



US00D751405S

(12) **United States Design Patent**
Hamilton

(10) **Patent No.:** **US D751,405 S**
(45) **Date of Patent:** **** Mar. 15, 2016**

(54) **BOTTLE**

(71) Applicant: **KLEAR SOLUTIONS**, Carson City, NV (US)

(72) Inventor: **Patricia Hamilton**, Danville, CA (US)

(73) Assignee: **KLEAR SOLUTIONS**, Carson City, NV (US)

(**) Term: **14 Years**

(21) Appl. No.: **29/453,035**

(22) Filed: **Apr. 24, 2013**

(51) **LOC (10) Cl.** **09-01**

(52) **U.S. Cl.**
USPC **D9/500**

(58) **Field of Classification Search**
USPC D9/500-505, 516, 530, 537, 539-540,
D9/544-545, 549, 558, 682, 685-686,
D9/688-691; D7/300, 300.1, 598;
D24/224; D27/162; 215/379, 381-382;
220/660, 669, 675
CPC B65D 1/00; B65D 1/02; B65D 1/0223;
B65D 23/00
See application file for complete search history.

(56) **References Cited**

U.S. PATENT DOCUMENTS

D37,907 S * 3/1906 Newell D9/500
D80,793 S * 3/1930 Kositchek D19/66

D117,266 S * 10/1939 Gerhart D9/500
D229,918 S * 1/1974 Schessel D7/597
D264,937 S * 6/1982 Groark D9/500
D268,009 S * 2/1983 Hirsh D9/504
D345,114 S * 3/1994 Puls D10/101
D359,688 S * 6/1995 Rosen D9/504
D415,797 S * 10/1999 Wright et al. D19/66
D485,885 S * 1/2004 Bonelli et al. D23/207
D577,126 S * 9/2008 Woeste D24/224
D736,644 S * 8/2015 Hamilton D27/162

FOREIGN PATENT DOCUMENTS

WO DM/063942 * 7/2003

* cited by examiner

Primary Examiner — Dana L Meyrow

(74) *Attorney, Agent, or Firm* — Gerald R Prettyman

(57) **CLAIM**

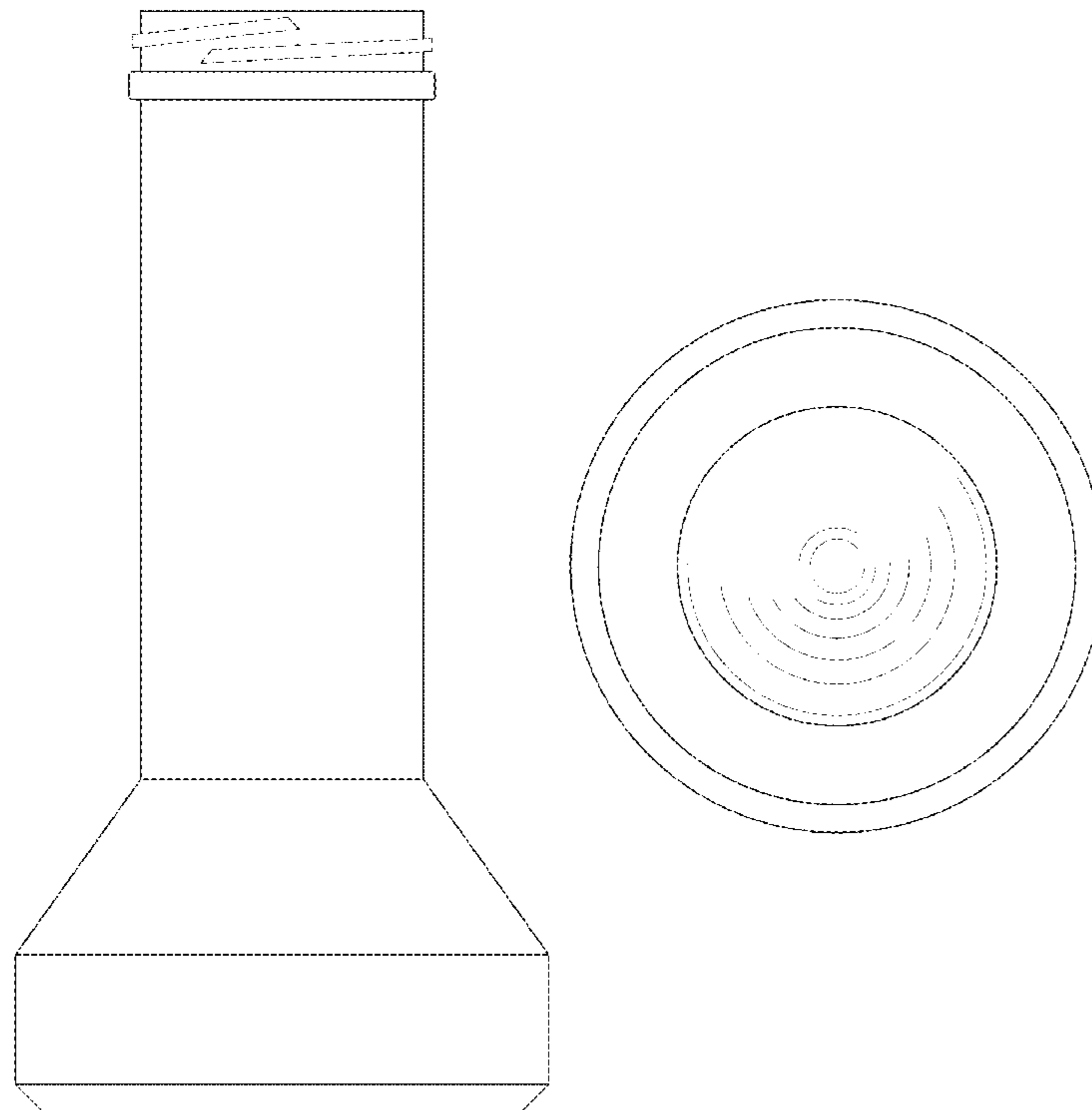
The ornamental design for a bottle, as shown and described.

DESCRIPTION

FIG. 1 is a front elevation view of a bottle showing my new design, the rear elevation view being identical;
FIG. 2 is a top plan view thereof;
FIG. 3 is a bottom plan view thereof; and,
FIG. 4 is a sliced section view taken along the line 4-4 of FIG. 2.

Broken lines are included to show unclaimed subject matter only and form no part of the claimed design.
The claimed bottle is used for storing cleaning fluids and cleaning small parts within.

1 Claim, 4 Drawing Sheets



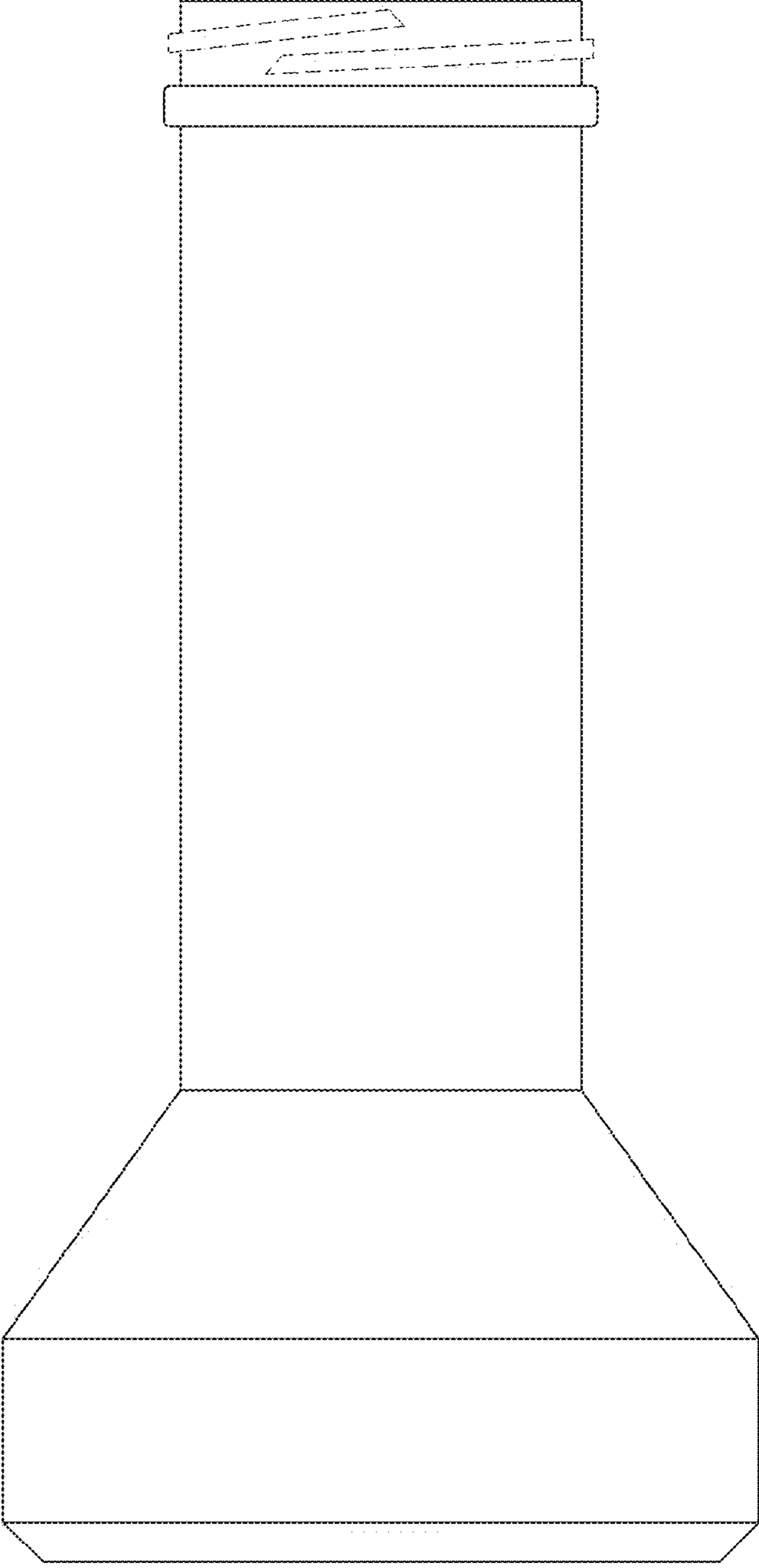


FIG. 1

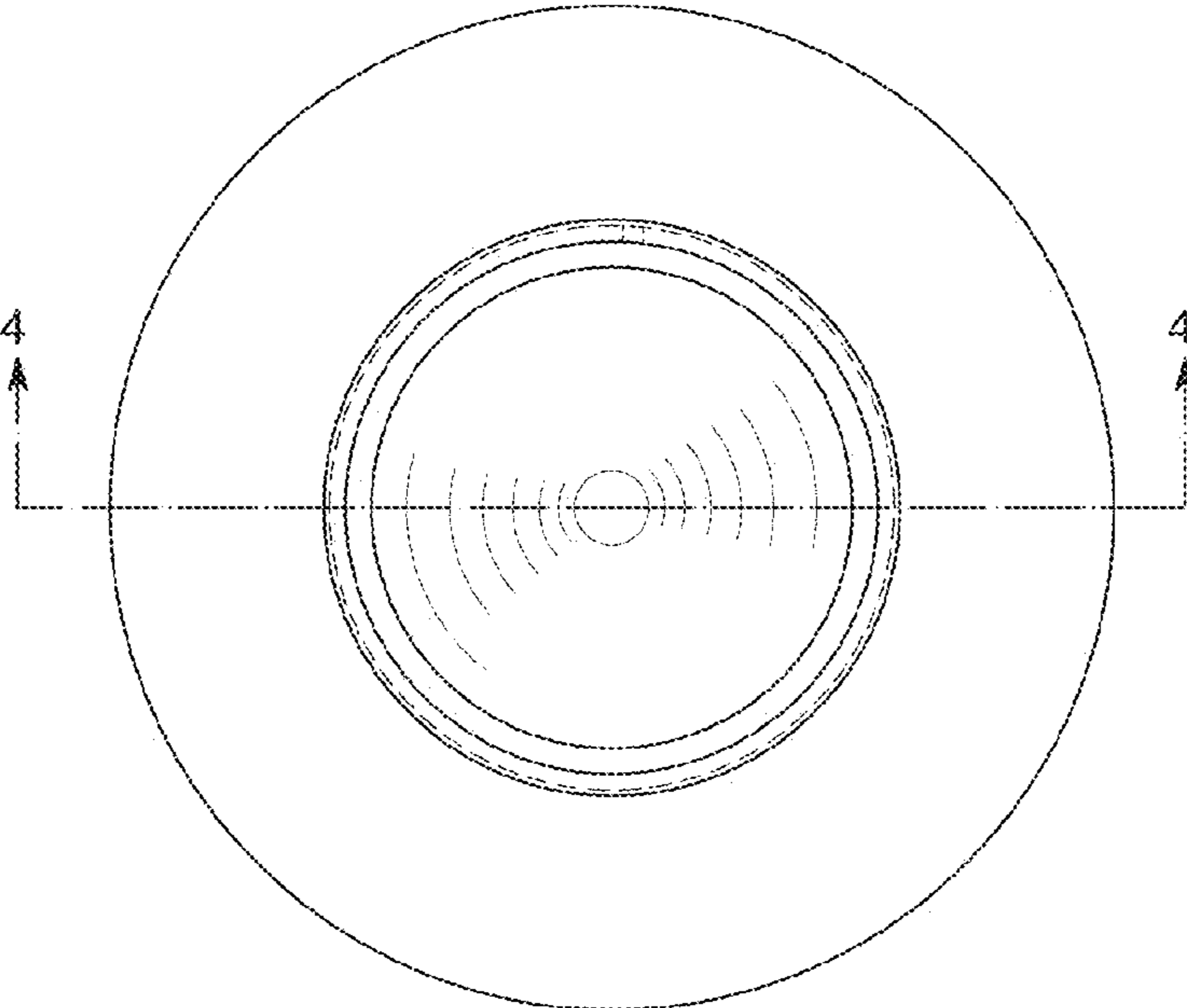


FIG. 2

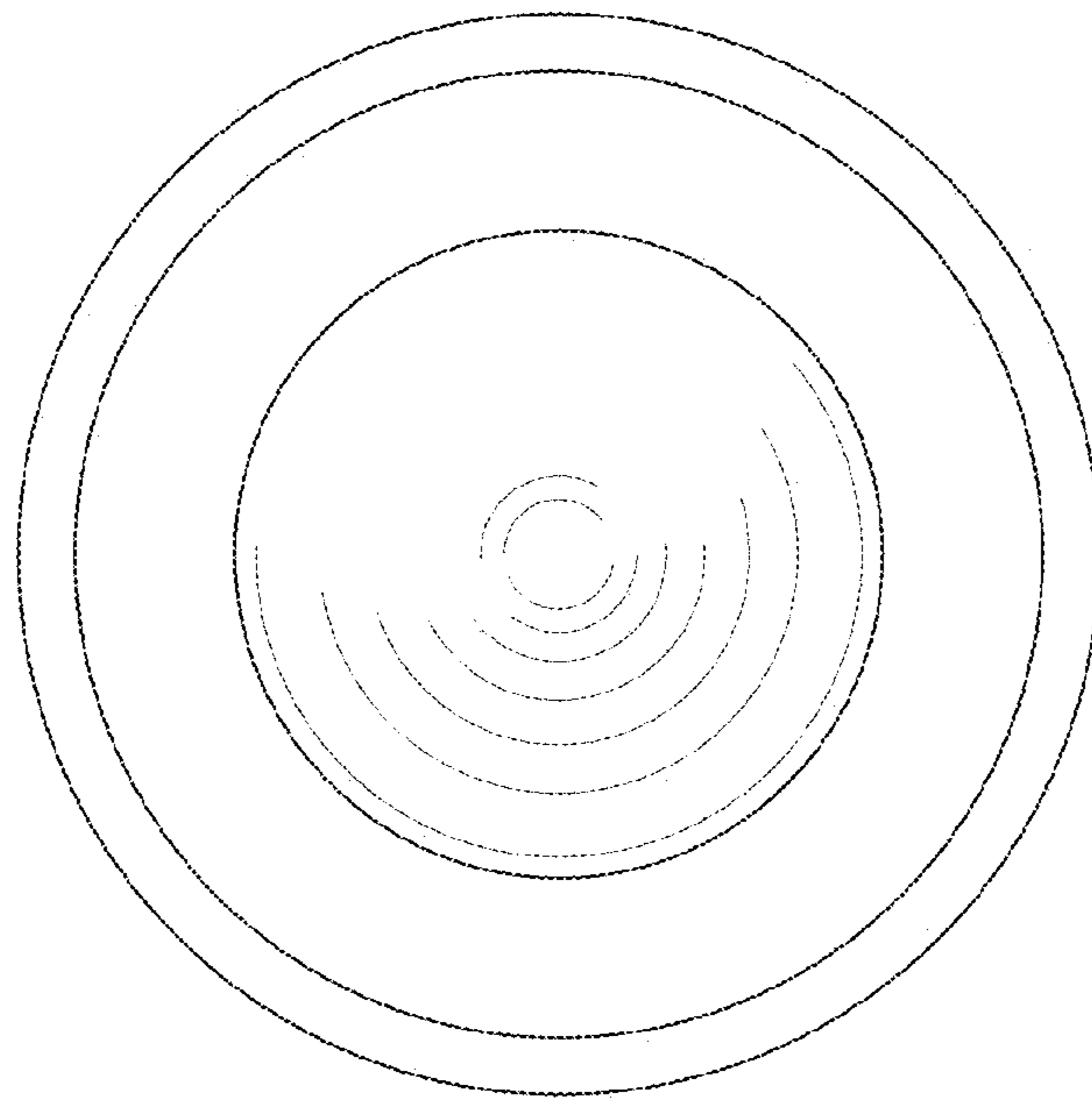


FIG. 3

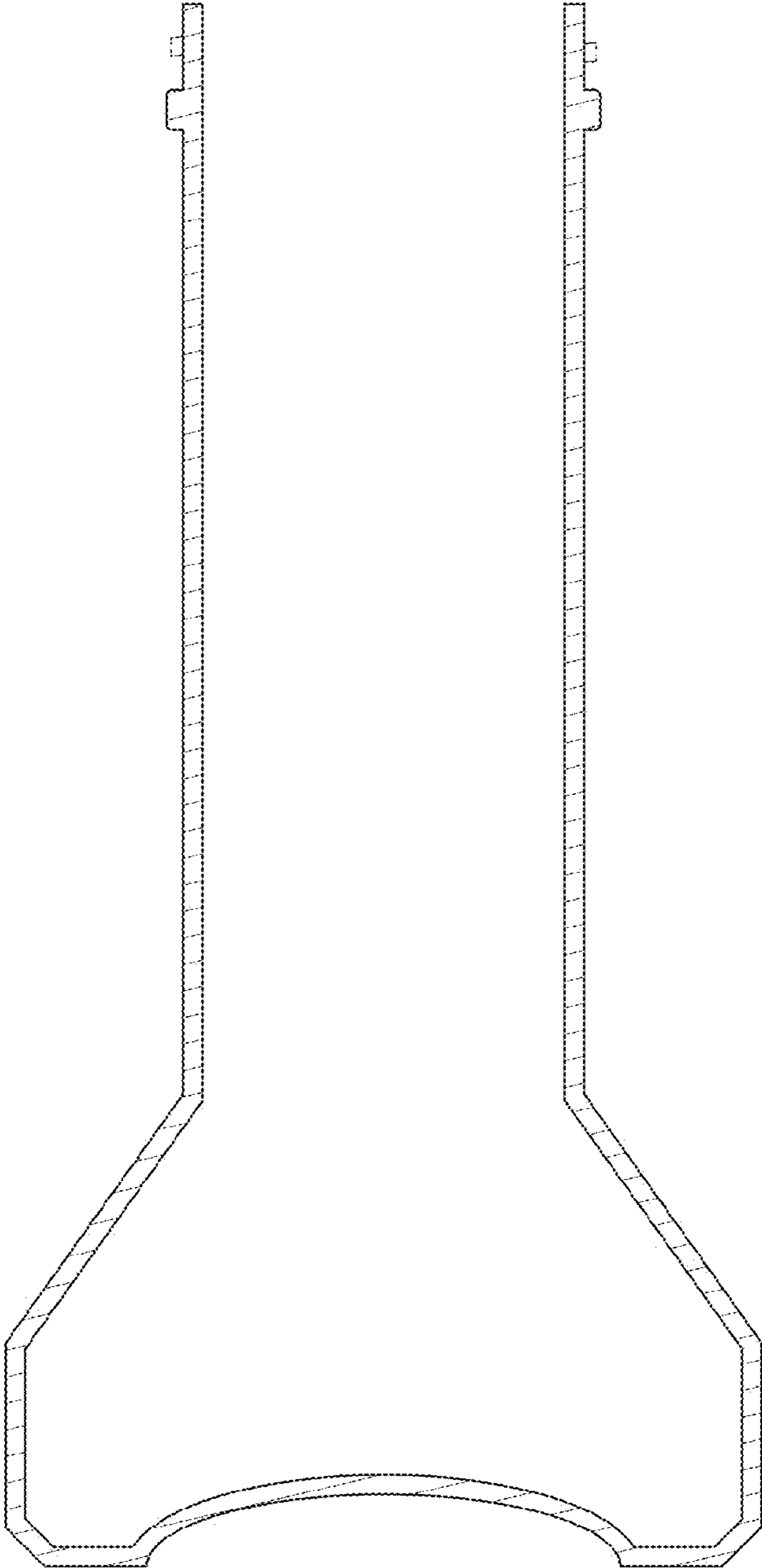


FIG. 4