



US00D751401S

(12) **United States Design Patent**
Kuo et al.

(10) **Patent No.:** **US D751,401 S**
(45) **Date of Patent:** **** Mar. 15, 2016**

(54) **INNER PACKING ELEMENT OF BOX**

(71) Applicant: **GOLDEN ARROW PRINTING CO., LTD.**, New Taipei (TW)

(72) Inventors: **Chien-Kuan Kuo**, New Taipei (TW);
Chun-Huang Huang, New Taipei (TW)

(73) Assignee: **GOLDEN ARROW PRINTING CO., LTD.**, New Taipei (TW)

(**) Term: **14 Years**

(21) Appl. No.: **29/512,665**

(22) Filed: **Dec. 22, 2014**

(51) **LOC (10) Cl.** **09-03**

(52) **U.S. Cl.**
USPC **D9/456; D9/432**

(58) **Field of Classification Search**
USPC D3/272, 273, 302, 304, 309, 310, 313,
D3/315, 319, 901; D6/512, 515-525;
D7/552.1, 553.2, 554.1, 602; D9/414,
D9/418, 420-424, 427, 430-435, 455, 456,
D9/517, 737, 738, 739, 740, 741, 744,
D9/745; D14/248, 251, 253; D19/1, 27;
206/145, 151, 159, 160, 161, 164, 199,
206/200, 206, 216, 267, 269, 270, 273, 299,
206/427, 430, 503, 509, 737, 740, 821,
206/822; 220/23.83, 353, 908, 909, 910;
229/100, 101, 103, 106, 108-112;
232/43.2; 294/87.2, 87.28, 159
CPC B65D 1/243; B65D 2501/24019;
B65D 2501/24165; B65D 2501/24152; B65D
11/18; B65D 85/30; B65D 85/32; B65B 1/04
See application file for complete search history.

(56) **References Cited**

U.S. PATENT DOCUMENTS

D254,897 S * 5/1980 Jonas D19/26
D306,699 S * 3/1990 Michau D9/432
D438,792 S * 3/2001 Pero D9/715

D439,049 S * 3/2001 Koefeld D3/304
6,502,698 B1 * 1/2003 McKenna B65D 5/0015
206/509
D511,918 S * 11/2005 Miller D6/518
D511,942 S * 11/2005 Laib D7/602
D512,273 S * 12/2005 Laib D7/602
D589,798 S * 4/2009 Liipola D9/456
D628,801 S * 12/2010 Talbot Pouliot D3/304
D631,741 S * 2/2011 Hubbard, Jr. D9/431
D661,188 S * 6/2012 Fahy D9/456
D661,189 S * 6/2012 Fahy D9/456
D667,301 S * 9/2012 Jones D9/456
D676,321 S * 2/2013 Jones D9/456
D693,215 S * 11/2013 Sill D9/418
D702,126 S * 4/2014 Marchetti D9/456
D715,148 S * 10/2014 Kuo D9/456

(Continued)

Primary Examiner — Sheryl Lane

Assistant Examiner — Catherine Posthauer

(74) *Attorney, Agent, or Firm* — Chun-Ming Shih; HDLS
IPR Services

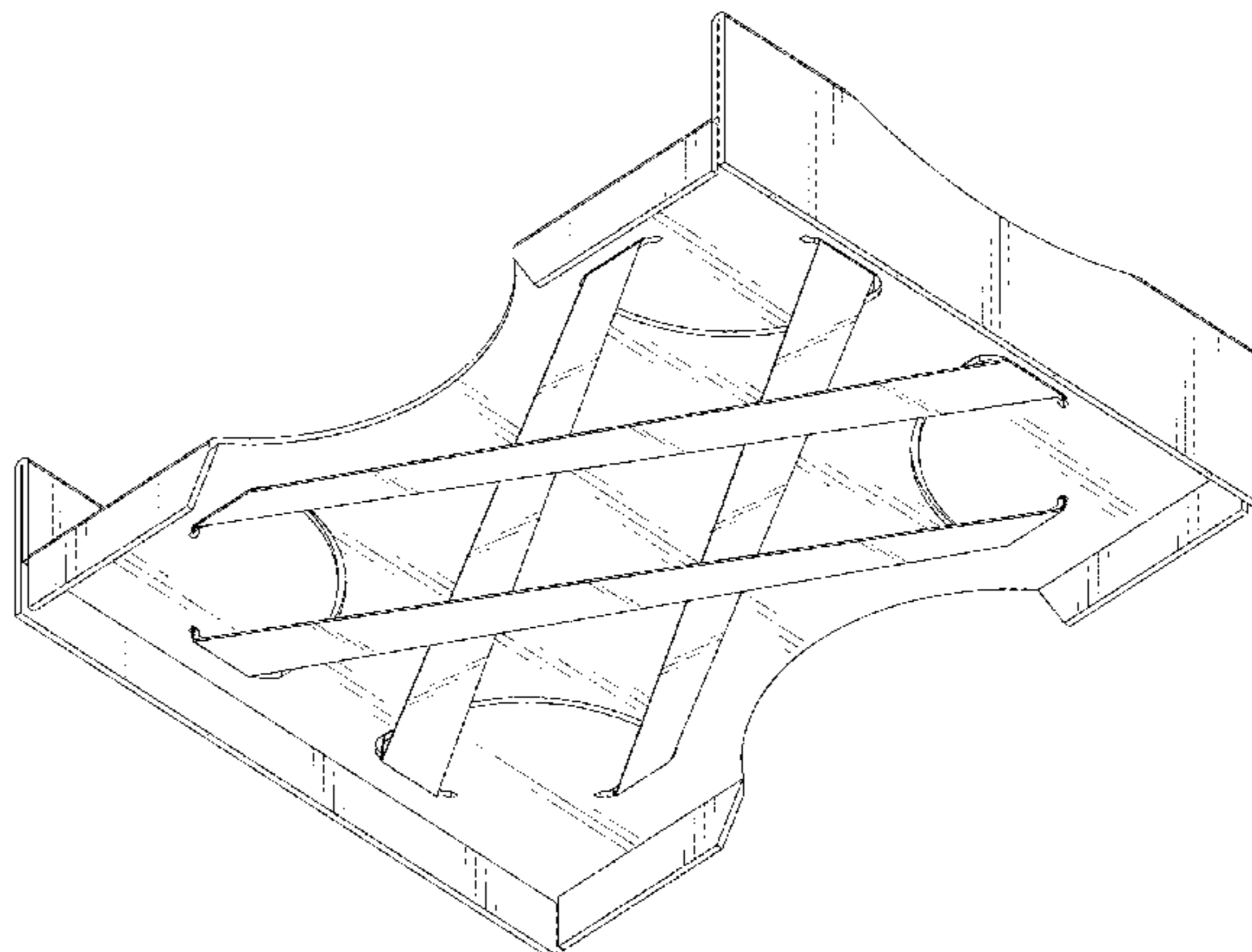
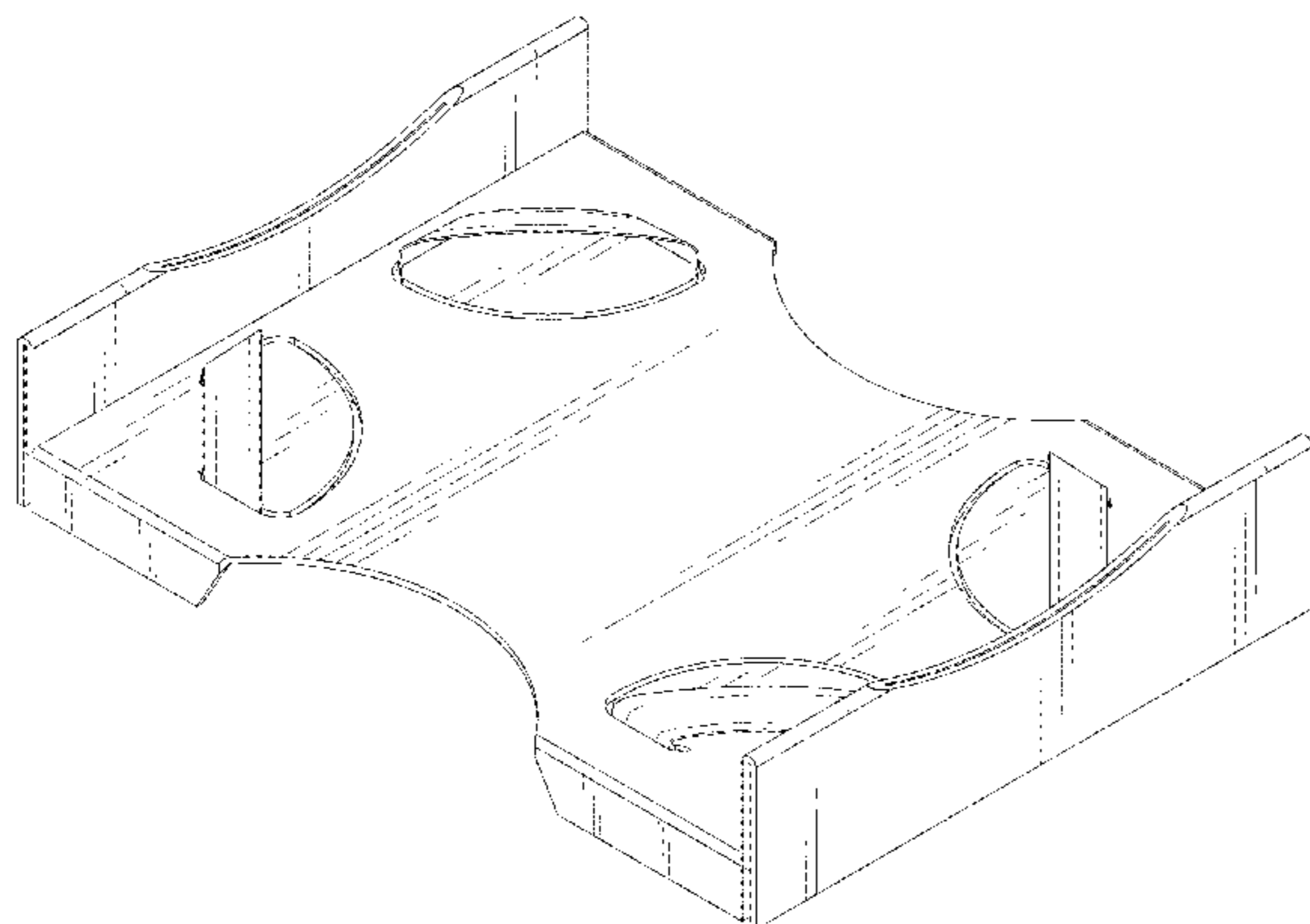
(57) **CLAIM**

The ornamental design for an inner packing element of box,
as shown and described.

DESCRIPTION

FIG. 1 is a perspective view of an inner packing element of
box showing our new design;
FIG. 2 is a front view thereof;
FIG. 3 is a rear view thereof;
FIG. 4 is a left side view thereof;
FIG. 5 is a right side view thereof;
FIG. 6 is a top view thereof;
FIG. 7 is a bottom view thereof; and
FIG. 8 is second perspective view showing the inner packing
element of box; and,
FIG. 9 is a perspective view showing the inner packing ele-
ment of box in use.
The broken lines shown in FIG. 9 represent environmental
subject matter and form no part of the claimed design.

1 Claim, 7 Drawing Sheets



US D751,401 S

Page 2

(56)

References Cited

U.S. PATENT DOCUMENTS

D720,614 S * 1/2015 Kim D9/432
D721,073 S * 1/2015 Alesi D14/253
D729,061 S * 5/2015 Rotonda D9/432

D729,621 S * 5/2015 Merrick D9/432
D745,430 S * 12/2015 McLennan D11/155
2013/0062241 A1* 3/2013 Blay Orega B65D 9/12
206/509

* cited by examiner

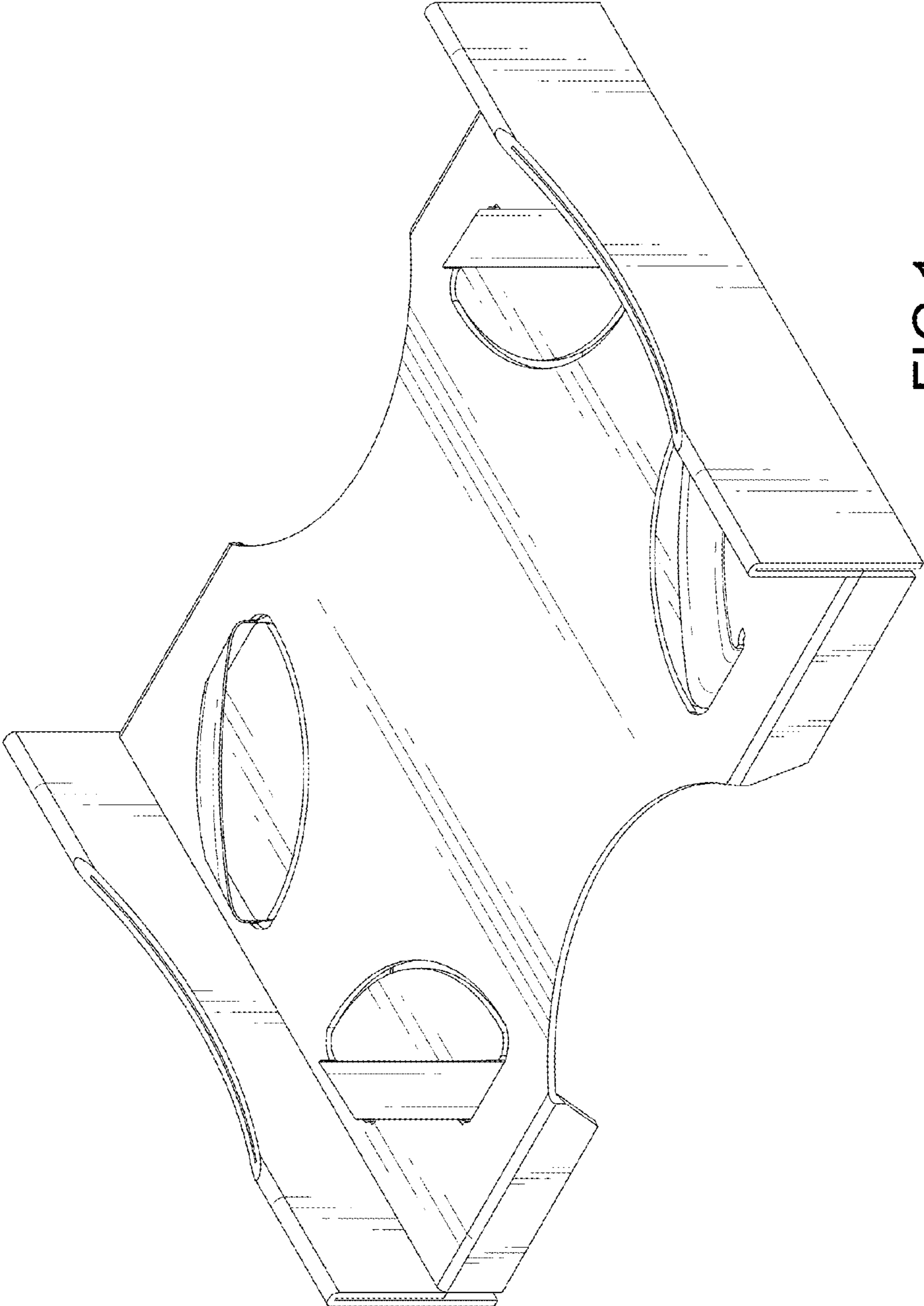


FIG.1

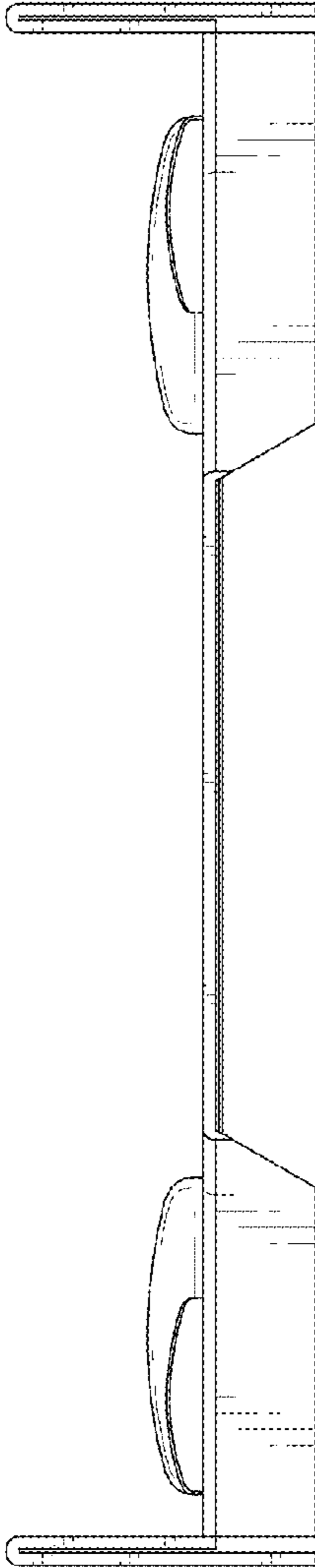


FIG. 2

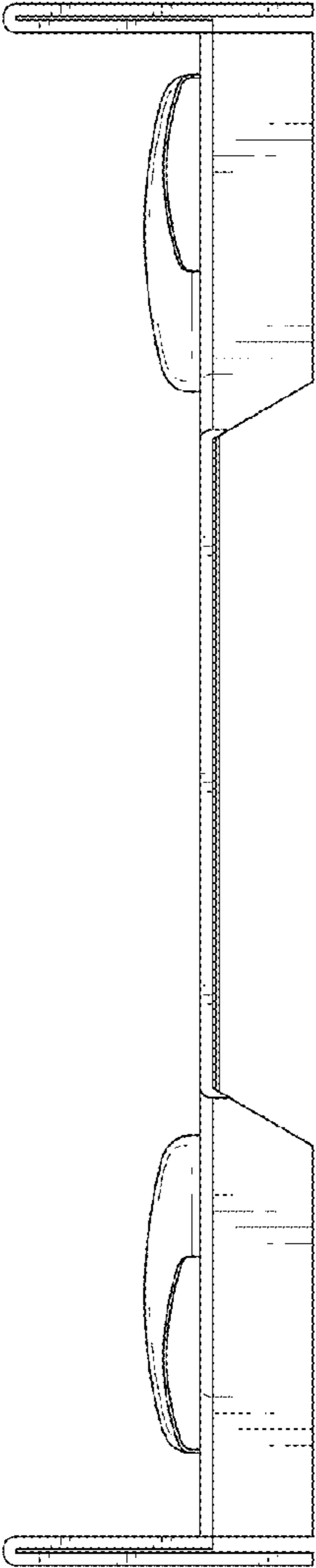


FIG. 3

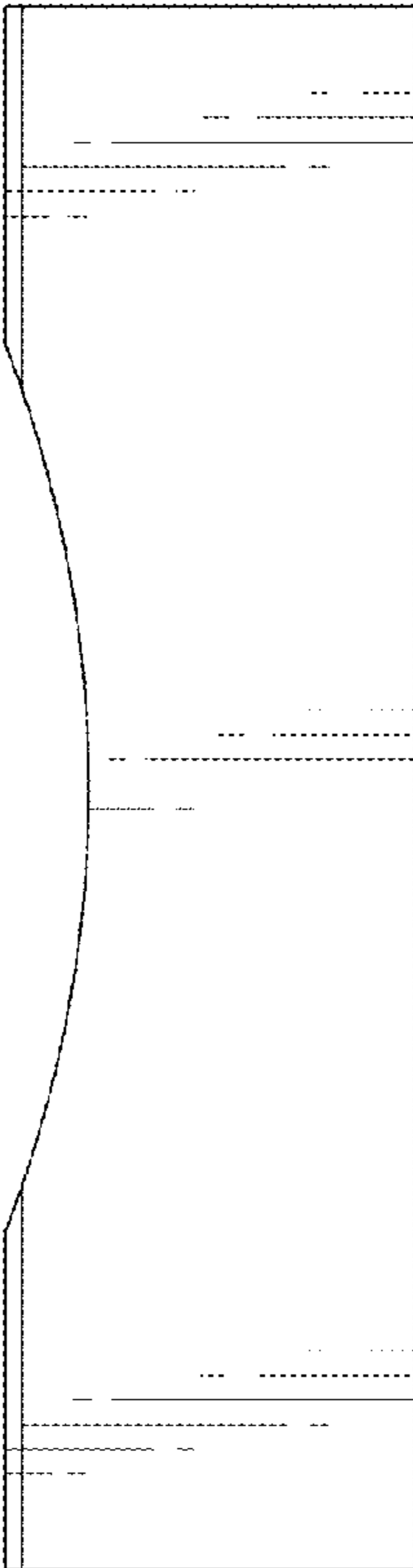


FIG.4

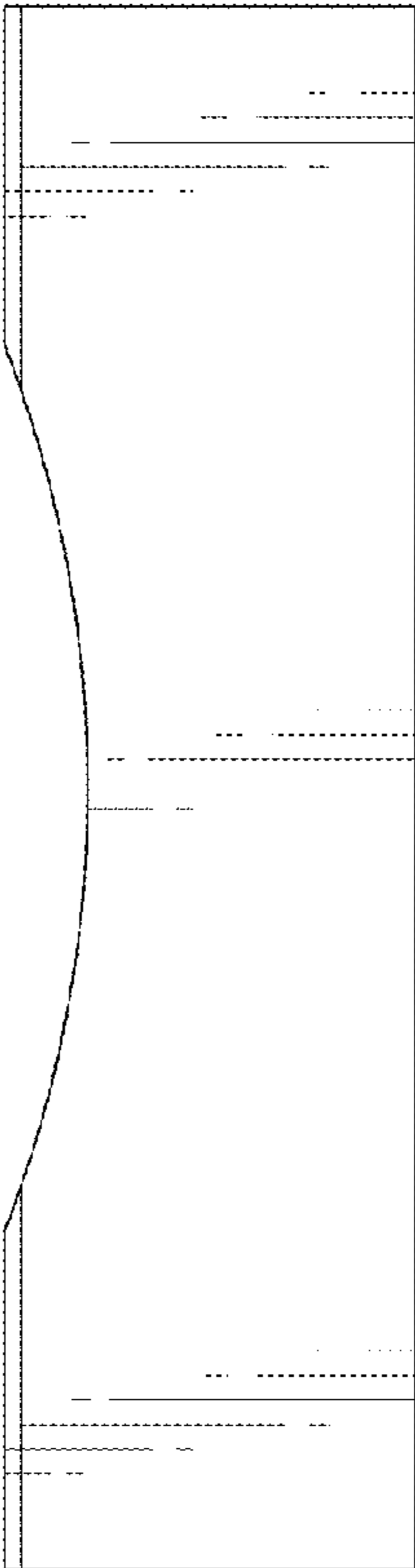


FIG.5

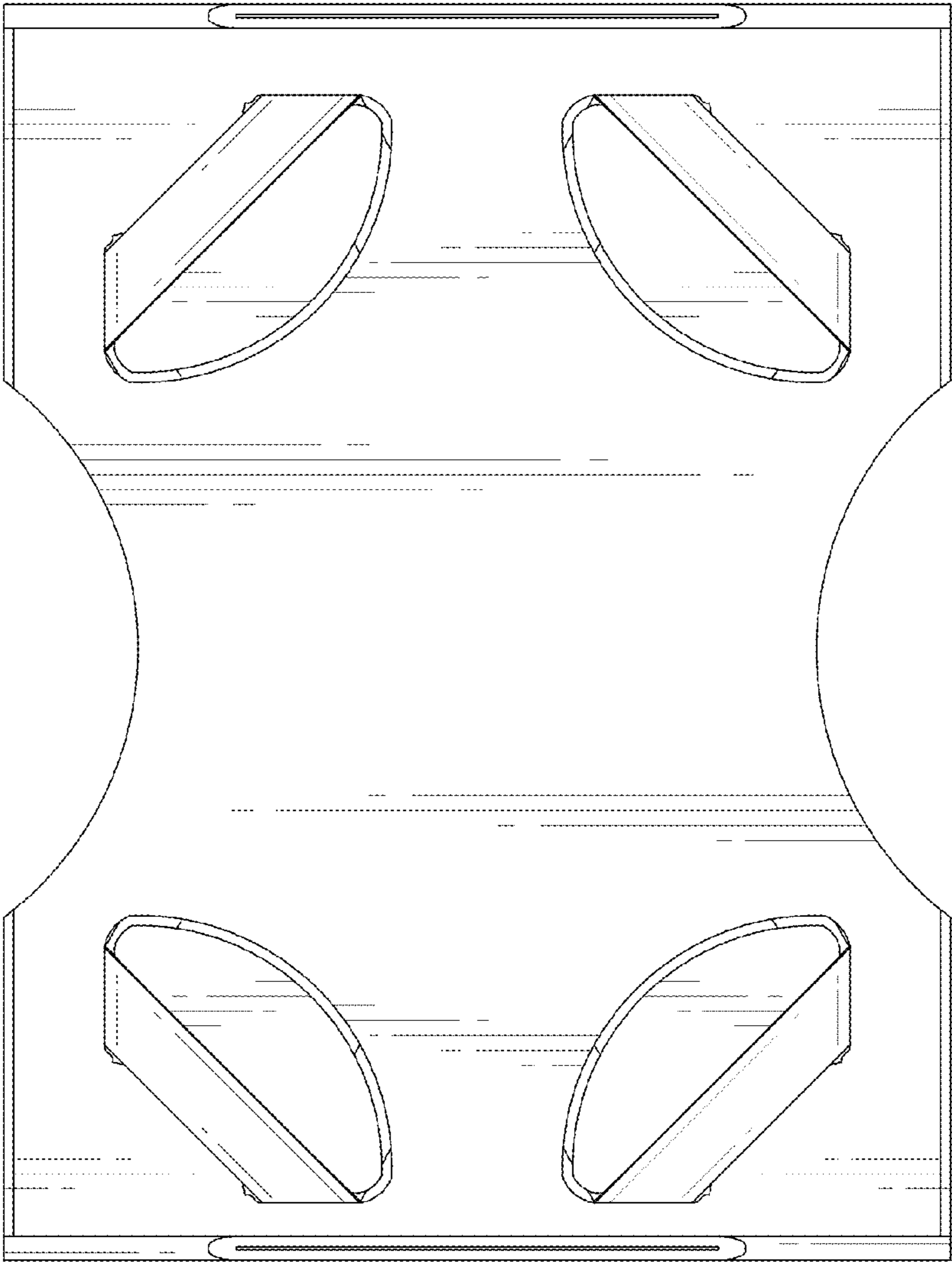


FIG.6

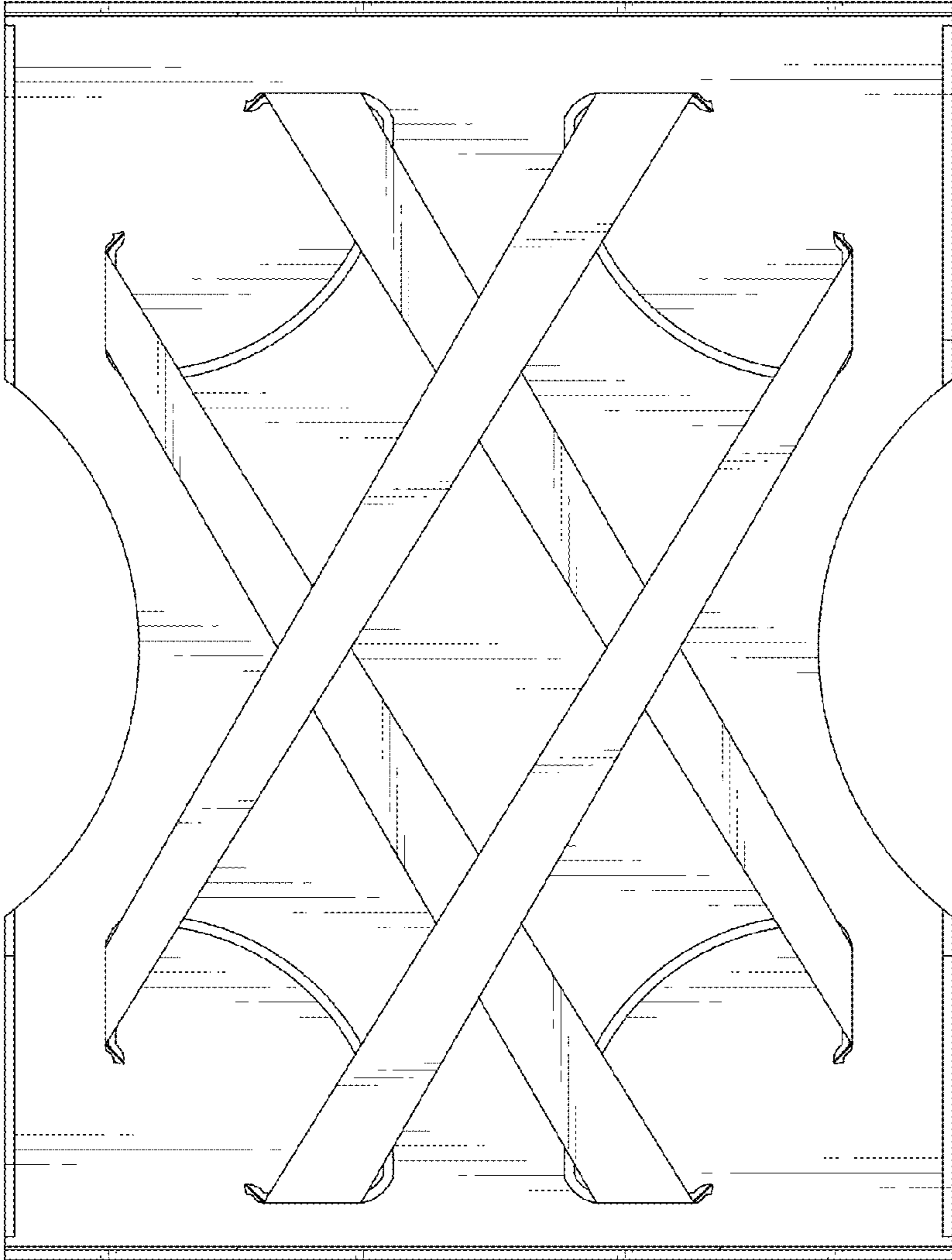


FIG.7

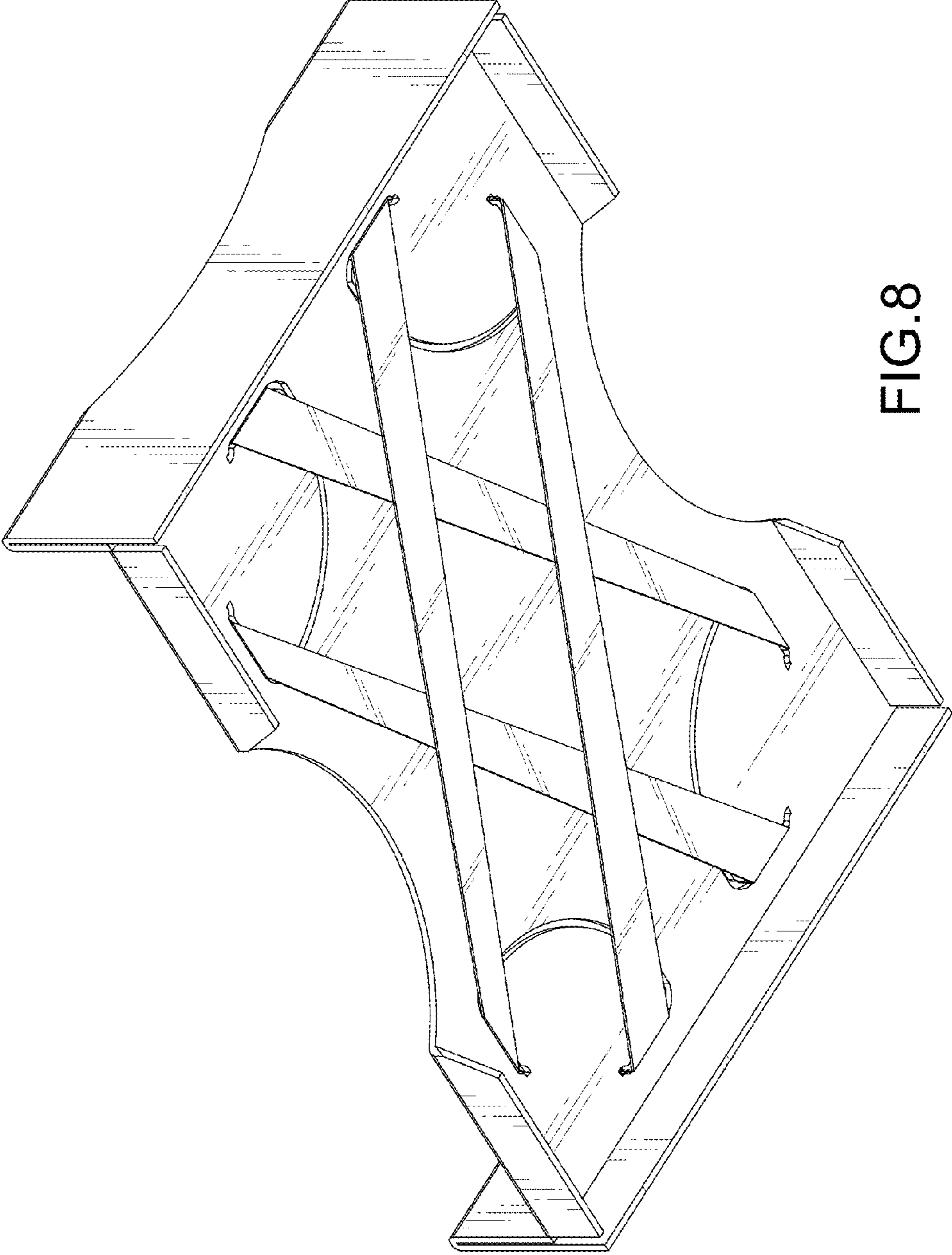


FIG.8

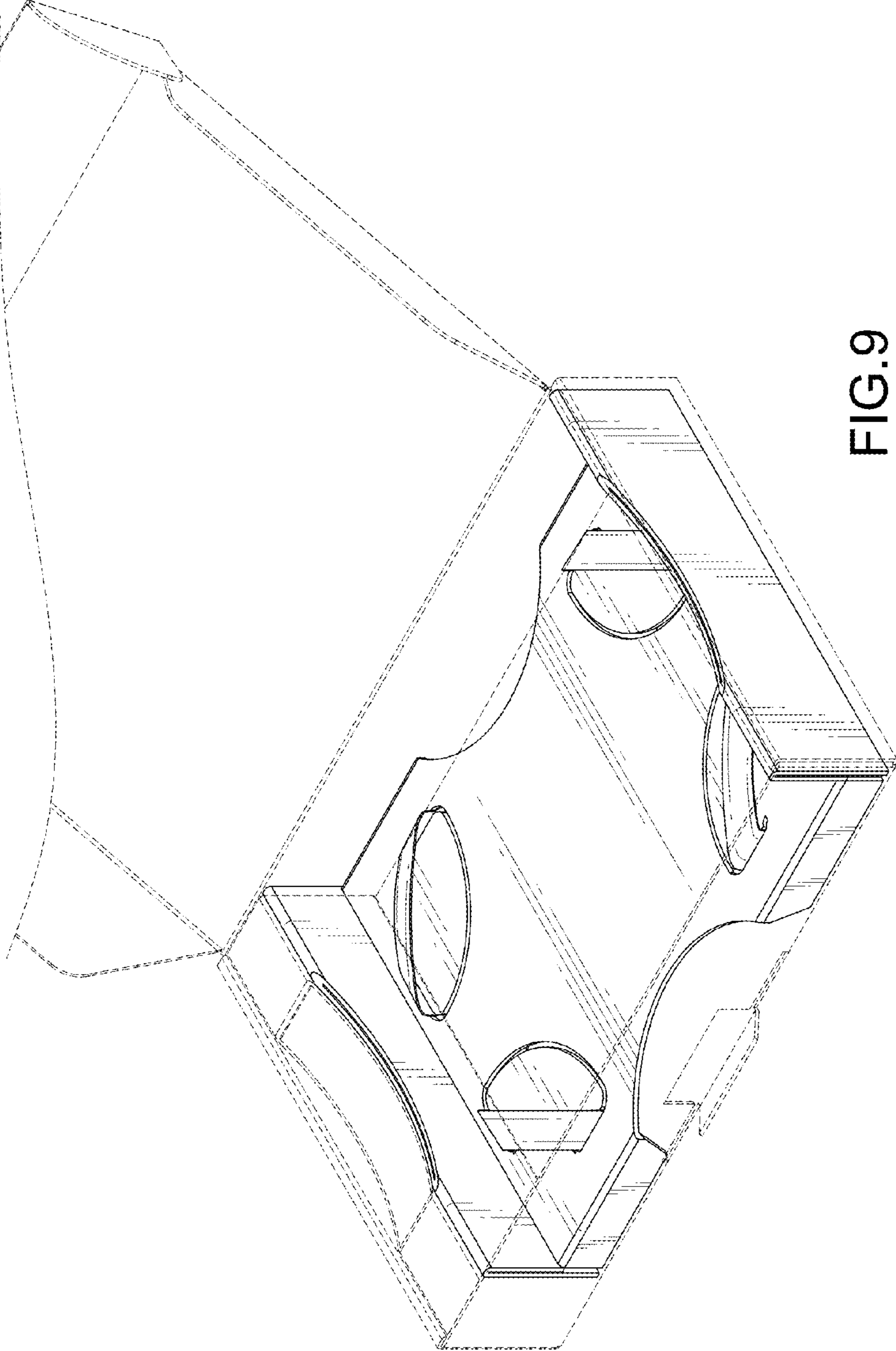


FIG.9