



US00D751400S

(12) **United States Design Patent**
Williams et al.

(10) **Patent No.:** **US D751,400 S**
(45) **Date of Patent:** **** Mar. 15, 2016**

- (54) **RECEPTACLE FOR INVERTED CONTAINERS**
- (71) Applicants: **Craig A. Williams**, Maumee, OH (US);
Bradley A. Spraw, Maumee, OH (US)
- (72) Inventors: **Craig A. Williams**, Maumee, OH (US);
Bradley A. Spraw, Maumee, OH (US)
- (73) Assignee: **Designetics, Inc.**, Holland, OH (US)
- (**) Term: **14 Years**
- (21) Appl. No.: **29/489,091**
- (22) Filed: **Apr. 25, 2014**
- (51) **LOC (10) Cl.** **09-07**
- (52) **U.S. Cl.**
USPC **D9/455**
- (58) **Field of Classification Search**
USPC D9/434, 455, 499; D3/328; D8/373;
220/735, 737; 248/346.03
CPC E04C 5/16; E04C 5/165; F16B 7/04;
F16L 21/02; A47G 2/023; A47G 23/0216
See application file for complete search history.

(56) **References Cited**

U.S. PATENT DOCUMENTS

- 1,535,294 A * 4/1925 Collins F16L 21/04
285/368
- 2,470,154 A * 5/1949 Fitzgerald A47G 23/0241
248/141
- 2,951,668 A * 9/1960 Peterka A47G 1/215
248/466
- 4,627,414 A * 12/1986 Chazin A47G 23/0241
126/214 D
- D300,495 S * 4/1989 Minuti D7/608
- D310,155 S * 8/1990 deNevers D7/603
- 5,120,153 A * 6/1992 Valls F16L 21/03
285/231
- D330,487 S * 10/1992 Hoelterscheidt D7/603
- 5,224,245 A * 7/1993 Matoba F16G 11/10
241/115 G

- 5,772,069 A * 6/1998 Price A47G 23/0216
220/737
- D419,392 S * 1/2000 Schlebusch D7/619.1
- D476,568 S * 7/2003 Mechtold D24/120
- 7,611,114 B1 * 11/2009 Griffin A45F 5/00
220/737
- 7,694,841 B2 * 4/2010 Hattori B01F 7/1605
220/605
- 2010/0025991 A1 * 2/2010 Kim F16L 19/061
285/370
- 2010/0260540 A1 * 10/2010 Church E21B 17/04
403/305
- 2013/0154259 A1 * 6/2013 Chiproot F16L 21/022
285/337

* cited by examiner

Primary Examiner — Robert M Spear

(74) *Attorney, Agent, or Firm* — Donald K. Wedding

(57) **CLAIM**

The ornamental design for a receptacle for inverted containers, as shown and described.

DESCRIPTION

FIG. 1 is a perspective view of our ornamental design for a receptacle for inverted containers.

FIG. 2 is an alternate perspective view of our ornamental design for a receptacle for inverted containers.

FIG. 3 is a top view of our design shown in FIG. 1.

FIG. 4 is a side plan view of our design shown in FIG. 1.

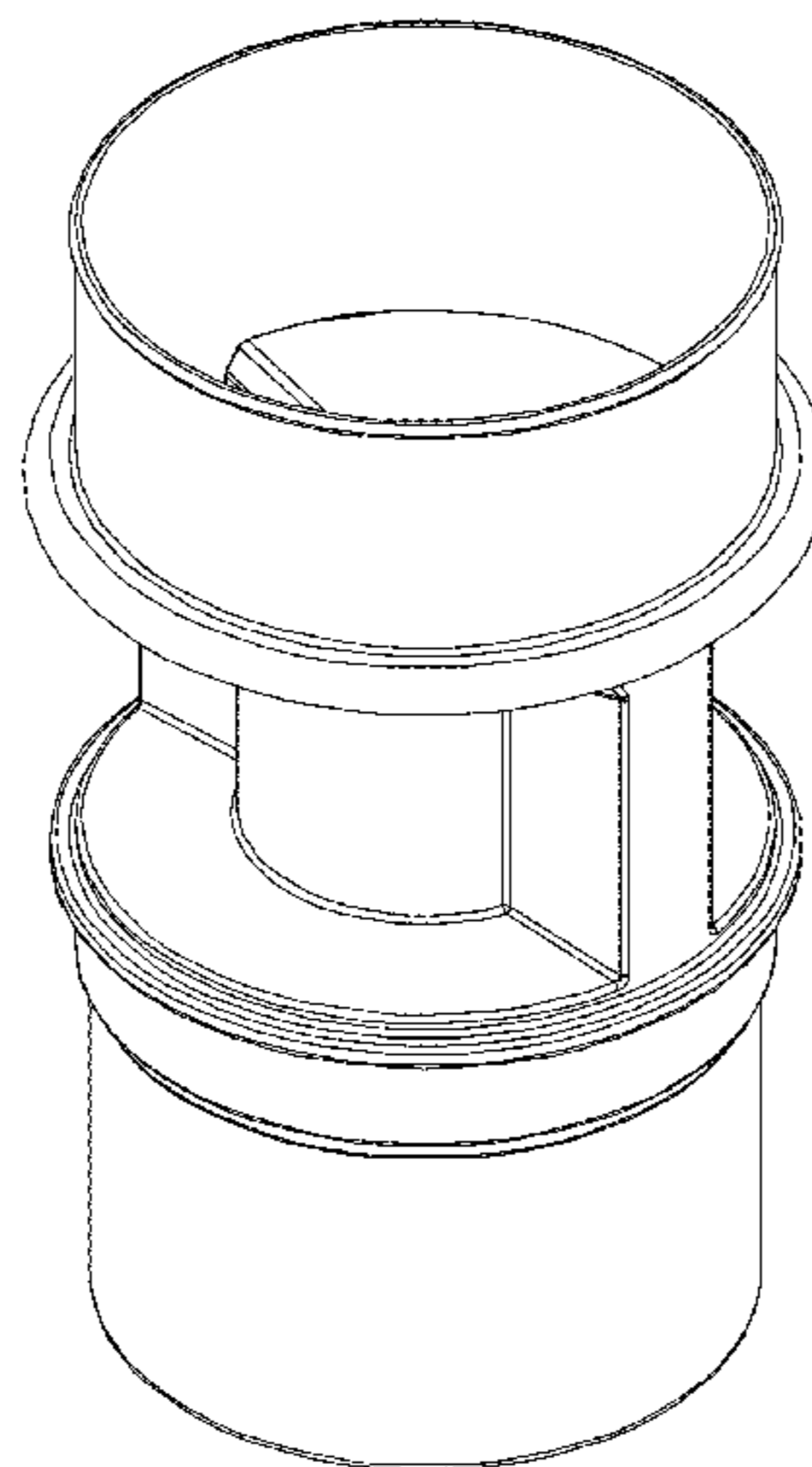
FIG. 5 is a front view of our design shown in FIG. 1, the back view being identical to the front view; and,

FIG. 6 is a bottom view of our design shown in FIG. 1.

The broken lines in the drawings represent unclaimed environmental subject matter and form no part of the claim.

A receptacle for inverted containers for holding and supporting an inverted container such as a bottle containing a fluid with an applicator tip for dispensing fluid onto a surface. The container with the applicator tip is placed upside down into the receptacle for inverted containers when not being used for dispensing the fluid.

1 Claim, 3 Drawing Sheets



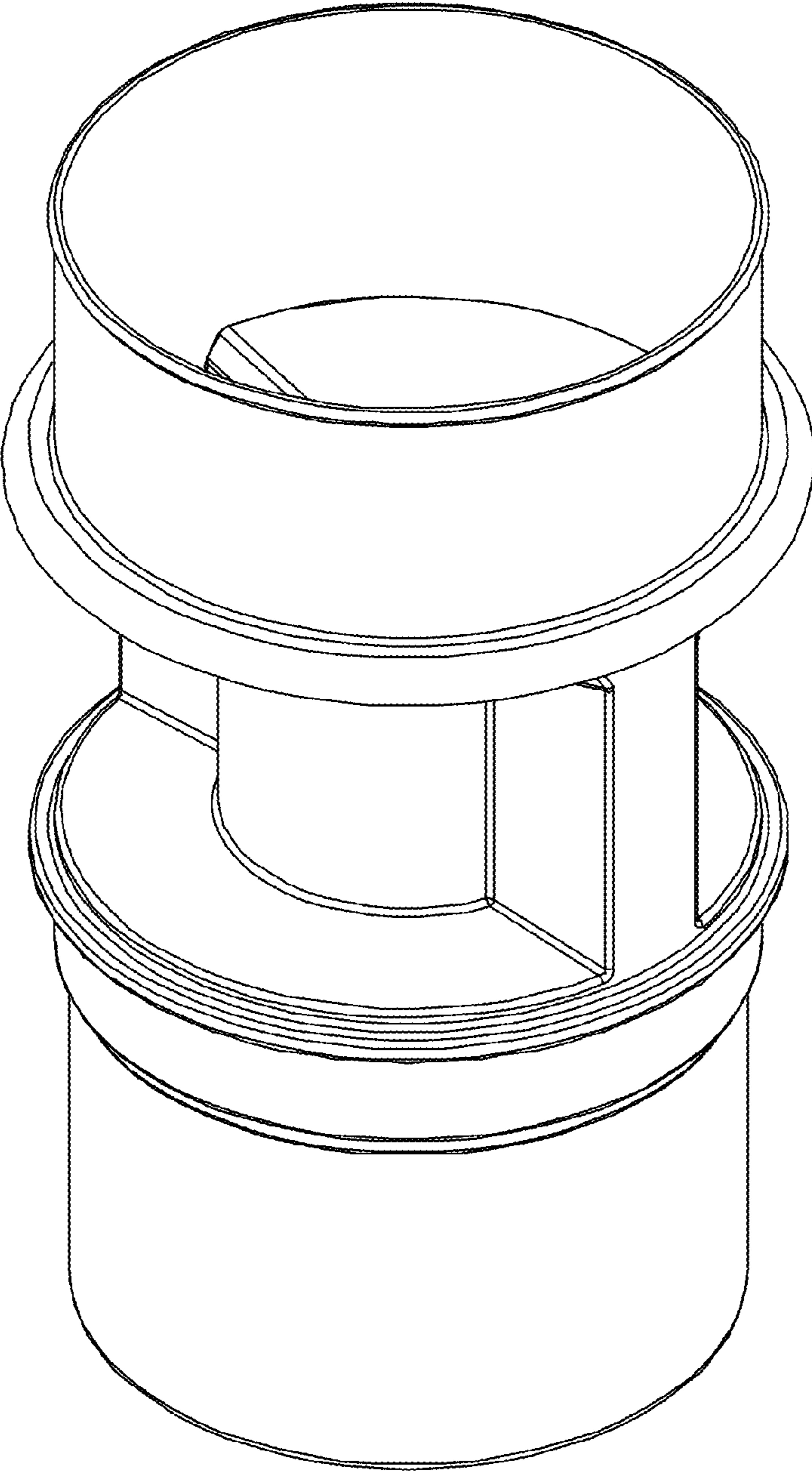


FIG. 1

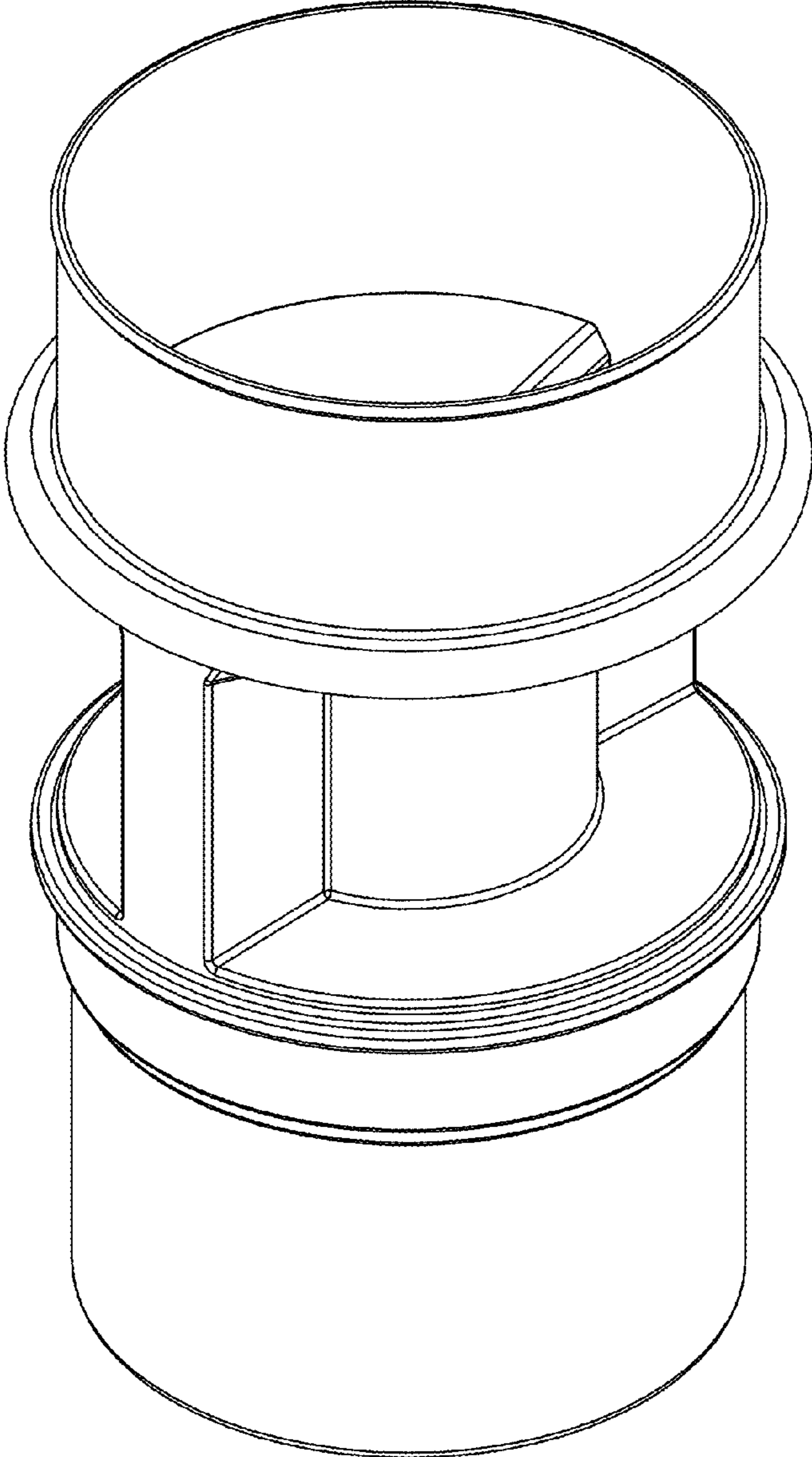


FIG. 2

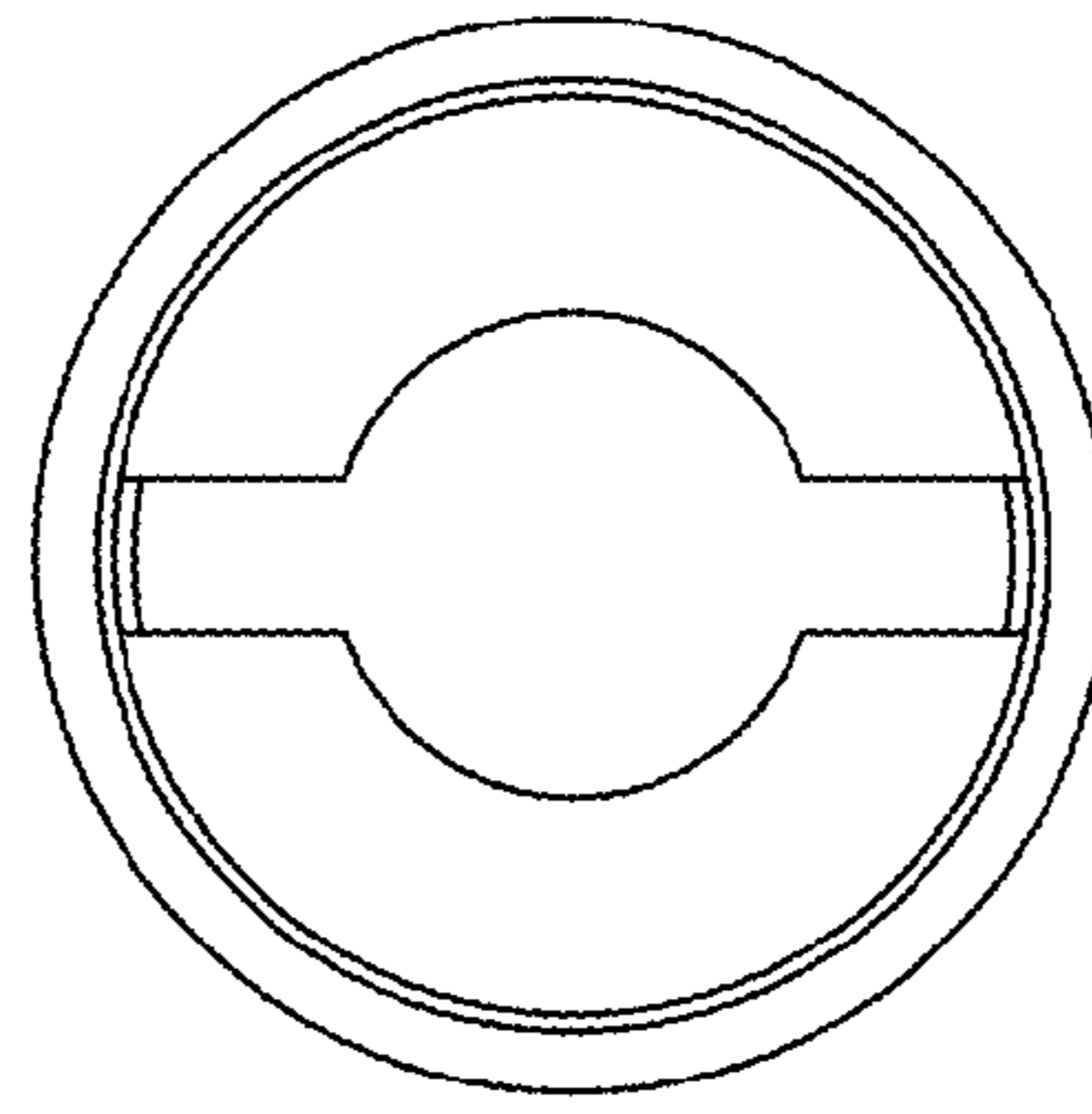


FIG. 3

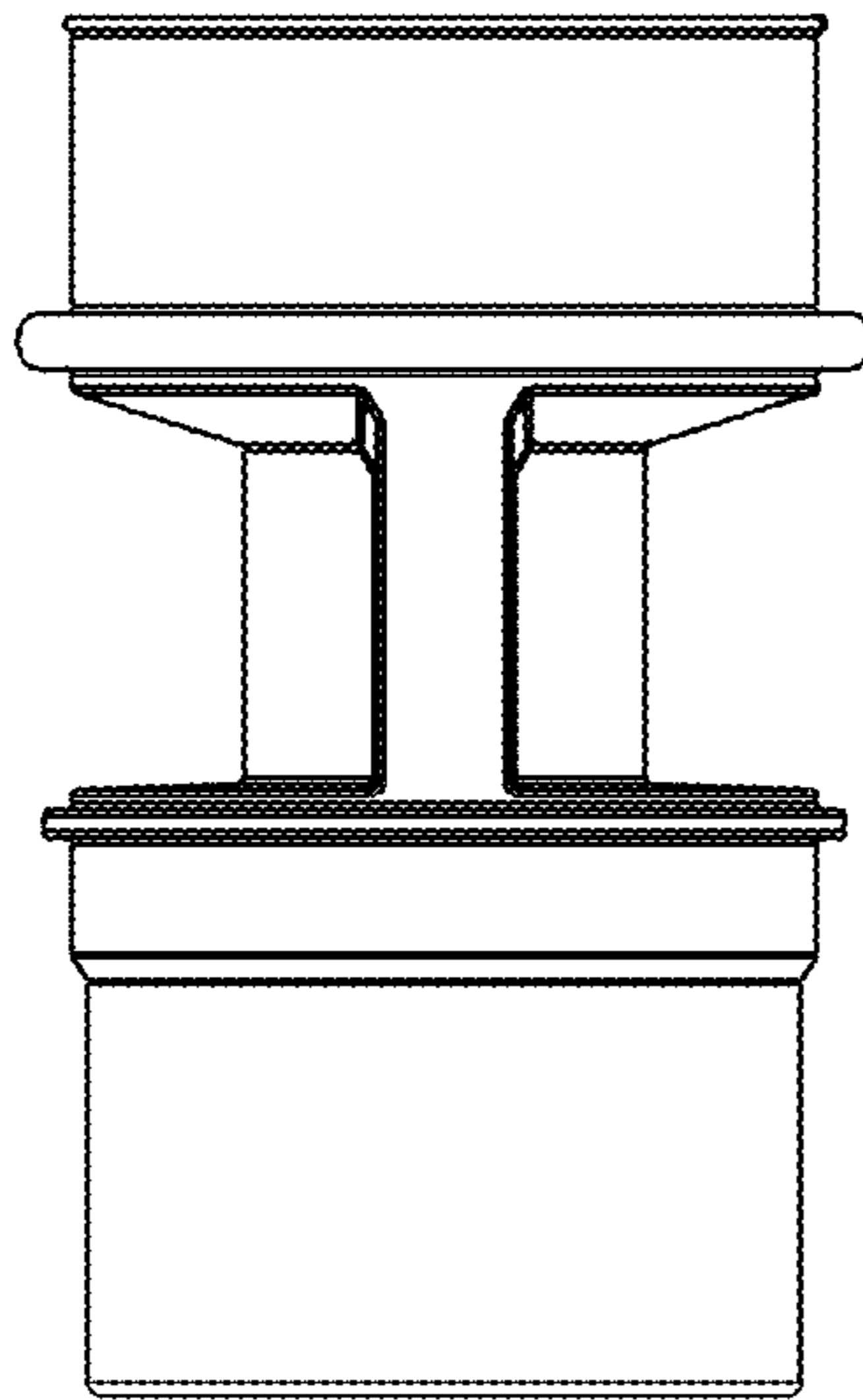


FIG. 4

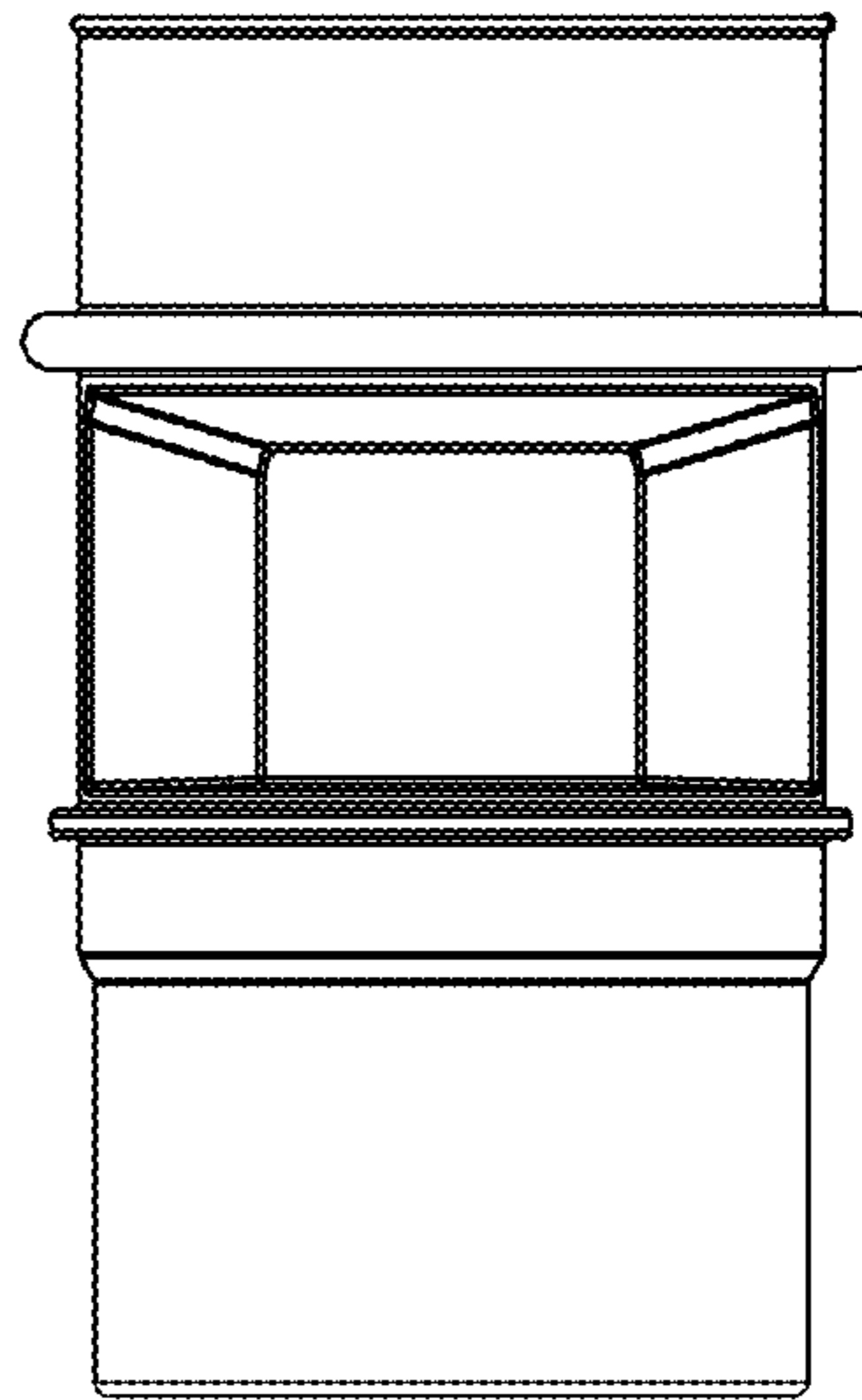


FIG. 5

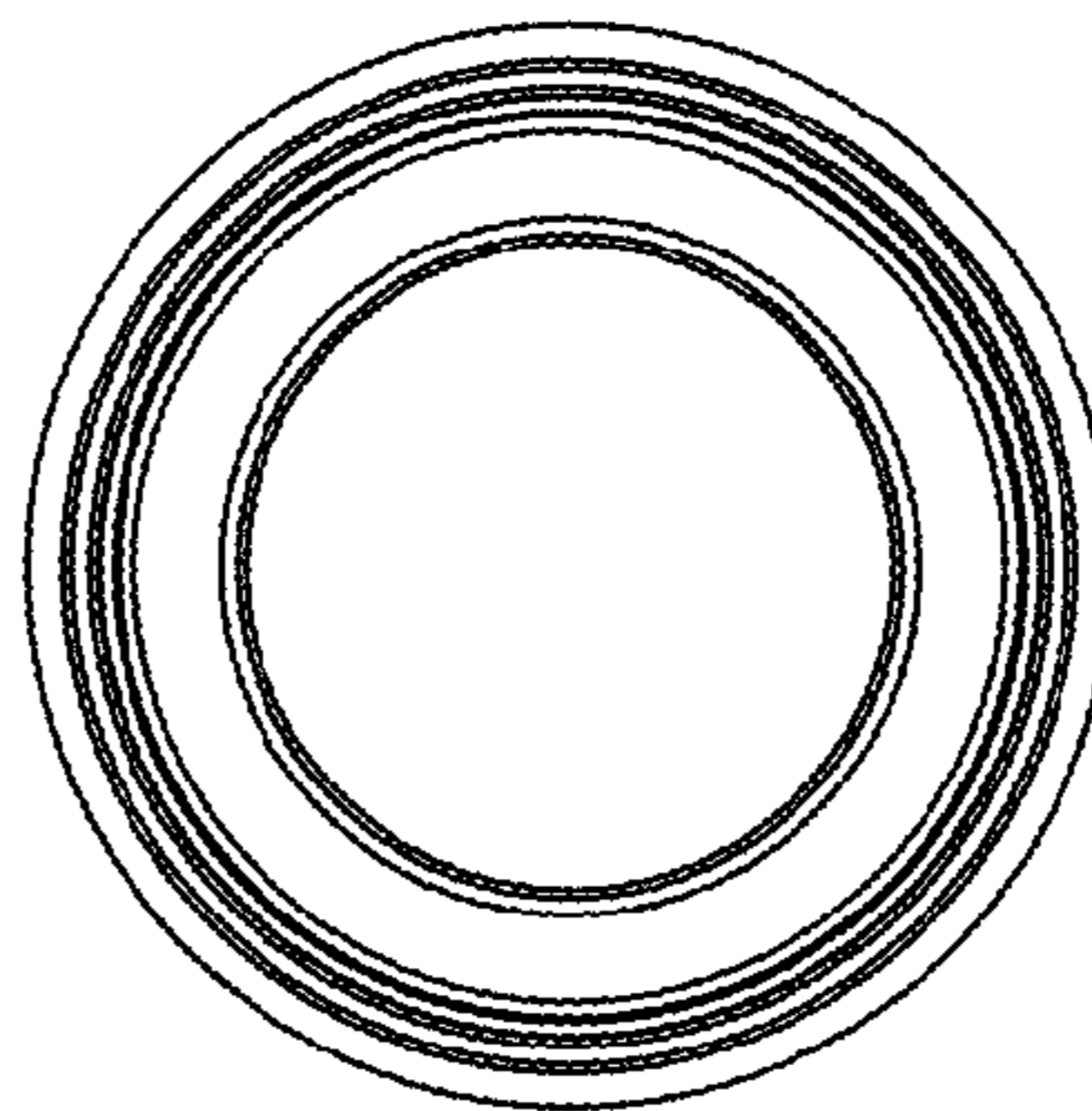


FIG. 6