



US00D751399S

(12) **United States Design Patent**
Lynd et al.

(10) **Patent No.:** **US D751,399 S**
(45) **Date of Patent:** **** Mar. 15, 2016**

(54) **CONTAINER COVER**

(71) Applicant: **Partners In Packaging, LLC**, Granville, OH (US)

(72) Inventors: **L. Grant Lynd**, Granville, OH (US);
Robert Heath, Granville, OH (US)

(73) Assignee: **Partners In Packaging, LLC**, Granville, OH (US)

(**) Term: **14 Years**

(21) Appl. No.: **29/502,620**

(22) Filed: **Sep. 18, 2014**

(51) **LOC (10) Cl.** **09-07**

(52) **U.S. Cl.**
USPC **D9/454**

(58) **Field of Classification Search**
USPC D7/300, 300.1, 300.2, 303, 313, 317,
D7/602, 387, 509, 510, 511, 538; D9/434,
D9/435, 436, 439, 440, 441, 442, 443, 444,
D9/445, 446, 447, 448, 449, 450, 451, 452,
D9/453, 454, 499, 437, 438; D3/203.2,
D3/202

CPC B65D 41/26; B65D 41/32; B65D 59/06;
B65D 47/0814; B65D 47/2031; B65D 51/249;
B65D 2251/1066; B65D 41/02; B65D 23/00;
B65D 39/08; B67D 3/0032; A47G 19/26;
A47G 19/2266; B65F 1/14

See application file for complete search history.

(56) **References Cited**

U.S. PATENT DOCUMENTS

D23,144 S 12/1893 Johnson
D42,042 S 12/1911 Edlund
D86,816 S * 4/1932 Von Till D9/453

D172,869 S 8/1954 Du Pree
3,315,830 A 4/1967 Flynn
D209,789 S 1/1968 Huston
D227,749 S 7/1973 Plummer

(Continued)

FOREIGN PATENT DOCUMENTS

CA 114304 10/2007
JP D1463249 2/2013
KR 300609073.0001 8/2011

OTHER PUBLICATIONS

Red and Orange Peppers In A Glass Bottle for Decoration Over White Background Isolated, A Lot of Copyspace Available, Announced Dec. 6, 2010, [Site Visited May 6, 2015] <http://www.shutterstock.com/pic-64388404/stock-photo-red-and-orange-peppers-in-a-glass-bottle-for-decoration-over-white-background-isolated-a-lot.html>.

(Continued)

Primary Examiner — Robert M Spear
Assistant Examiner — Marissa J Cash
(74) *Attorney, Agent, or Firm* — Standley Law Group LLP

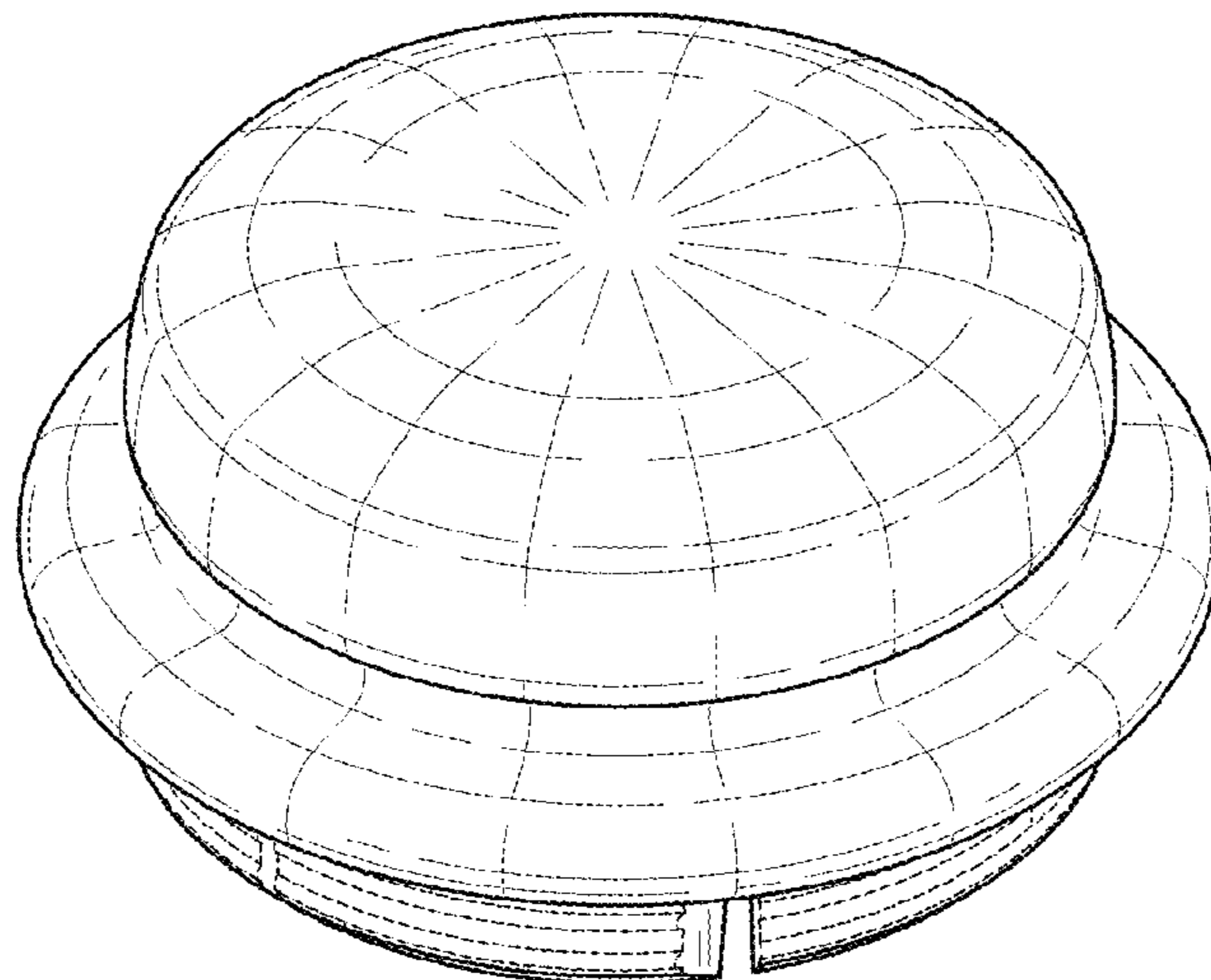
(57) **CLAIM**

The ornamental design for a container cover, as shown and described.

DESCRIPTION

FIG. 1 is a top perspective view of the container cover; FIG. 2 is a bottom perspective view of the FIG. 1 system; FIG. 3 is a top elevation view of the FIG. 1 system; FIG. 4 is a left side elevation view of the FIG. 1 system; FIG. 5 is a bottom elevation view of the FIG. 1 system; FIG. 6 is a side view of the FIG. 1 system; and, FIG. 7 is a cross section view of the FIG. 1 system. In the drawings, the broken lines depict environmental subject matter only and form no part of the claimed design.

1 Claim, 2 Drawing Sheets



(56)

References Cited

U.S. PATENT DOCUMENTS

D257,930 S 1/1981 Conti
 D292,674 S * 11/1987 Morris D9/439
 D294,680 S * 3/1988 Pappert D9/435
 D309,568 S 7/1990 Beton
 D309,690 S 8/1990 Carlson
 D312,778 S 12/1990 Tacconelli
 5,048,705 A 9/1991 Lynd et al.
 D357,322 S 4/1995 Matthews
 D368,222 S 3/1996 Hoefler
 D387,993 S 12/1997 Workman et al.
 D388,327 S 12/1997 Radosevich
 D403,586 S * 1/1999 Bakic D9/454
 D405,532 S 2/1999 Melendez
 D411,457 S 6/1999 Ruda et al.
 D414,694 S * 10/1999 Richter D9/439
 D424,940 S 5/2000 Degnen
 D438,977 S 3/2001 Khalaj
 D466,015 S * 11/2002 Faucon D9/435
 D480,633 S 10/2003 Miranda
 D495,599 S 9/2004 Biesecker
 D503,886 S 4/2005 Biesecker

D509,110 S 9/2005 Vovan
 D512,310 S 12/2005 Hite
 D536,614 S 2/2007 Peterson et al.
 D564,879 S * 3/2008 Baughman D9/454
 D582,781 S 12/2008 Miller
 D597,840 S * 8/2009 Biesecker D9/454
 D603,704 S * 11/2009 Jost D9/449
 D639,442 S 6/2011 Chandler
 D641,631 S 7/2011 Kawahara et al.
 D645,358 S 9/2011 de Monclin
 D653,948 S 2/2012 Azar
 D658,935 S 5/2012 Luppino et al.
 D673,858 S 1/2013 Horio
 D717,170 S 11/2014 Tan
 D725,688 S * 3/2015 Kile D15/150
 D735,033 S * 7/2015 Lynd D9/435

OTHER PUBLICATIONS

Naturally Me Creations: Crafty Recycling: Vitamin Container to Gift Box, Announced Dec. 19, 2011, [Site Visited May 6, 2015] <http://naturallymcreatinos.blogspot.com/2011/12/crafty-recycling-vitamin-container-to.html>.

* cited by examiner

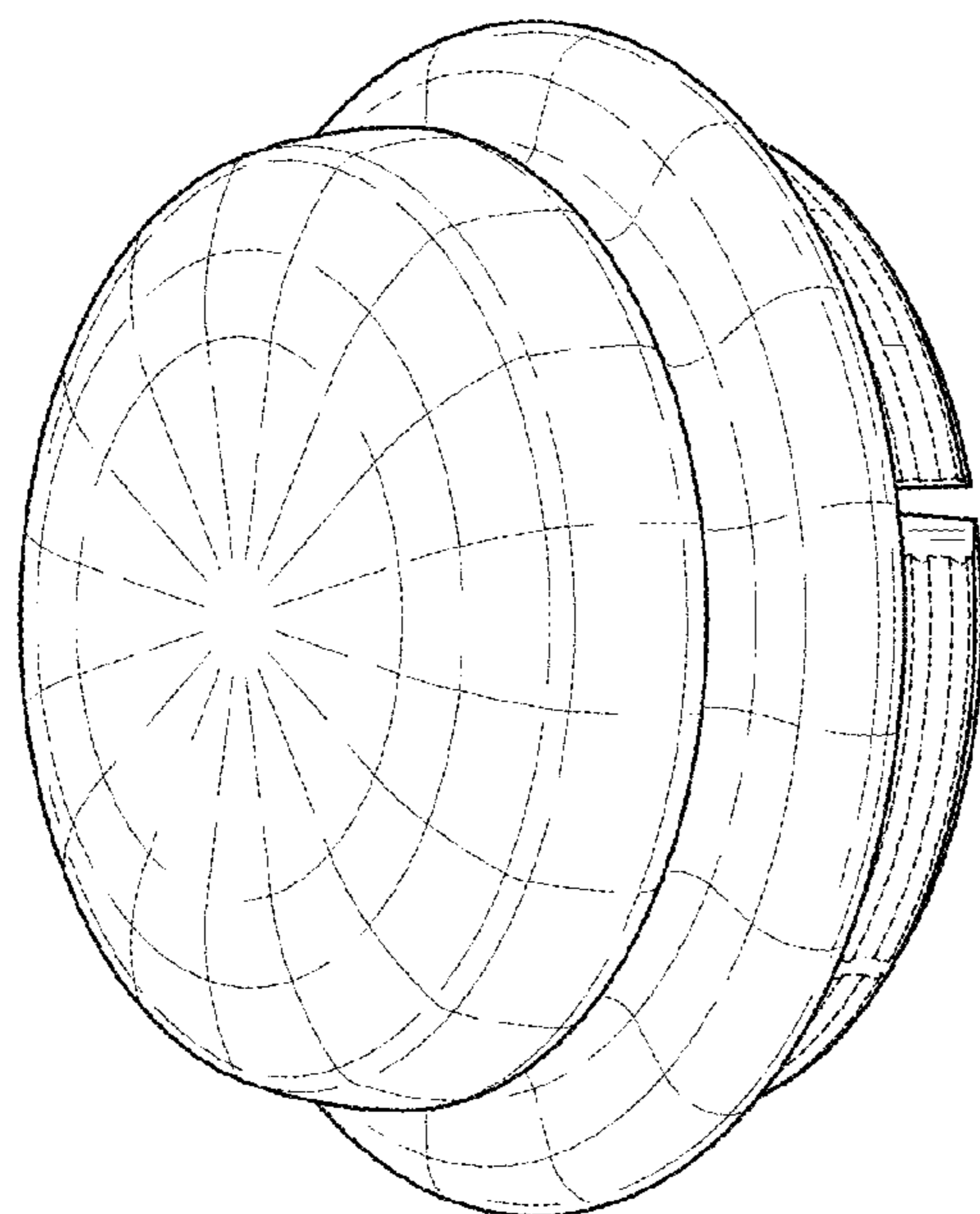


FIG-1

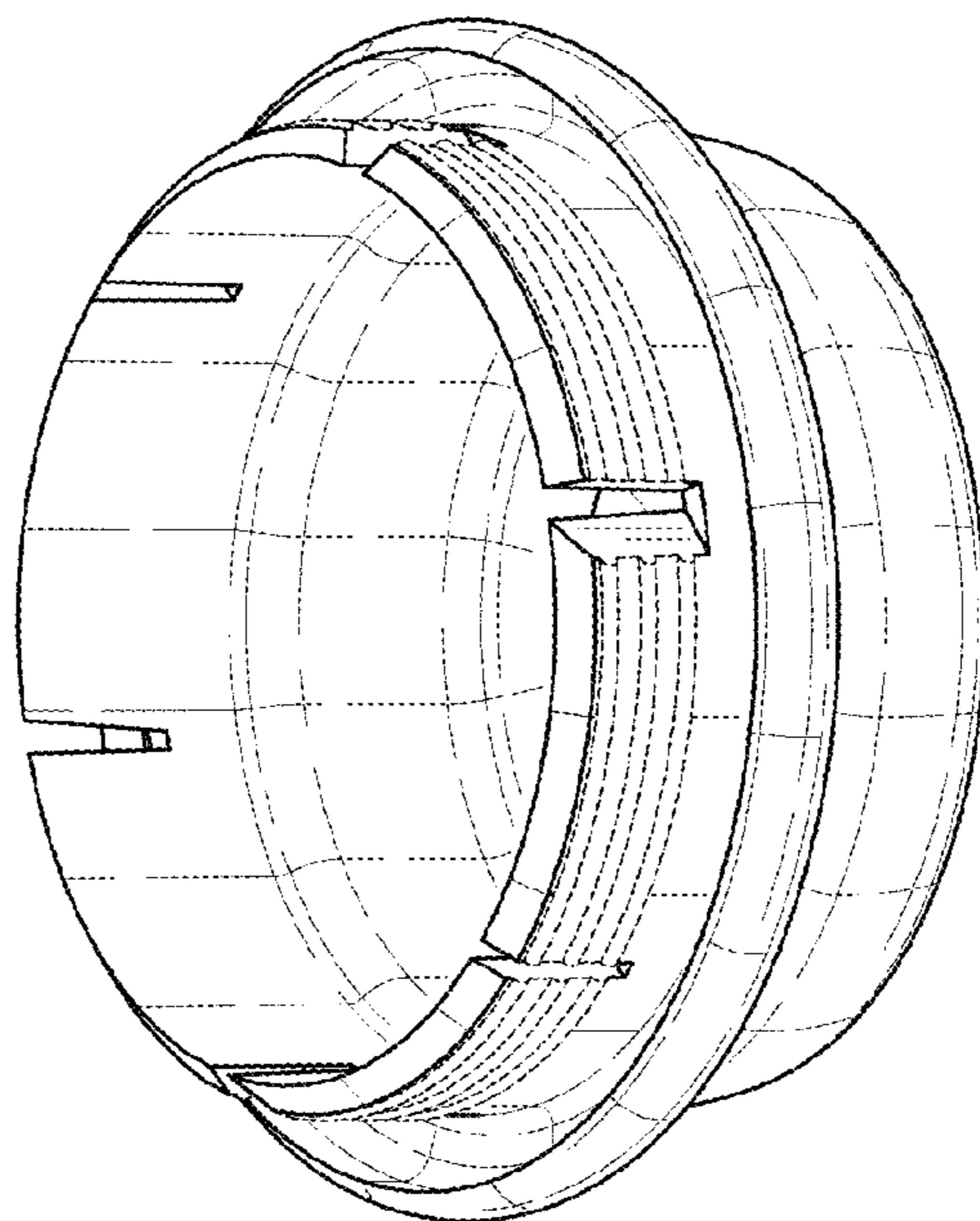


FIG-2

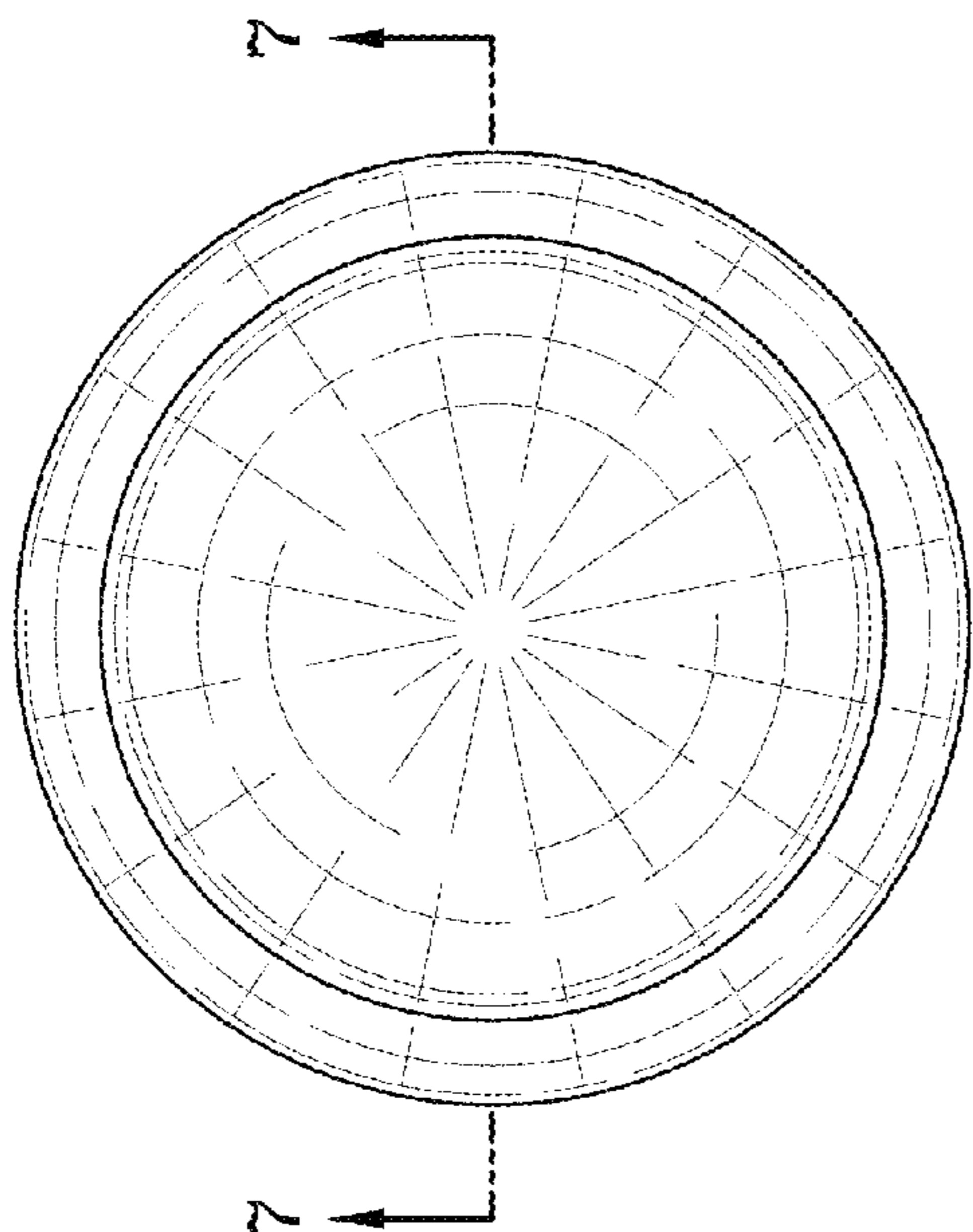


FIG-3

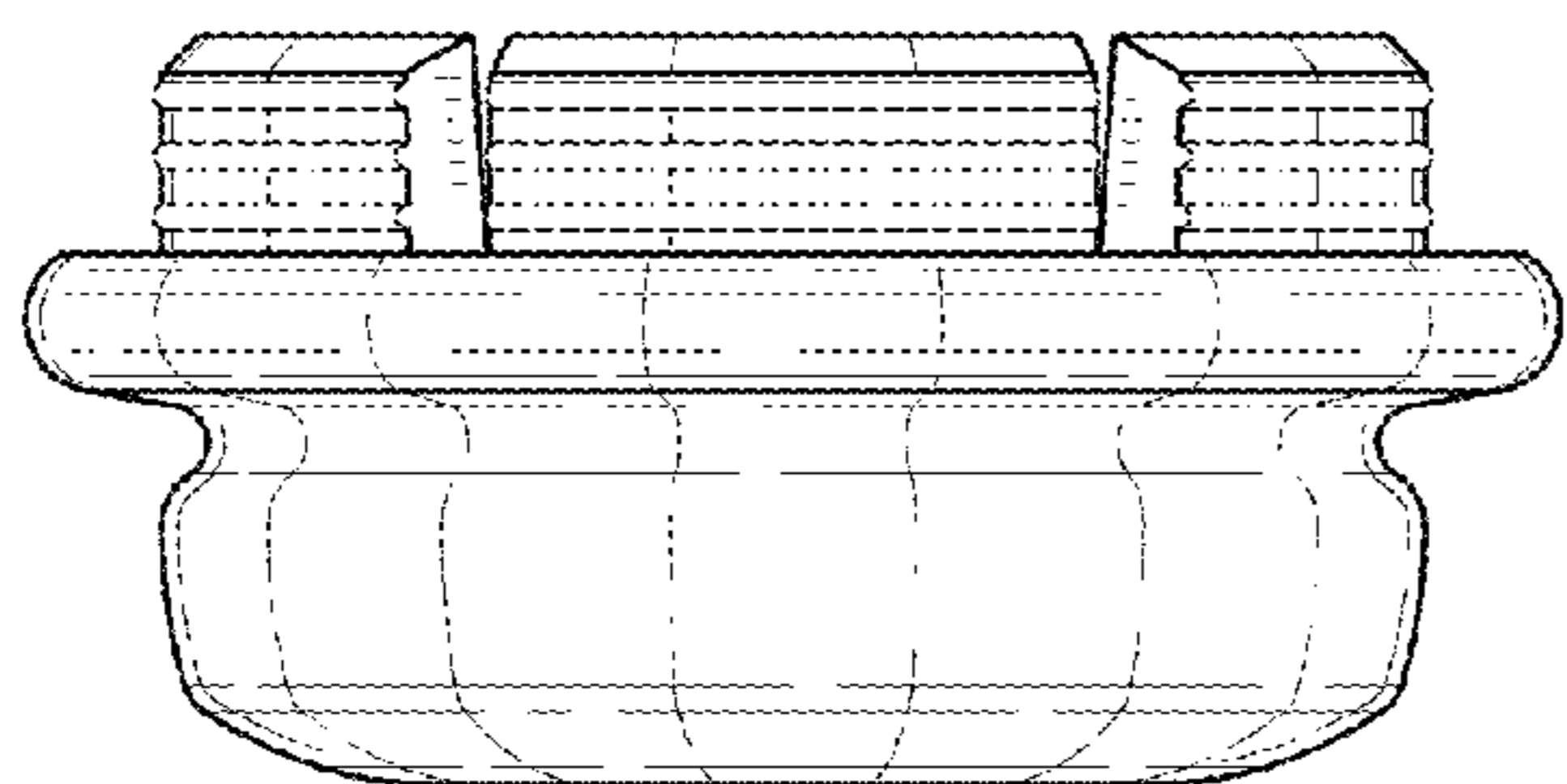


FIG-4

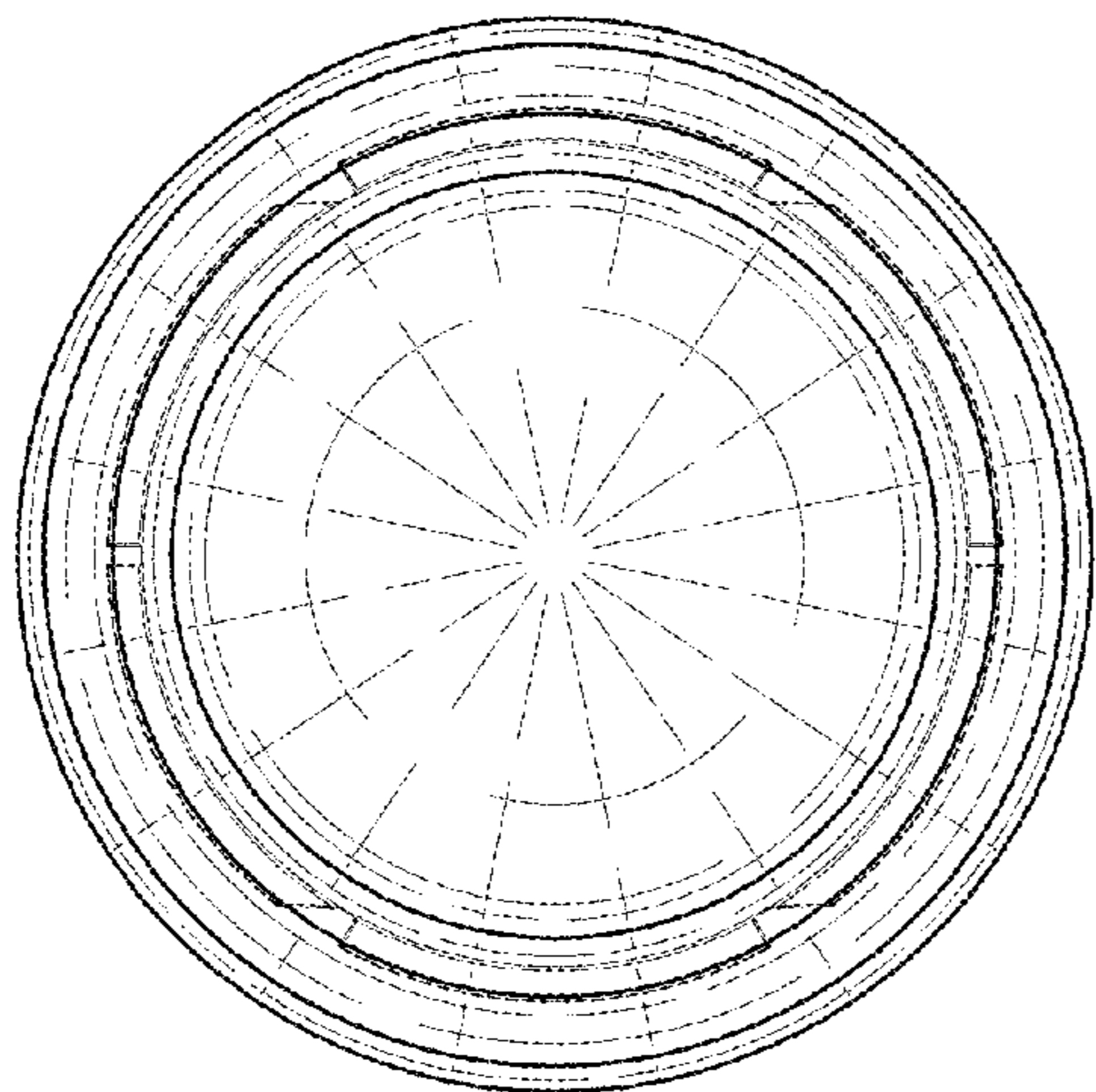


FIG-5

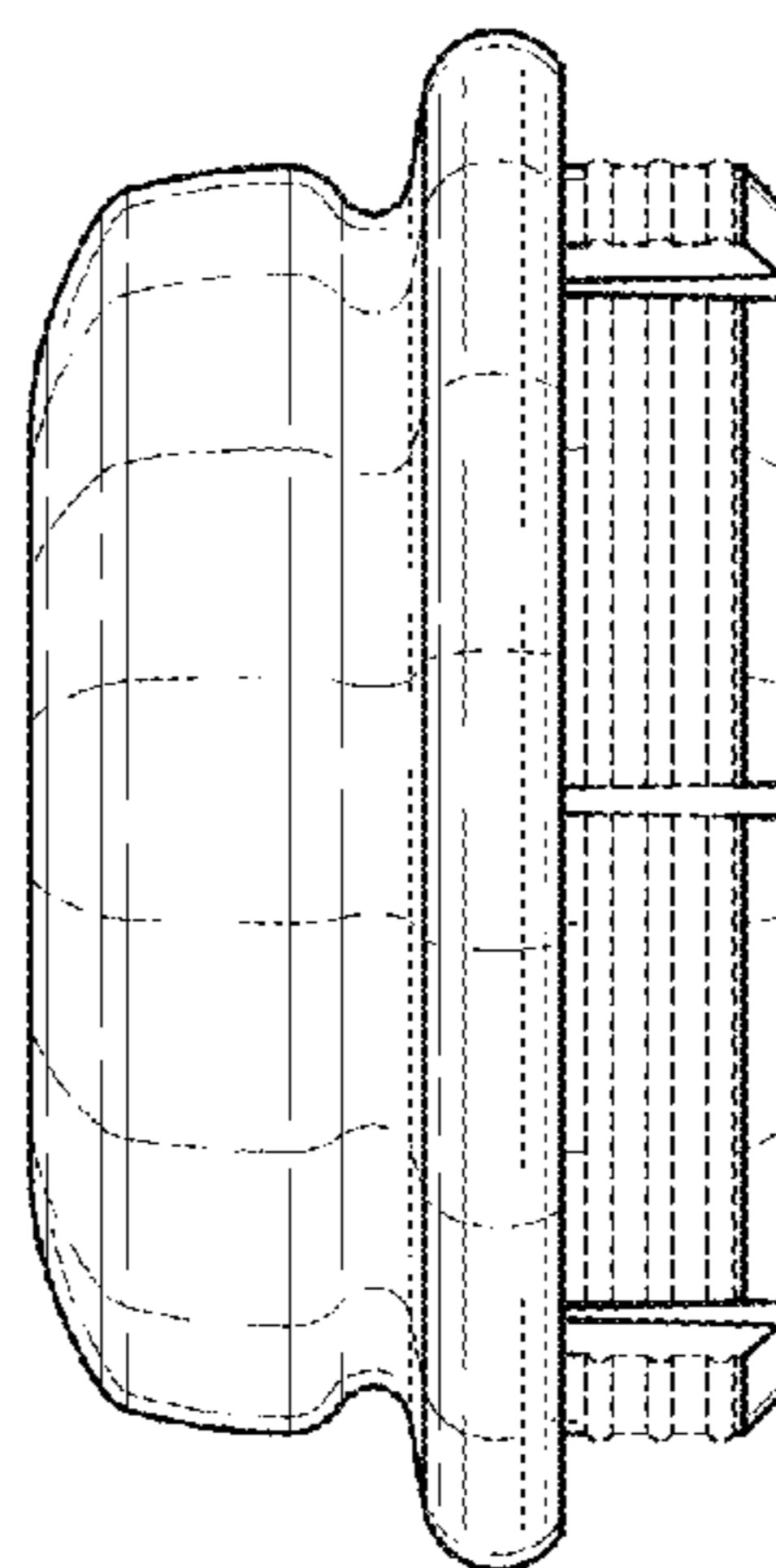


FIG-6

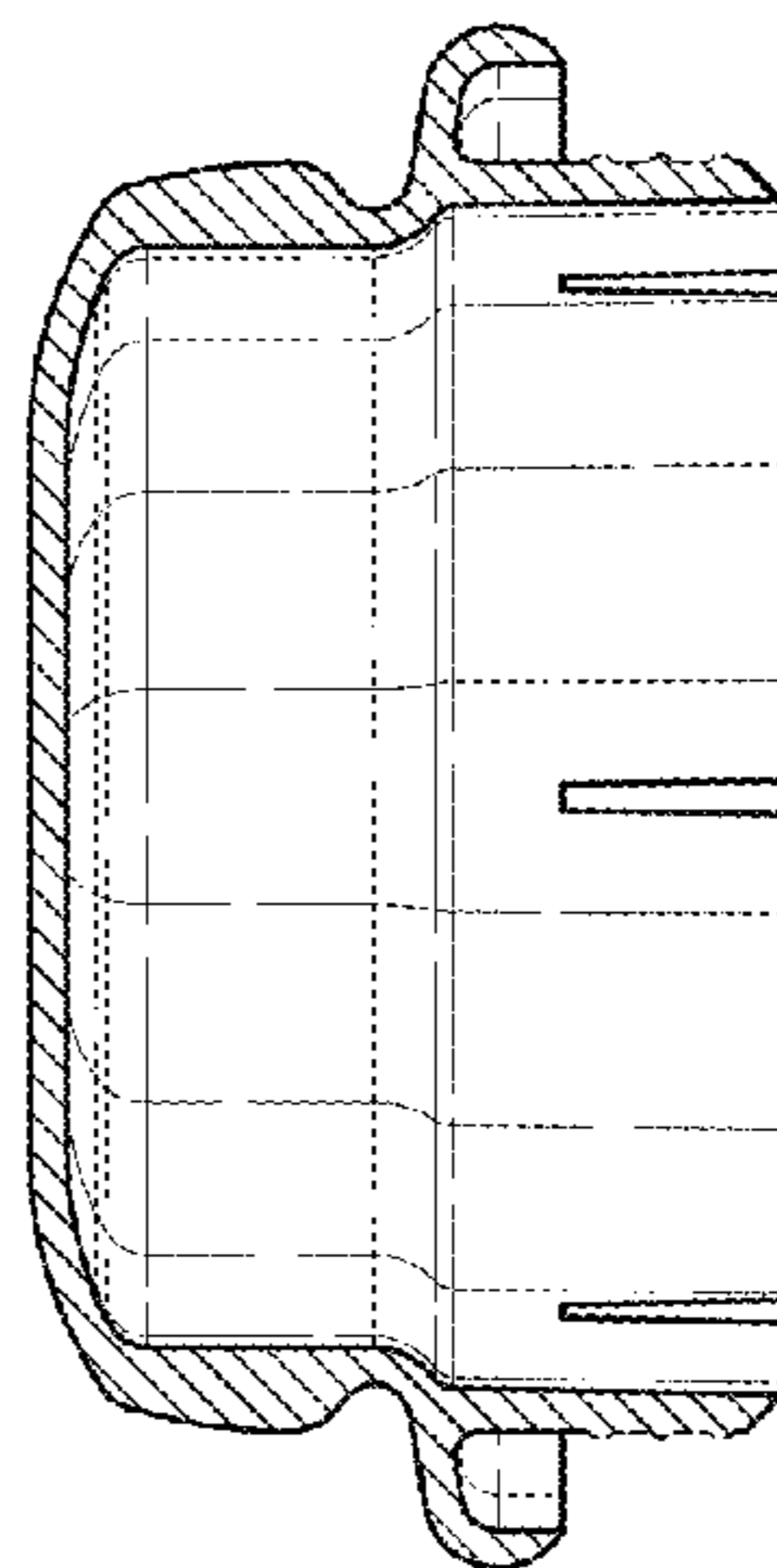


FIG-7