



US00D751398S

(12) **United States Design Patent**
Miceli et al.

(10) **Patent No.:** **US D751,398 S**
(45) **Date of Patent:** **** Mar. 15, 2016**

(54) **SCALLOPED PHARMACEUTICAL CLOSURE**

(71) Applicant: **Tri State Distribution, Inc.**, Sparta, TN (US)

(72) Inventors: **David A. Miceli**, Reno, NV (US);
Joseph A. Miceli, Spencer, TN (US)

(73) Assignee: **Tri State Distribution, Inc.**, Sparta, TN (US)

(**) Term: **14 Years**

(21) Appl. No.: **29/492,811**

(22) Filed: **Jun. 3, 2014**

(51) **LOC (10) Cl.** **09-07**

(52) **U.S. Cl.**
USPC **D9/454**

(58) **Field of Classification Search**
USPC D9/435, 436, 443, 445, 449, 450, 452, D9/453, 454
CPC B65D 51/243; B65D 41/16
See application file for complete search history.

(56) **References Cited**

U.S. PATENT DOCUMENTS

3,865,267	A	2/1975	Morris	
4,103,797	A	8/1978	Morris	
4,452,364	A	6/1984	Kay	
4,526,281	A	7/1985	Herr	
D320,559	S *	10/1991	Olson	D9/435
5,711,442	A *	1/1998	Kusz	B65D 50/046

				215/209
5,899,348	A	5/1999	Konefal et al.	
D482,967	S *	12/2003	Bourque	D9/435
D491,062	S *	6/2004	Hoff	D9/435
D548,075	S *	8/2007	Mavin	D9/435
D548,081	S	8/2007	Noonan	
D568,450	S *	5/2008	King, Jr.	D23/261
D711,739	S *	8/2014	Priebe	D9/435
D743,255	S *	11/2015	Niggemyer	D9/435
2009/0140513	A1	6/2009	Priebe et al.	
2009/0301985	A1 *	12/2009	Priebe	B65D 50/046 215/211
2010/0200533	A1 *	8/2010	Rice	B65D 50/046 215/216

* cited by examiner

Primary Examiner — Robert M Spear

(74) *Attorney, Agent, or Firm* — Luedeka Neely Group, P.C.

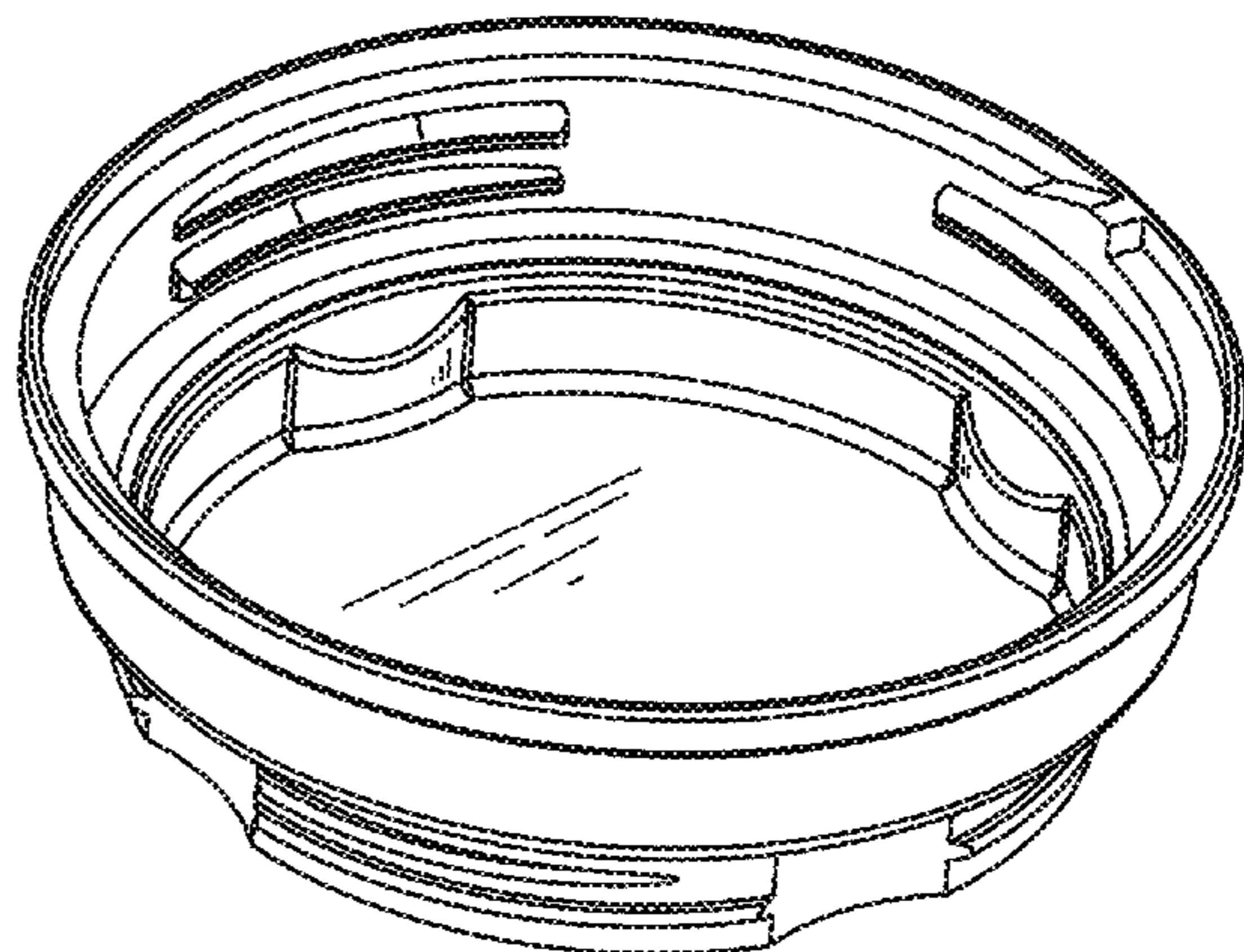
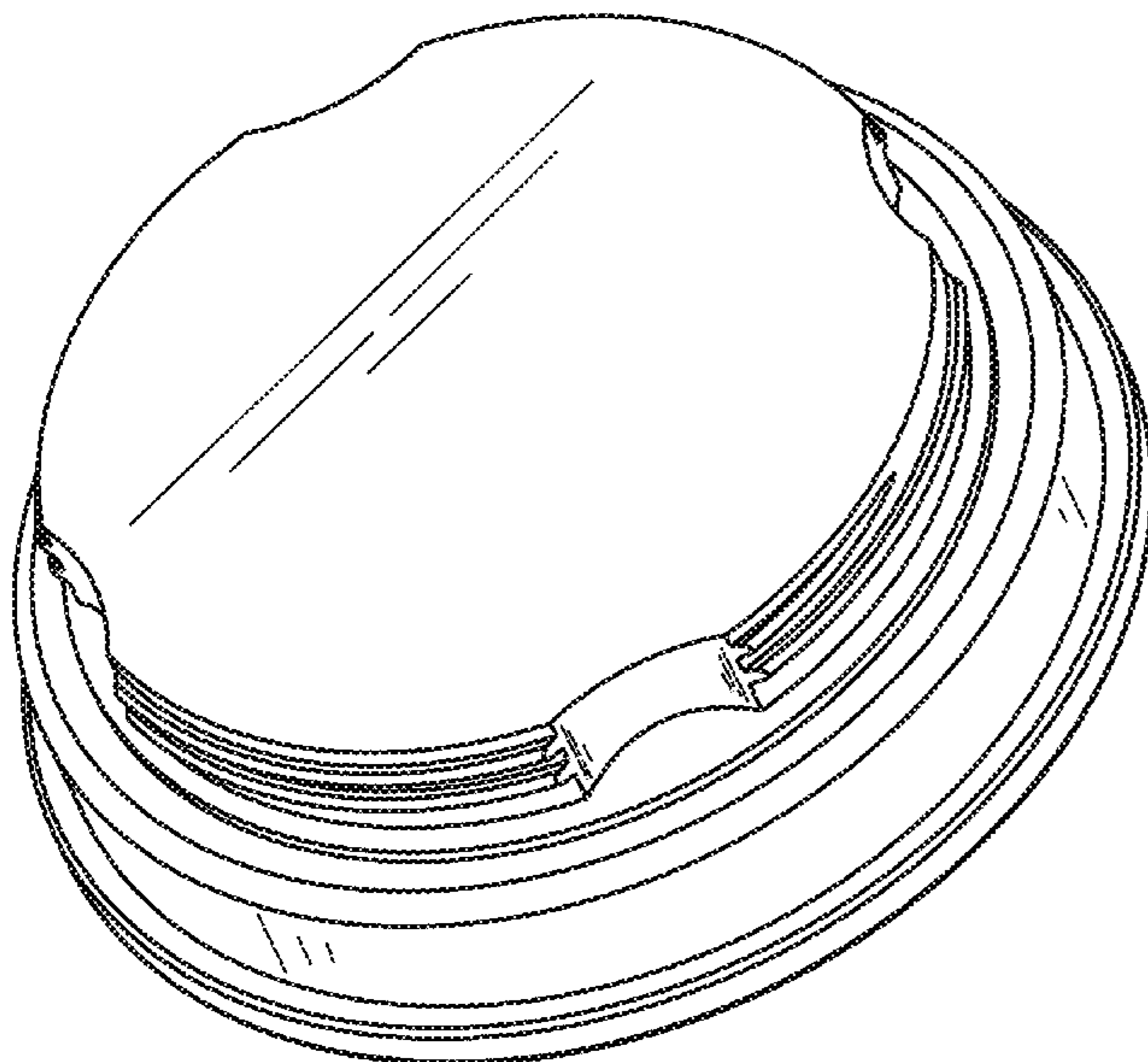
(57) **CLAIM**

The ornamental design for a scalloped pharmaceutical closure, as shown.

DESCRIPTION

FIG. 1 is an upper perspective view of a pharmaceutical cap of our new design;
FIG. 2 is another upper perspective view of the cap of FIG. 1, rotated and tilted from the view of FIG. 1;
FIG. 3 is a perspective view of the underside of the cap of FIG. 1;
FIG. 4 is bottom view of the cap of FIG. 1;
FIG. 5 is a side elevation view of the cap of FIG. 1; and,
FIG. 6 is a top view of the cap of FIG. 1;

1 Claim, 5 Drawing Sheets



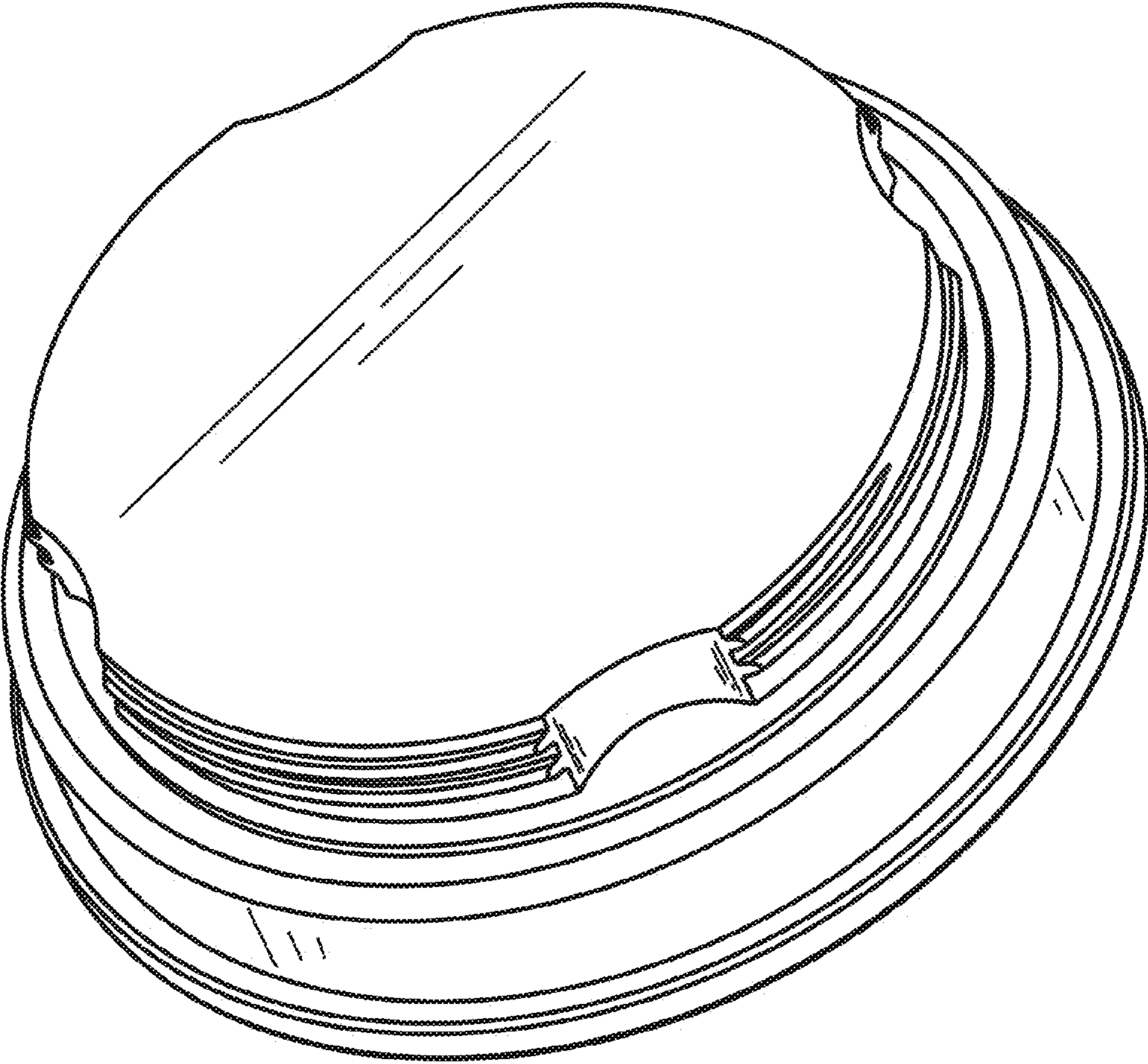


FIG. 1

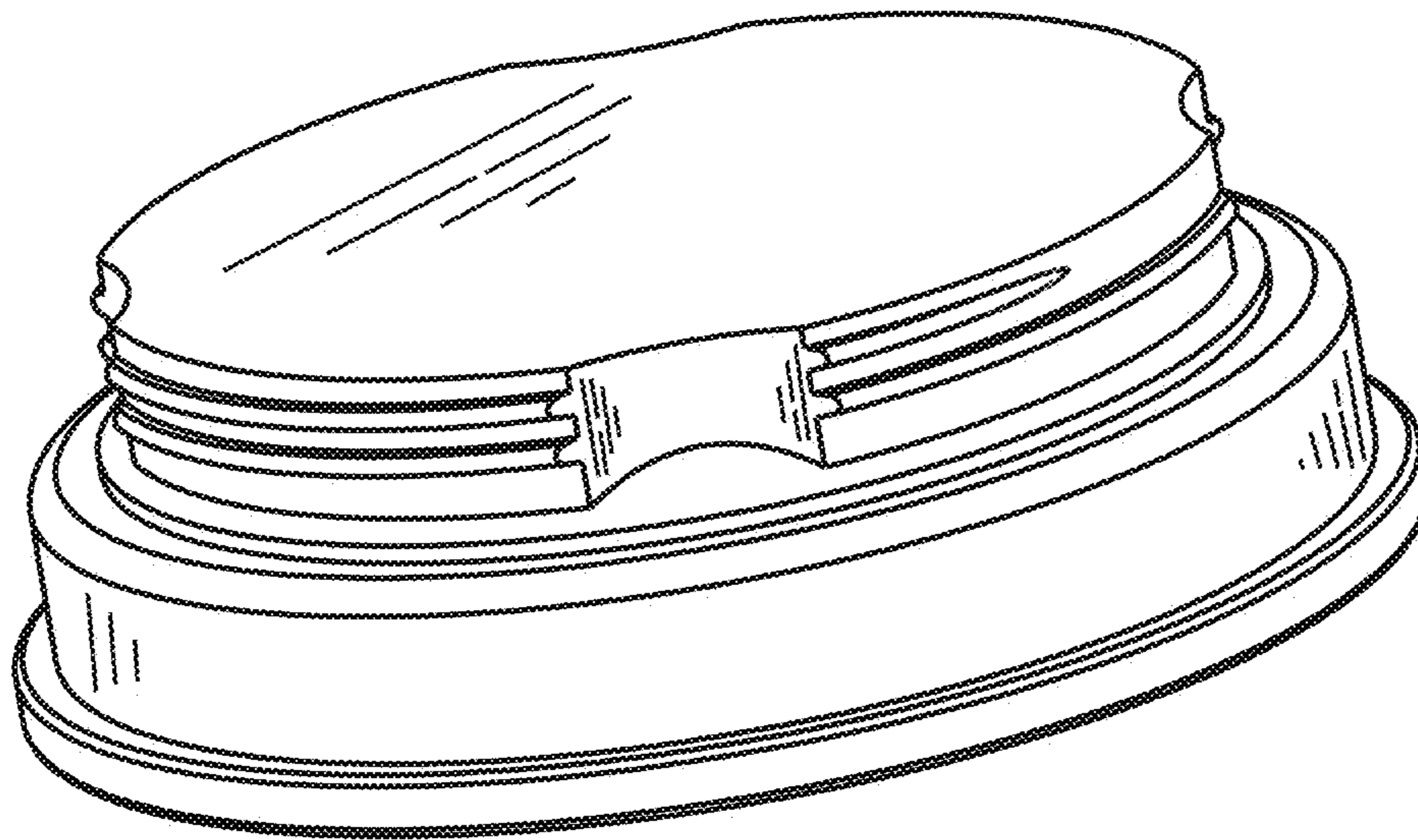


FIG. 2

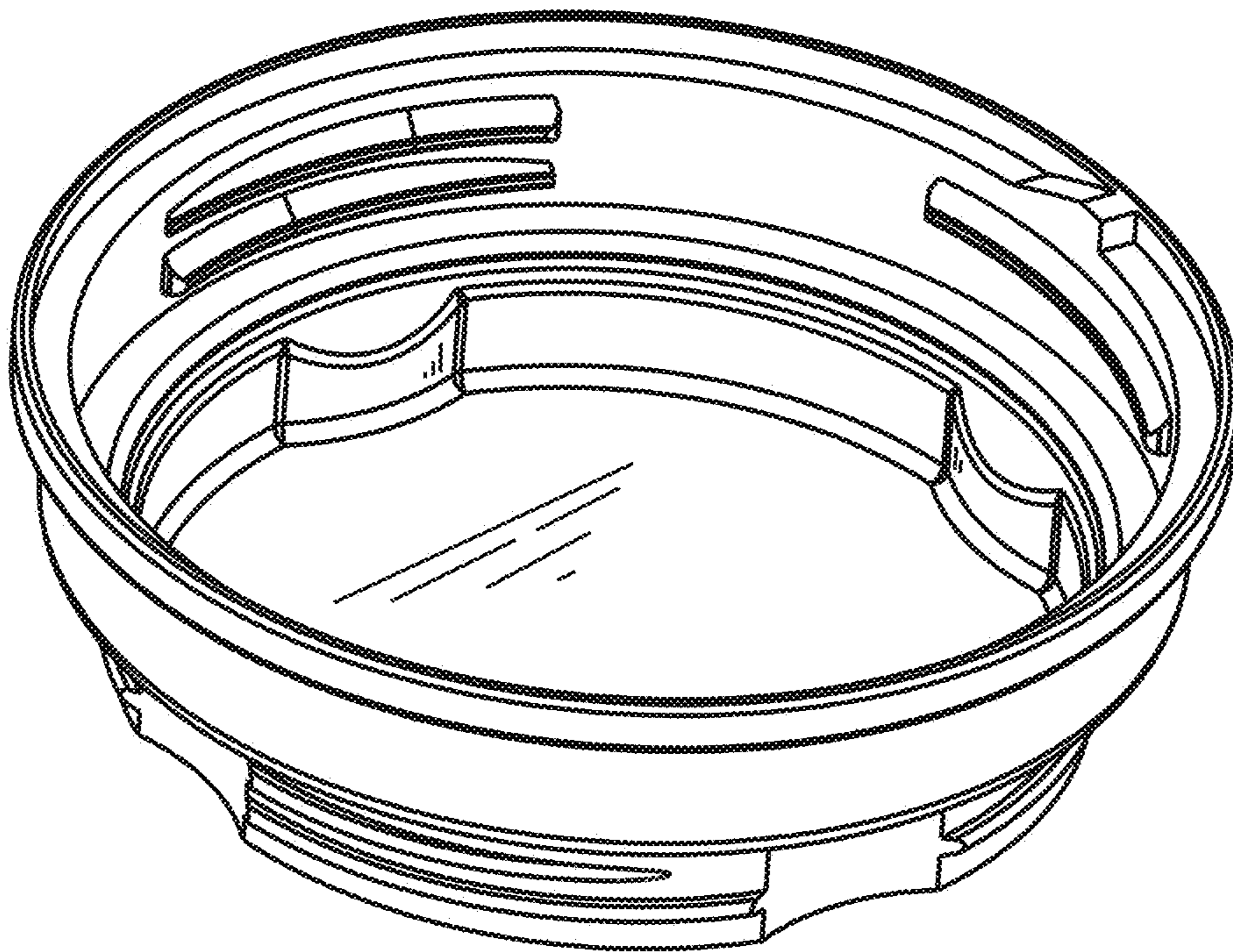


FIG. 3

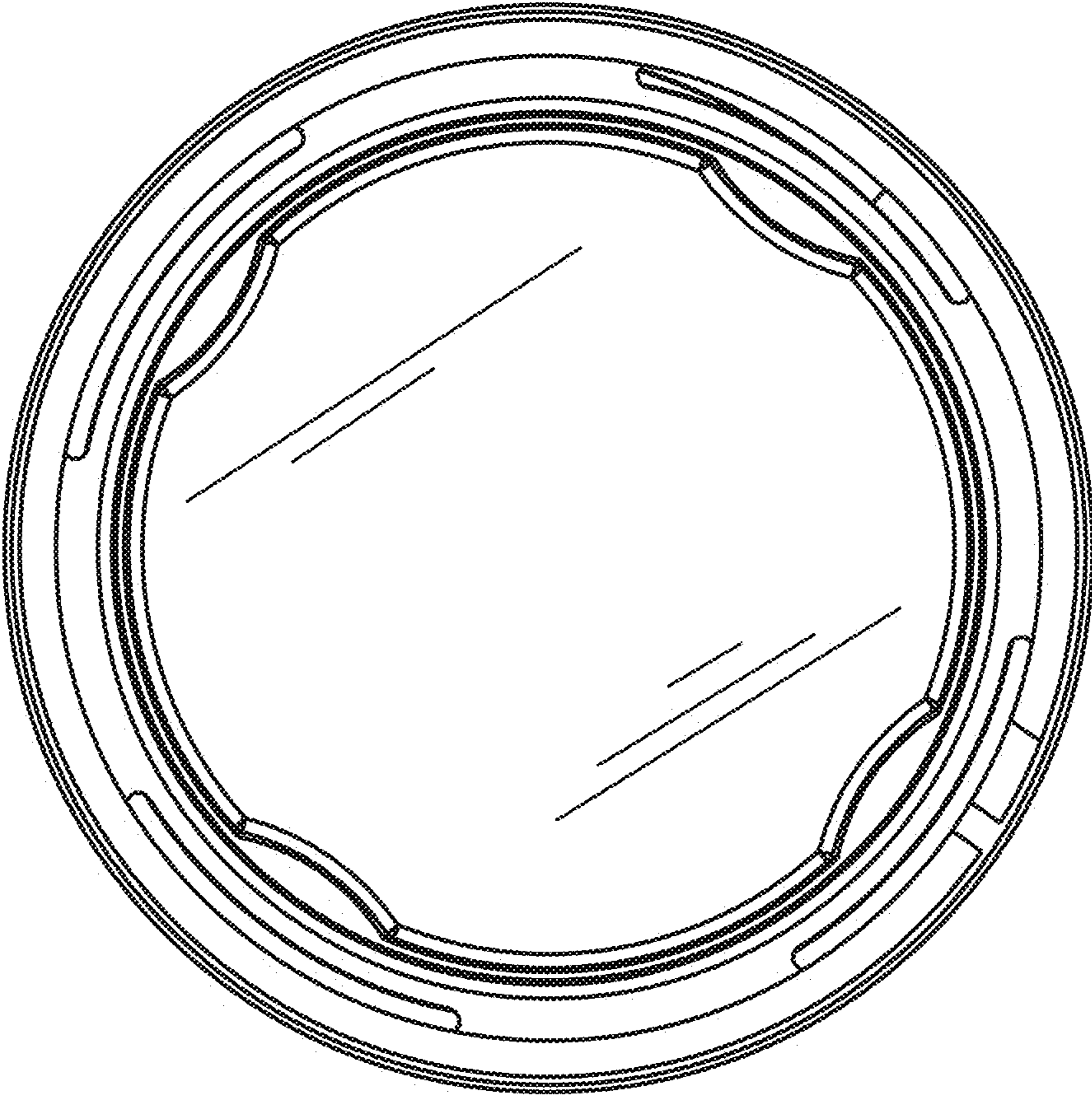


FIG. 4

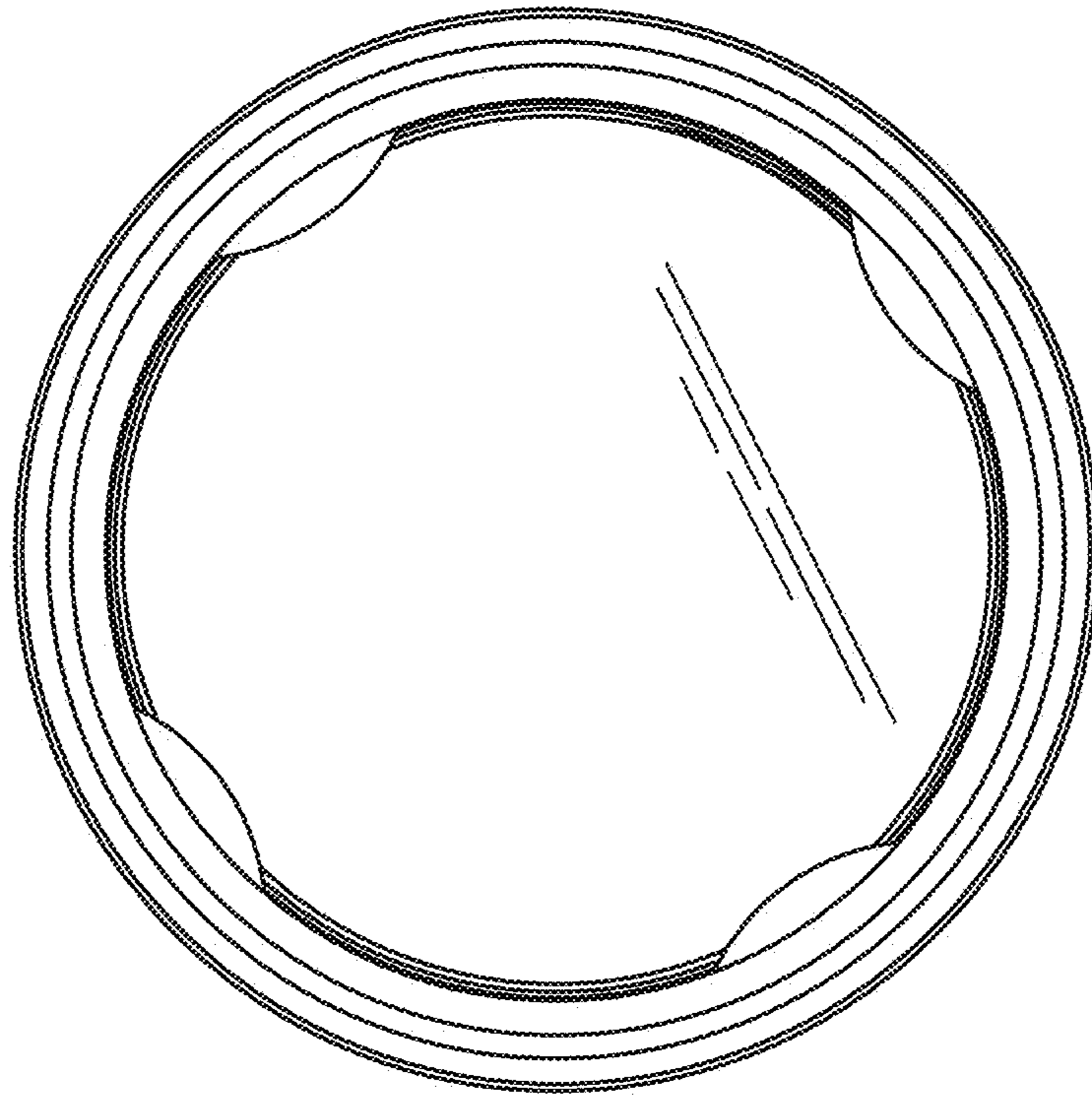


FIG. 6

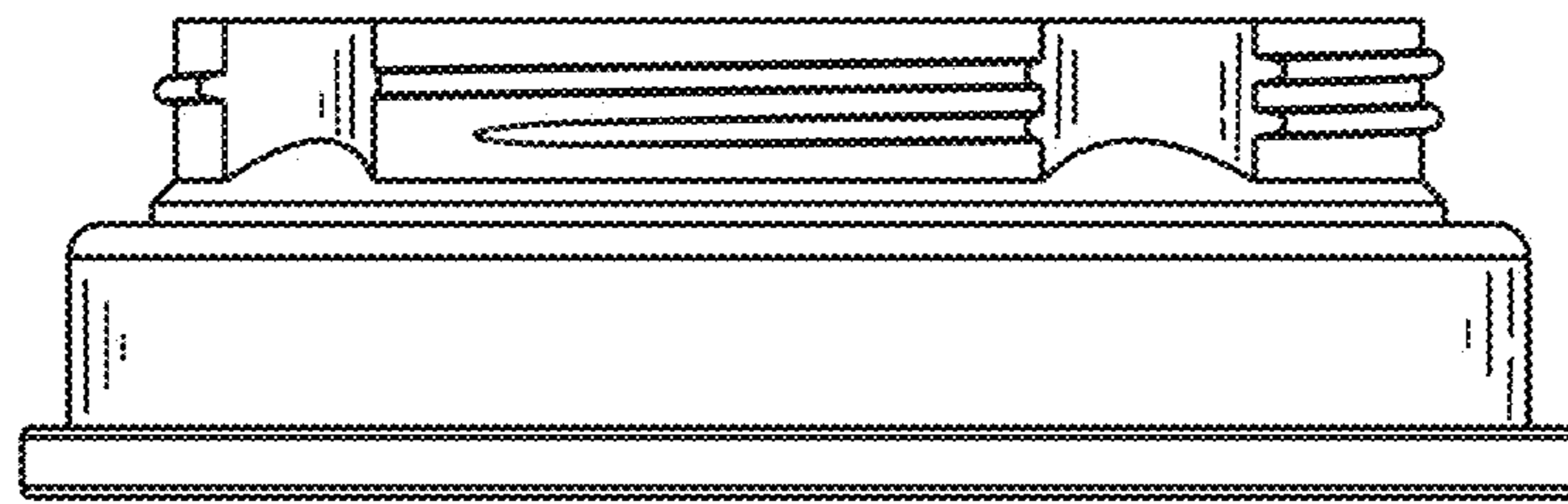


FIG. 5