



US00D751397S

(12) **United States Design Patent**  
**Kim**

(10) **Patent No.:** **US D751,397 S**  
(45) **Date of Patent:** **\*\* Mar. 15, 2016**

(54) **CAP FOR A CONTAINER**

(71) Applicant: **KSP Co., Ltd.**, Seoul (KR)  
(72) Inventor: **Sang Sun Kim**, Kyunggi-Do (KR)  
(73) Assignee: **KSP Co., Ltd.**, Seoul (KR)  
(\*\*) Term: **14 Years**

(21) Appl. No.: **29/490,899**

(22) Filed: **May 15, 2014**

(51) **LOC (10) Cl.** ..... **09-07**

(52) **U.S. Cl.**  
USPC ..... **D9/452**

(58) **Field of Classification Search**  
USPC ..... D7/387; D9/434-436, 440, 441,  
D9/443-445, 447, 451, 452, 454; 206/457,  
206/527, 540; 215/209, 217-223, 228;  
220/890  
CPC ..... B65D 41/0485  
See application file for complete search history.

(56) **References Cited**

**U.S. PATENT DOCUMENTS**

D374,150 S *	10/1996	Lillelund et al. ....	D7/387
D547,657 S *	7/2007	Tacchella .....	D9/454
D661,185 S *	6/2012	Battat .....	D9/435
D679,597 S *	4/2013	Tamarindo .....	D9/452
D681,460 S *	5/2013	Kim .....	D9/452
D682,688 S *	5/2013	Murray .....	D9/435

D682,694 S *	5/2013	van den Hoonaard .....	D9/451
8,443,999 B1 *	5/2013	Reinders .....	220/303
D684,055 S *	6/2013	Kwon .....	D9/452
D684,056 S *	6/2013	Kwon .....	D9/452
D686,495 S *	7/2013	Murray .....	D9/435
8,616,394 B2 *	12/2013	Kim .....	215/305
D704,556 S *	5/2014	van den Hoonaard .....	D9/451
D705,062 S *	5/2014	Jo et al. ....	D9/453
D705,068 S *	5/2014	Janssen et al. ....	D9/516
2013/0175274 A1 *	7/2013	Kim .....	220/288

\* cited by examiner

*Primary Examiner* — Robert M Spear

*Assistant Examiner* — Darcey E Heflin

(74) *Attorney, Agent, or Firm* — Maxine L. Barasch;  
Keohane & D'Alessandro, PLLC

(57) **CLAIM**

The ornamental design for a cap for a container, as shown and described.

**DESCRIPTION**

FIG. 1 is an isometric view of a cap for a container showing my new design;

FIG. 2 is another isometric view thereof;

FIG. 3 a top view thereof;

FIG. 4 is bottom view thereof;

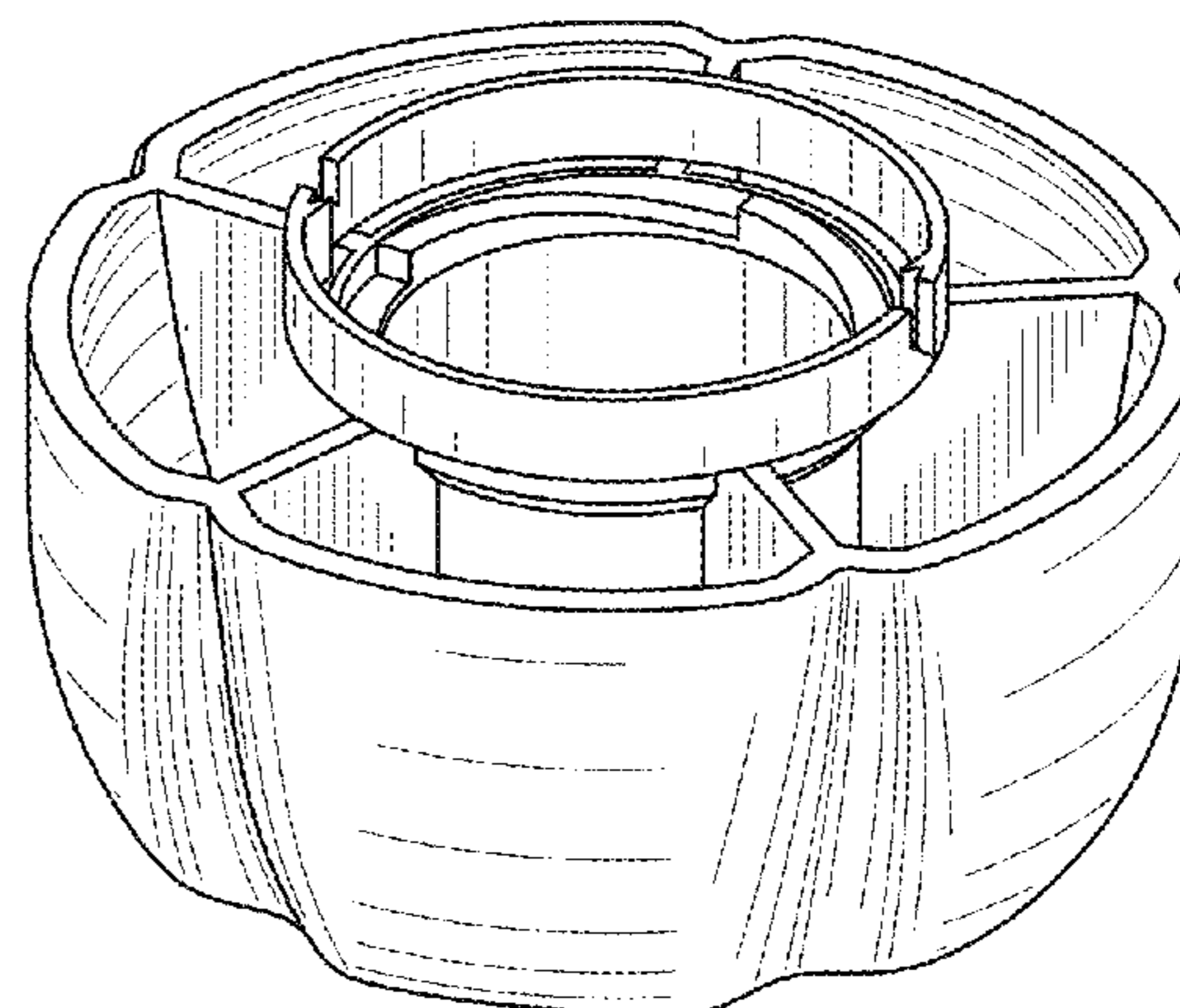
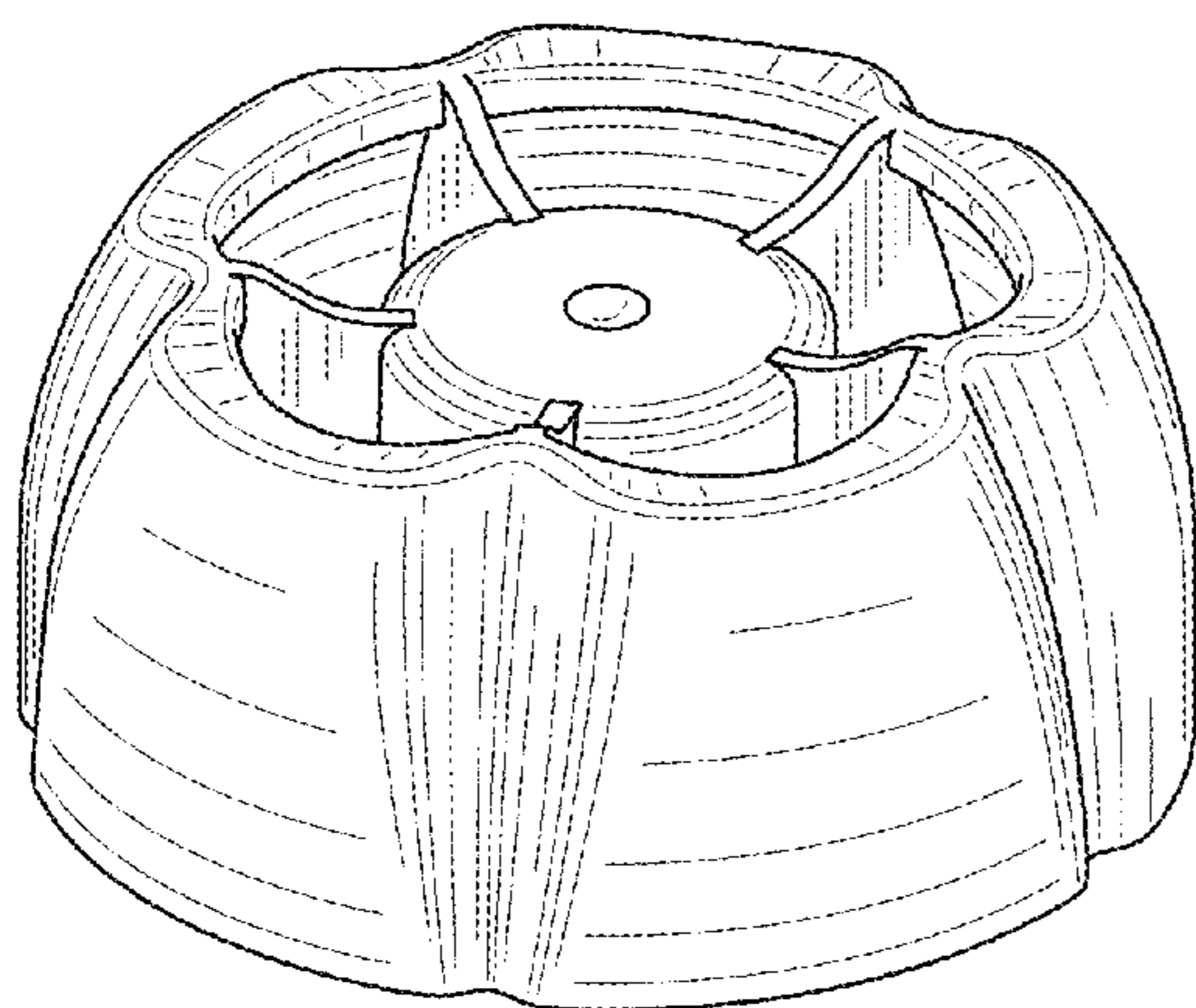
FIG. 5 is a side view thereof;

FIG. 6 is another side view thereof;

FIG. 7 is another side view thereof; and,

FIG. 8 is another side view thereof.

**1 Claim, 5 Drawing Sheets**



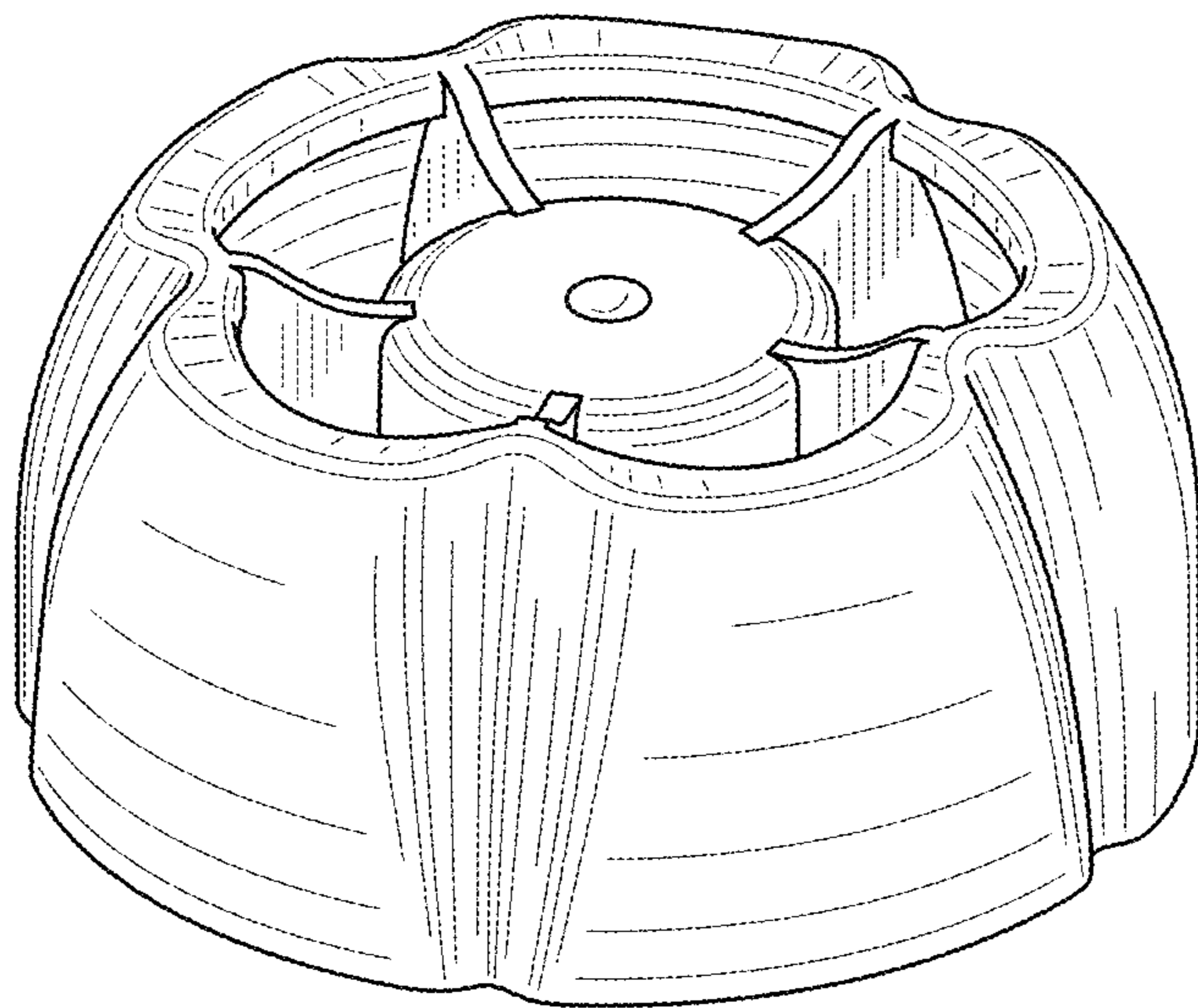


FIG. 1

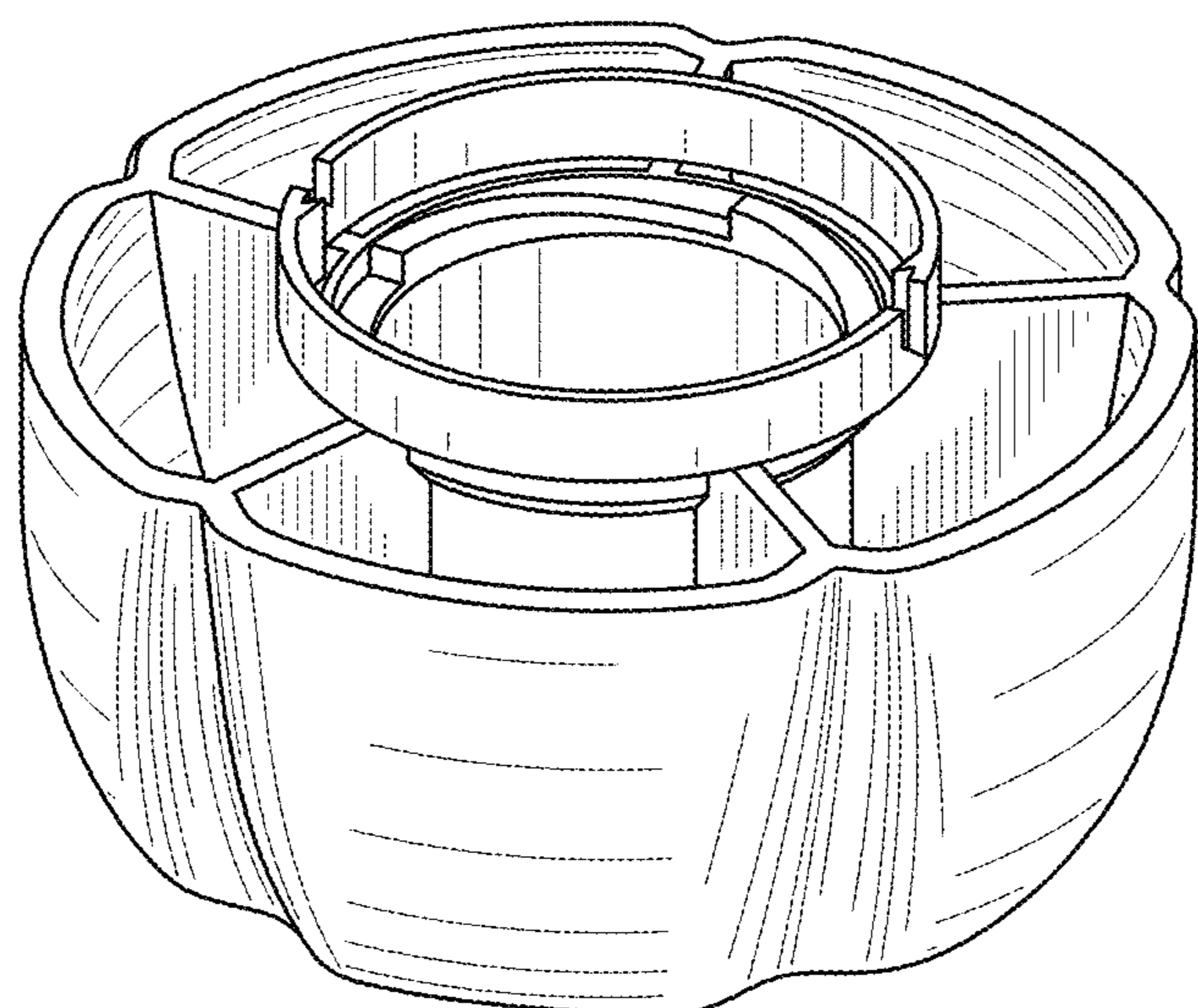


FIG. 2

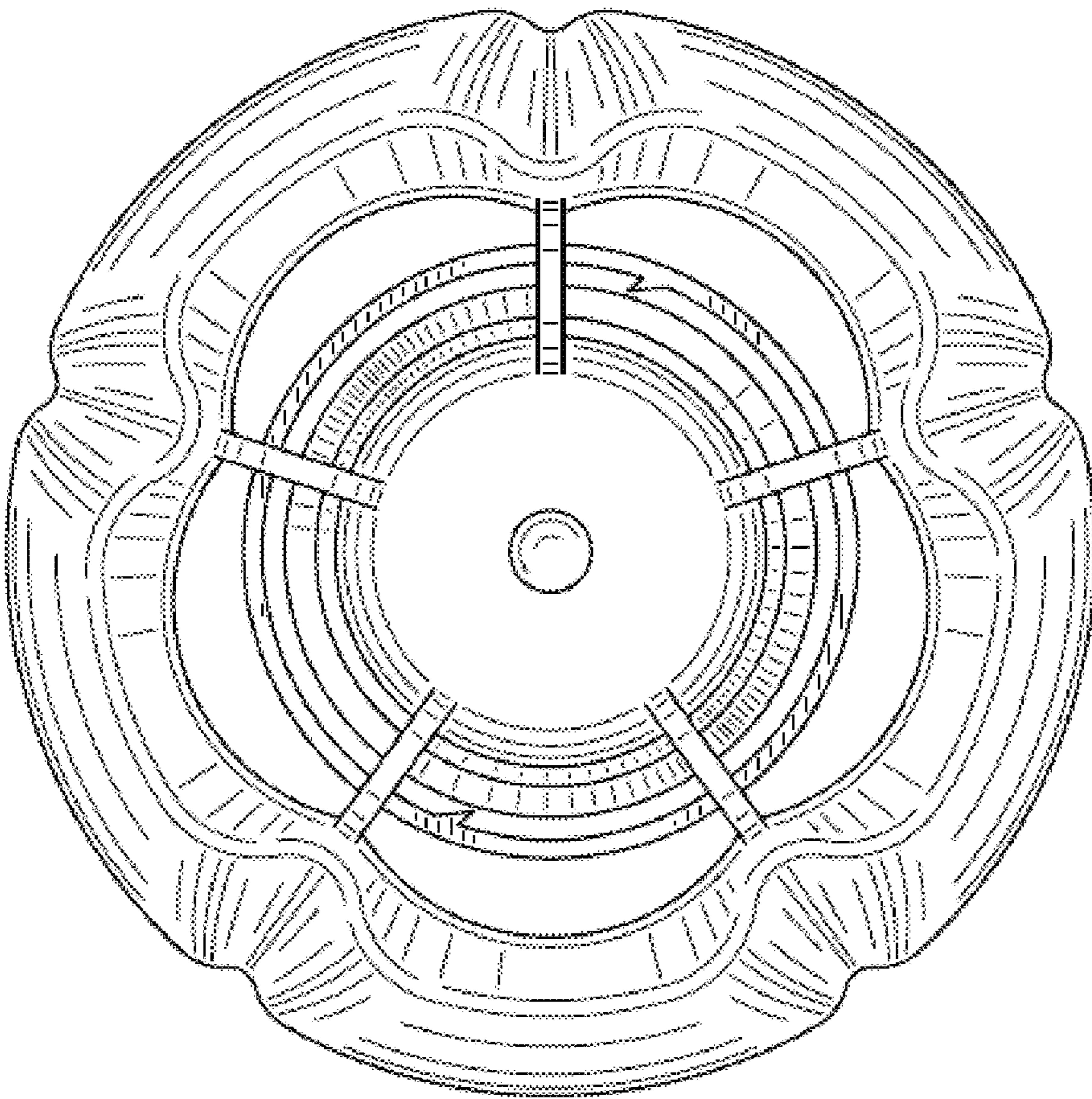


FIG. 3

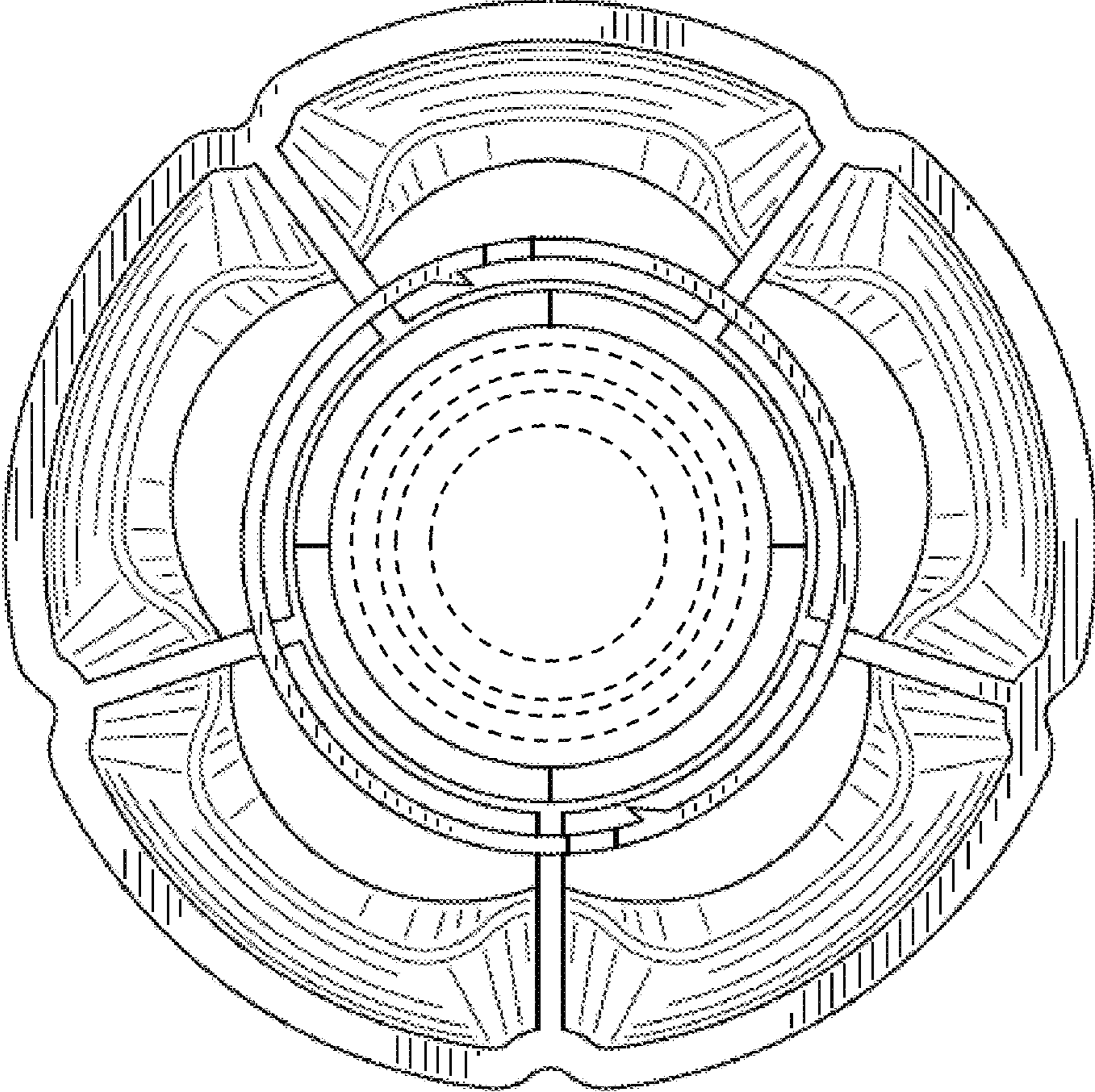


FIG. 4

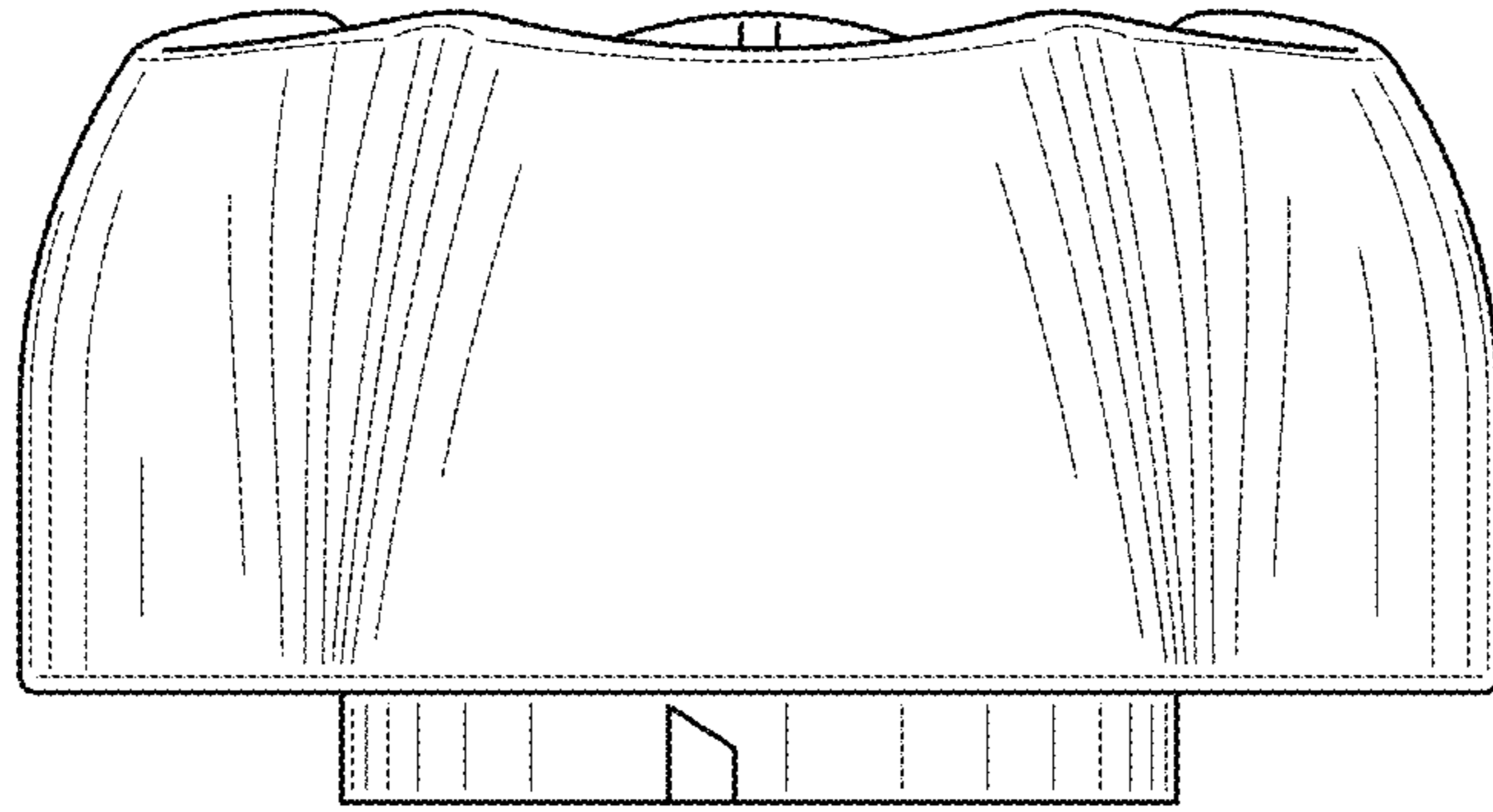


FIG. 5

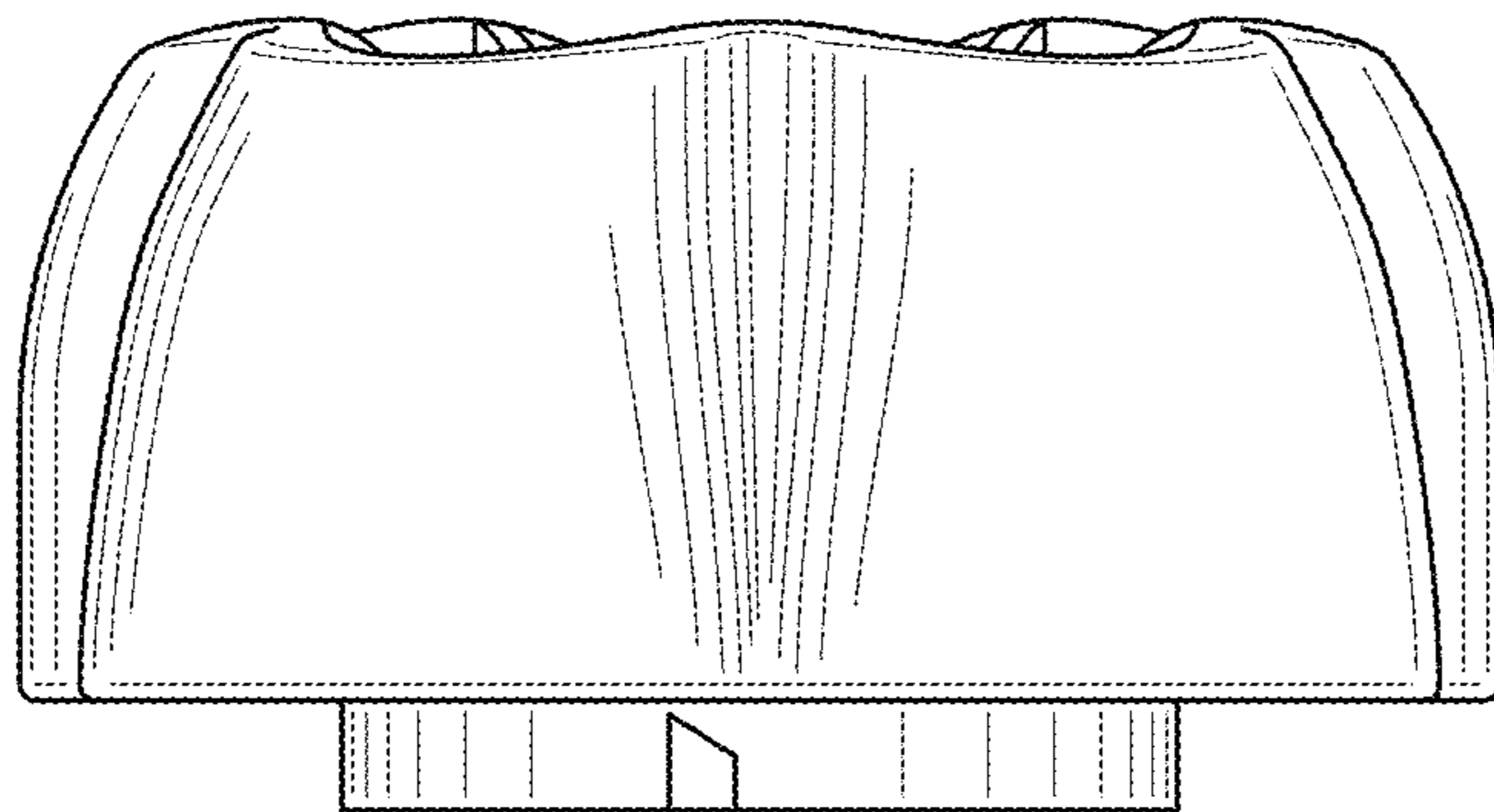


FIG. 6

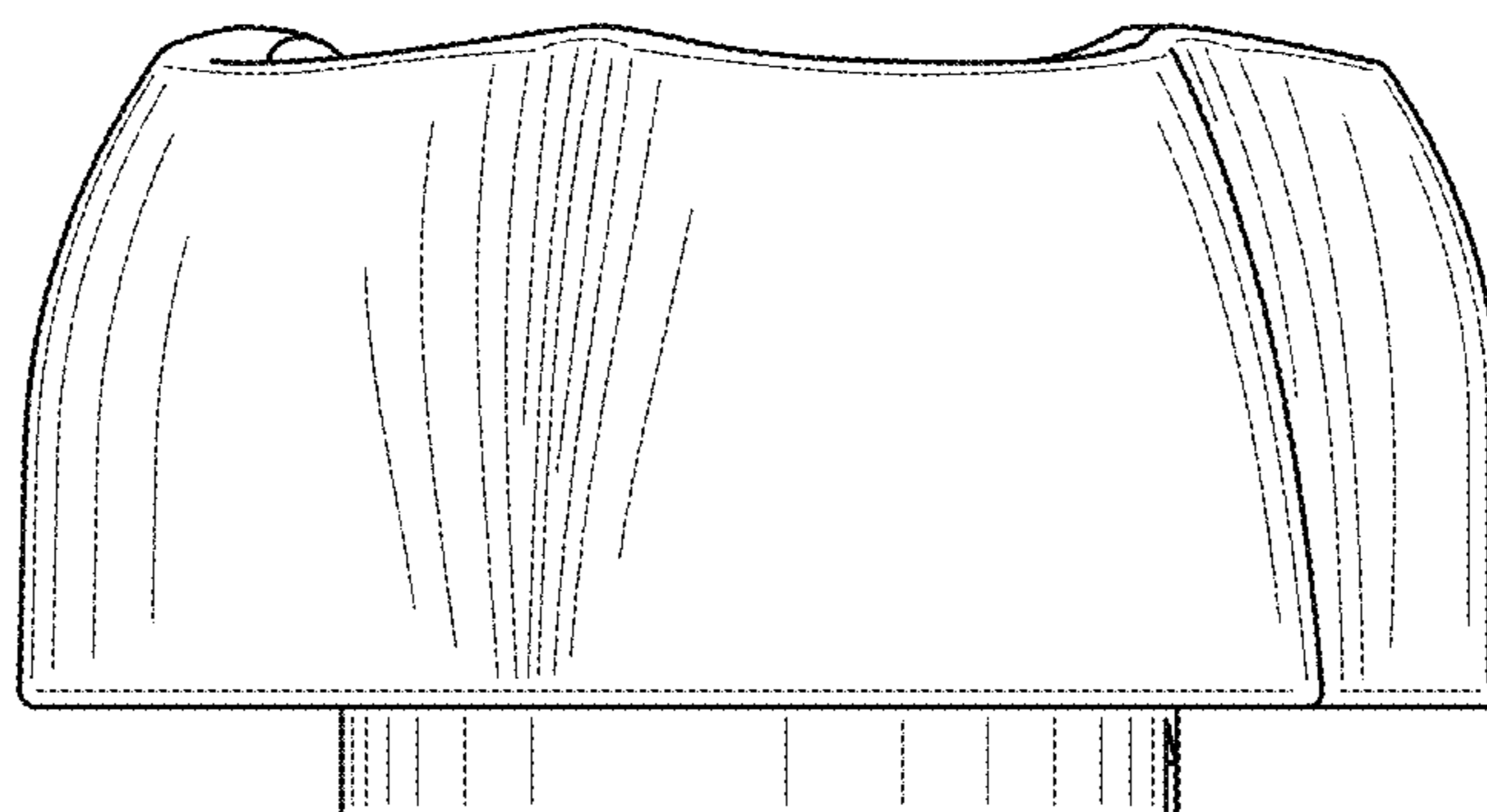


FIG. 7

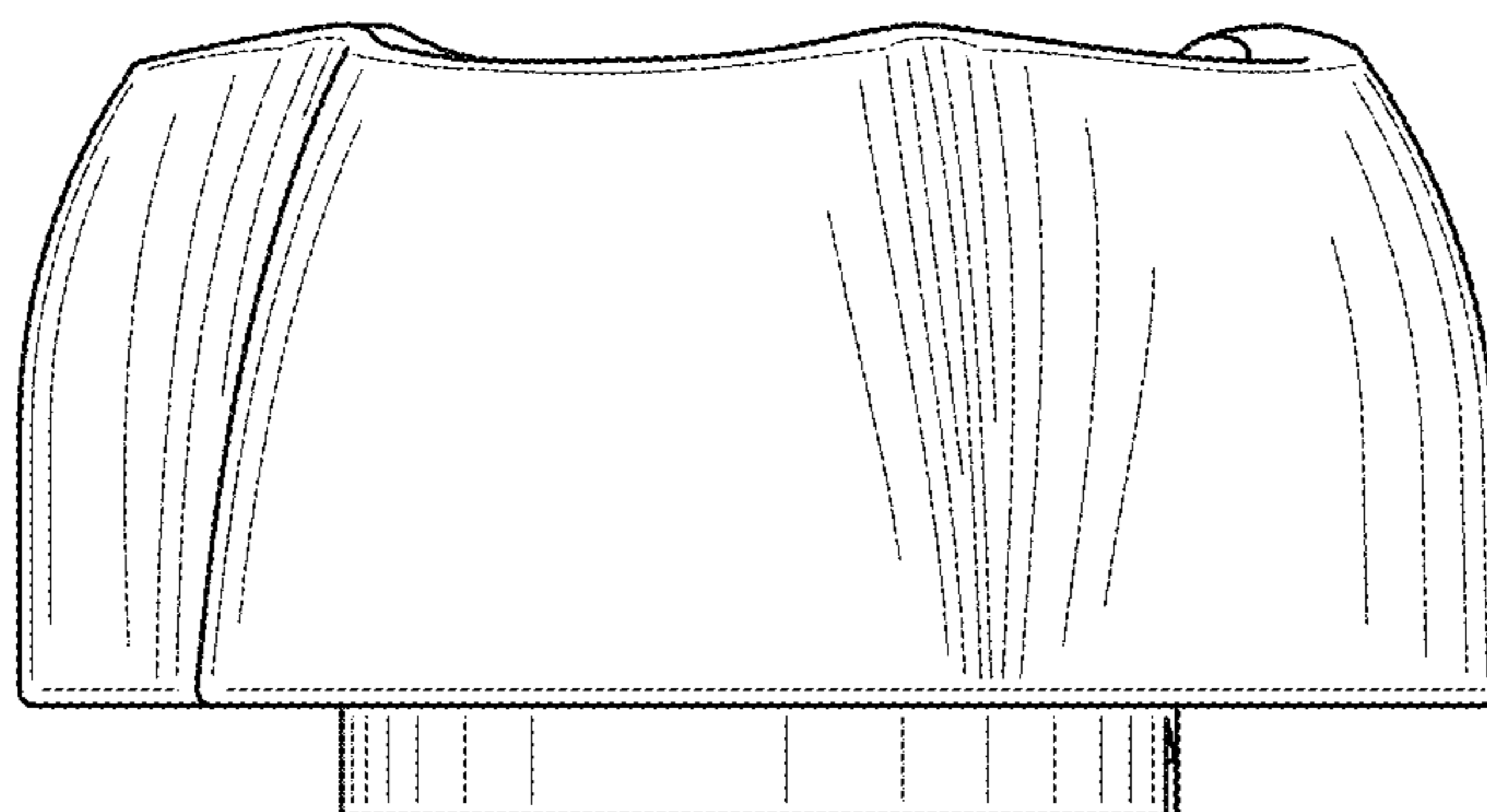


FIG. 8