



US00D751396S

(12) **United States Design Patent**  
**Fleming**

(10) **Patent No.:** **US D751,396 S**  
(45) **Date of Patent:** **\*\* Mar. 15, 2016**

(54) **SPILL RESISTANT TAB FOR DRINK-THROUGH LIDS**  
(71) Applicant: **Douglas H. Fleming**, Bainbridge Island, WA (US)

D287,919 S 1/1987 Clements  
4,768,674 A 9/1988 Prescott  
D299,010 S 12/1988 Wall  
4,938,377 A 7/1990 Jarvis

(Continued)

(72) Inventor: **Douglas H. Fleming**, Bainbridge Island, WA (US)

FOREIGN PATENT DOCUMENTS

(\*\*) Term: **14 Years**

CA 2245369 3/2000  
CA 2212228 7/2002

(Continued)

(21) Appl. No.: **29/481,898**

OTHER PUBLICATIONS

(22) Filed: **Feb. 11, 2014**

U.S. 6,003,721, 12/1999, Fleming (withdrawn).

(51) **LOC (10) Cl.** ..... **09-07**

(Continued)

(52) **U.S. Cl.**

USPC ..... **D9/449**

(58) **Field of Classification Search**

USPC ..... D7/316-318, 392.1, 396.2, 412, 507,  
D7/509, 510, 511; D9/434, 435, 449, 454,  
D9/447, 438

CPC ..... B65D 51/20; A47J 43/0727; A47G 19/22  
See application file for complete search history.

*Primary Examiner* — Robert M Spear

*Assistant Examiner* — Marissa J Cash

(74) *Attorney, Agent, or Firm* — R. Reams Goodloe, Jr.

(57)

**CLAIM**

The ornamental design for a spill resistant tab for drink-through lids for a beverage container, as shown and described.

(56) **References Cited**

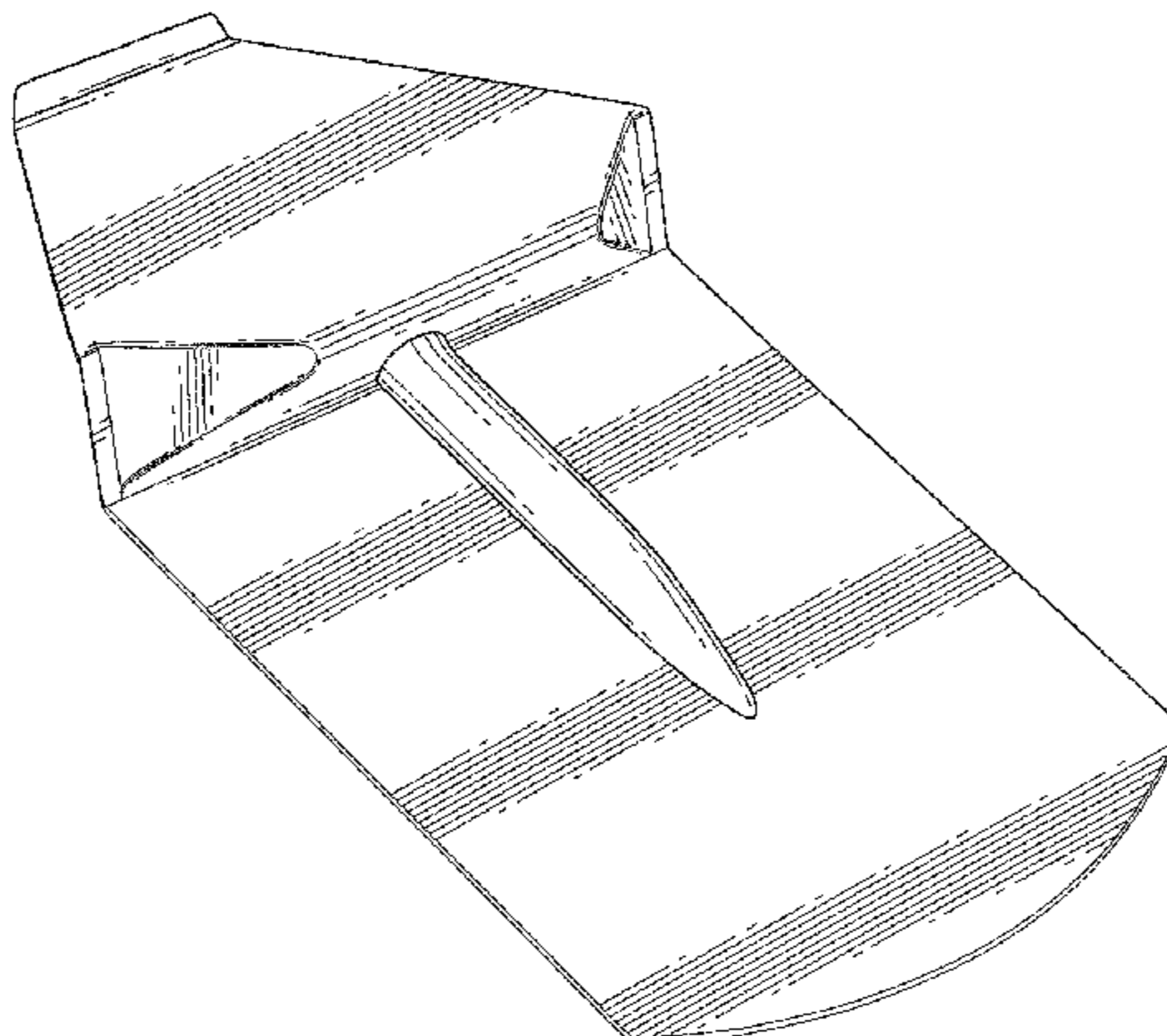
**DESCRIPTION**

U.S. PATENT DOCUMENTS

2,358,600 A 9/1944 Selten  
2,362,354 A 11/1944 Clovis  
3,360,161 A 12/1967 Smith  
3,400,855 A 9/1968 Alexander  
3,868,043 A 2/1975 Freemyer  
3,938,695 A 2/1976 Ruff  
3,977,559 A 8/1976 Lombardi  
3,994,411 A 11/1976 Elfelt et al.  
4,085,861 A 4/1978 Ruff  
4,090,660 A \* 5/1978 Schram et al. .... 229/404  
4,245,752 A 1/1981 Prueher  
4,502,608 A \* 3/1985 Mills ..... 220/712  
4,582,214 A 4/1986 Dart et al.  
4,586,625 A 5/1986 Garrett  
4,589,569 A 5/1986 Clements  
4,609,124 A 9/1986 Malloy  
4,619,372 A 10/1986 McFarland

FIG. 1 is top perspective view of a spill resistant tab for drink-through lids.  
FIG. 2 is a front side view of a second embodiment for a spill resistant tab.  
FIG. 3 is a back side view of a second embodiment for a spill resistant tab.  
FIG. 4 is a left side view of a second embodiment for a spill resistant tab.  
FIG. 5 is a right side view of a second embodiment for a spill resistant tab.  
FIG. 6 is a top plan view of a second embodiment for a spill resistant tab; and,  
FIG. 7 is a bottom plan view of a second embodiment for a spill resistant tab.

**1 Claim, 1 Drawing Sheet**



(56)

References Cited

U.S. PATENT DOCUMENTS

4,949,865 A 8/1990 Turner  
 4,986,437 A 1/1991 Farmer  
 5,111,961 A 5/1992 Van Melle  
 5,183,172 A 2/1993 Boller  
 D342,097 S \* 12/1993 Seaman ..... D20/10  
 D345,673 S 4/1994 Dark  
 5,370,258 A 12/1994 Fair  
 5,398,843 A 3/1995 Warden et al.  
 5,540,350 A 7/1996 Lansky  
 5,542,670 A 8/1996 Morano  
 D377,313 S \* 1/1997 Tipp ..... D9/434  
 D377,810 S \* 2/1997 Chaperon ..... D20/27  
 5,699,927 A 12/1997 Lane et al.  
 5,820,016 A 10/1998 Stropkay  
 5,894,952 A 4/1999 Mendenhall et al.  
 5,897,019 A 4/1999 Stropkay  
 D416,755 S 11/1999 Trombly  
 5,988,426 A 11/1999 Stern  
 6,003,711 A 12/1999 Bilewitz  
 6,311,863 B1 11/2001 Fleming  
 6,325,236 B1 12/2001 Wong  
 6,375,033 B1 4/2002 Fleming  
 D456,713 S \* 5/2002 Bried et al. .... D9/449  
 6,419,105 B1 7/2002 Bruce et al.  
 6,571,973 B1 6/2003 Tripsianes  
 D480,754 S \* 10/2003 Berger ..... D19/1  
 6,644,490 B2 11/2003 Clarke  
 D485,758 S 1/2004 Clarke et al.  
 6,886,707 B2 5/2005 Giraud  
 7,100,790 B2 9/2006 Dark  
 D539,649 S 4/2007 Smith et al.  
 D539,650 S 4/2007 Smith et al.  
 D540,165 S 4/2007 Hollis et al.  
 D546,180 S 7/2007 Jowett et al.  
 D547,605 S 7/2007 Edelstein et al.  
 7,246,716 B2 7/2007 Durdon  
 7,275,652 B2 10/2007 Morris et al.  
 D566,552 S \* 4/2008 Vette ..... D9/449  
 7,353,582 B2 4/2008 MacKenzie et al.  
 7,484,638 B2 2/2009 Mazzarolo  
 D592,056 S 5/2009 Tedford, Jr.  
 D592,952 S 5/2009 Hundley et al.  
 7,556,172 B2 7/2009 Lane  
 7,591,393 B2 9/2009 Crudgington, Jr.  
 D622,995 S \* 9/2010 Beraha ..... D6/595  
 D627,827 S \* 11/2010 Rogers ..... D20/27  
 D632,174 S 2/2011 Charbonnet et al.  
 D634,192 S 3/2011 Mueller  
 D635,855 S 4/2011 Smith  
 D637,079 S 5/2011 Brown et al.  
 7,959,029 B2 6/2011 Whitaker et al.  
 D641,242 S \* 7/2011 Pfarrhofer ..... D9/449  
 D643,245 S \* 8/2011 Minarsch ..... D7/392.1  
 D652,300 S \* 1/2012 Anderson et al. .... D9/457  
 D655,161 S 3/2012 Daniel  
 D655,162 S 3/2012 Daniel  
 D656,023 S 3/2012 Baker et al.

D660,718 S \* 5/2012 McDermott et al. .... D9/707  
 D679,753 S \* 4/2013 Sato et al. .... D19/1  
 D681,453 S \* 5/2013 Glass et al. .... D9/433  
 D690,988 S 10/2013 Audette  
 D691,847 S 10/2013 Beckman  
 D692,756 S \* 11/2013 McClellan et al. .... D9/447  
 8,616,405 B2 12/2013 French et al.  
 D709,367 S \* 7/2014 Fleming ..... D9/435  
 D713,685 S \* 9/2014 Eyal ..... D7/507  
 D721,271 S \* 1/2015 Fabiszewski ..... D9/438  
 D721,540 S \* 1/2015 Grcic ..... D7/511  
 8,950,623 B2 \* 2/2015 Fleming ..... 220/713  
 9,061,796 B2 \* 6/2015 Caldwell et al.  
 2002/0038803 A1 4/2002 Malcolm  
 2003/0218017 A1 11/2003 Schmidtner et al.  
 2005/0087539 A1 4/2005 Waller  
 2007/0114236 A1 5/2007 Shiffer et al.  
 2008/0011762 A1 1/2008 Boone  
 2008/0061069 A1 3/2008 Edelstein et al.  
 2008/0245792 A1 \* 10/2008 Chou ..... 220/254.3  
 2009/0266828 A1 \* 10/2009 Cai et al. .... 220/712  
 2009/0266829 A1 10/2009 Bailey  
 2009/0294459 A1 12/2009 Hovsepian et al.  
 2009/0294460 A1 12/2009 Hovsepian et al.  
 2011/0114655 A1 5/2011 Bailey  
 2011/0266294 A1 11/2011 Charbonnet et al.  
 2012/0024871 A1 \* 2/2012 Hundley et al. .... 220/715

FOREIGN PATENT DOCUMENTS

CA 2635219 7/2008  
 EP 1118549 B1 5/2006  
 EP 1043243 B1 9/2006  
 EP 2121465 B1 12/2013  
 GB 2307633 A 6/1997  
 GB 2322289 A 6/1998  
 JP 09-156661 A 6/1997  
 WO WO 96/39068 12/1996  
 WO WO 2009/008587 A1 1/2009  
 WO WO 2009/036426 A2 3/2009

OTHER PUBLICATIONS

Louise Harpman & Scott Specht, Cabinet Magazine, Inventory/Peel, Pucker, Pinch, Puncture. Issue 19, Chance Fall 2005 (2005-09-00). <http://www.cabinetmagazine.org/issues/19/harpman.php> (4 pages).  
 Nicola, Edible Geography, The Evolution of Lids. (May 9, 2011), <http://www.ediblegeography.com/the-evolution-of-lids/> (7 pages).  
 Date unknown. Printed Nov. 15, 2013. Product Design (physical goods): Why is the Solo Traveler the dominant coffee cup lid? <http://www.quora.com/Product-Design-physical-goods/Why-is-the-Solo-Traveler-the-dominant-coffee-cup-lid> (7 pages).  
 PCT International Search Report—PCT/US2015/015069 (May 15, 2015) ISA:—Korean Intellectual Property Office (3 pages).  
 PCT Written Opinion of the International Searching Authority—PCT/US2015/015069 (May 15, 2015) ISA:—Korean Intellectual Property Office (10 pages).

\* cited by examiner

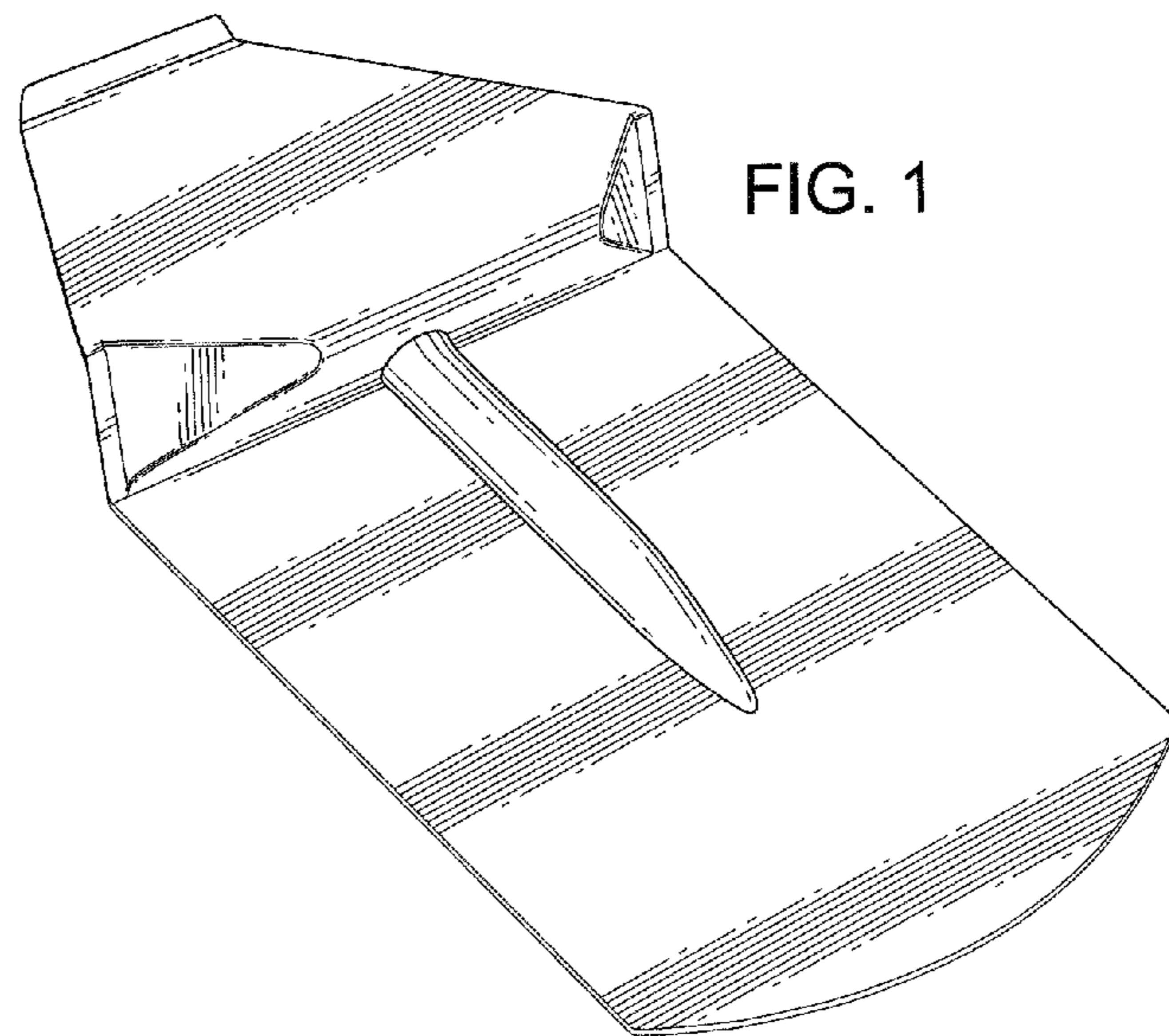


FIG. 1

FIG. 2



FIG. 3

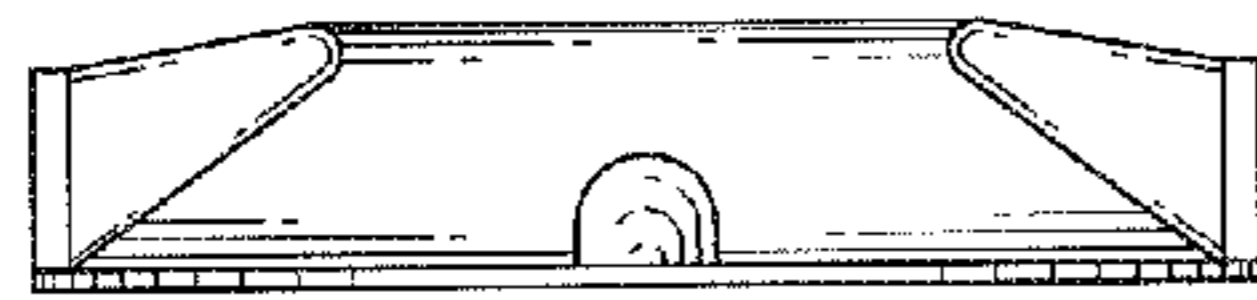


FIG. 4

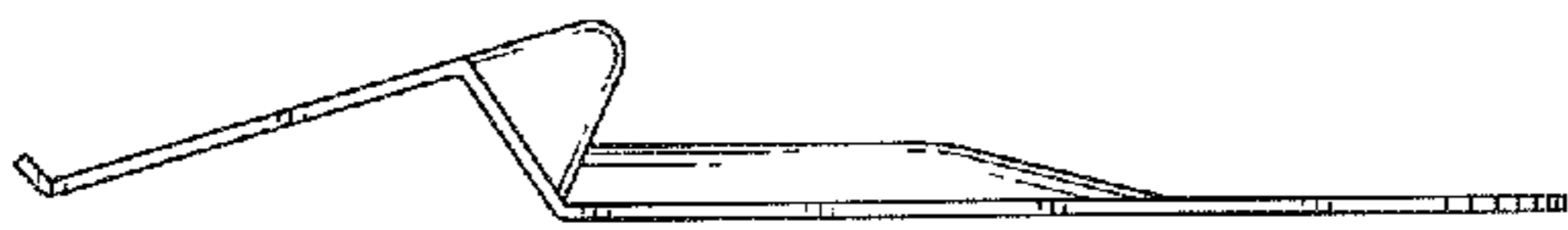


FIG. 5

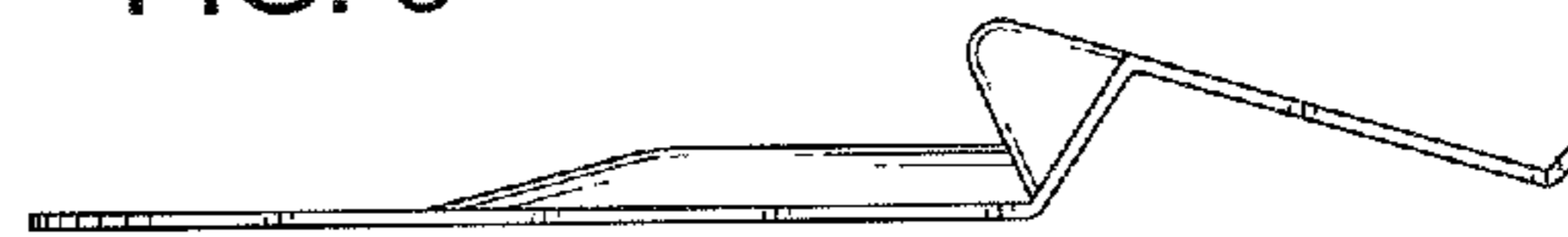


FIG. 6

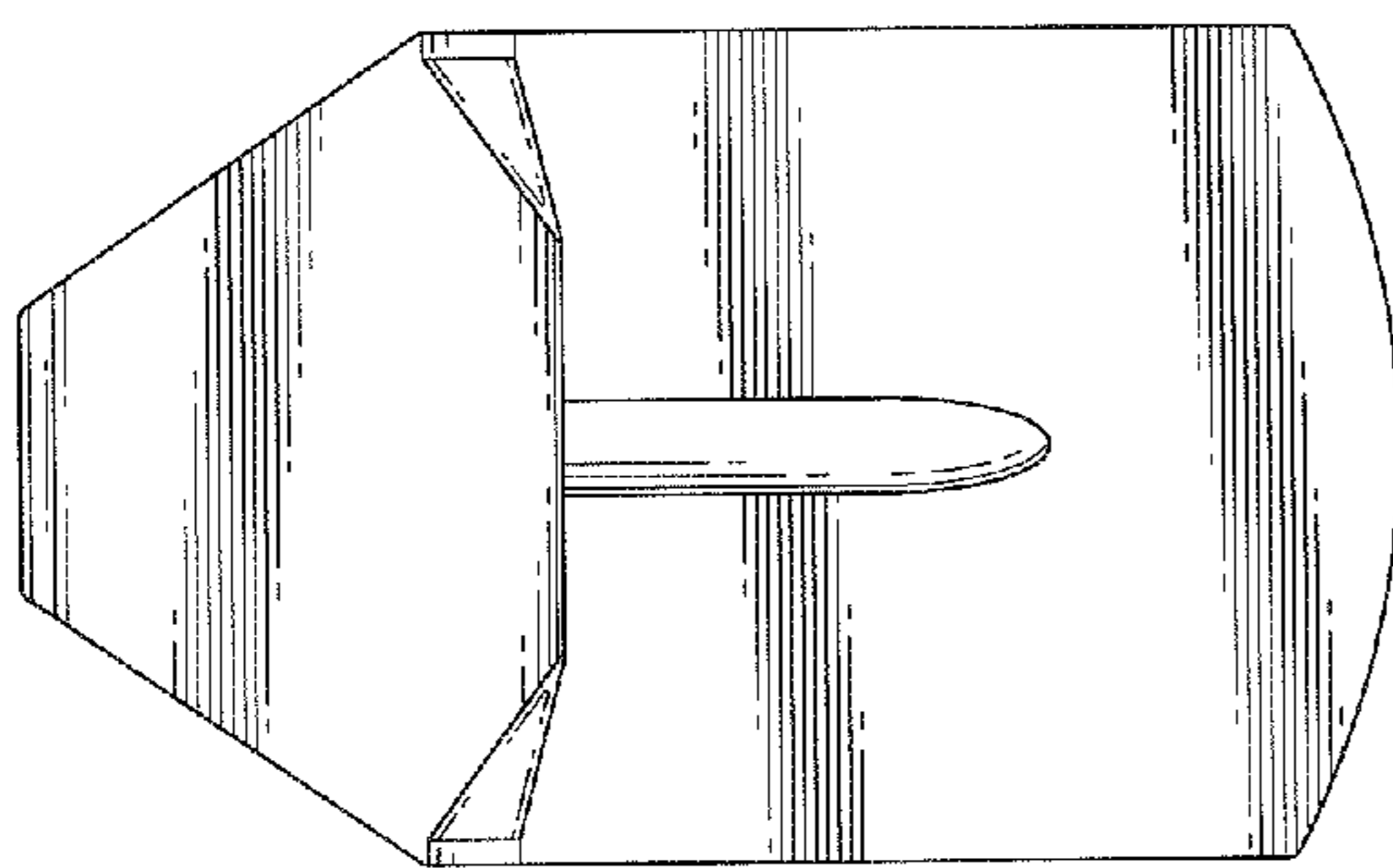


FIG. 7

