



US00D751395S

(12) **United States Design Patent**  
**Willows et al.**

(10) **Patent No.:** **US D751,395 S**  
(45) **Date of Patent:** **\*\* Mar. 15, 2016**

- (54) **BOTTLE CAP**
- (71) Applicant: **Amphipod, Inc.**, Seattle, WA (US)
- (72) Inventors: **Keith S Willows**, Seattle, WA (US);  
**June A. Angus**, Seattle, WA (US);  
**Antonio Del Rosario**, Bellevue, WA (US)
- (73) Assignee: **AMPHIPOD, INC.**, Seattle, WA (US)
- (\*\*) Term: **14 Years**
- (21) Appl. No.: **29/496,229**
- (22) Filed: **Jul. 10, 2014**
- (51) **LOC (10) Cl.** ..... **09-07**
- (52) **U.S. Cl.**  
USPC ..... **D9/447**
- (58) **Field of Classification Search**  
USPC ..... D7/300, 316, 387, 396.2, 397, 510;  
D8/352, 399; D9/420, 428, 429,  
D9/434-436, 440, 443, 439, 444-447, 449,  
D9/450-454, 456, 499, 503, 504, 549, 715,  
D9/717, 718, 728, 738, 741; D23/260,  
D23/269, 390; D24/224; 99/375; 215/252;  
220/212, 371, 530, 608, 711, 713, 839;  
426/394  
CPC ..... B65D 51/1688  
See application file for complete search history.

D656,820 S *	4/2012	Willows	.....	D9/447
D657,194 S *	4/2012	McIntire	.....	D7/510
D666,096 S *	8/2012	Cummings	.....	D9/447
D691,420 S *	10/2013	McIntire	.....	D7/510
D701,765 S *	4/2014	Fukumoto	.....	D9/447
D719,827 S *	12/2014	Duran	.....	D9/447
D723,917 S *	3/2015	Koffel	.....	D9/447
D736,562 S *	8/2015	Green	.....	D7/510
2005/0258201 A1 *	11/2005	Willows	.....	B65D 25/22 224/148.4

**OTHER PUBLICATIONS**

Amazon. Amphipod Hydroform Jett Squeeze Cap. Jan. 6, 2015 [online], [site visited Nov. 3, 2015]. Available from Internet, <URL:http://www.amazon.com/Amphipod-Hydroform-Jett-Squeeze-Cap/dp/B012X0ZD9W>.\*

\* cited by examiner

*Primary Examiner* — Robert M Spear  
*Assistant Examiner* — Darcey E Heflin

(74) *Attorney, Agent, or Firm* — Lowe Graham Jones PLLC

(57) **CLAIM**

We claim the ornamental design for a bottle cap, as shown and described.

**DESCRIPTION**

FIG. 1 is a top perspective view of a bottle cap, showing our new design.

FIG. 2 is a top plan view of the bottle cap; and, FIG. 3 is a front plan view of the bottle cap, in which the rear, left side, and right side views are identical.

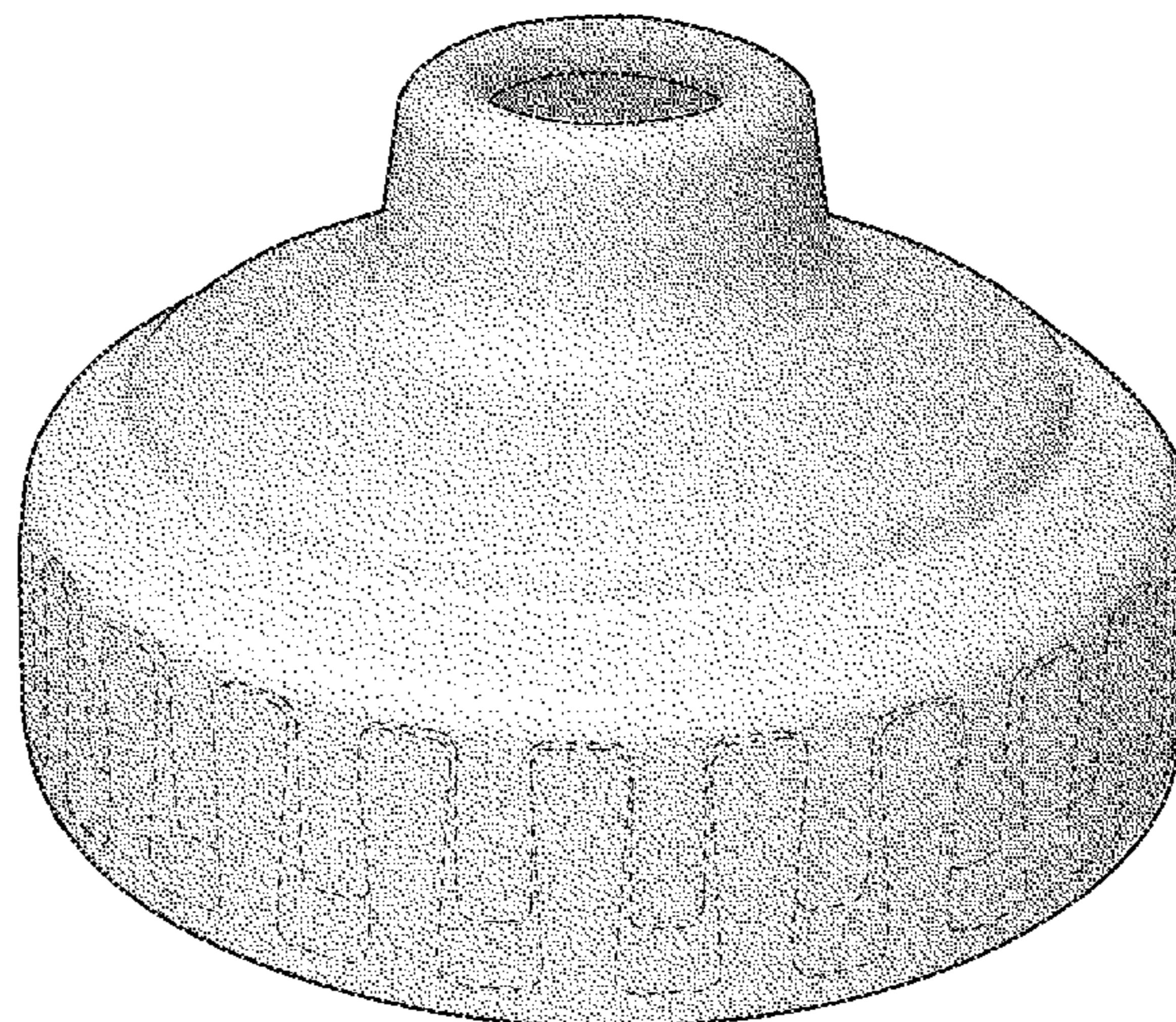
The bottom view is unornamented and not shown. Phantom lines in the drawings indicate an environment in which the bottle cap includes an grip detail that forms no part of the claimed design.

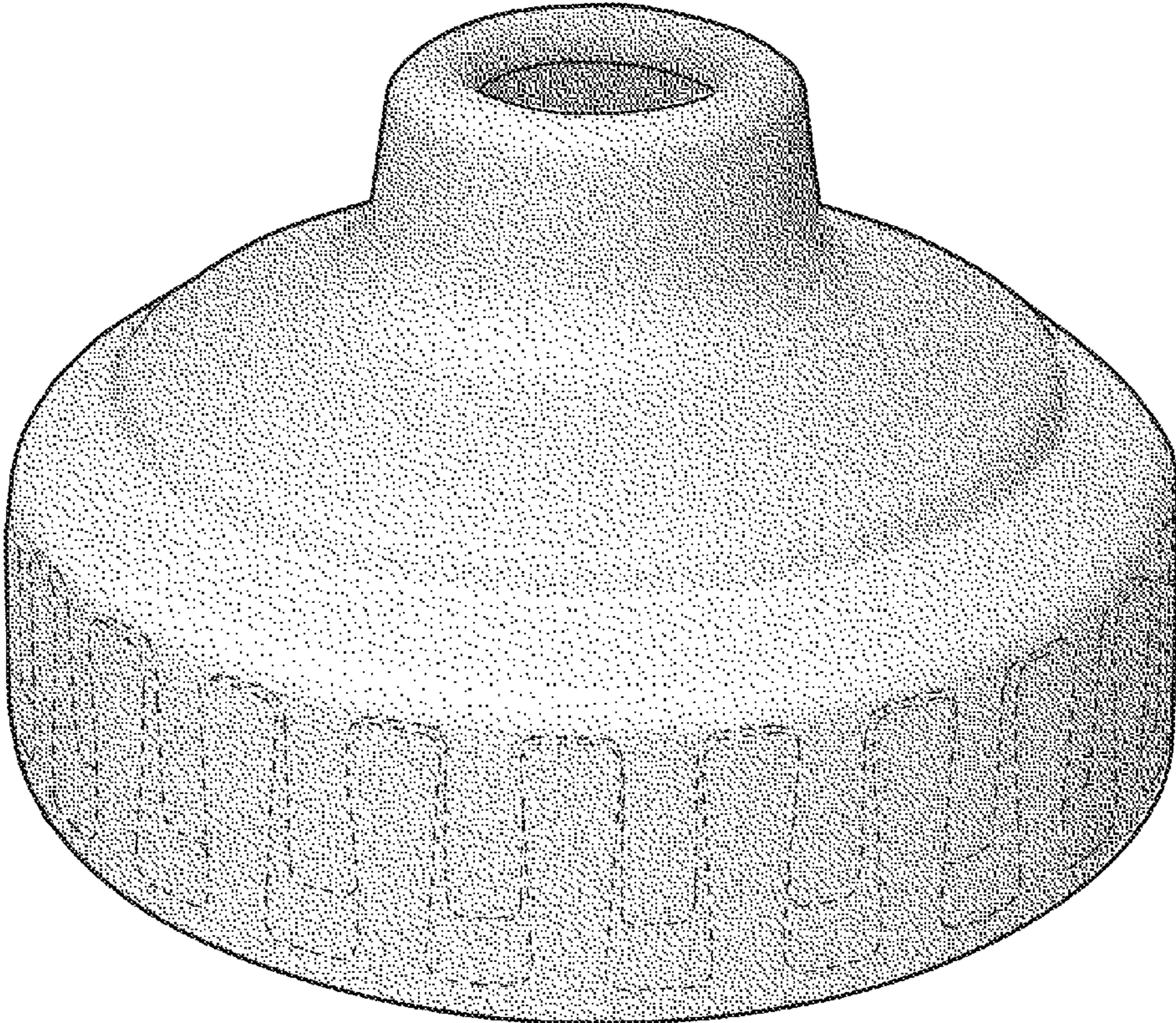
**1 Claim, 2 Drawing Sheets**

(56) **References Cited**

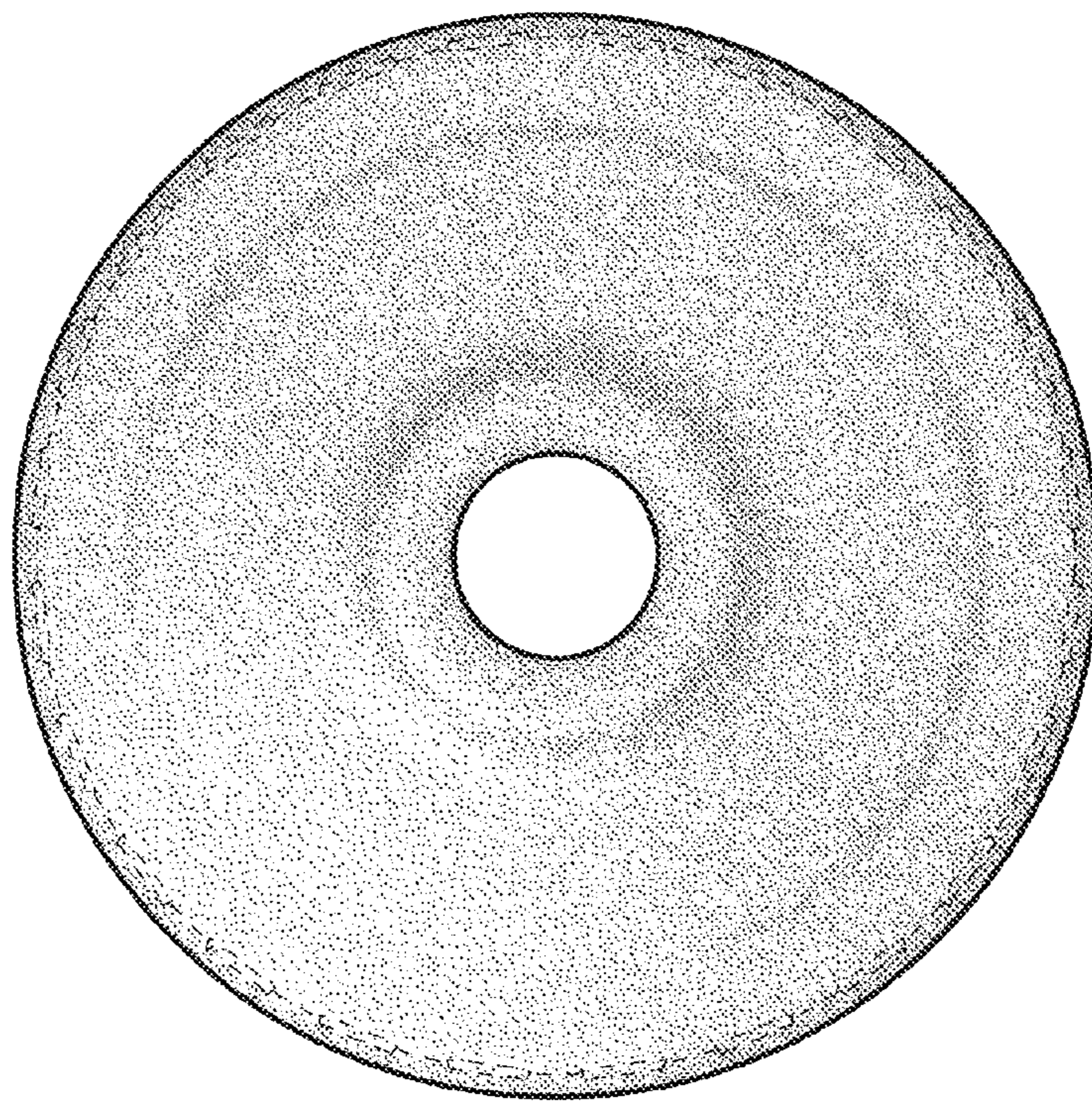
**U.S. PATENT DOCUMENTS**

D198,598 S *	7/1964	Milenkevich	.....	D9/447
D200,023 S *	1/1965	Porter	.....	D9/449
D442,434 S *	5/2001	Klima	.....	D7/510
D486,736 S *	2/2004	Kokubo	.....	D9/447
D582,767 S *	12/2008	Batton	.....	D9/447

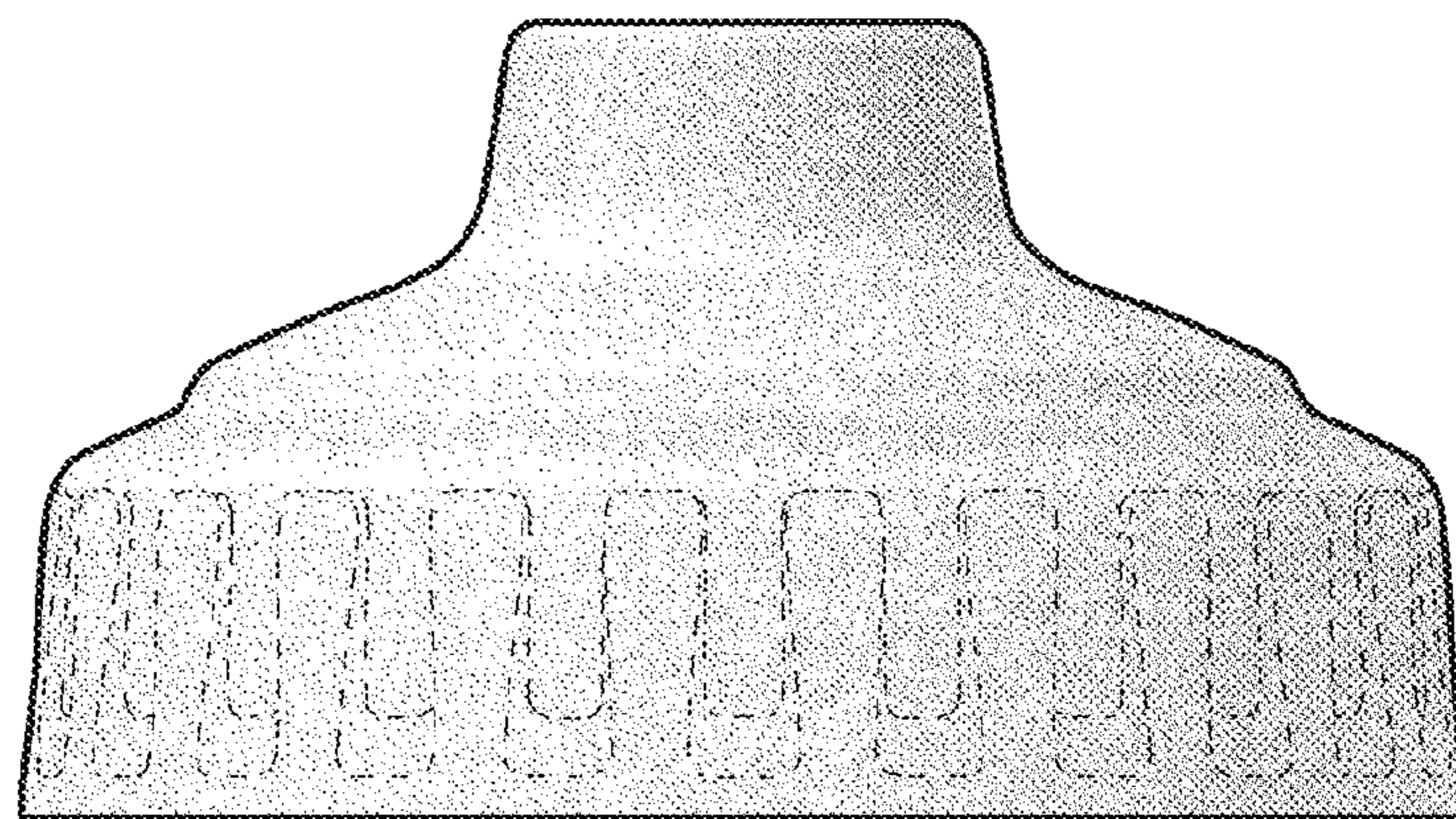




*Figure 1*



*Figure 2*



*Figure 3*