



US00D751392S

(12) **United States Design Patent**  
**Wu**

(10) **Patent No.:** **US D751,392 S**  
(45) **Date of Patent:** **\*\* Mar. 15, 2016**

(54) **RETAINING PIECE FOR DRINKING BOTTLE**

(71) Applicant: **SIENNA GROUP CORPORATION,**  
Taichung (TW)

(72) Inventor: **Chen-Kuei Wu,** Taichung (TW)

(73) Assignee: **SIENNA GROUP CORPORATION,**  
Taichung (TW)

(\*\*) Term: **14 Years**

(21) Appl. No.: **29/499,521**

(22) Filed: **Aug. 15, 2014**

(30) **Foreign Application Priority Data**

May 13, 2014 (TW) ..... 103302831

(51) **LOC (10) Cl.** ..... **09-07**

(52) **U.S. Cl.**  
USPC ..... **D9/436; D9/439; D7/396.2; D7/392.1**

(58) **Field of Classification Search**  
USPC ..... D7/400, 396.2, 523, 387, 391, 392,  
D7/392.1, 393, 396.1, 396.3, 397, 398,  
D7/399, 401, 401.1, 213, 700, 667, 601,  
D7/602, 603, 671, 672, 675, 589;  
D10/46.2; D9/434, 435, 436, 439, 440,  
D9/444, 447; 220/709, 23.89, 229, 212.5;  
D3/203.1, 203.2, 302; D23/209, 268;  
215/397

CPC ... B29C 33/50; B29C 33/0038; A47J 31/005;  
A47J 31/06; A47J 31/00; A47J 31/10; A47J  
31/02; A47J 31/14; A47G 19/2222; A47G  
19/2272; B65D 21/0233

See application file for complete search history.

(56) **References Cited**

**U.S. PATENT DOCUMENTS**

571,708 A \* 11/1896 Thompson ..... B65D 47/247  
137/845  
1,025,380 A \* 5/1912 Curtis ..... A45F 3/20  
206/218

2,350,950 A \* 6/1944 Wiley ..... B65D 43/0218  
206/515  
D143,757 S \* 2/1946 Reinecke ..... D7/391  
2,765,639 A \* 10/1956 Bryant ..... A47G 19/2272  
215/309  
3,163,318 A \* 12/1964 Frank ..... B65D 83/40  
220/780  
3,265,255 A \* 8/1966 Mitchell ..... A47G 19/34  
222/425  
3,478,922 A \* 11/1969 Mole ..... B60K 15/04  
220/229  
D217,732 S \* 6/1970 Chlystun ..... D7/391  
4,427,110 A \* 1/1984 Shaw, Jr. .... A61B 19/029  
206/205  
4,454,944 A \* 6/1984 Shillington ..... A61M 5/3205  
206/366  
5,025,947 A \* 6/1991 Leone ..... A47G 21/18  
220/229

(Continued)

**OTHER PUBLICATIONS**

Sep. 26, 2009 [http://suburbanmomism.blogspot.com/2009\\_09\\_01\\_archive.html](http://suburbanmomism.blogspot.com/2009_09_01_archive.html) p. 6 The Snack Trap.\*

(Continued)

*Primary Examiner* — Marianne Pandozzi

*Assistant Examiner* — Jae Liang

(74) *Attorney, Agent, or Firm* — Jackson IPG PLLC;  
Demian K. Jackson

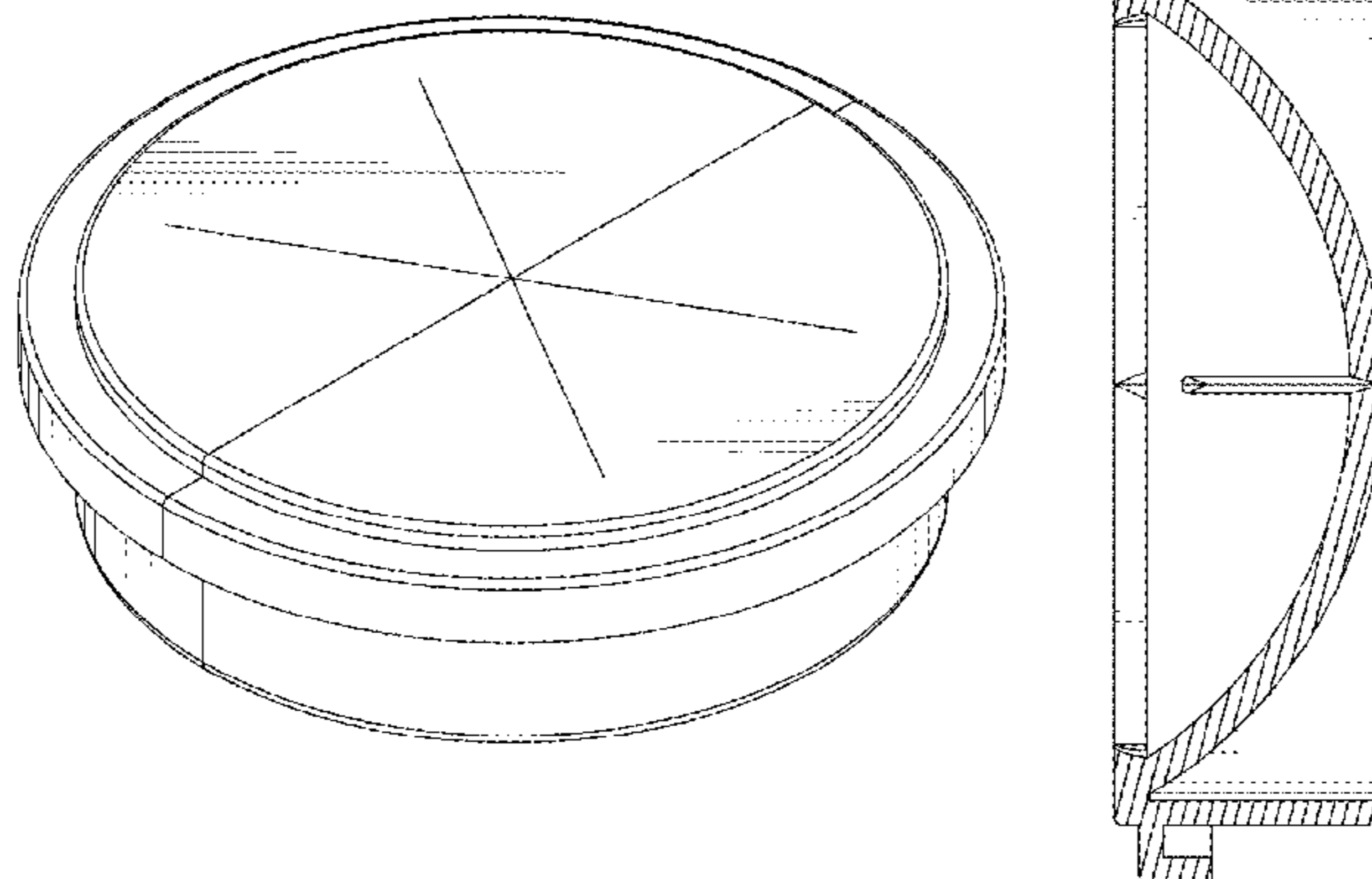
(57) **CLAIM**

The ornamental design for a retaining piece for drinking bottle, as shown and described.

**DESCRIPTION**

FIG. 1 a perspective view of a retaining piece for drinking bottle showing my new design;  
FIG. 2 is a front elevation view thereof;  
FIG. 3 is a rear elevation view thereof;  
FIG. 4 is a left side view thereof;  
FIG. 5 is a right side view thereof;  
FIG. 6 is a top plan view thereof;  
FIG. 7 is a bottom plan view thereof; and,  
FIG. 8 is a cross sectional view taking along line 8-8 of FIG. 6.

**1 Claim, 8 Drawing Sheets**



(56)

References Cited

U.S. PATENT DOCUMENTS

5,065,923 A \* 11/1991 Hoefler ..... A47G 19/30  
141/320  
5,100,009 A \* 3/1992 Thompson ..... B21D 51/30  
215/341  
5,152,394 A \* 10/1992 Hughes ..... A61M 5/3205  
206/366  
D341,779 S \* 11/1993 Lewis ..... D9/435  
D344,763 S \* 3/1994 Vitantonio ..... D20/28  
D352,896 S \* 11/1994 Jones ..... D9/503  
5,709,168 A \* 1/1998 Walker ..... A01K 5/0128  
119/61.5  
D415,961 S \* 11/1999 Faughey ..... D9/434  
D430,455 S \* 9/2000 Pickens ..... D7/392.1  
D434,660 S \* 12/2000 Conti ..... D7/391  
D444,063 S \* 6/2001 Buck ..... D9/447  
6,640,992 B1 \* 11/2003 Berger ..... A47G 19/2261  
220/603  
6,656,514 B1 \* 12/2003 Tubbs ..... B65D 47/0823  
220/229  
D509,101 S \* 9/2005 Søndergaard ..... D7/392.1  
D525,826 S \* 8/2006 Kugler ..... D7/392.1  
D531,036 S \* 10/2006 Bried ..... D9/504  
D540,670 S \* 4/2007 Moribata ..... D9/435  
D563,220 S \* 3/2008 Krivoshein ..... D9/439  
D633,387 S \* 3/2011 Gatto ..... D9/434  
D638,097 S \* 5/2011 Busick ..... D23/209  
8,091,325 B2 \* 1/2012 Stravitz ..... B65B 9/15  
53/370  
8,132,578 B2 \* 3/2012 LoPrete ..... A45D 33/003  
132/307  
D657,669 S \* 4/2012 Collins ..... D9/434

8,181,801 B2 \* 5/2012 Nuotio ..... B65D 47/2037  
215/301  
8,215,089 B2 \* 7/2012 Stravitz ..... B65B 67/1277  
53/370  
8,276,781 B1 \* 10/2012 Smith ..... B65D 25/48  
215/229  
8,307,491 B1 \* 11/2012 Michel ..... B01F 13/002  
15/210.1  
D679,940 S \* 4/2013 Paige ..... D7/392.1  
8,567,157 B2 \* 10/2013 Dunn ..... B65F 1/0006  
220/495.06  
8,739,501 B2 \* 6/2014 Dunn ..... B65F 1/0006  
220/229  
8,985,363 B2 \* 3/2015 Gubitosi ..... B65D 25/2867  
206/366  
D730,185 S \* 5/2015 Blanco ..... D9/439  
2002/0056660 A1 \* 5/2002 Gueret ..... A45D 34/00  
206/525  
2005/0263523 A1 \* 12/2005 Moss ..... B65D 43/0212  
220/229  
2008/0041851 A1 \* 2/2008 Thrapp ..... A45F 5/021  
220/229  
2008/0078762 A1 \* 4/2008 Iyer ..... B65D 47/2031  
220/229  
2008/0092916 A1 \* 4/2008 Song ..... A45D 33/02  
132/294  
2013/0233858 A1 \* 9/2013 Elberg ..... A47G 19/2222  
220/504  
2015/0102029 A1 \* 4/2015 Bargiel ..... A47G 19/2272  
220/23.89

OTHER PUBLICATIONS

Jul. 31, 2012 <http://global.rakuten.com/en/store/cocoleca/item/snacktrap/> The Snack Trap.\*

\* cited by examiner

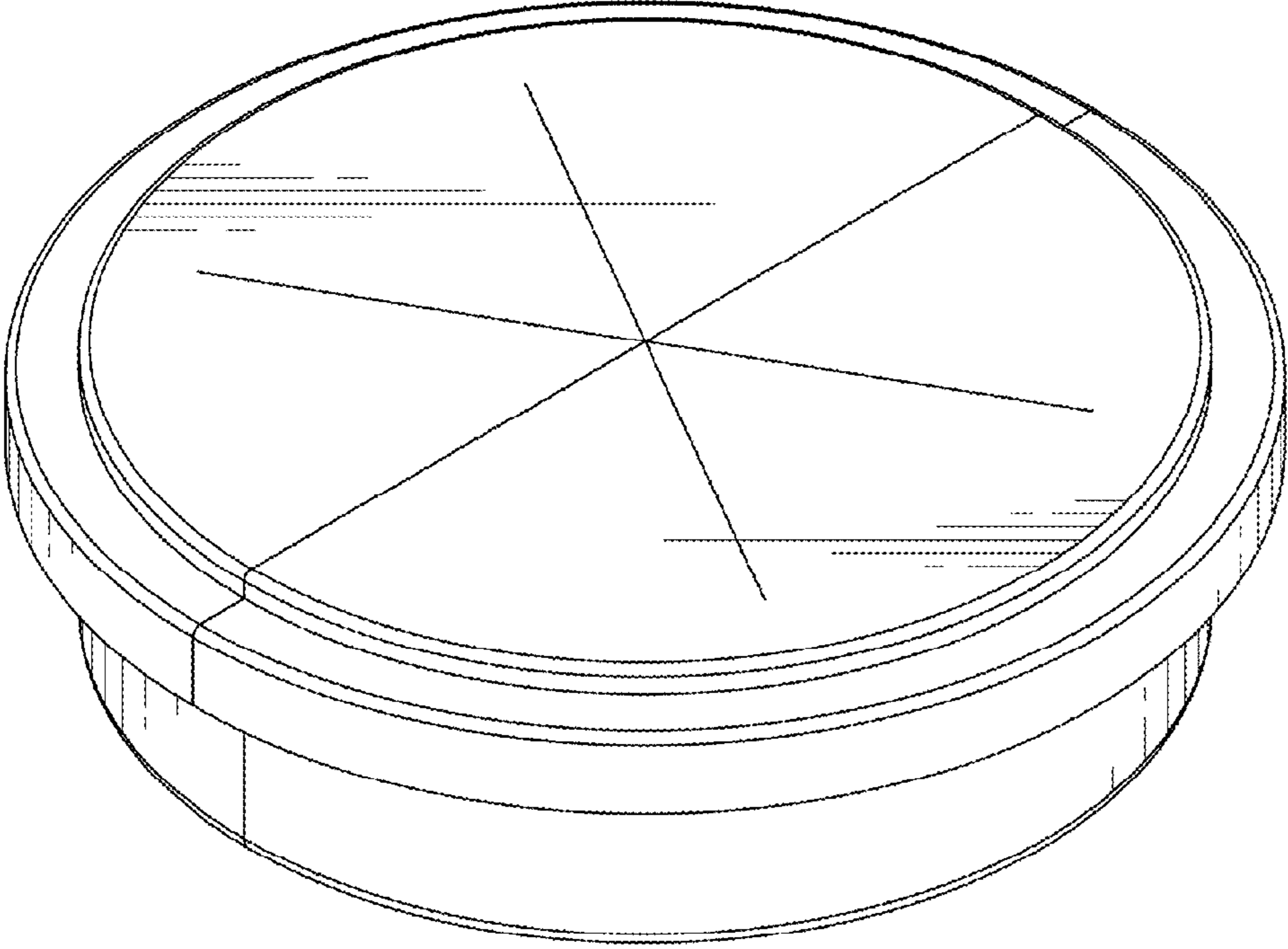


Fig. 1

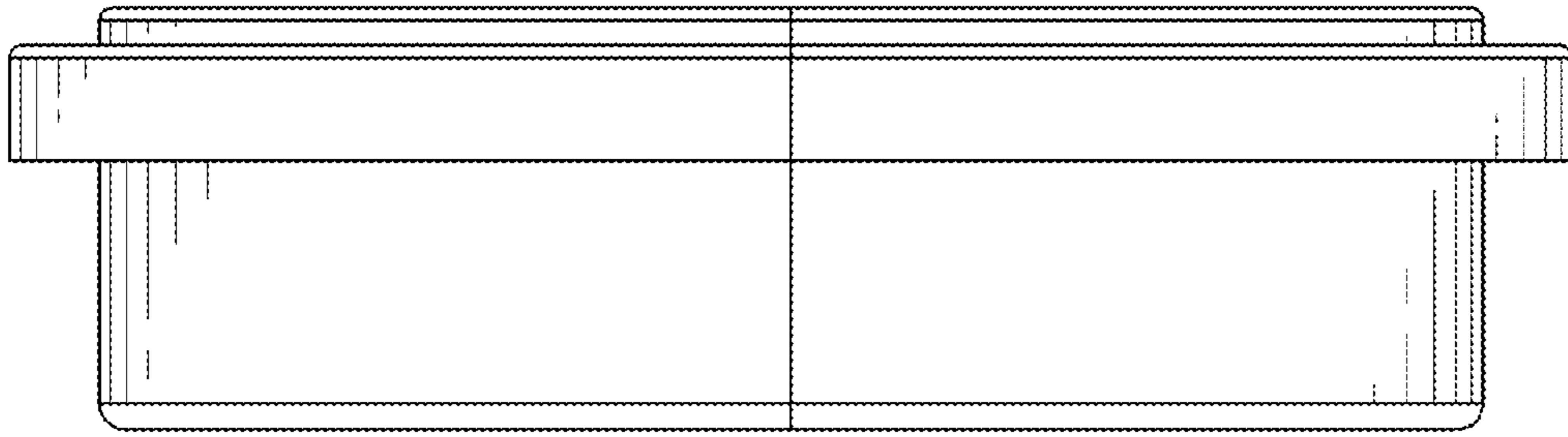


Fig. 2

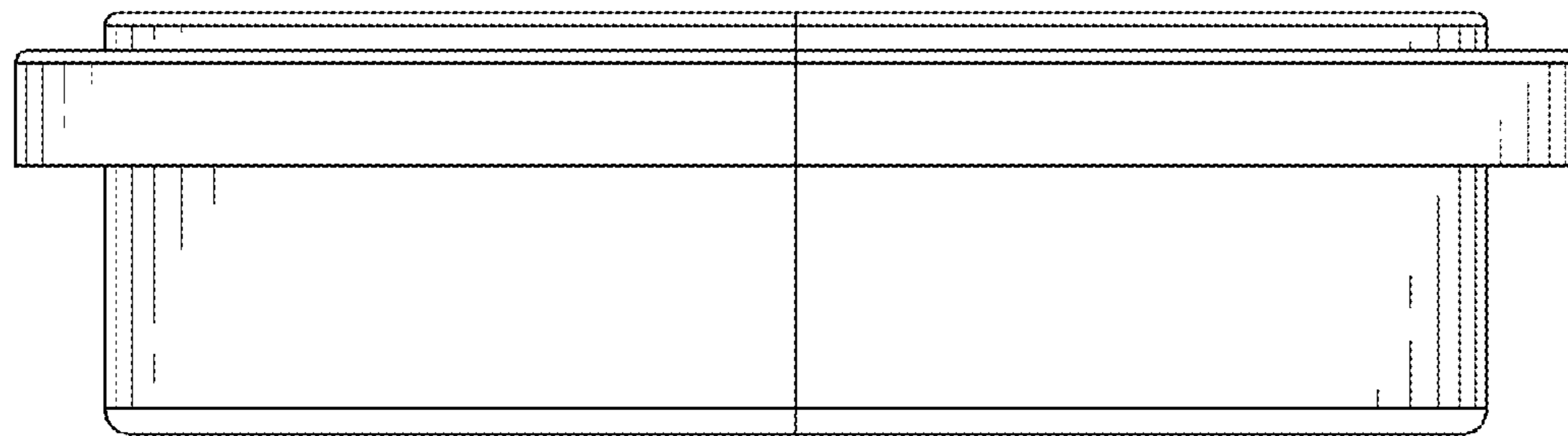


Fig. 3

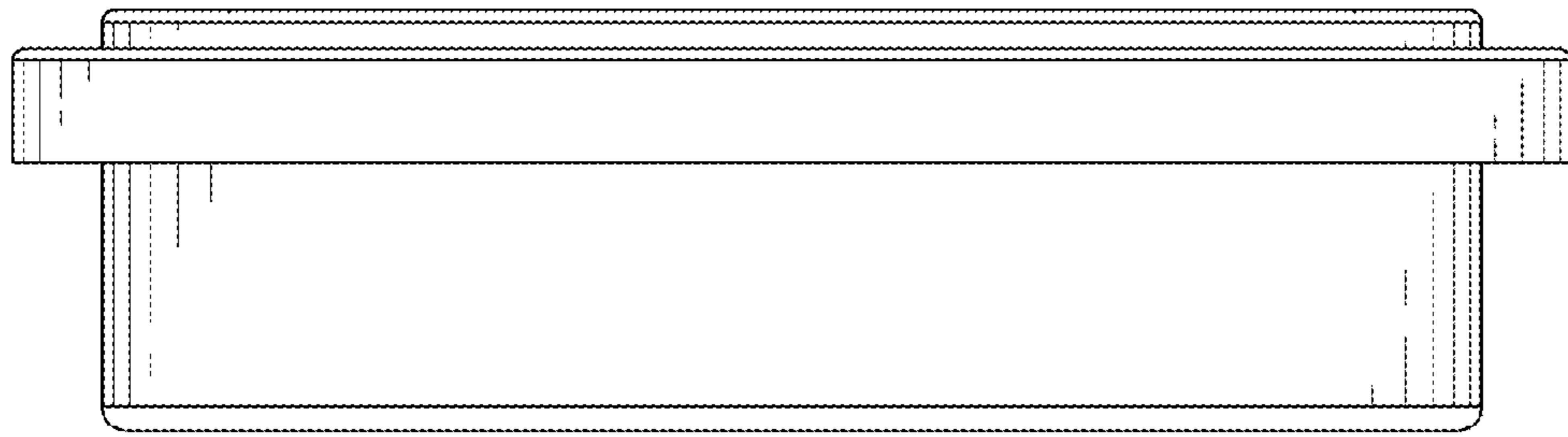


Fig. 4



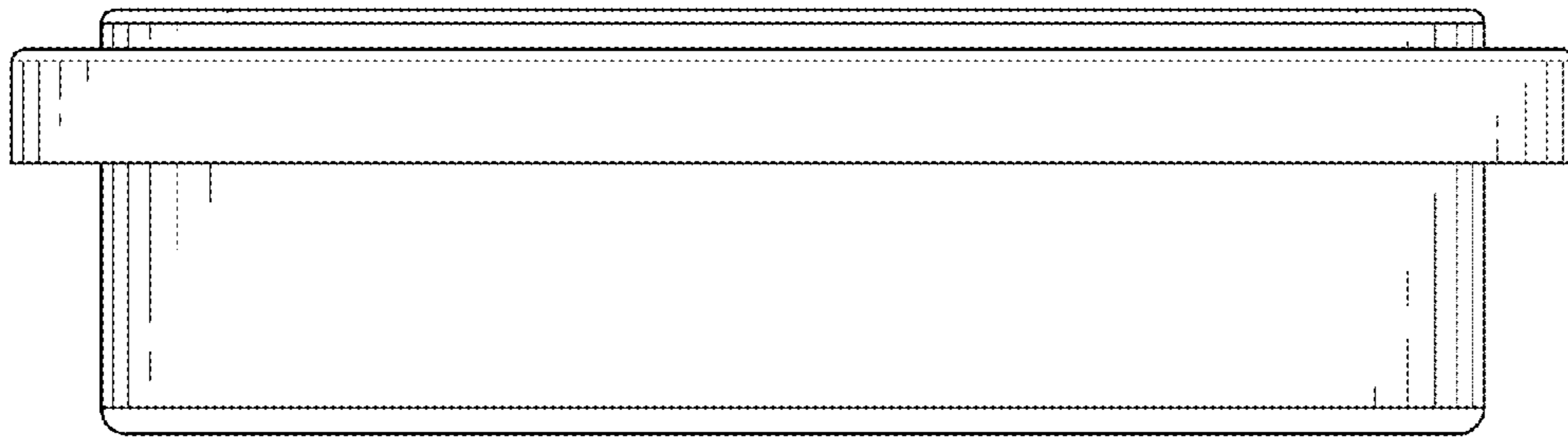


Fig. 5

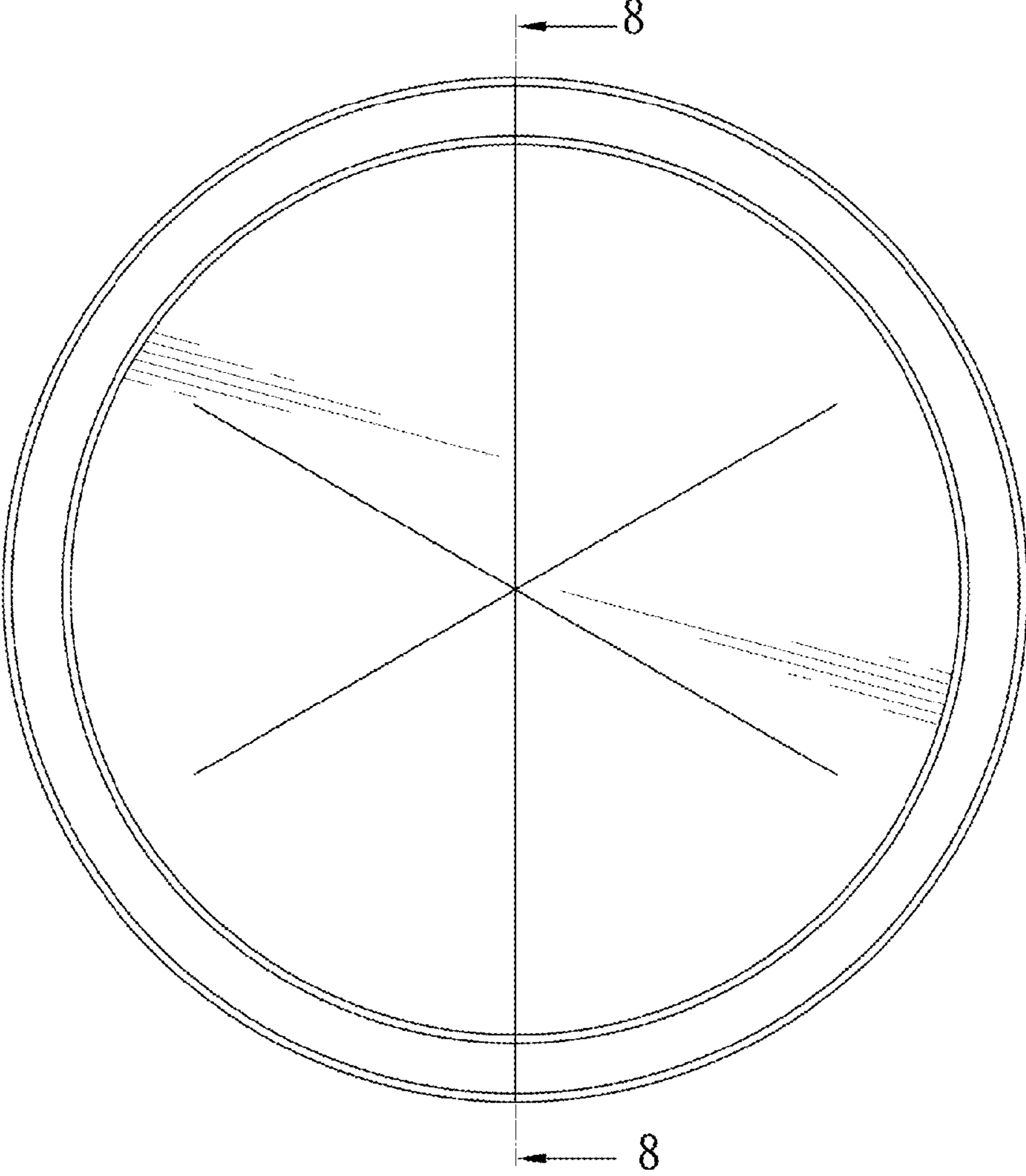


Fig. 6



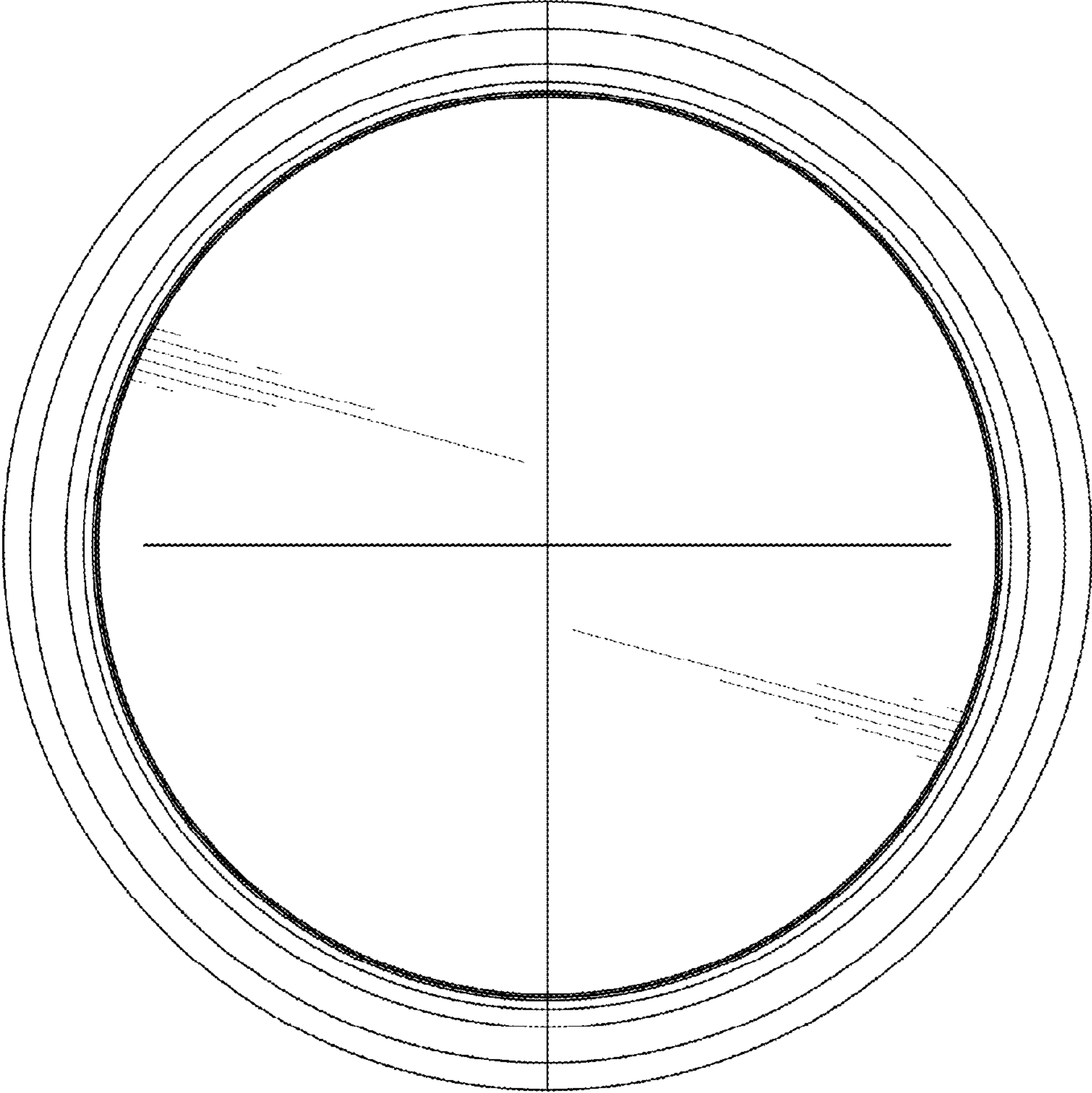


Fig. 7

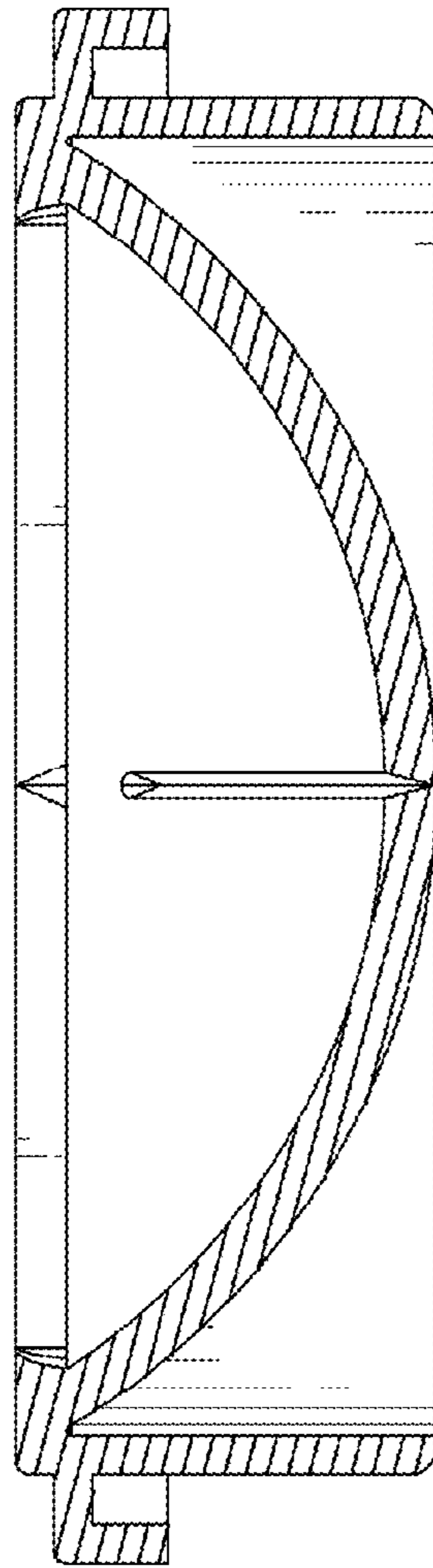


Fig. 8