



US00D751391S

(12) **United States Design Patent**
Wu

(10) **Patent No.:** **US D751,391 S**
(45) **Date of Patent:** **** Mar. 15, 2016**

(54) **RETAINING PIECE FOR DRINKING BOTTLE**

(56) **References Cited**

(71) Applicant: **SIENNA GROUP CORPORATION,**
Taichung (TW)

U.S. PATENT DOCUMENTS

(72) Inventor: **Chen-Kuei Wu,** Taichung (TW)

571,708	A *	11/1896	Thompson	B65D 47/247 137/845
3,163,318	A *	12/1964	Frank	B65D 83/40 220/780
3,265,255	A *	8/1966	Mitchell	A47G 19/34 222/425
3,478,922	A *	11/1969	Mole	B60K 15/04 220/229
4,427,110	A *	1/1984	Shaw, Jr.	A61B 19/029 206/205
4,454,944	A *	6/1984	Shillington	A61M 5/3205 206/366
5,025,947	A *	6/1991	Leone	A47G 21/18 220/229
5,065,923	A *	11/1991	Hoefer	A47G 19/30 141/320
5,100,009	A *	3/1992	Thompson	B21D 51/30 215/341
5,152,394	A *	10/1992	Hughes	A61M 5/3205 206/366

(73) Assignee: **SIENNA GROUP CORPORATION,**
Taichung (TW)

(**) Term: **14 Years**

(21) Appl. No.: **29/499,520**

(22) Filed: **Aug. 15, 2014**

(30) **Foreign Application Priority Data**

May 13, 2014 (TW) 103302832

(51) **LOC (10) Cl.** **09-07**

(52) **U.S. Cl.**
USPC **D9/436; D9/439; D7/396.2; D7/392.1;**
D7/396.3

(58) **Field of Classification Search**
USPC **D7/400, 396.2, 523, 387, 391, 392,**
D7/392.1, 393, 396.1, 396.3, 397, 398,
D7/399, 401, 401.1, 213, 700, 667, 601,
D7/602, 603, 671, 672, 675, 589;
D10/46.2; D9/434, 435, 436, 439, 440,
D9/444, 447; 220/709, 23.89, 229, 212.5;
D3/203.1, 203.2, 302; D23/209, 268;
215/397
CPC ... **B29C 33/50; B29C 33/0038; A47J 31/005;**
A47J 31/06; A47J 31/00; A47J 31/10; A47J
31/02; A47J 31/14; A47G 19/2222; A47G
19/2272; B65D 21/0233

See application file for complete search history.

(Continued)

Primary Examiner — Marianne Pandozzi
Assistant Examiner — Jae Liang
(74) *Attorney, Agent, or Firm* — Jackson IPG PLLC;
Demian K. Jackson

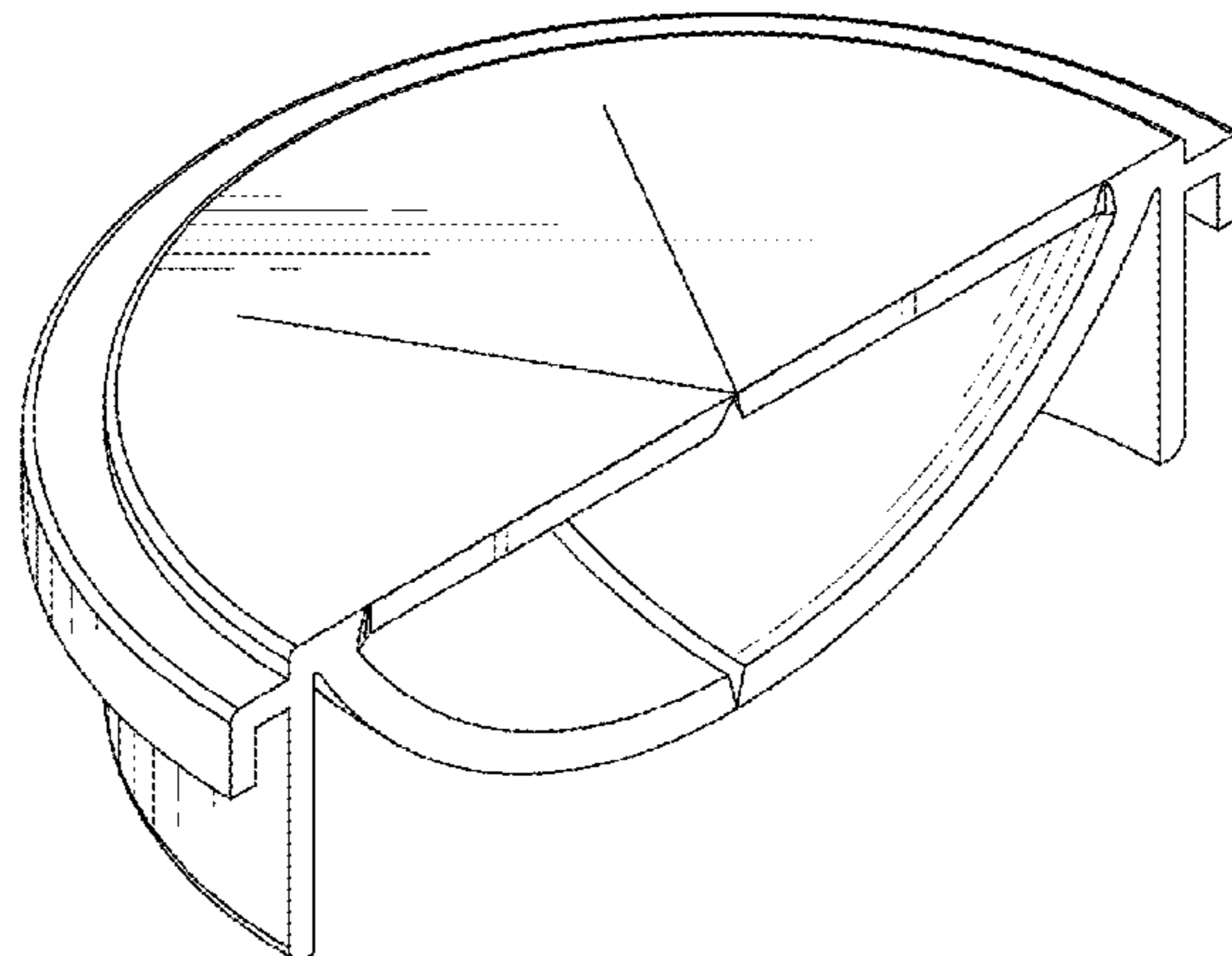
(57) **CLAIM**

The ornamental design for a retaining piece for drinking bottle, as shown and described.

DESCRIPTION

FIG. 1 a perspective view of a retaining piece for drinking bottle showing my new design;
FIG. 2 is a front elevation view thereof;
FIG. 3 is a rear elevation view thereof;
FIG. 4 is a left side view thereof;
FIG. 5 is a right side view thereof;
FIG. 6 is a top plan view thereof; and,
FIG. 7 is a bottom plan view thereof.

1 Claim, 7 Drawing Sheets



(56)

References Cited

U.S. PATENT DOCUMENTS

D341,779 S *	11/1993	Lewis	D9/435	8,215,089 B2 *	7/2012	Stravitz	B65B 67/1277 53/370
D344,763 S *	3/1994	Vitantonio	D20/28	8,276,781 B1 *	10/2012	Smith	B65D 25/48 215/229
D352,896 S *	11/1994	Jones	D9/503	8,307,491 B1 *	11/2012	Michel	B01F 13/002 15/210.1
5,709,168 A *	1/1998	Walker	A01K 5/0128 119/61.5	D674,711 S *	1/2013	Robbins	D10/46.2
D415,961 S *	11/1999	Faughey	D9/434	D679,940 S *	4/2013	Paige	D7/392.1
D444,063 S *	6/2001	Buck	D9/447	8,567,157 B2 *	10/2013	Dunn	B65F 1/0006 220/495.06
6,640,992 B1 *	11/2003	Berger	A47G 19/2261 220/603	8,739,501 B2 *	6/2014	Dunn	B65F 1/0006 220/229
6,656,514 B1 *	12/2003	Tubbs	B65D 47/0823 220/229	8,985,363 B2 *	3/2015	Gubitosi	B65D 25/2867 206/366
D509,101 S *	9/2005	Søndergaard	D7/392.1	D730,185 S *	5/2015	Blanco	D9/439
D531,036 S *	10/2006	Bried	D9/504	2002/0056660 A1 *	5/2002	Gueret	A45D 34/00 206/525
D540,670 S *	4/2007	Moribata	D9/435	2005/0263523 A1 *	12/2005	Moss	B65D 43/0212 220/229
D563,220 S *	3/2008	Krivoshein	D9/439	2008/0041851 A1 *	2/2008	Thrapp	A45F 5/021 220/229
D633,387 S *	3/2011	Gatto	D9/434	2008/0078762 A1 *	4/2008	Iyer	B65D 47/2031 220/229
D636,223 S *	4/2011	Neiheiser	D7/392.1	2008/0092916 A1 *	4/2008	Song	A45D 33/02 132/294
D647,595 S *	10/2011	Reid	D23/209	2013/0233858 A1 *	9/2013	Elberg	A47G 19/2222 220/504
8,091,325 B2 *	1/2012	Stravitz	B65B 9/15 53/370	2015/0102029 A1 *	4/2015	Bargiel	A47G 19/2272 220/23.89
8,132,578 B2 *	3/2012	LoPrete	A45D 33/003 132/307					
D657,669 S *	4/2012	Collins	D9/434					
8,181,801 B2 *	5/2012	Nuotio	B65D 47/2037 215/301					

* cited by examiner

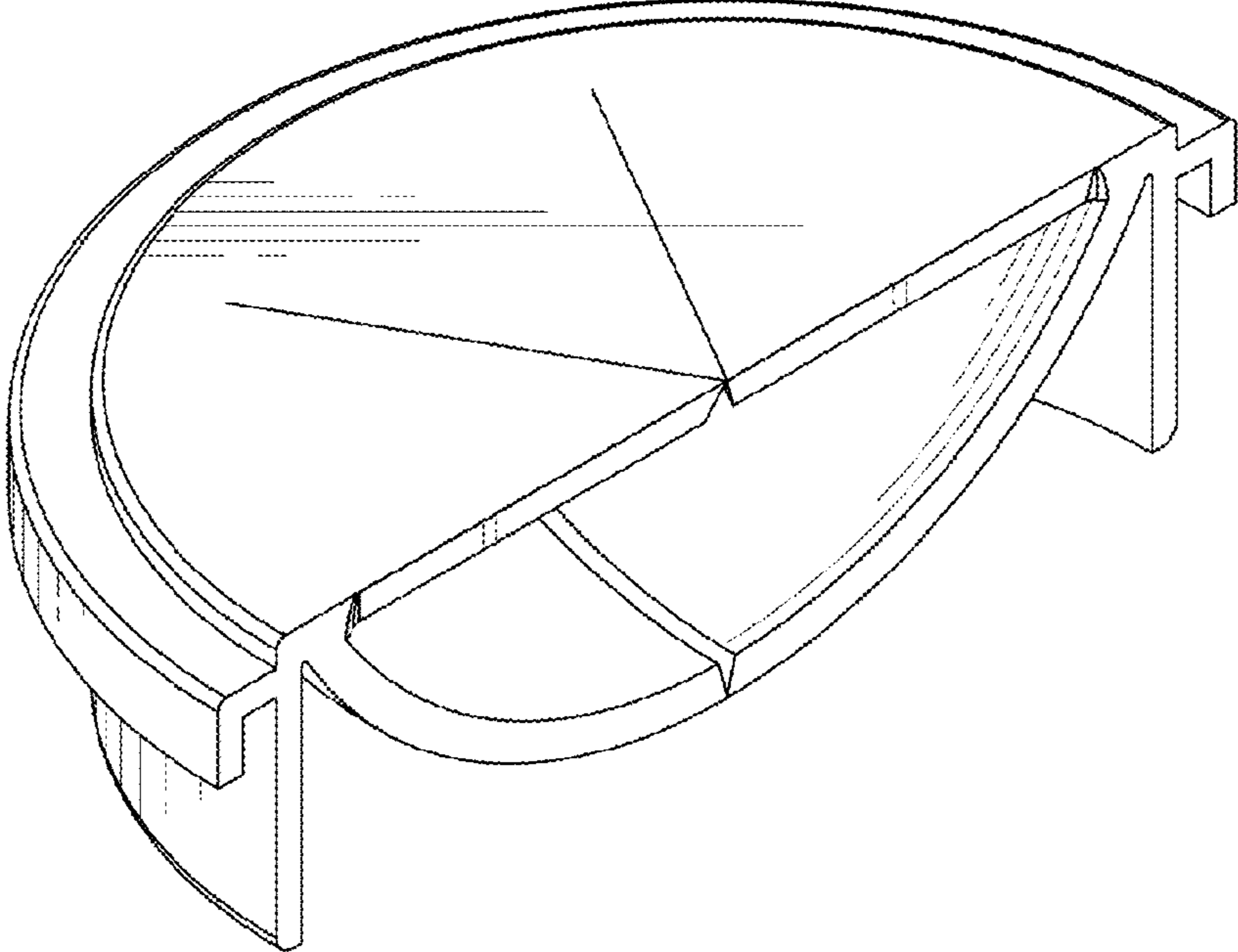


Fig. 1

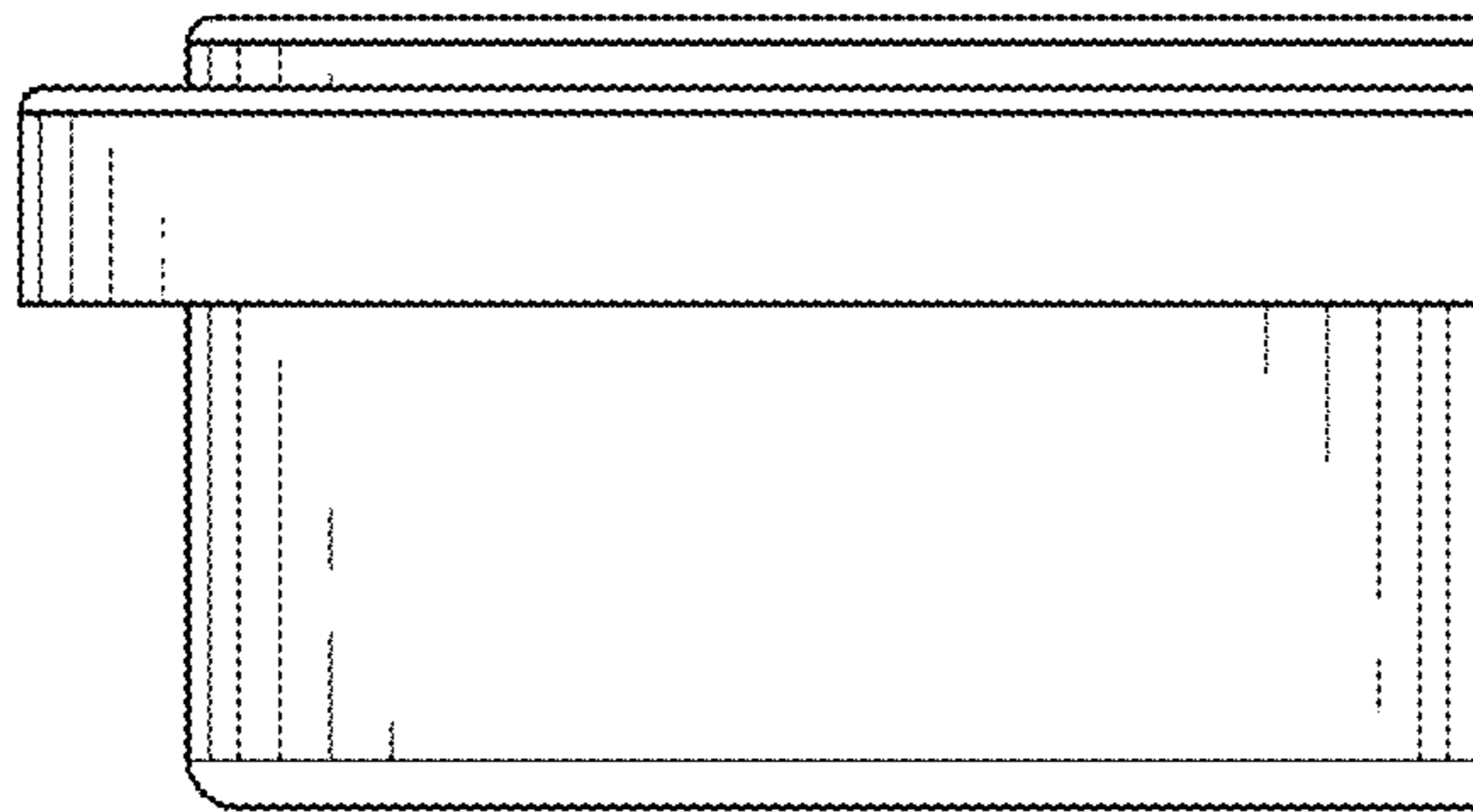


Fig. 2

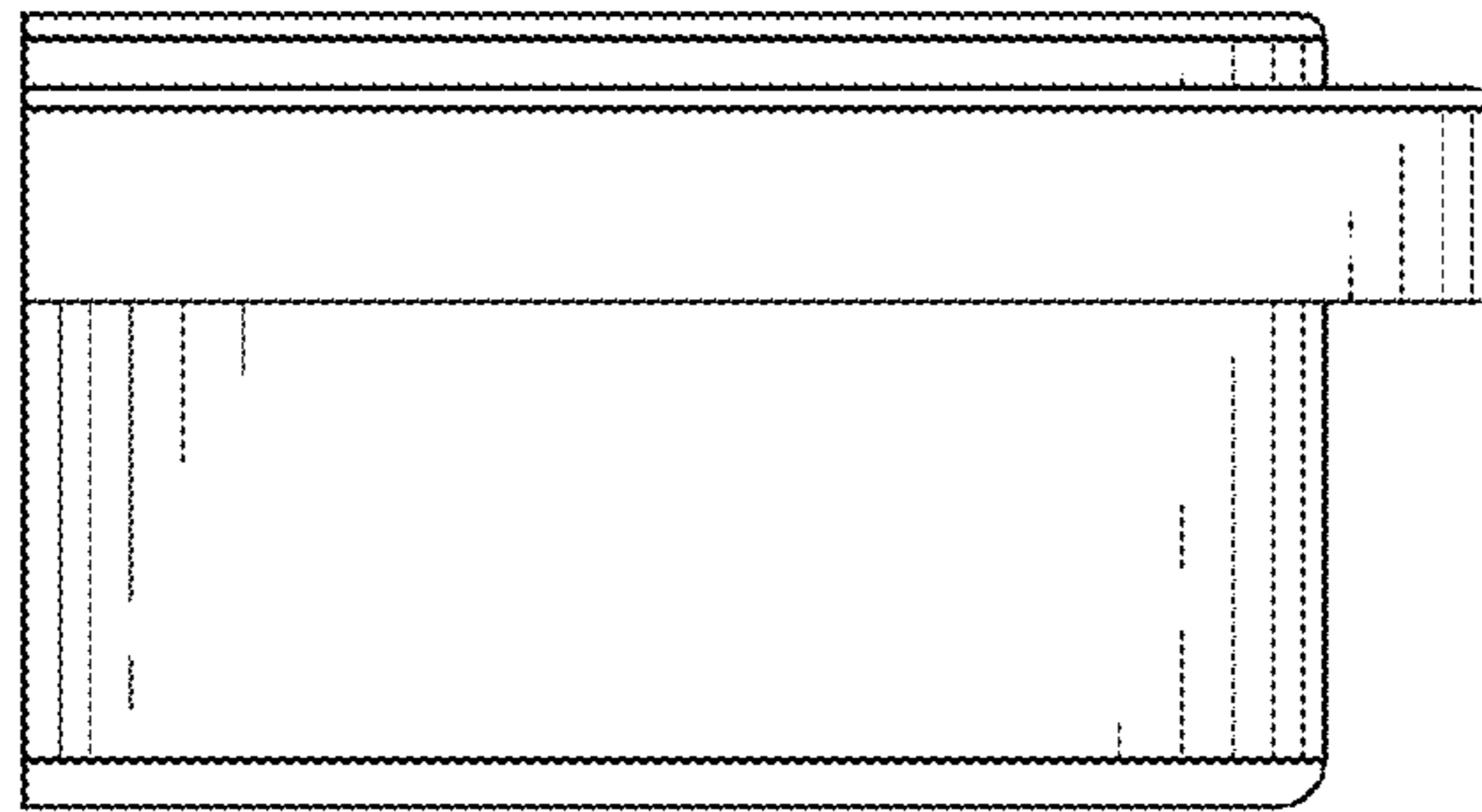


Fig. 3

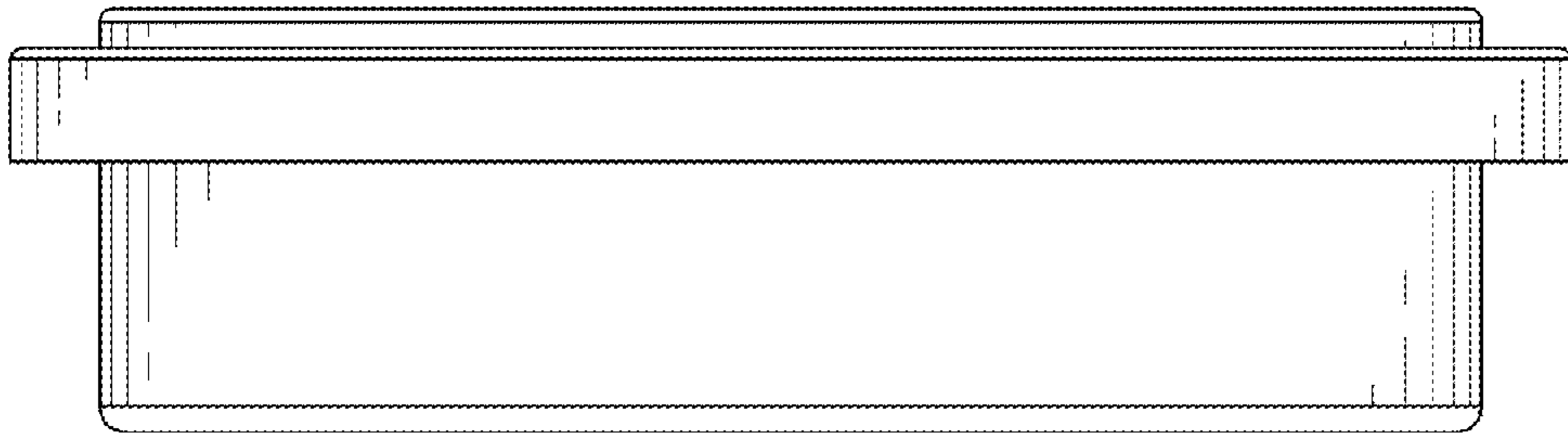


Fig. 4

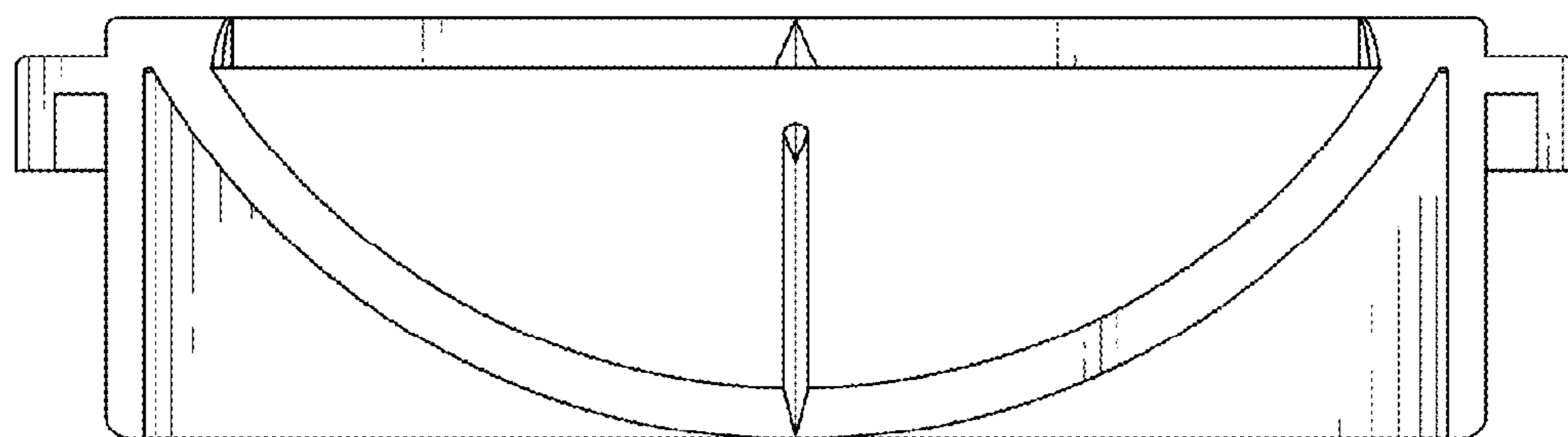


Fig. 5

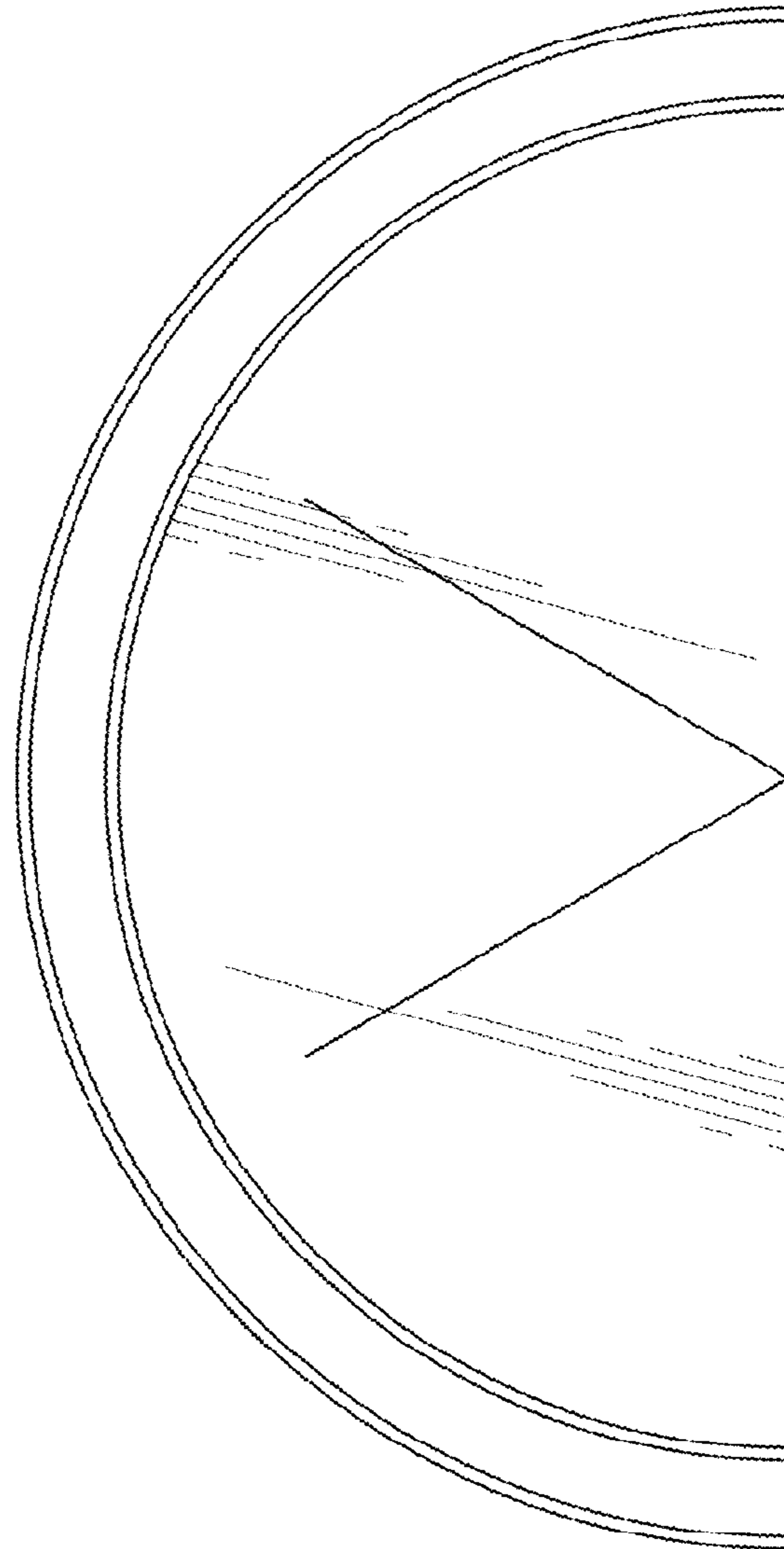


Fig. 6

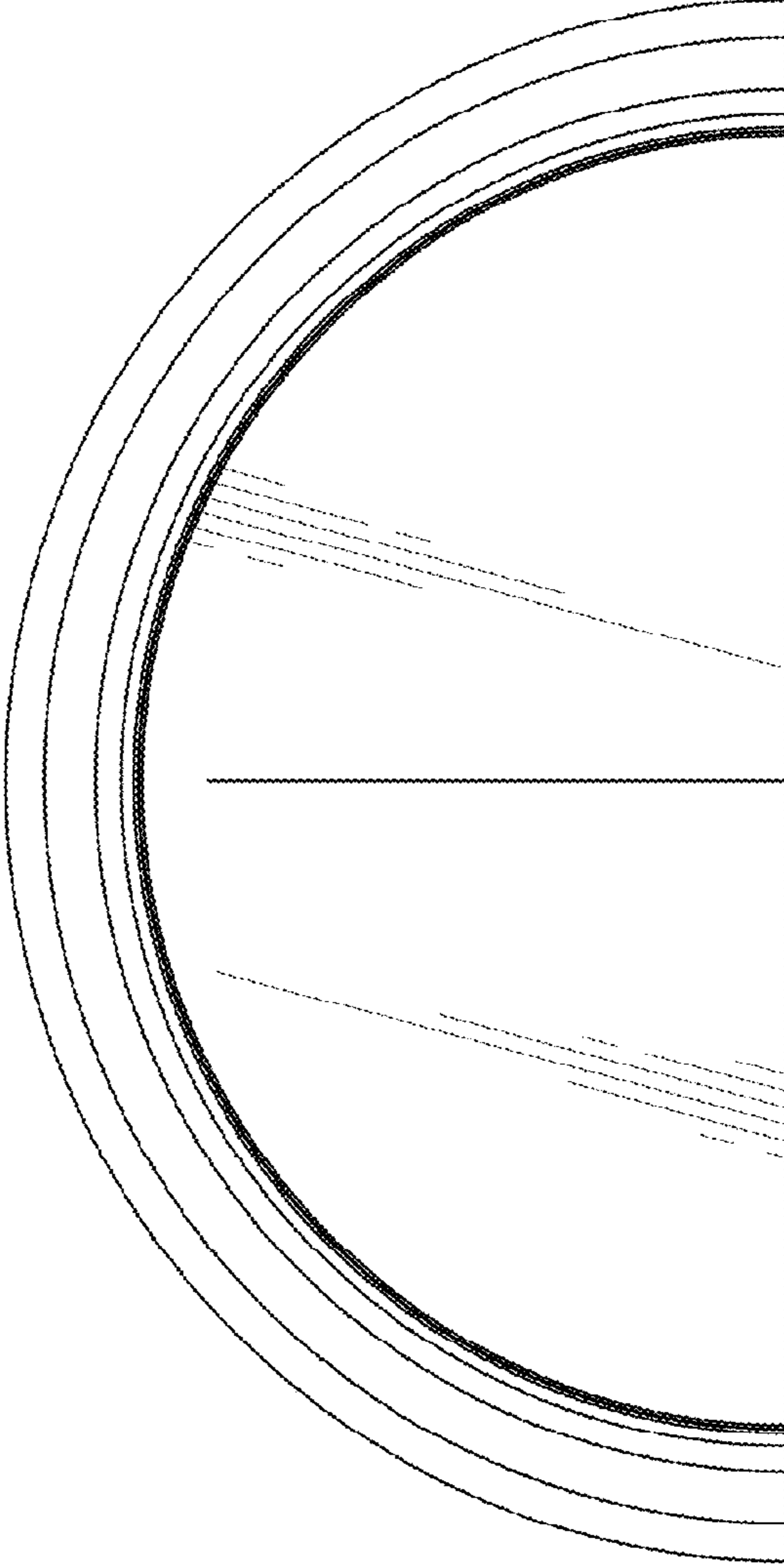


Fig. 7