



US00D751385S

(12) **United States Design Patent**
Rapparini

(10) **Patent No.:** **US D751,385 S**
(45) **Date of Patent:** **** Mar. 15, 2016**

- (54) **BEVERAGE CAPSULE**
- (71) Applicant: **Gino Rapparini**, Bologna (IT)
- (72) Inventor: **Gino Rapparini**, Bologna (IT)
- (**) Term: **14 Years**
- (21) Appl. No.: **29/519,106**
- (22) Filed: **Mar. 2, 2015**

- D383,646 S 9/1997 Jeppesen et al.
- D438,794 S 3/2001 Miles et al.
- D445,677 S 7/2001 Lindsay et al.
- D452,433 S 12/2001 Lazaris
- 6,431,389 B1 8/2002 Jerstroem et al.
- 6,648,163 B2 11/2003 Porter et al.

(Continued)

FOREIGN PATENT DOCUMENTS

- CA 2 734 843 A1 2/2010
- EP 0 524 464 A1 1/1993

(Continued)

OTHER PUBLICATIONS

International Search Report for International Application No. PCT/IB2011/001278, dated Oct. 20, 2011, 2 pages.

(Continued)

Related U.S. Application Data

- (62) Division of application No. 29/494,346, filed on Jun. 19, 2014, now Pat. No. Des. 736,614.

Foreign Application Priority Data

- Dec. 20, 2013 (EM) 001395198-0001
- Dec. 20, 2013 (EM) 001395198-00002
- Dec. 20, 2013 (EM) 001395198-0003

- (51) **LOC (10) Cl.** **09-03**
- (52) **U.S. Cl.**
USPC **D9/416**

- (58) **Field of Classification Search**
USPC D9/416, 414, 420, 432, 734, 430, 431,
D9/675, 425, 759, 428, 429; D6/629, 630;
D3/201, 203.2; D13/110, 102, 152;
206/351, 409, 411, 445, 470; 221/305;
D7/629
CPC A45D 27/22; B65D 85/04; B65D 85/672;
B65D 71/36
See application file for complete search history.

References Cited

U.S. PATENT DOCUMENTS

- 3,440,951 A 4/1969 Barrera
- D260,243 S 8/1981 Dogliotti
- D288,063 S 2/1987 Tyler
- D306,974 S 4/1990 Tholstrup

Primary Examiner — Holly Baynham
Assistant Examiner — Rhea Shields
(74) *Attorney, Agent, or Firm* — Brinks Gilson & Lione

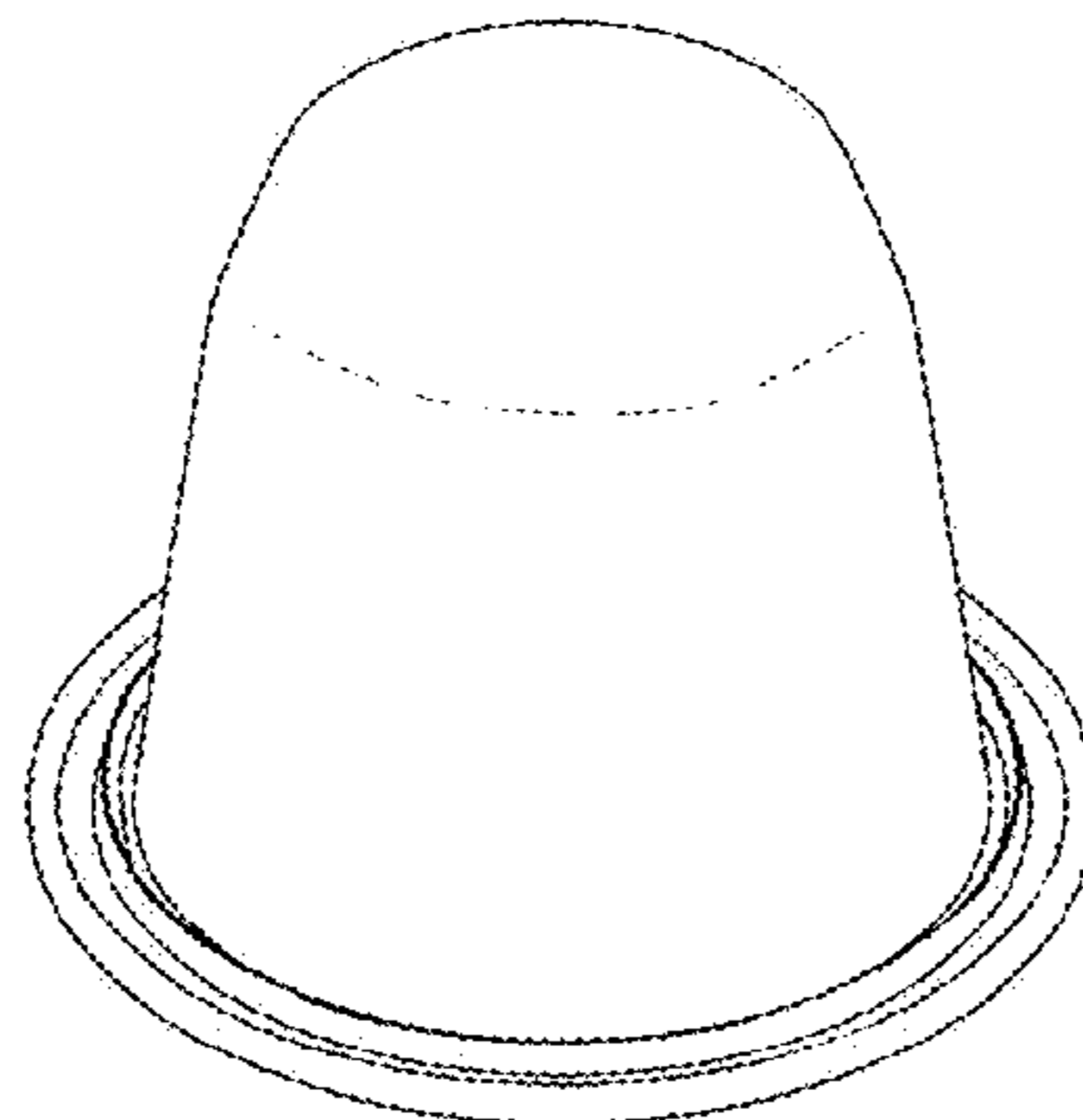
(57) **CLAIM**

I claim the ornamental design for a beverage capsule, as shown and described.

DESCRIPTION

FIG. 1 is a top perspective view of a beverage capsule design, showing my new design;
FIG. 2 is a bottom plan view thereof;
FIG. 3 is a top plan view thereof;
FIG. 4 is a right side elevation view thereof, where a left side elevation view, a front elevation view, and a rear elevation view thereof each is the same; and,
FIG. 5 is a sectional view shown along line 5-5 of FIG. 4.
In the drawings, the broken lines are for the purpose of illustrating environment only and form no part of the claimed design.

1 Claim, 5 Drawing Sheets



(56)

References Cited

U.S. PATENT DOCUMENTS

D502,362 S 3/2005 Lazaris et al.
 D570,650 S * 6/2008 Vovan D7/629
 D587,995 S 3/2009 Studee
 D605,502 S 12/2009 Honda et al.
 D606,363 S 12/2009 Aardenburg
 D606,404 S 12/2009 Diss
 D612,732 S 3/2010 Takata et al.
 D627,636 S 11/2010 Fang
 D628,883 S 12/2010 Stephens
 D637,484 S 5/2011 Winkler
 D642,454 S * 8/2011 Santoiemmo D9/428
 D644,924 S 9/2011 Lin
 D647,397 S 10/2011 Inaba
 D651,865 S 1/2012 Smyers
 D652,266 S 1/2012 Smyers
 D668,538 S 10/2012 Knutson et al.
 D675,089 S * 1/2013 Cook et al. D9/428
 D681,448 S * 5/2013 O'Malley D9/429
 D682,675 S 5/2013 Rapparini
 D684,048 S * 6/2013 Hodge et al. D9/429
 D684,460 S * 6/2013 Hodge et al. D9/429
 D684,856 S * 6/2013 Hodge et al. D9/429

D685,631 S 7/2013 Rapparini
 D686,916 S * 7/2013 O'Brien D9/429
 D689,768 S * 9/2013 Inderbitzin D9/429
 D692,759 S 11/2013 Rapparini
 D692,760 S 11/2013 Rapparini
 D695,110 S * 12/2013 Houlton et al. D9/428
 D695,111 S * 12/2013 Hansen et al. D9/429
 D695,615 S 12/2013 Rapparini
 D697,797 S * 1/2014 Hansen D9/429
 D697,801 S 1/2014 Rapparini
 D708,057 S * 7/2014 Hansen D9/429
 2007/0148290 A1 6/2007 Ternite et al.
 2011/0111098 A1 5/2011 Ricotti

FOREIGN PATENT DOCUMENTS

EP 1 792 850 A1 6/2007
 FR 1 543 608 10/1968

OTHER PUBLICATIONS

International Search Report for International Application No. PCT/IB2011/001273, dated Oct. 21, 2011, 2 pages.

* cited by examiner

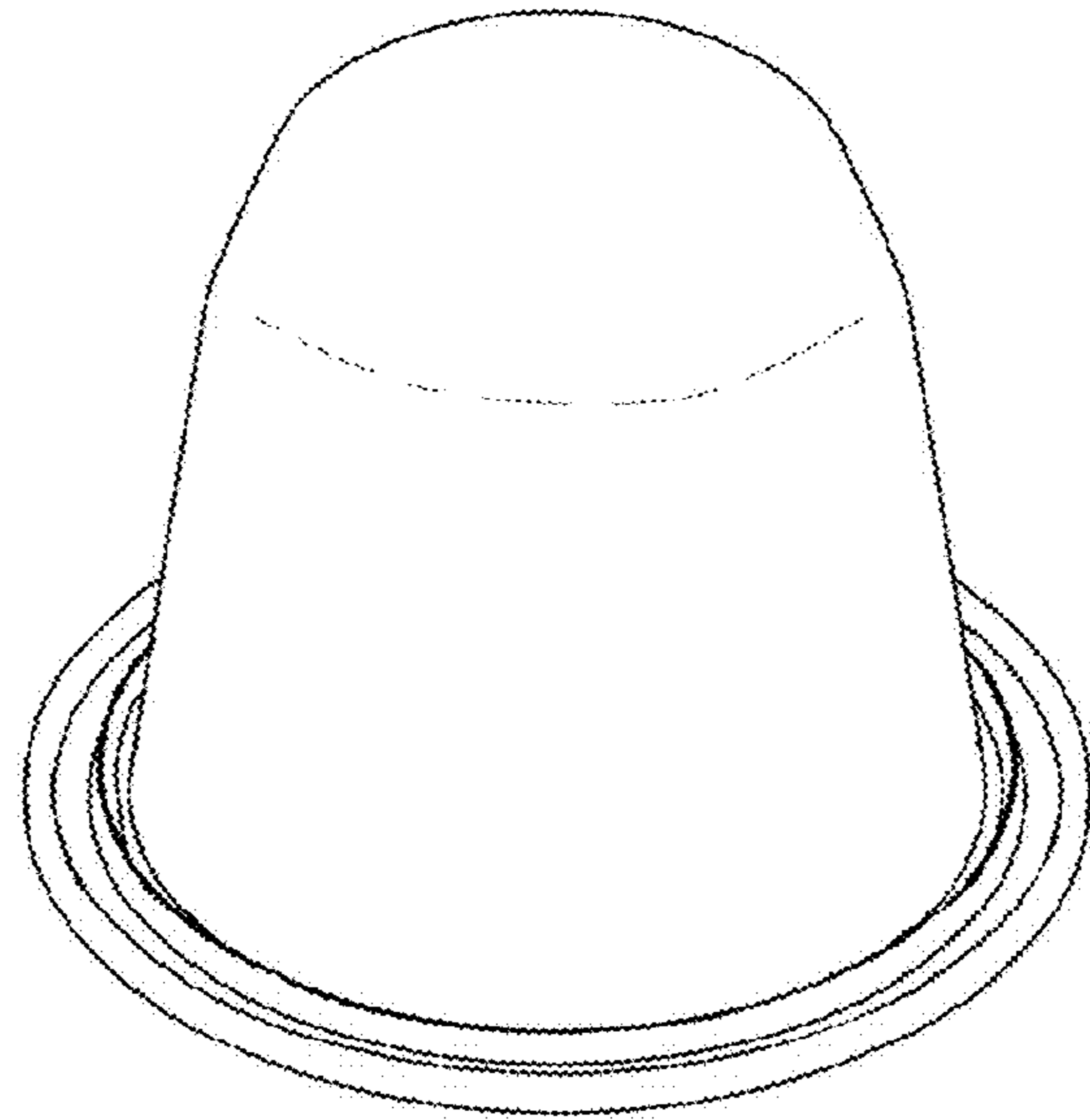


FIG. 1

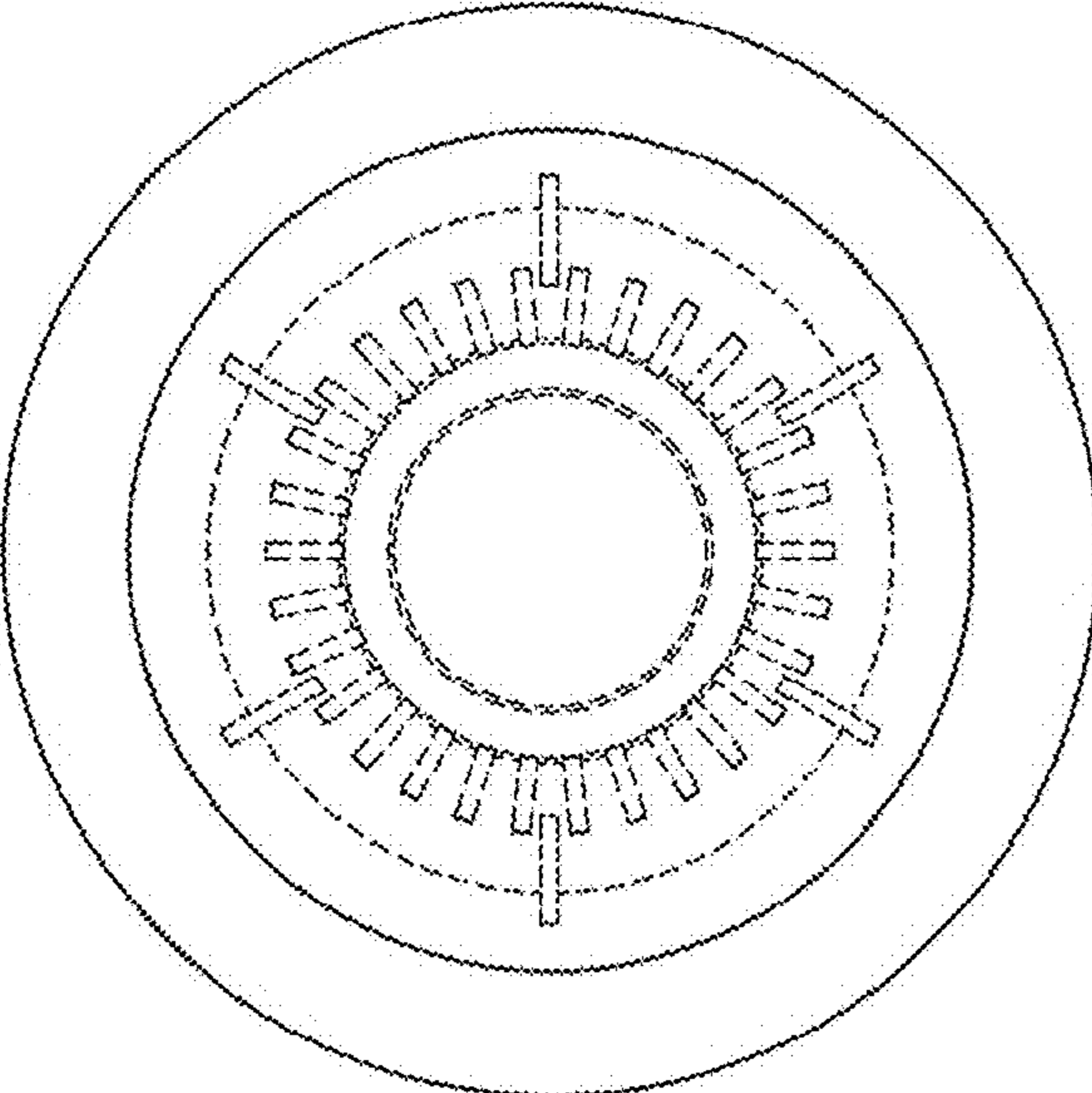


FIG. 2

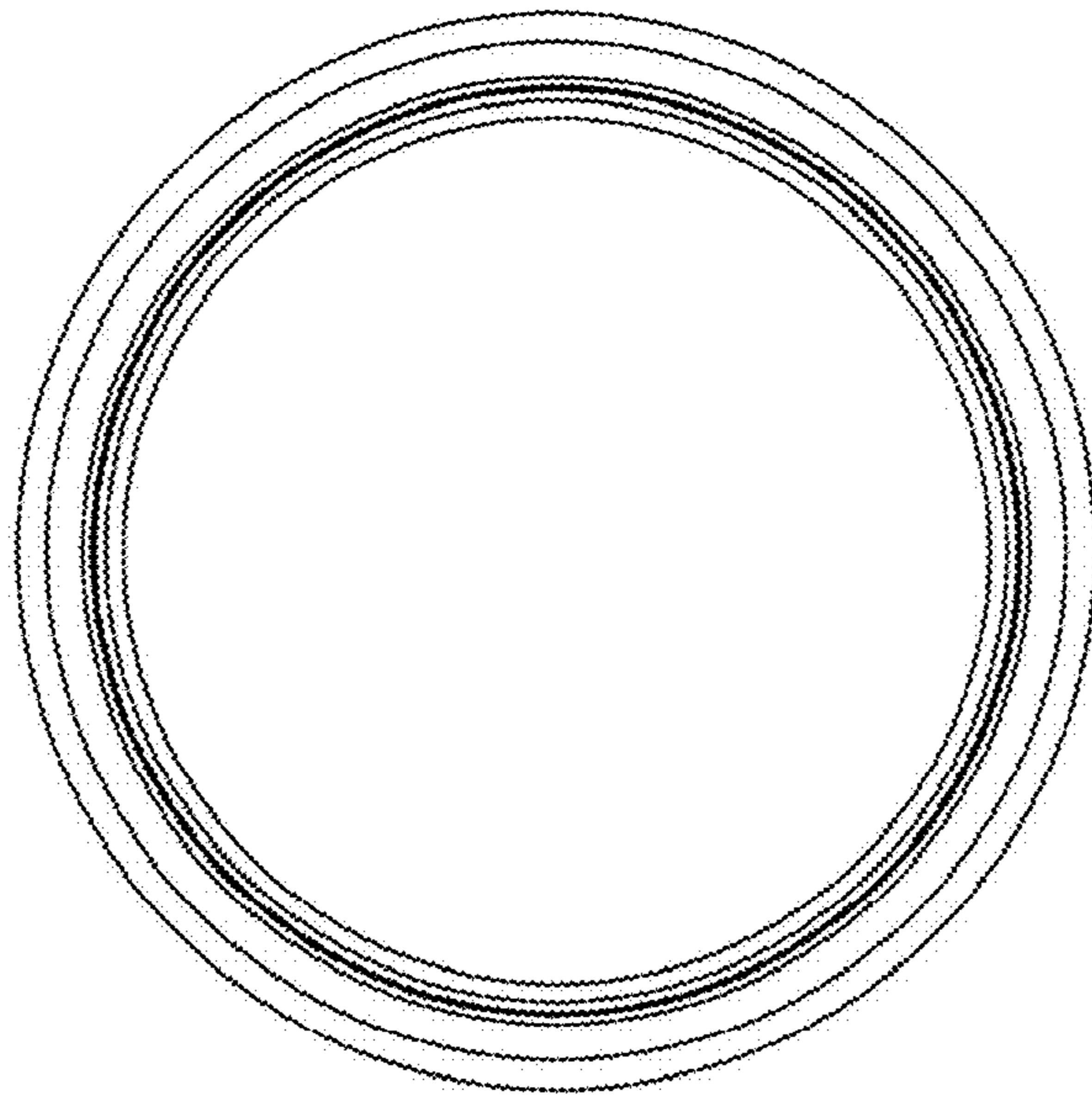


FIG. 3

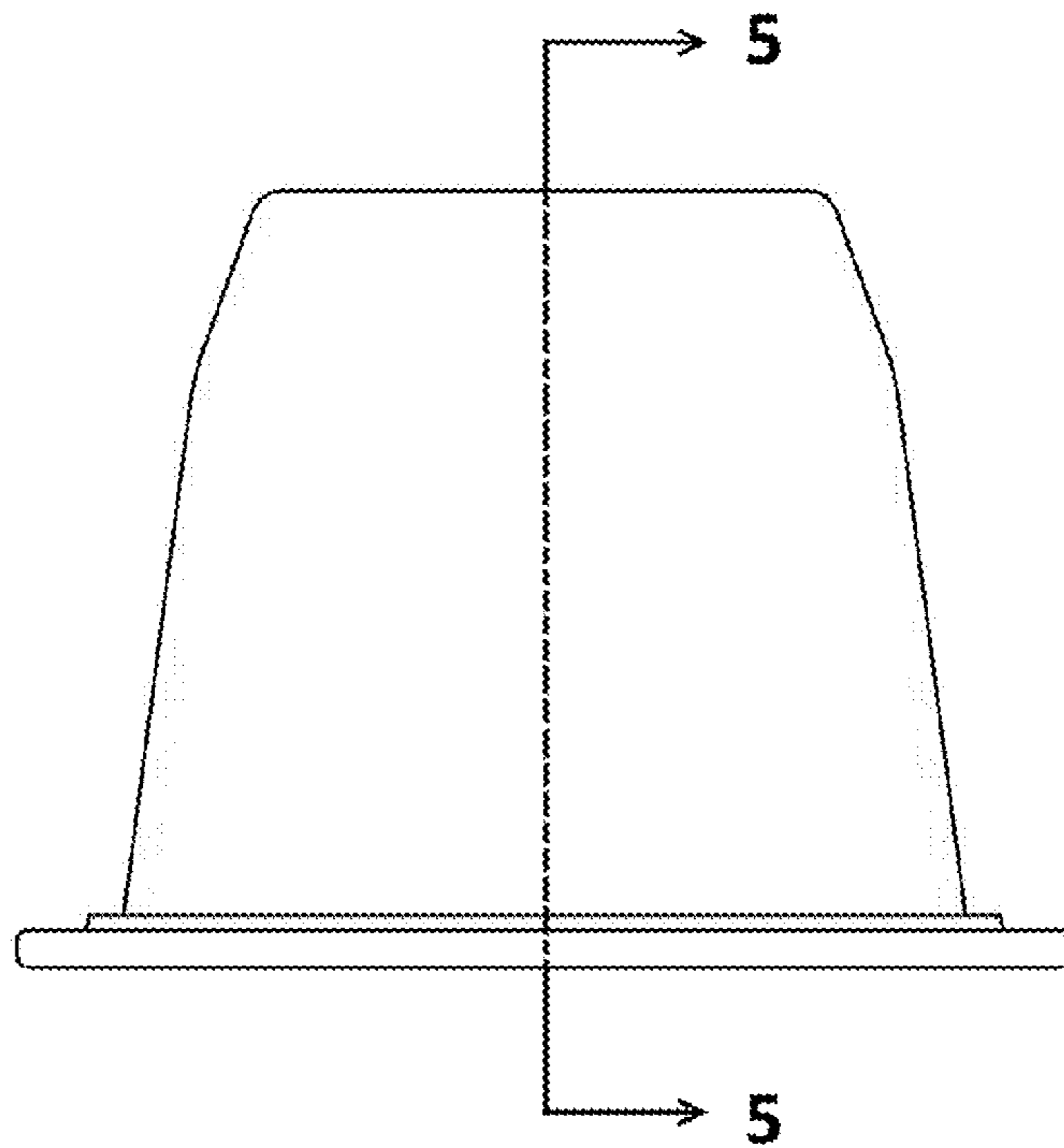


FIG. 4

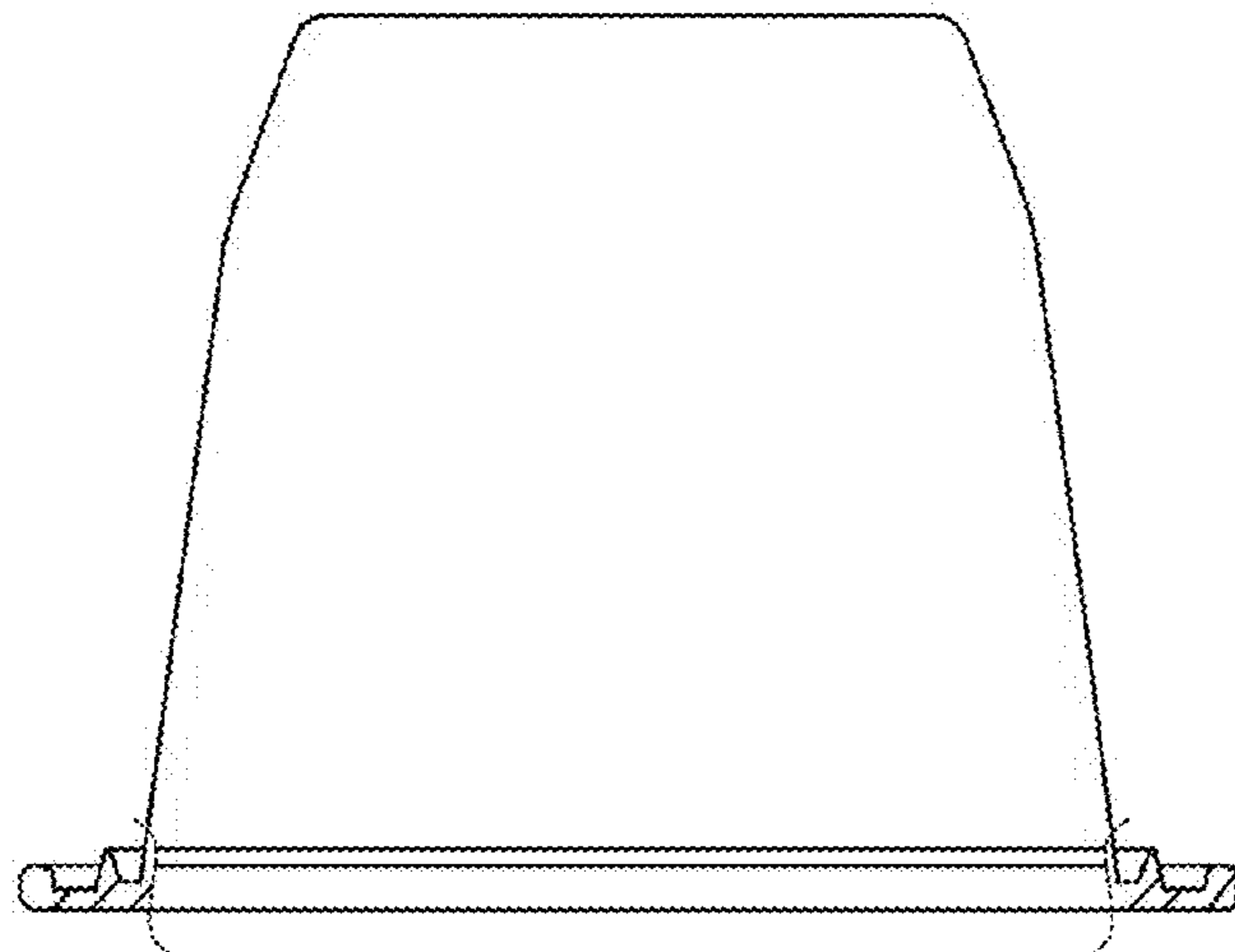


FIG. 5