



US00D751378S

(12) **United States Design Patent**
Solovov, Jr. et al.

(10) **Patent No.:** **US D751,378 S**
(45) **Date of Patent:** **** Mar. 15, 2016**

(54) **PACKAGE FOR AMMUNITION**

DESCRIPTION

(71) Applicant: **TULAMMO USA, INC.**, Round Rock, TX (US)
(72) Inventors: **Alexey Alexeevich Solovov, Jr.**, Tula (RU); **Maxim Nikolaevich Buyanov**, Tula (RU)
(73) Assignee: **Tulammo USA, Inc.**, Round Rock, TX (US)
(**) Term: **14 Years**
(21) Appl. No.: **29/503,548**
(22) Filed: **Sep. 26, 2014**
(51) **LOC (10) Cl.** **09-03**
(52) **U.S. Cl.**
USPC **D9/414**
(58) **Field of Classification Search**
USPC D9/414, 415, 751, 423; D19/86;
D24/230; 206/443, 276, 553; 229/228,
229/224, 225
CPC B65D 85/20; B65D 5/5435; B65D 5/543;
A24F 13/16; A47G 21/14
See application file for complete search history.

U.S. Design patent application Ser. Nos. 29/503,546, 29/503,545, 29/503,535 and 29/503,553 filed on Sep. 26, 2014 are hereby incorporated by reference in their entireties.
FIG. 1 is a front perspective view of the package for ammunition, showing the first embodiment of our new design;
FIG. 2 is a front view of the first embodiment of the package for ammunition;
FIG. 3 is a rear view of the first embodiment of the package for ammunition;
FIG. 4 is a right side view of the first embodiment of the package for ammunition;
FIG. 5 is a left side view of the first embodiment of the package for ammunition;
FIG. 6 is a top view of the first embodiment of the package for ammunition;
FIG. 7 is a bottom view of the first embodiment of the package for ammunition;
FIG. 8 is perspective view of the first embodiment of the package for ammunition holding ammunition;
FIG. 9 is a front sectional view of the first embodiment of the package for ammunition holding ammunition;
FIG. 10 is a front perspective view of the package for ammunition, showing the second embodiment of our new design;
FIG. 11 is a front view of the second embodiment of the package for ammunition;
FIG. 12 is a rear view of the second embodiment of the package for ammunition;
FIG. 13 is a right view of the second embodiment of the package for ammunition;
FIG. 14 is a left view of the second embodiment of the package for ammunition;
FIG. 15 is a top view of the second embodiment of the package for ammunition;
FIG. 16 is a bottom view of the second embodiment of the package for ammunition;
FIG. 17 is a perspective view of the second embodiment of the package for ammunition holding ammunition; and,
FIG. 18 is a front sectional view of the second embodiment of the package for ammunition holding ammunition.
In the drawings, the broken lines are for the purpose of illustrating environment only and form no part of the claimed design.

(56) **References Cited**

U.S. PATENT DOCUMENTS

1,217,283 A * 2/1917 Daniel et al. 206/443
2,354,239 A * 7/1944 Williamson 206/273
2,788,827 A * 4/1957 Banner 206/553

(Continued)

Primary Examiner — Holly Baynham

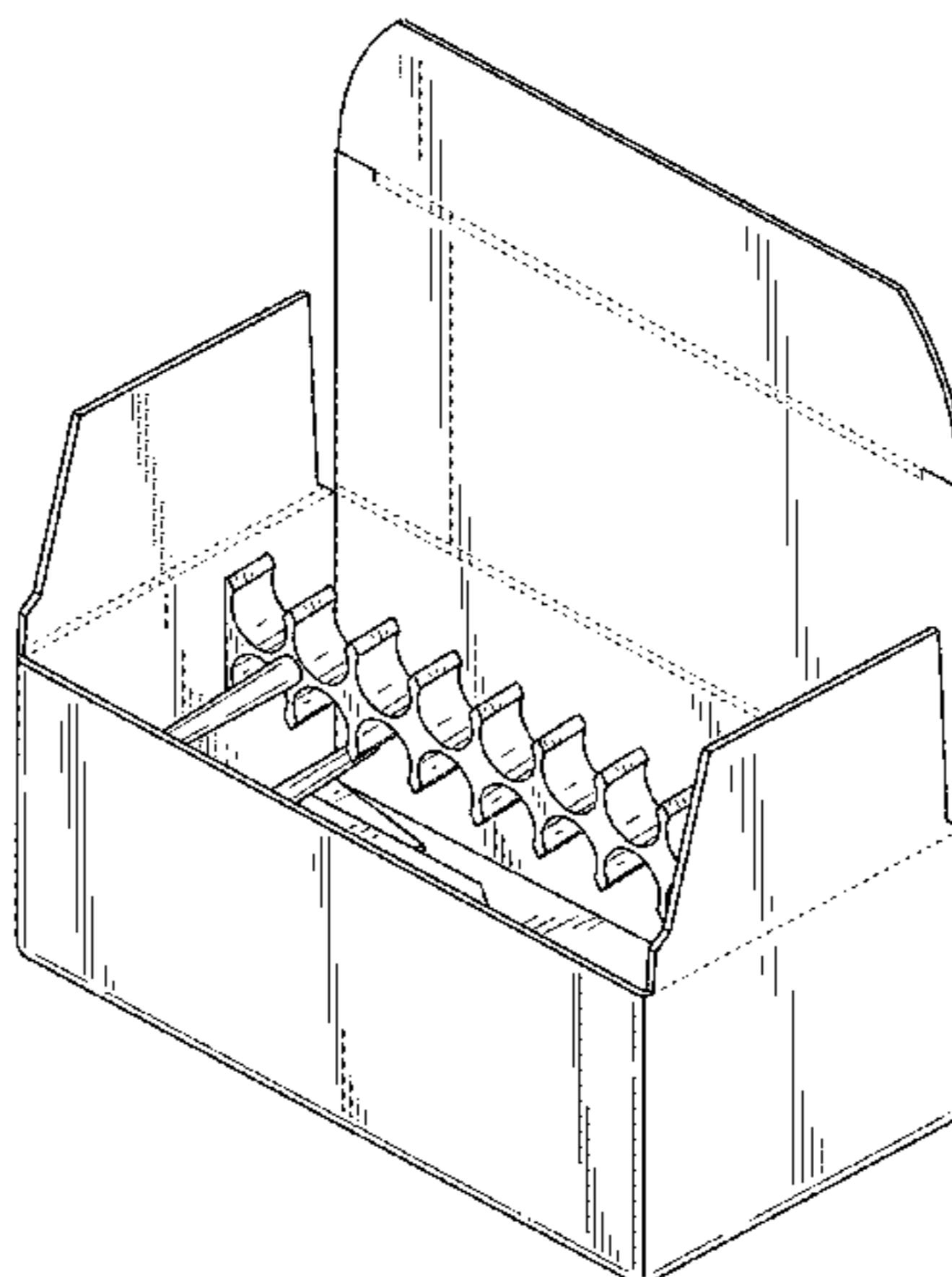
Assistant Examiner — Rhea Shields

(74) *Attorney, Agent, or Firm* — Polsinelli PC

(57) **CLAIM**

The ornamental design for a package for ammunition, as shown and described.

1 Claim, 14 Drawing Sheets



US D751,378 S

Page 2

(56)

References Cited

U.S. PATENT DOCUMENTS

3,235,167 A * 2/1966 Svensson 229/228
4,083,455 A * 4/1978 Keating, Jr. 229/224
6,059,113 A * 5/2000 Hodges 206/443
6,604,676 B2 * 8/2003 Giblin 229/225

D506,925 S * 7/2005 Plumer D9/415
D533,078 S * 12/2006 Lebras D9/751
D695,605 S * 12/2013 Johnson D9/423
D703,268 S * 4/2014 Harvey Pennaz et al. D19/86
D714,958 S * 10/2014 Smeja D24/230

* cited by examiner

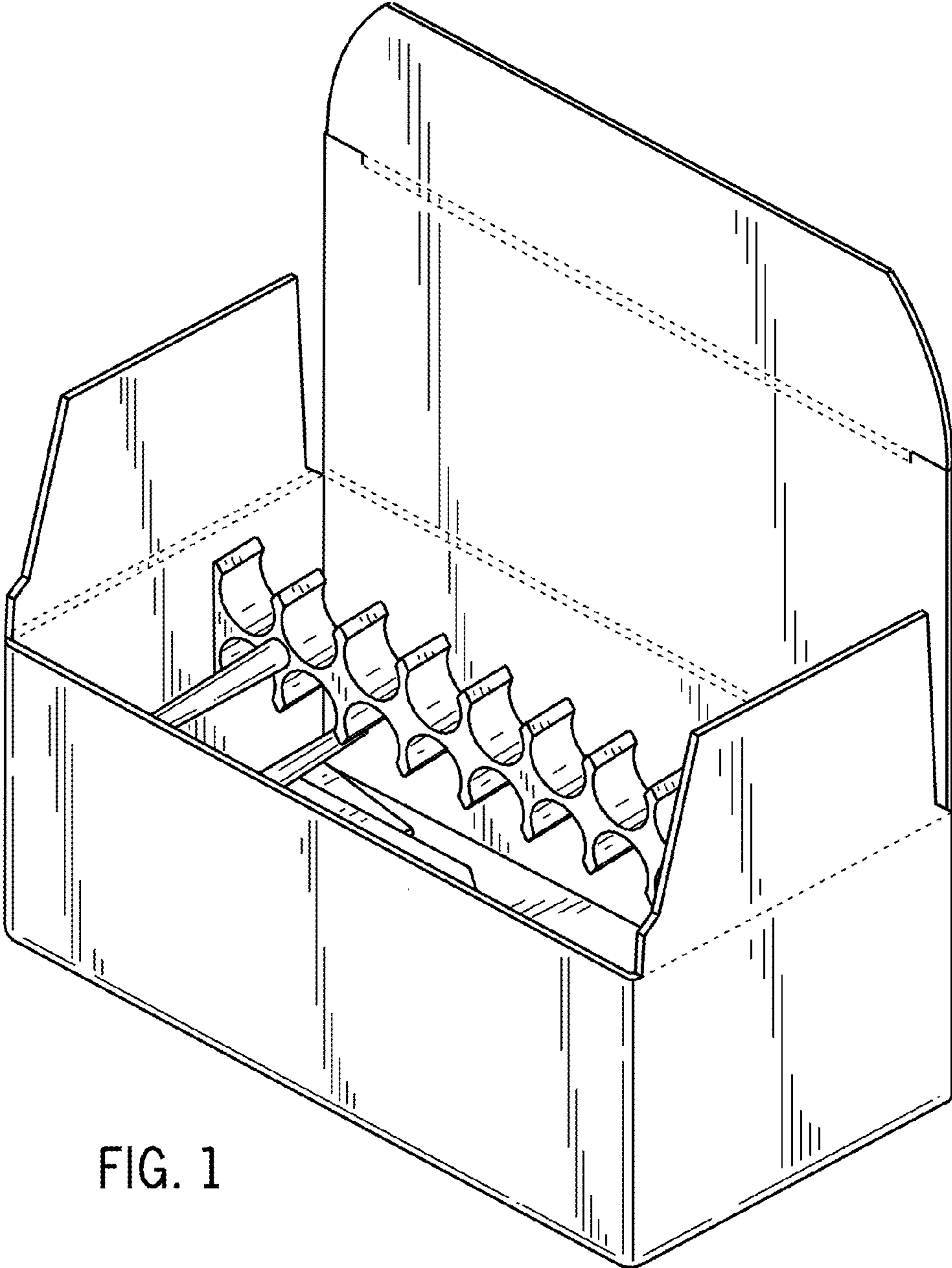


FIG. 1

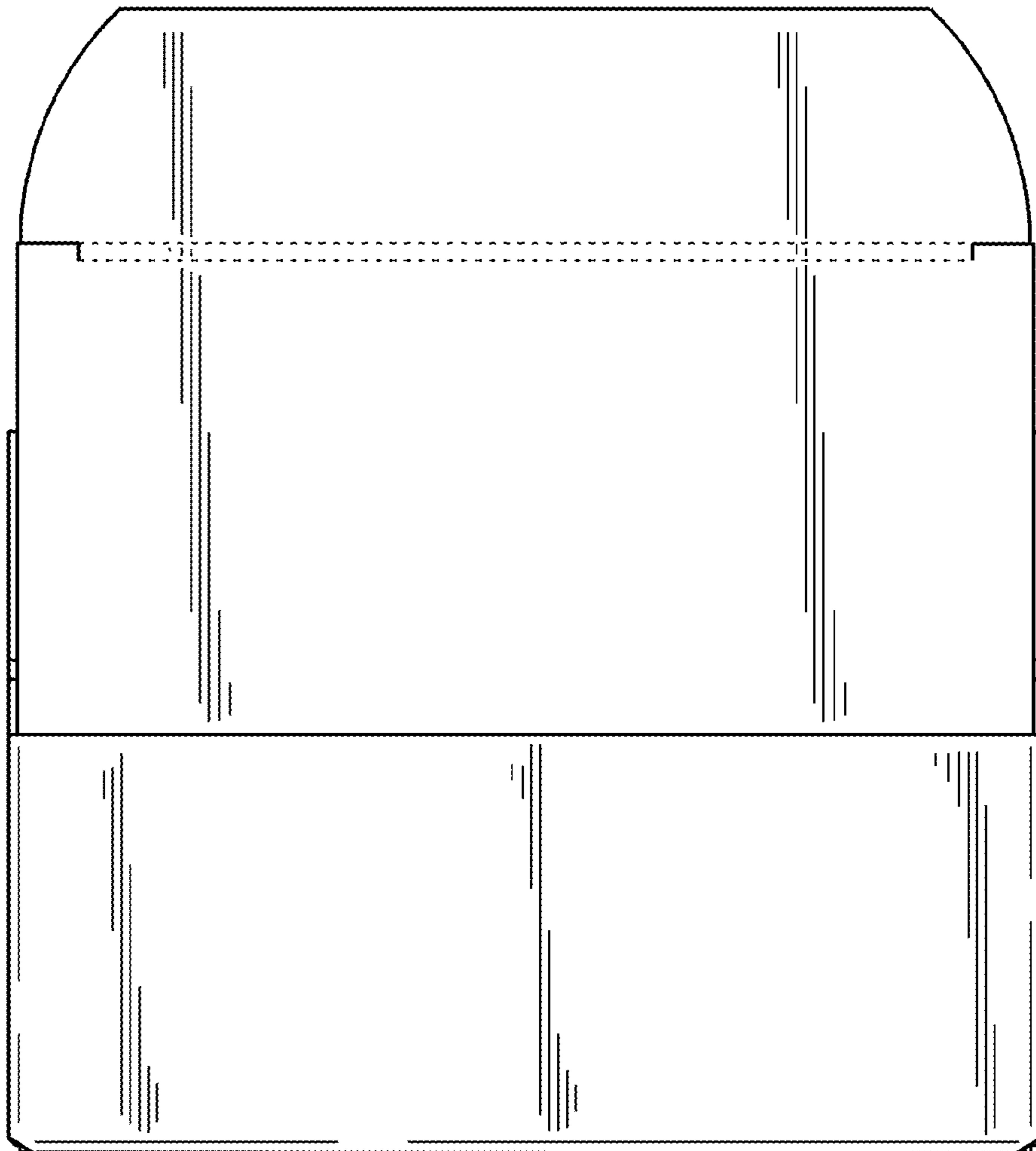


FIG. 2

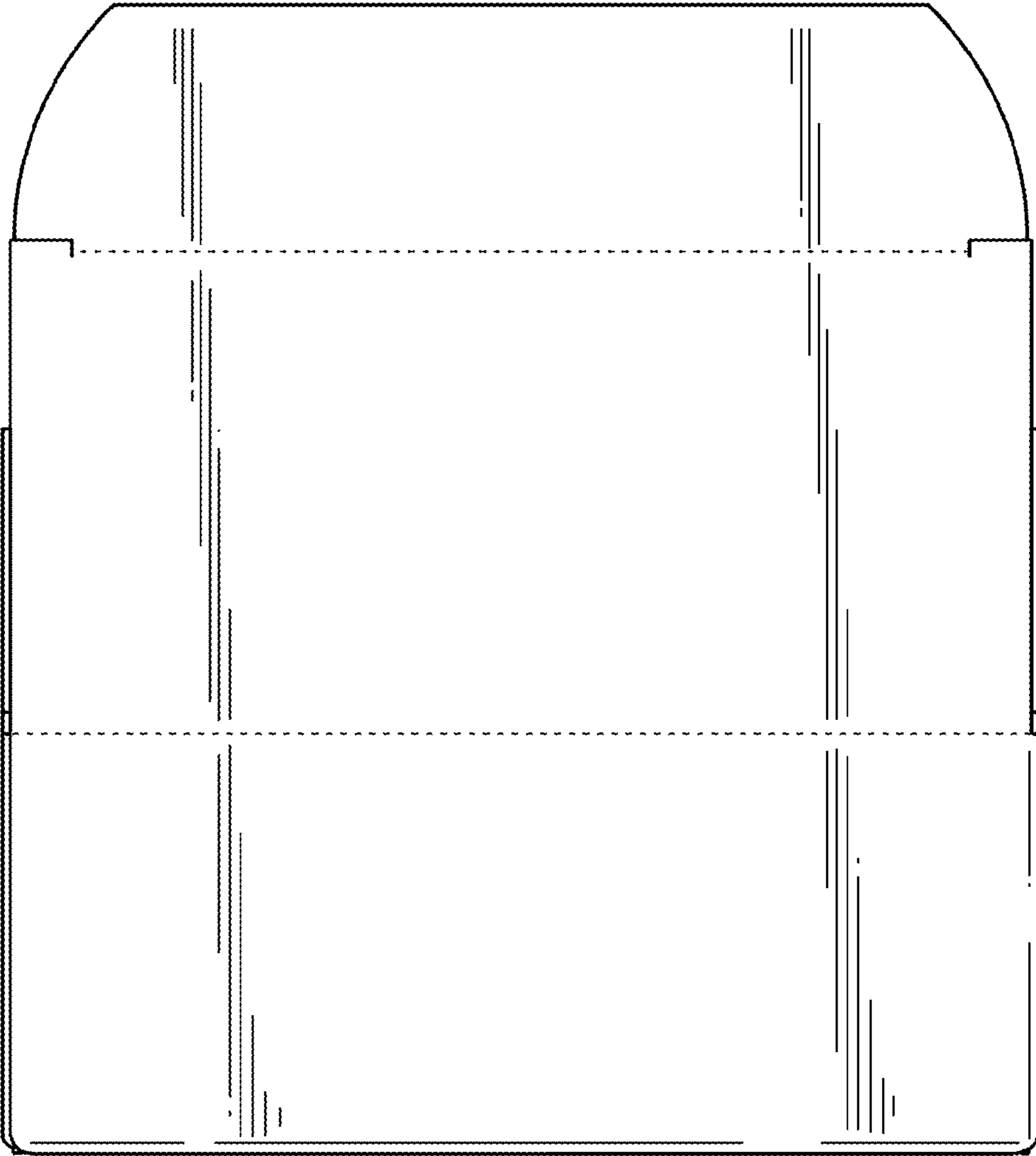


FIG. 3

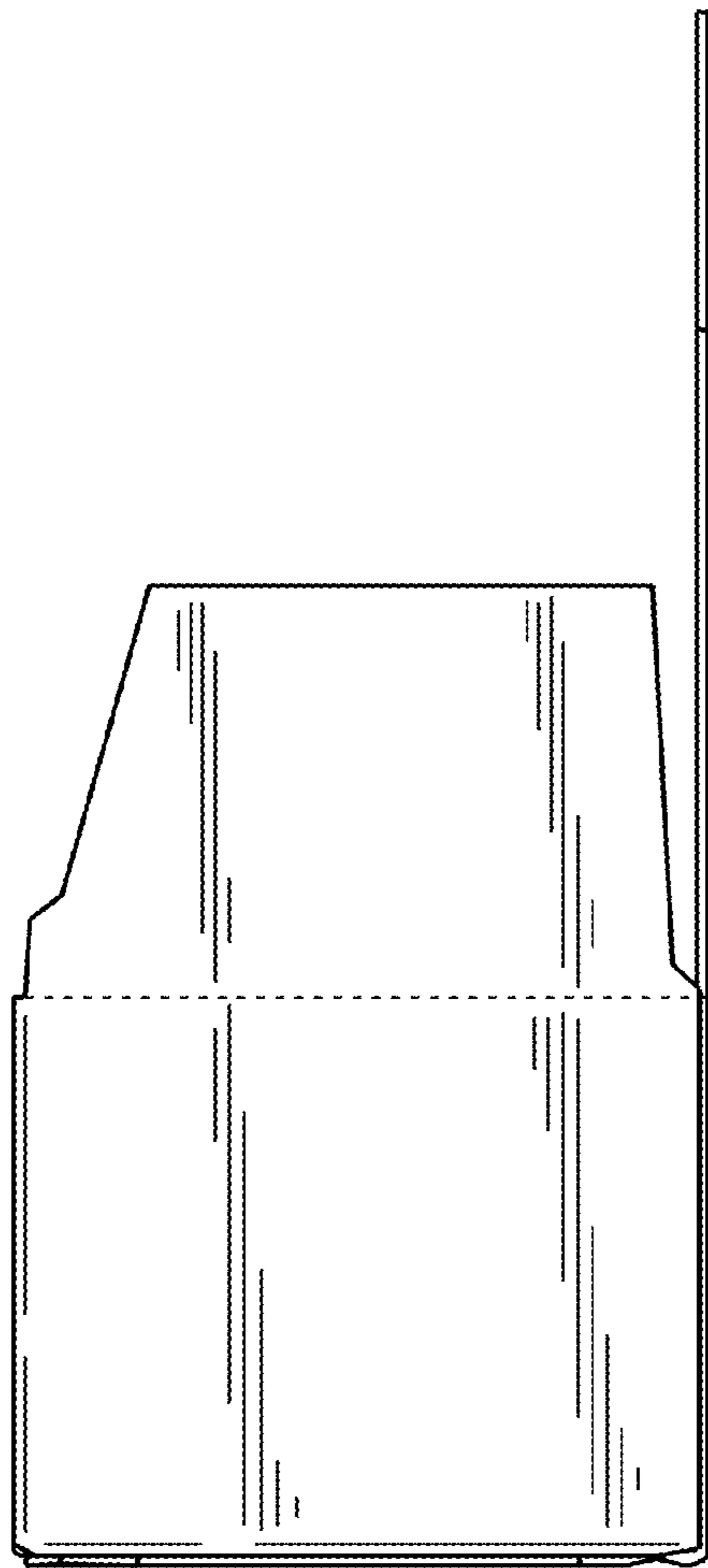


FIG. 4

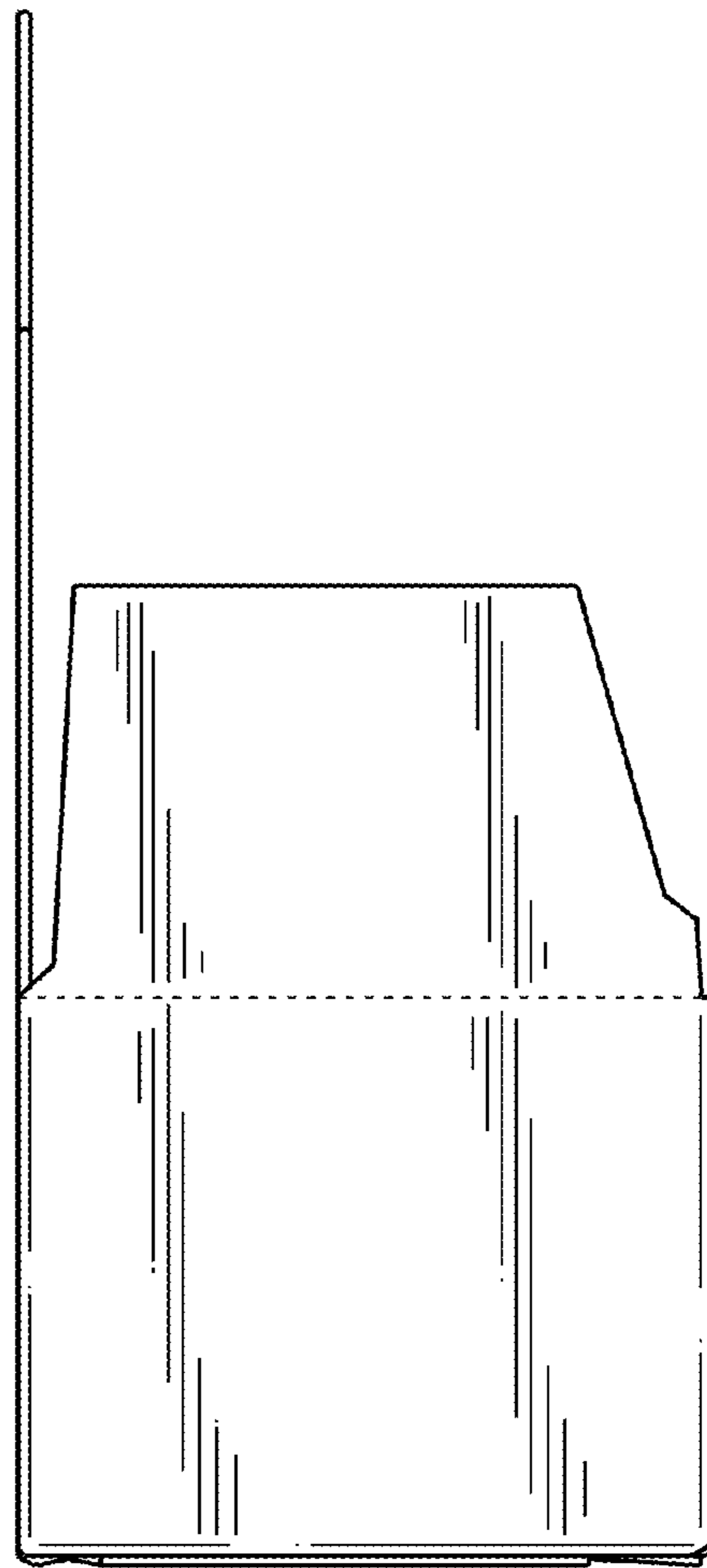


FIG. 5

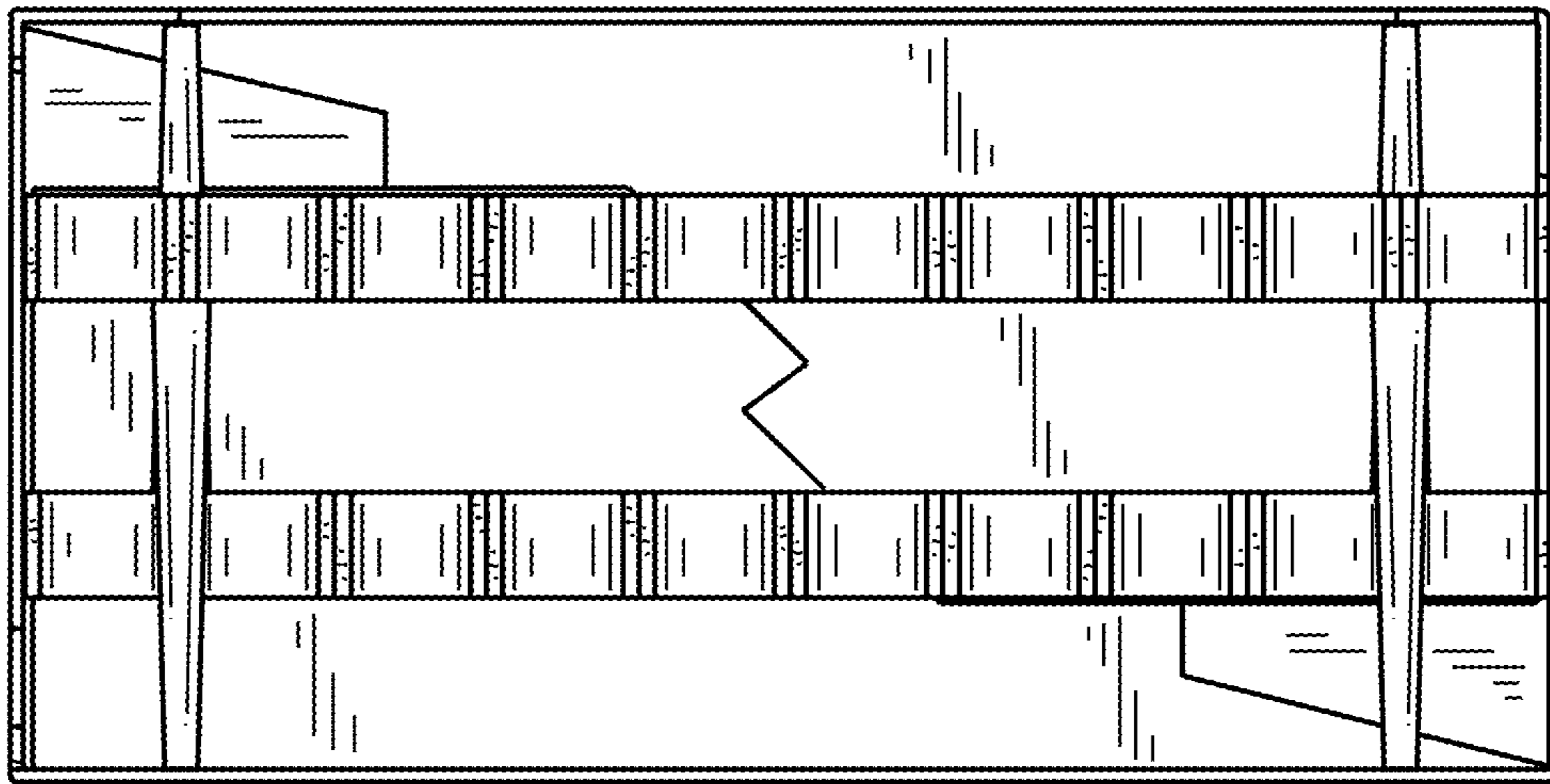


FIG. 6

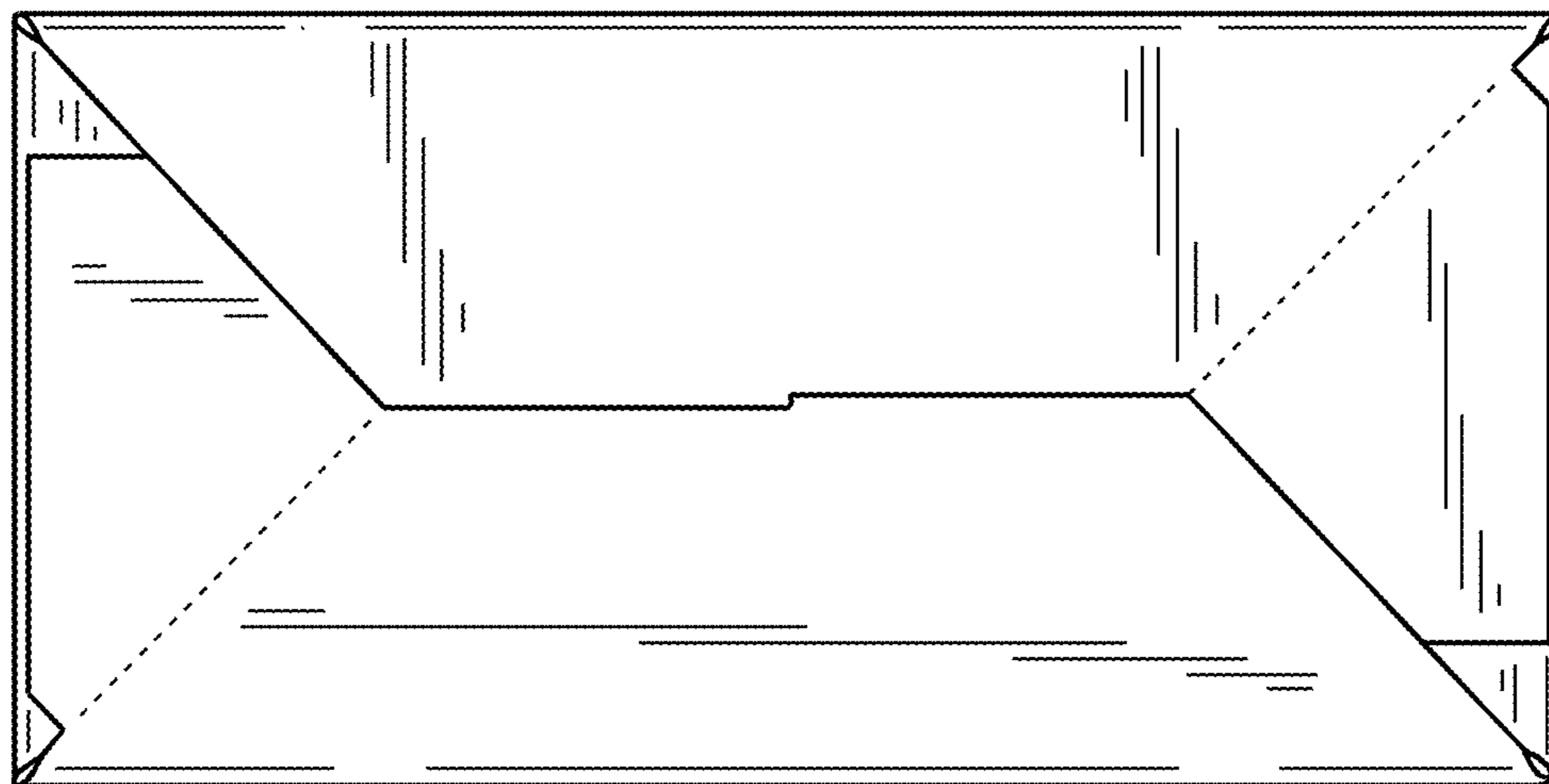


FIG. 7

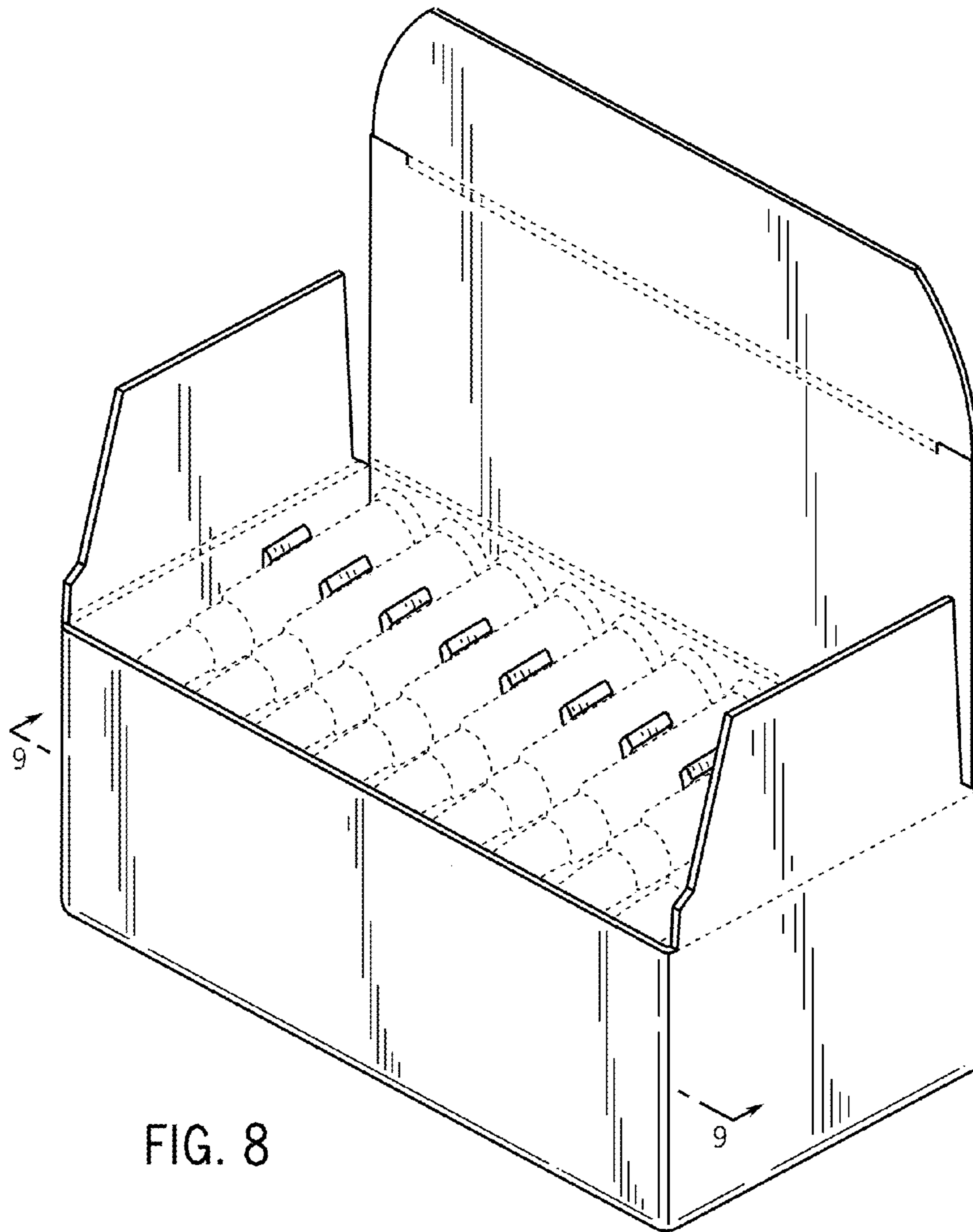


FIG. 8

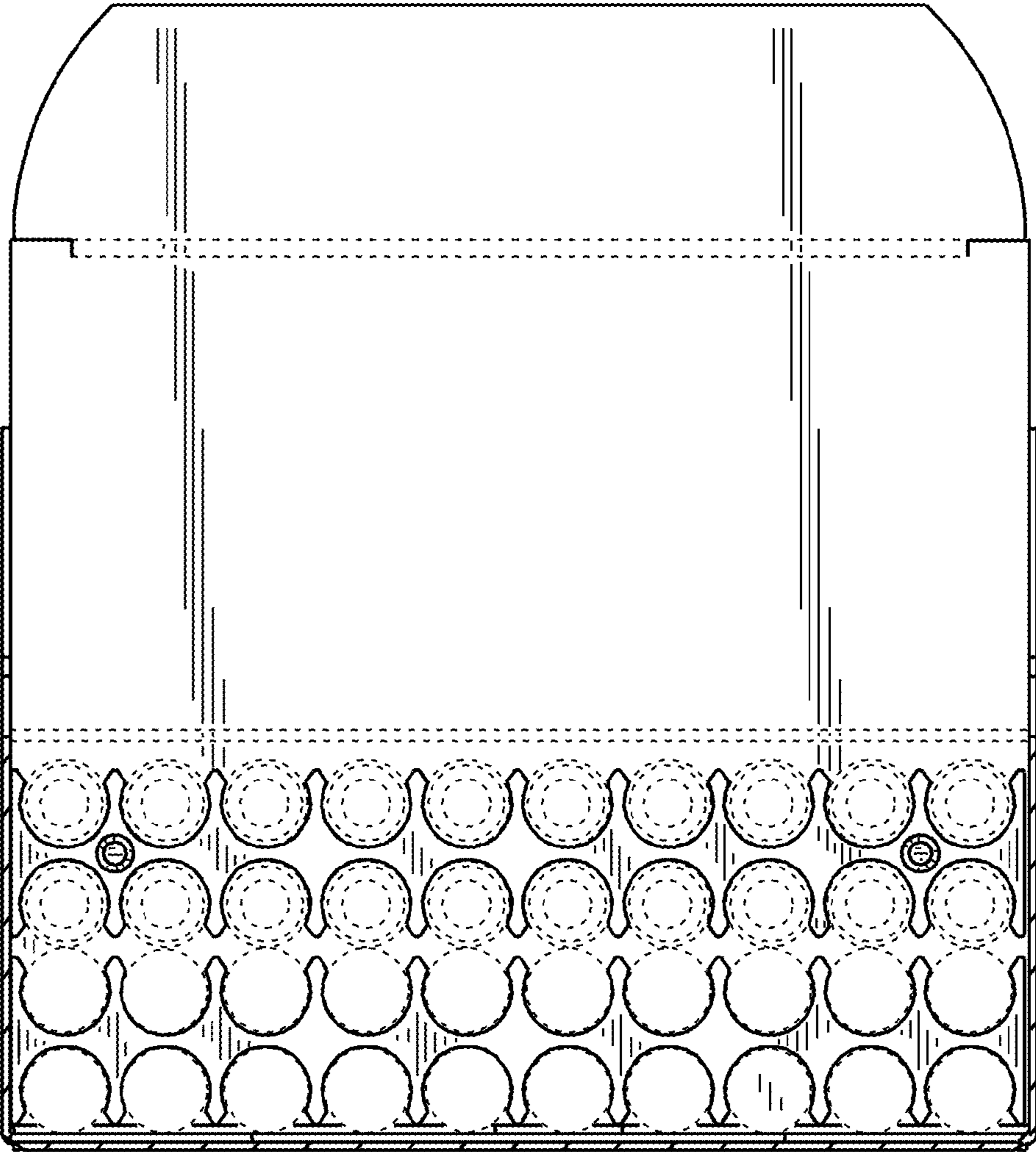


FIG. 9

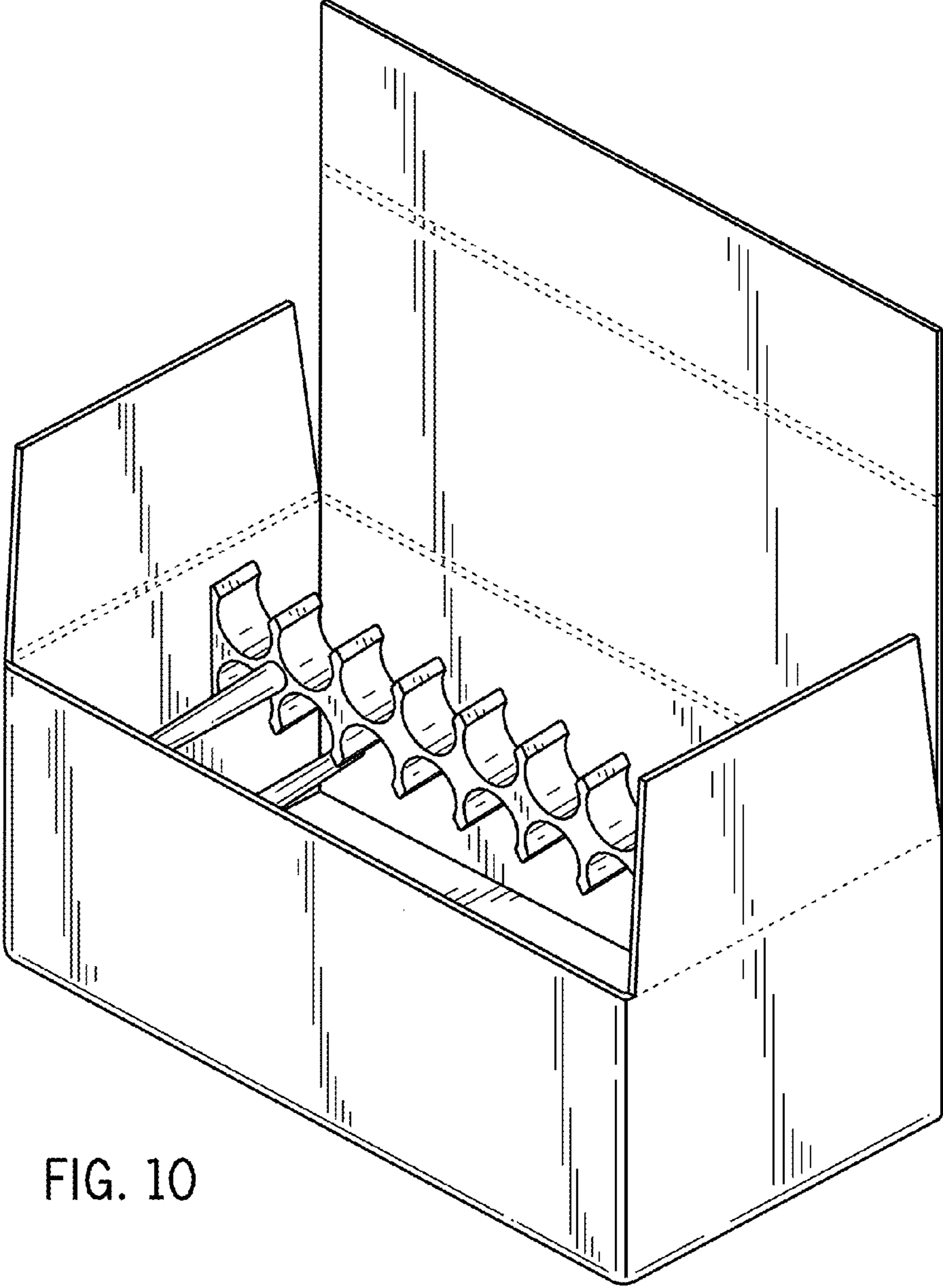


FIG. 10

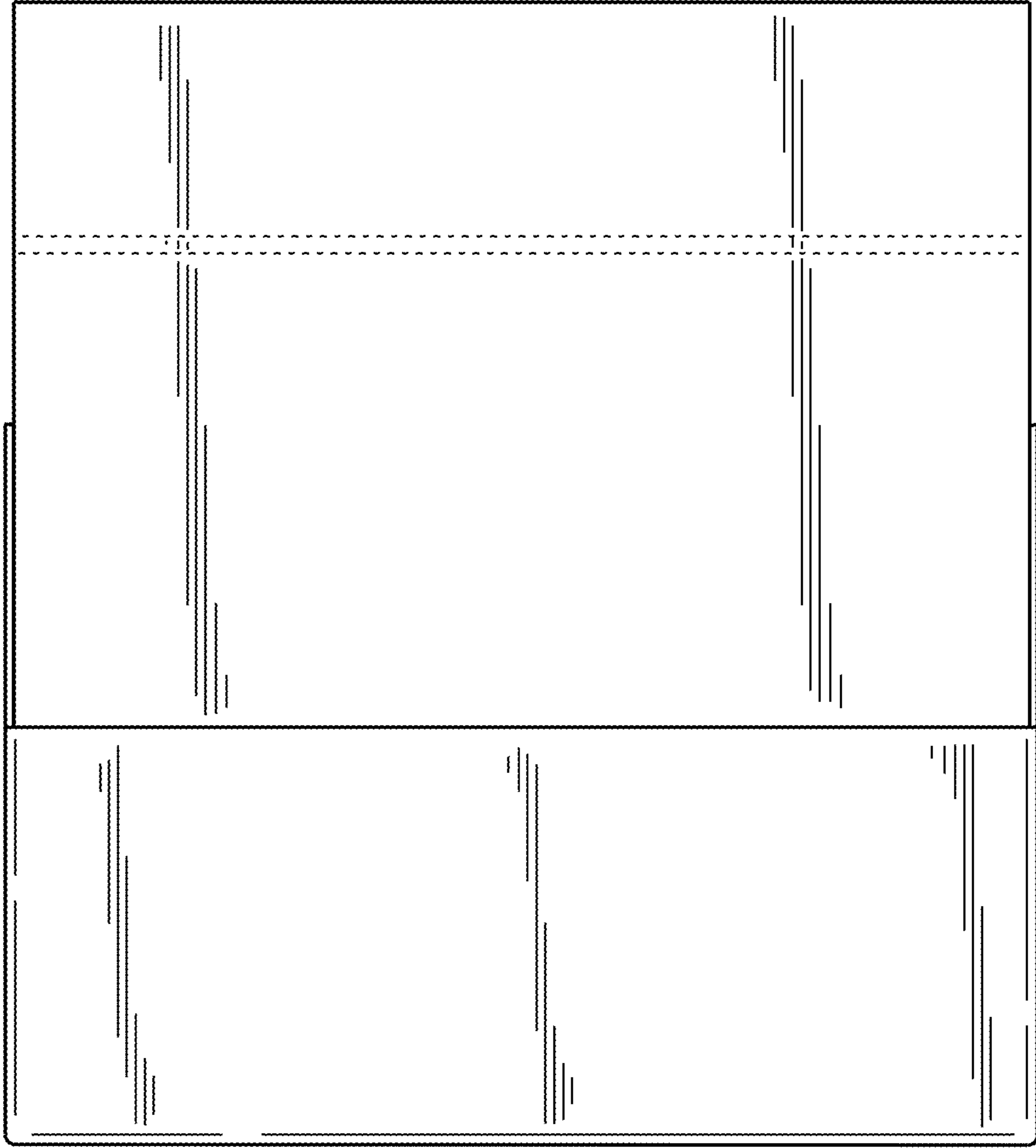


FIG. 11

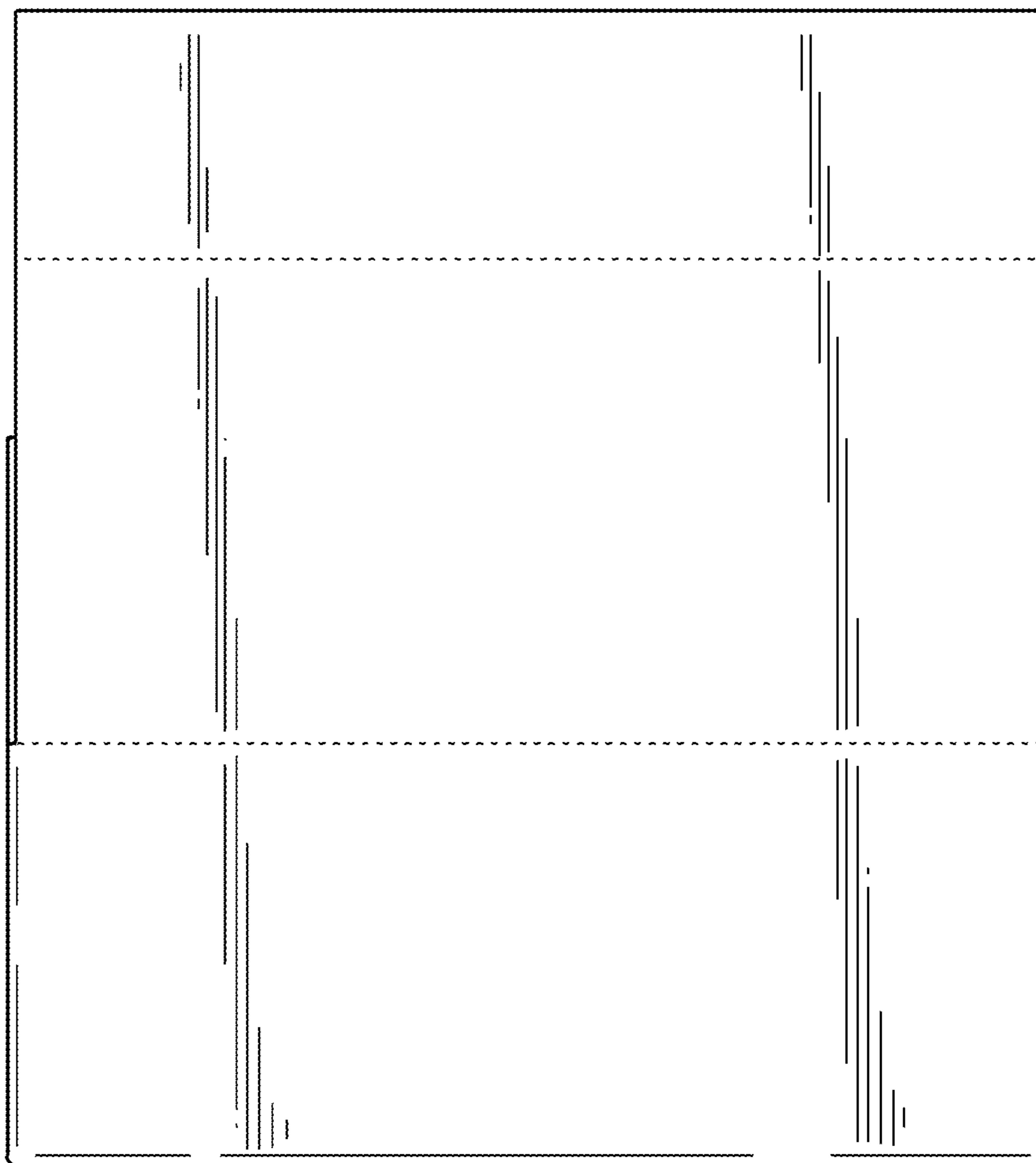


FIG. 12

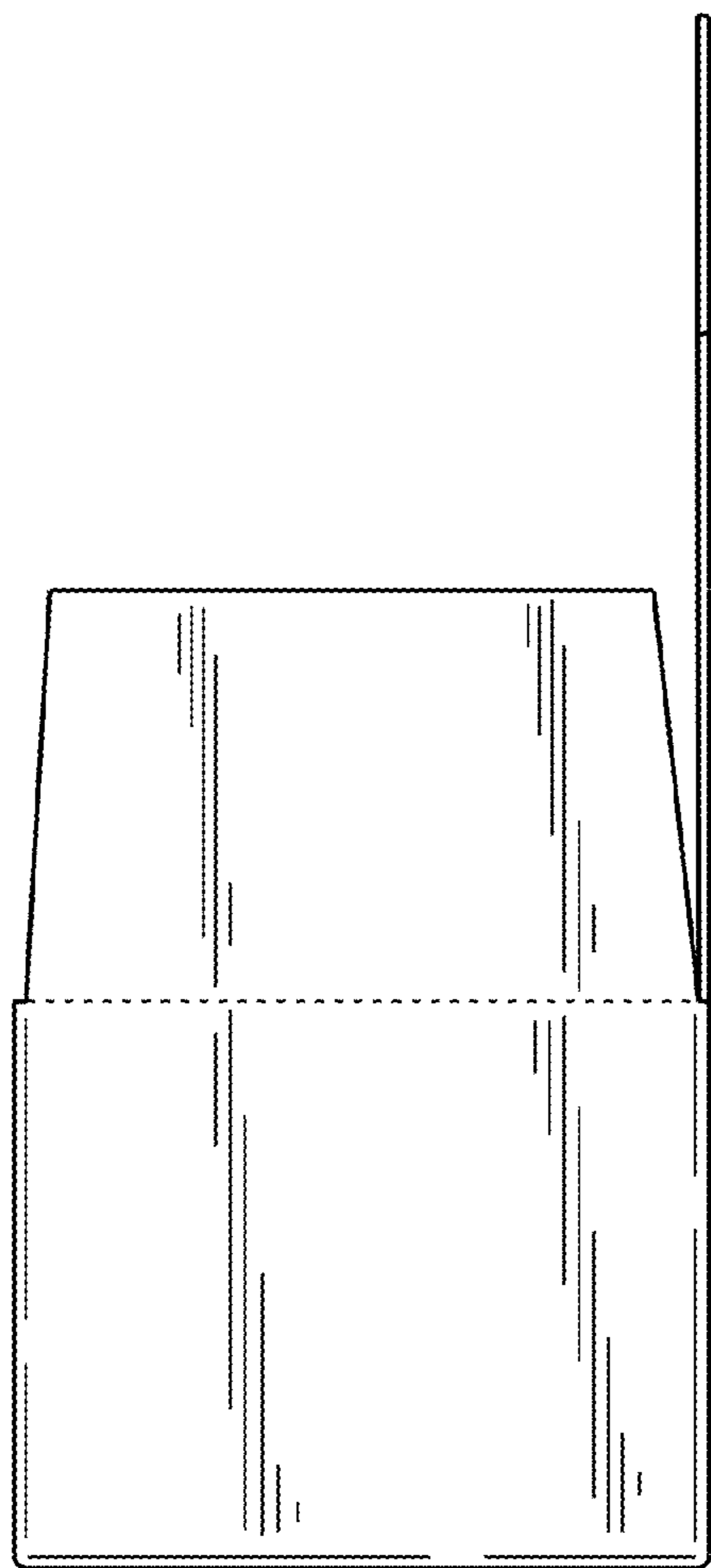


FIG. 13

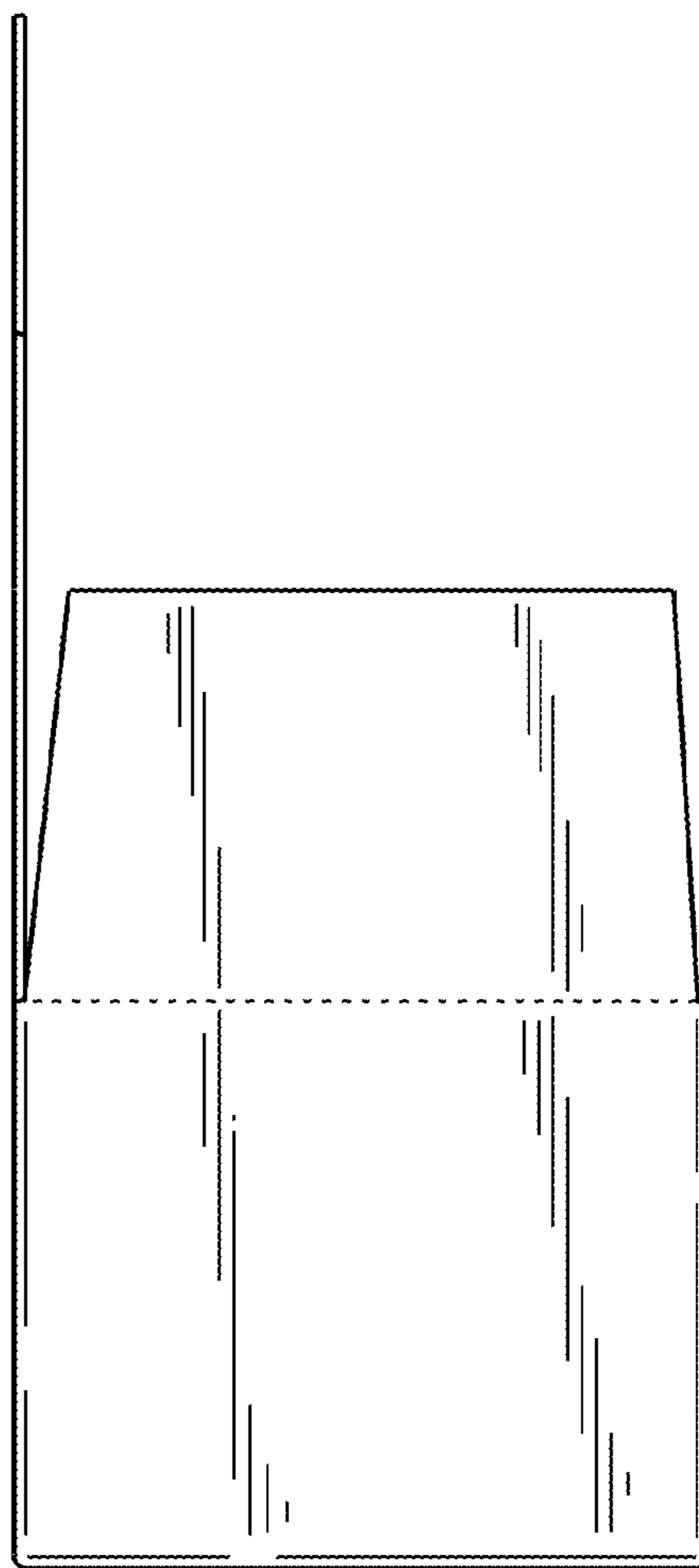


FIG. 14

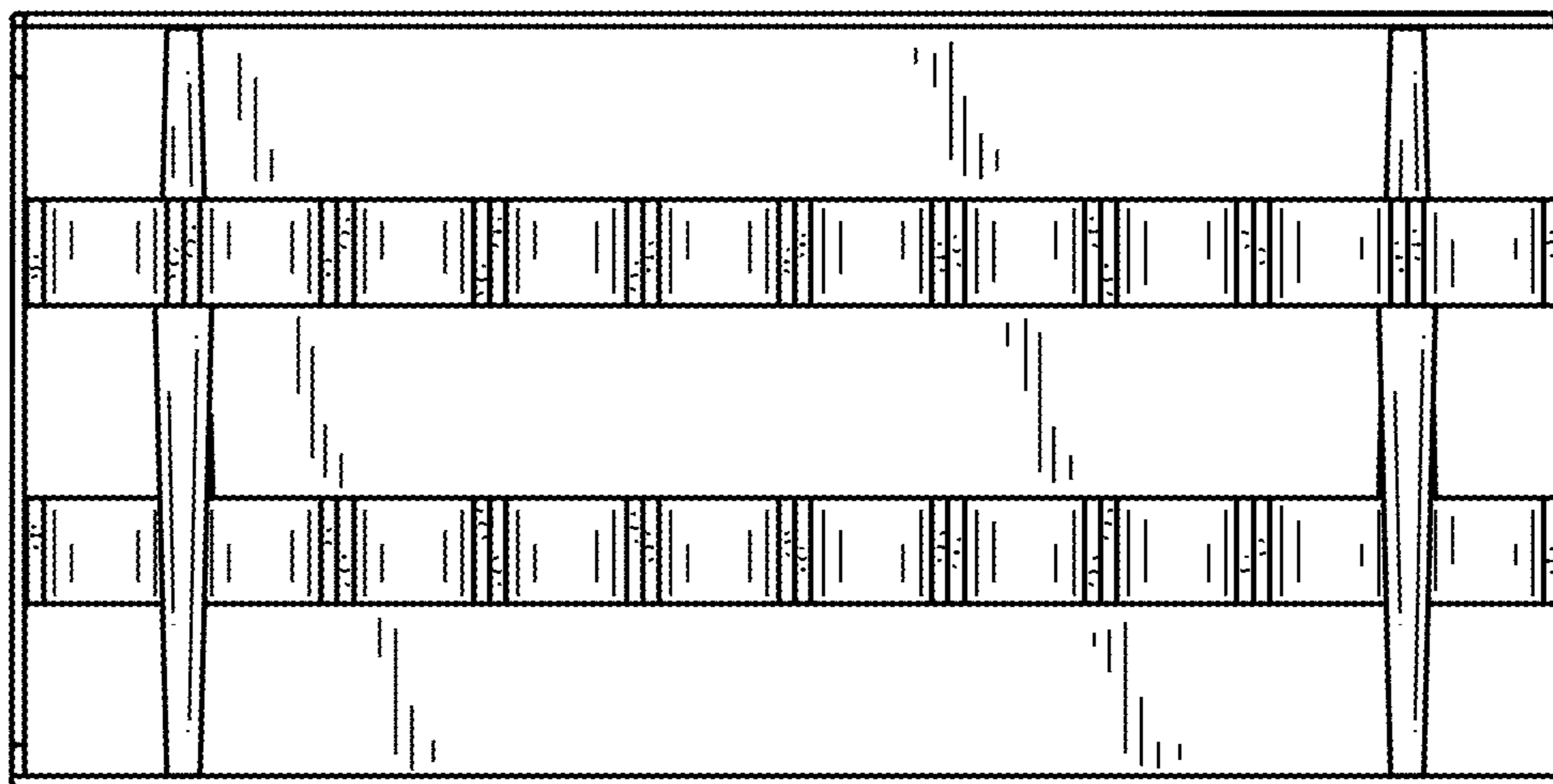


FIG. 15

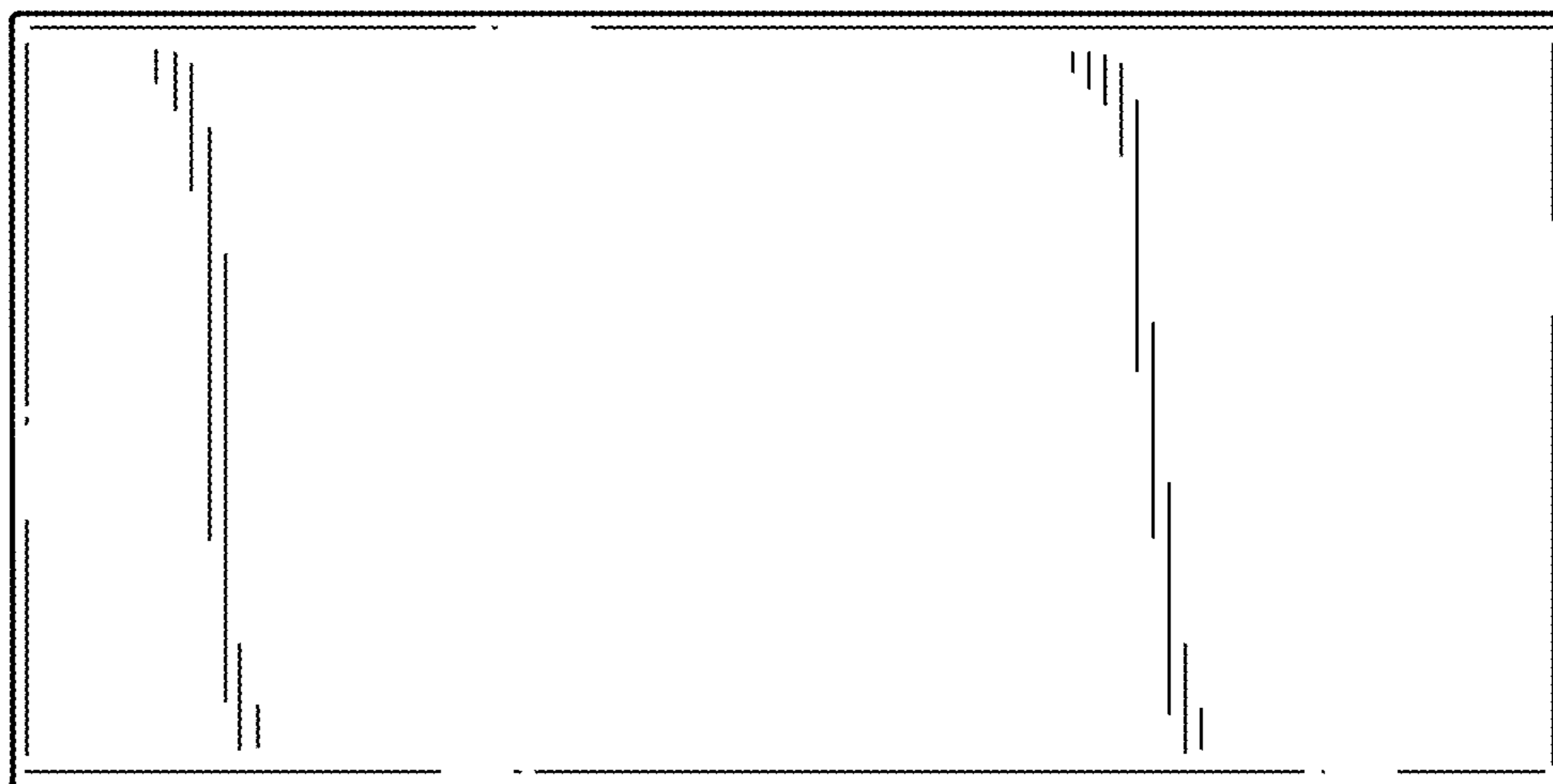
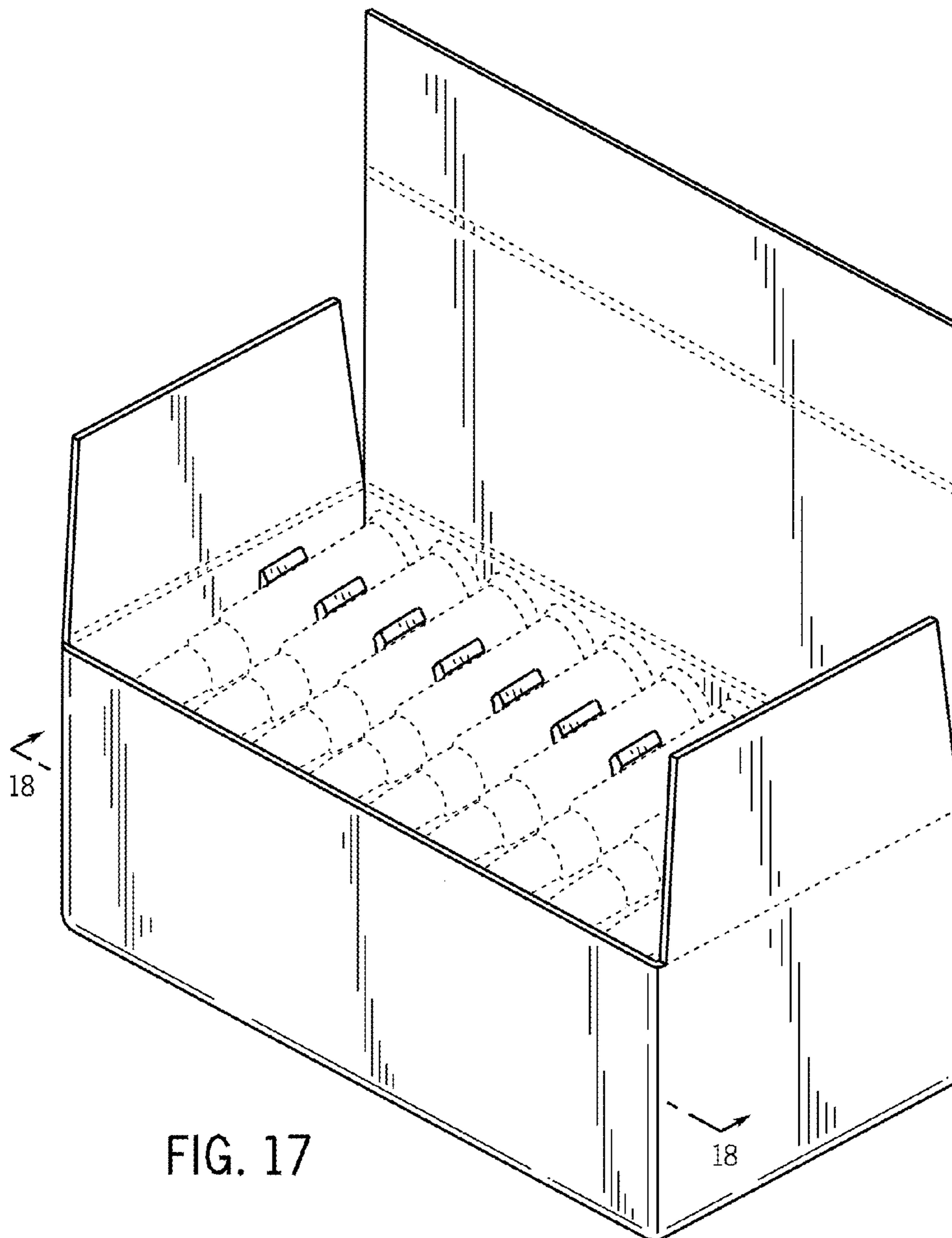


FIG. 16



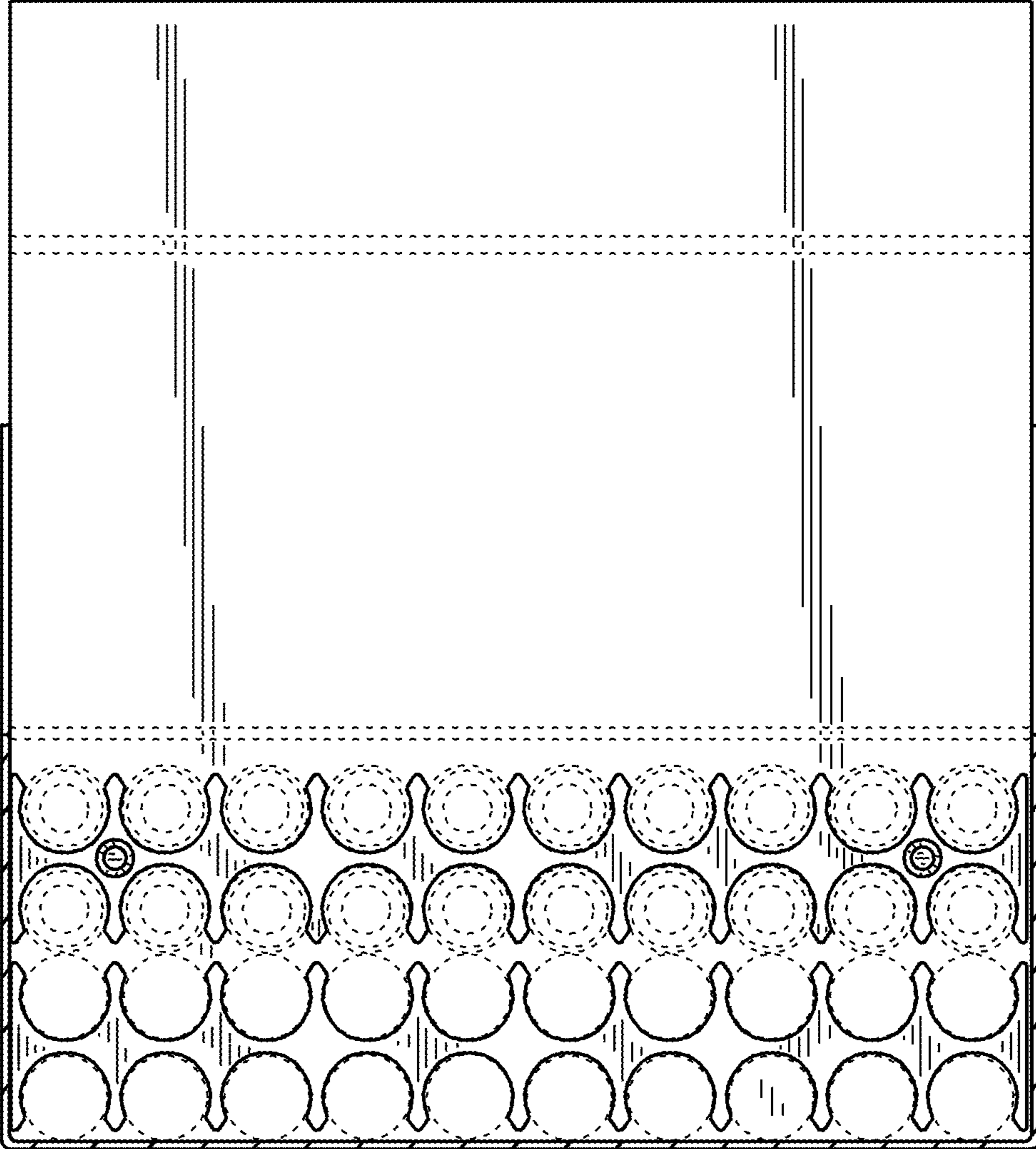


FIG. 18