

US00D751377S

(12) **United States Design Patent**
Duffy et al.

(10) **Patent No.:** **US D751,377 S**
(45) **Date of Patent:** **** Mar. 15, 2016**

- (54) **CLIP FOR LIGHT SOCKET**
- (71) Applicant: **Canadian Tire Corporation Limited**,
Toronto, Ontario (CA)
- (72) Inventors: **Allison Duffy**, Toronto (CA); **Tony Laguardia**, Aurora (CA); **Anthony Wolf**, Toronto (CA); **Shannon Lynar**, Ontario (CA)
- (**) Term: **14 Years**
- (21) Appl. No.: **29/503,719**
- (22) Filed: **Sep. 29, 2014**
- (51) **LOC (10) Cl.** **08-08**
- (52) **U.S. Cl.**
USPC **D8/395**
- (58) **Field of Classification Search**
USPC D8/394-396, 71-74, 499, 354-355;
D19/65, 102; D26/50, 92, 113
CPC D06F 55/00; A41B 3/08; A41F 15/02
See application file for complete search history.

D447,564	S	*	9/2001	Stewart, Jr.	D24/143
D457,409	S	*	5/2002	Noniewicz	D8/72
D514,926	S	*	2/2006	Wu	D8/395
D525,117	S	*	7/2006	Mariano et al.	D8/395
2010/0269309	A1	*	10/2010	Boesi et al.	24/303

FOREIGN PATENT DOCUMENTS

GB 4016623 * 9/2010

OTHER PUBLICATIONS

Retro 60's 70's spring clip spotlight, online, site visited Jul. 17, 2015, <http://www.1stopenretroshop.com/item-pages/mod-desk-lamps-lighting/retro-60s-clip-light-task-lighting.htm>.*

* cited by examiner

Primary Examiner — John Windmuller
Assistant Examiner — John R Yeh

(74) *Attorney, Agent, or Firm* — Patrick J. Hofbauer; Kevin E. Holbeche

(57) **CLAIM**

The ornamental design for a clip for light socket, as shown and described.

DESCRIPTION

FIG. 1 is a top and front facing, right perspective view of our new design;
 FIG. 2 is a further top and front facing, right perspective view thereof;
 FIG. 3 is a bottom and rear facing, left perspective view thereof;
 FIG. 4 is a side elevational view thereof;
 FIG. 5 is a front elevational view thereof;
 FIG. 6 is an opposing side elevational view thereof;
 FIG. 7 is a rear elevational view thereof;
 FIG. 8 is a top plan view thereof; and,
 FIG. 9 is a bottom plan view thereof.

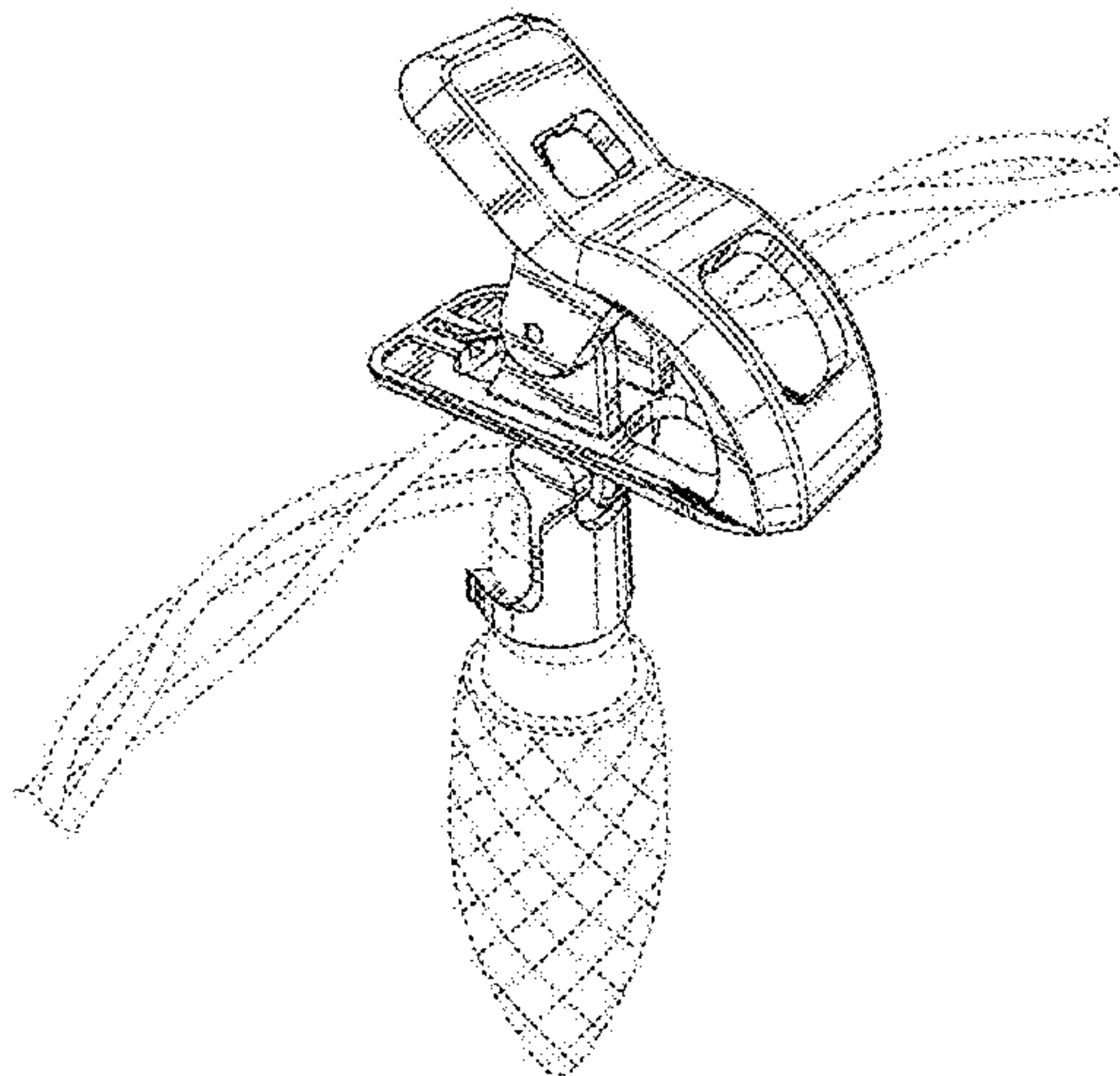
The broken lines in FIG. 1 showing a light bulb, a light socket and electrical wires are for the purpose of illustrating environmental structure and form no part the claimed design.

1 Claim, 5 Drawing Sheets

(56) **References Cited**

U.S. PATENT DOCUMENTS

1,895,656	A	*	1/1933	Gadke	248/229.26
2,667,678	A	*	2/1954	Hargrave et al.	24/508
2,782,482	A	*	2/1957	Baril et al.	24/501
3,149,390	A	*	9/1964	McCoy	24/564
D222,454	S	*	10/1971	Beeber	D24/187
D251,345	S	*	3/1979	Bigelow et al.	D6/328
D252,246	S	*	7/1979	Christian	D8/349
D257,950	S	*	1/1981	Van Meter et al.	D8/396
D297,616	S	*	9/1988	Doty et al.	D8/395
D315,447	S	*	3/1991	McMahon	D3/224
D316,333	S	*	4/1991	Maki	D6/328
D319,575	S	*	9/1991	Young	D8/395
D331,462	S	*	12/1992	Kraus et al.	D24/143
D350,892	S	*	9/1994	Sorensen	D8/395
D372,178	S	*	7/1996	Gossett et al.	D8/52
5,542,636	A	*	8/1996	Mann et al.	248/229.26
D411,298	S	*	6/1999	Godwin et al.	D24/128



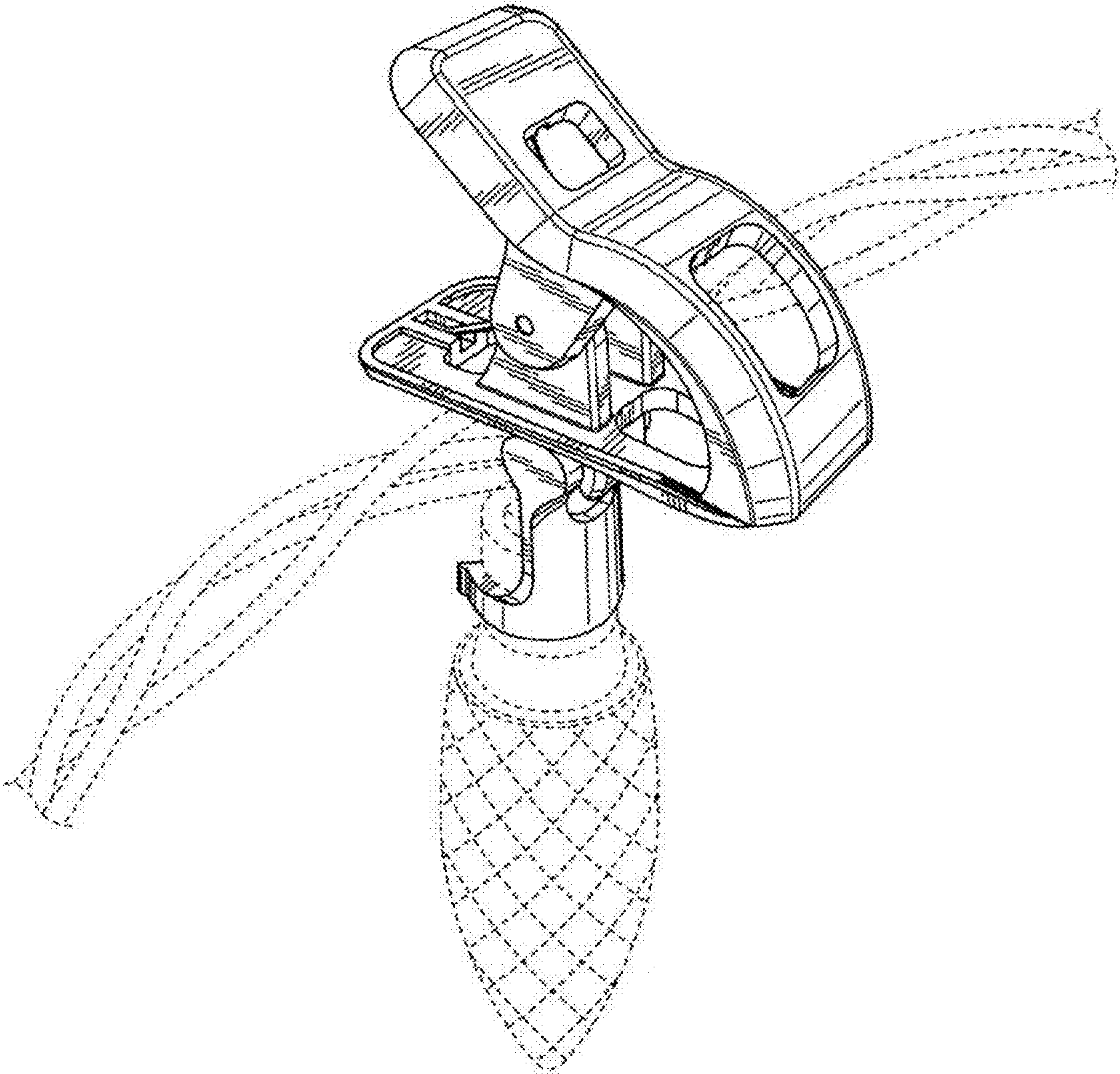


FIG. 1

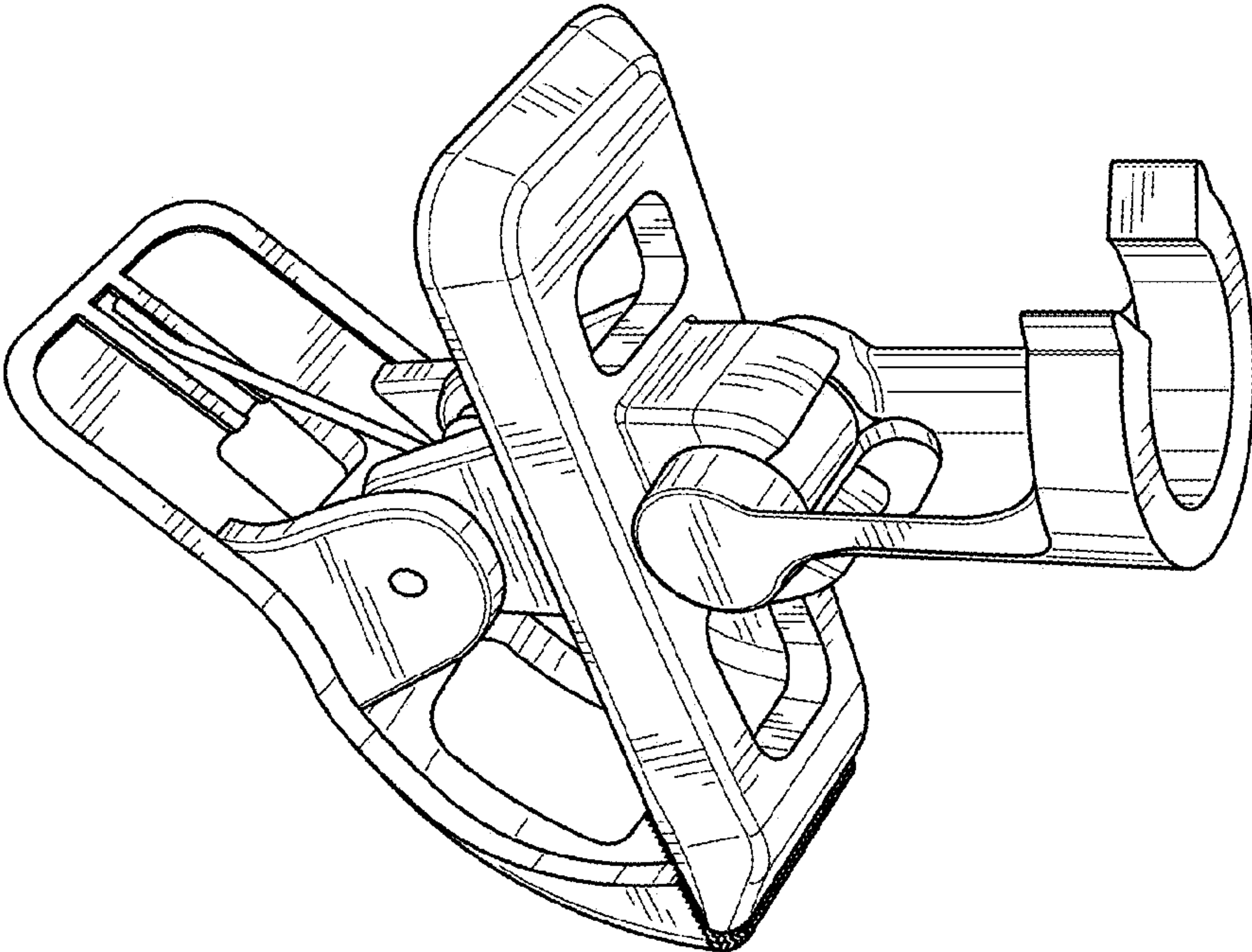


FIG. 3

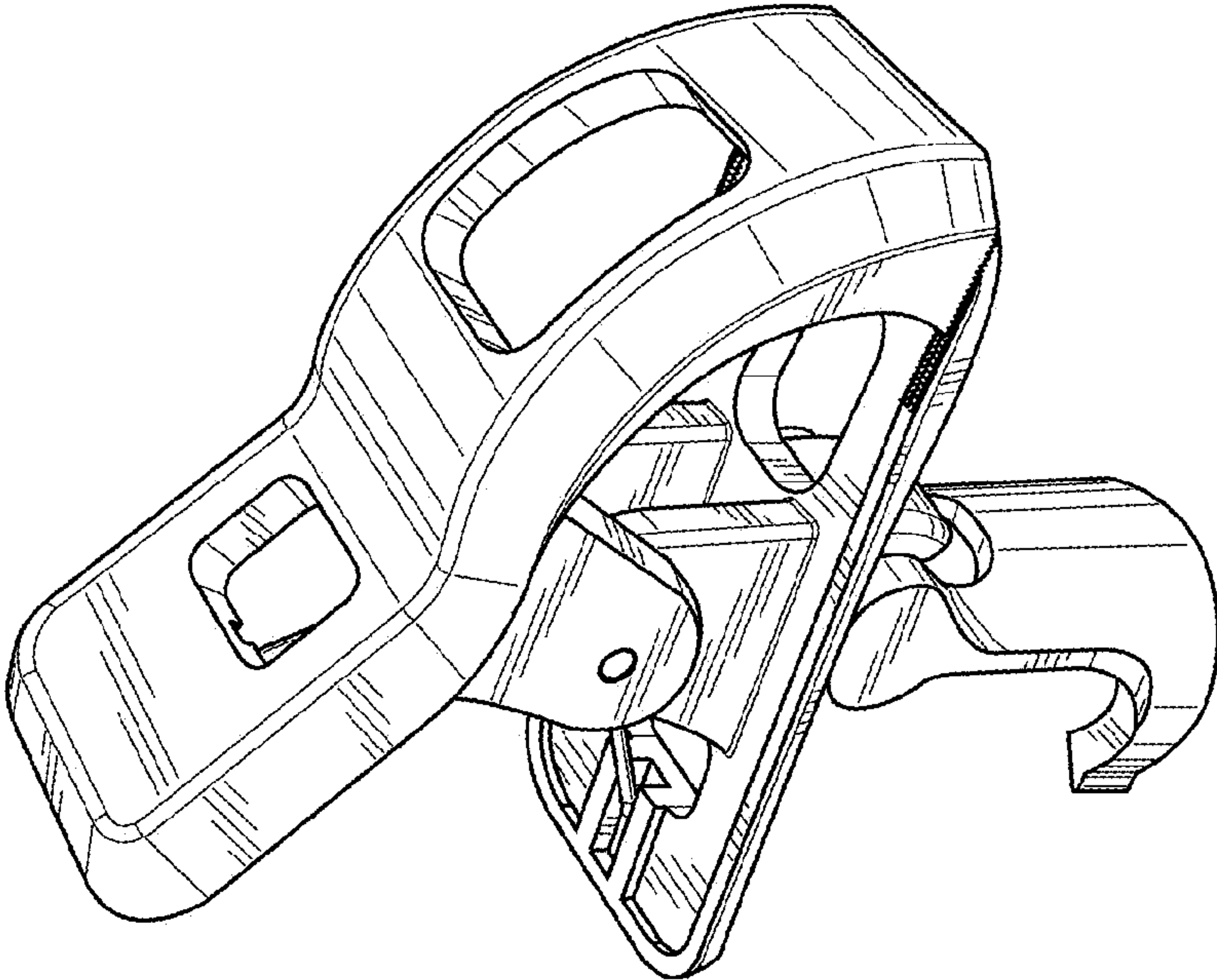


FIG. 2

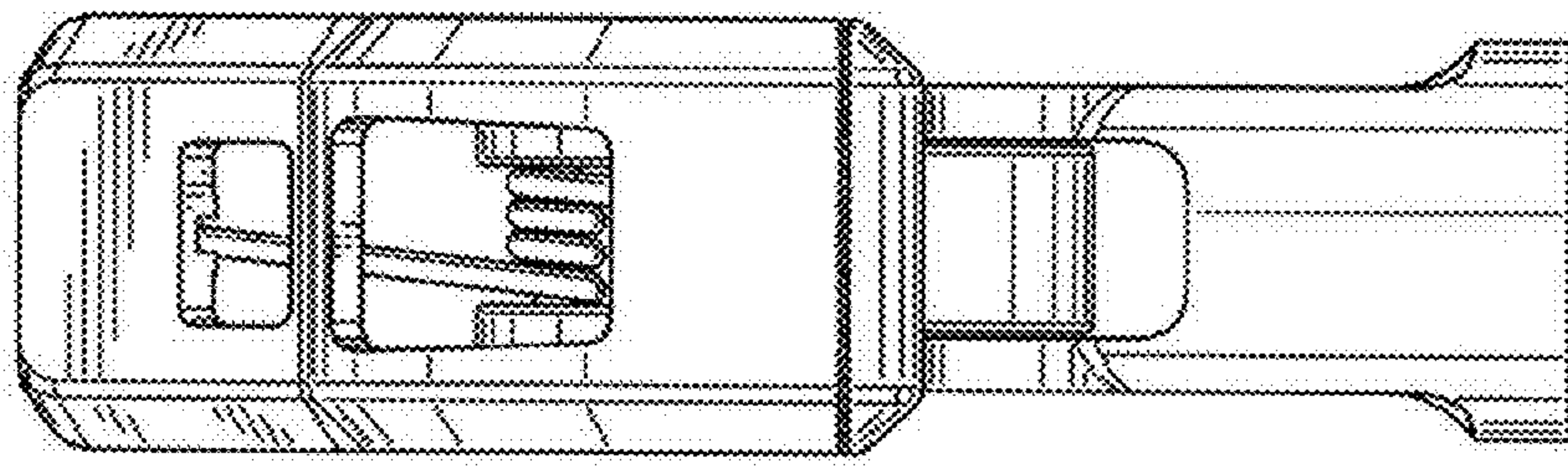


FIG. 5

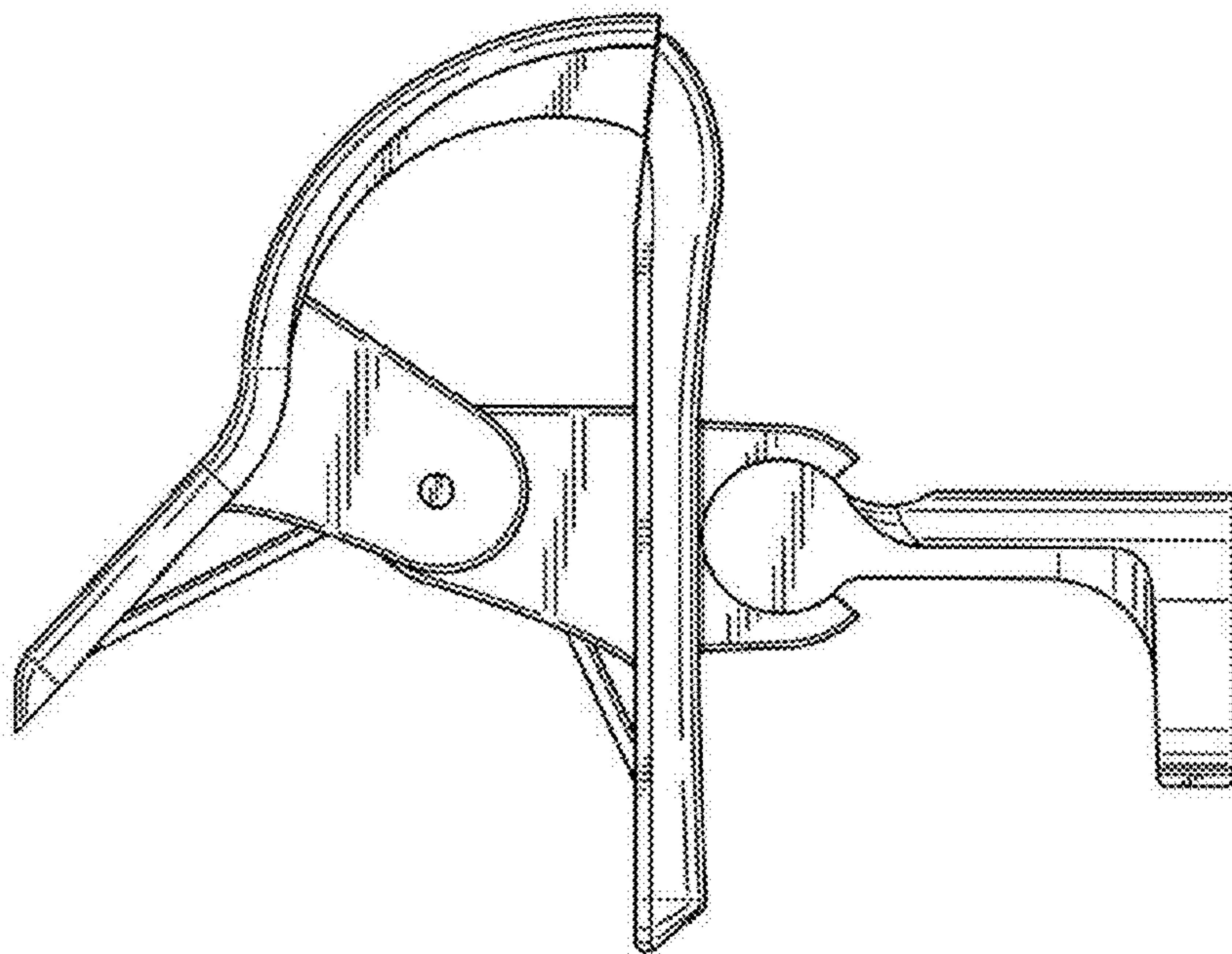


FIG. 4

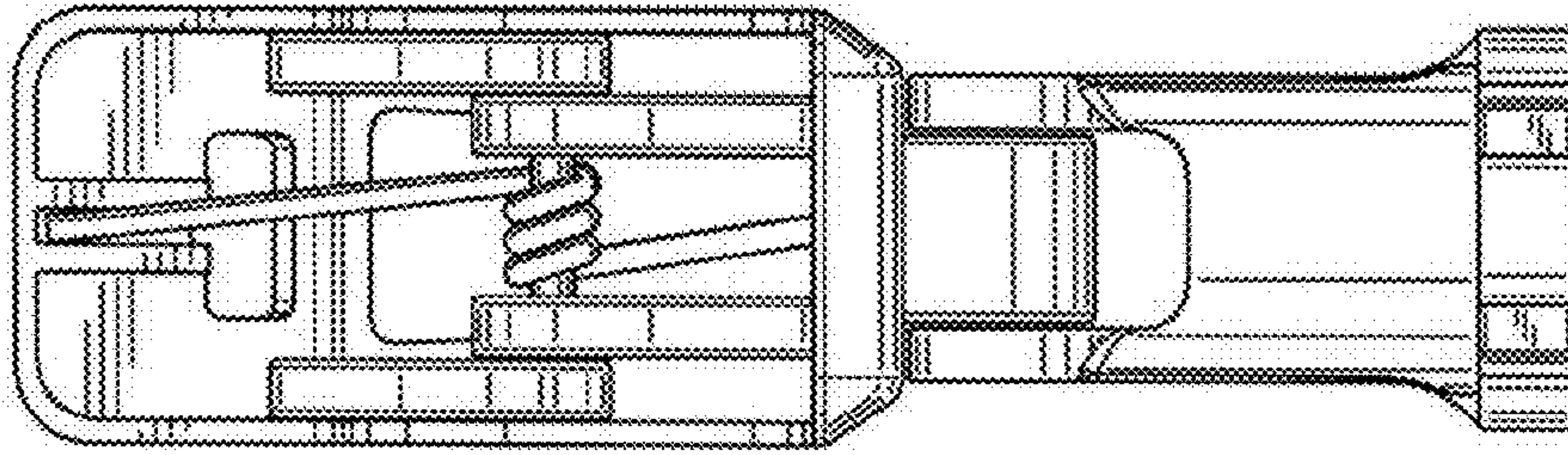


FIG. 7

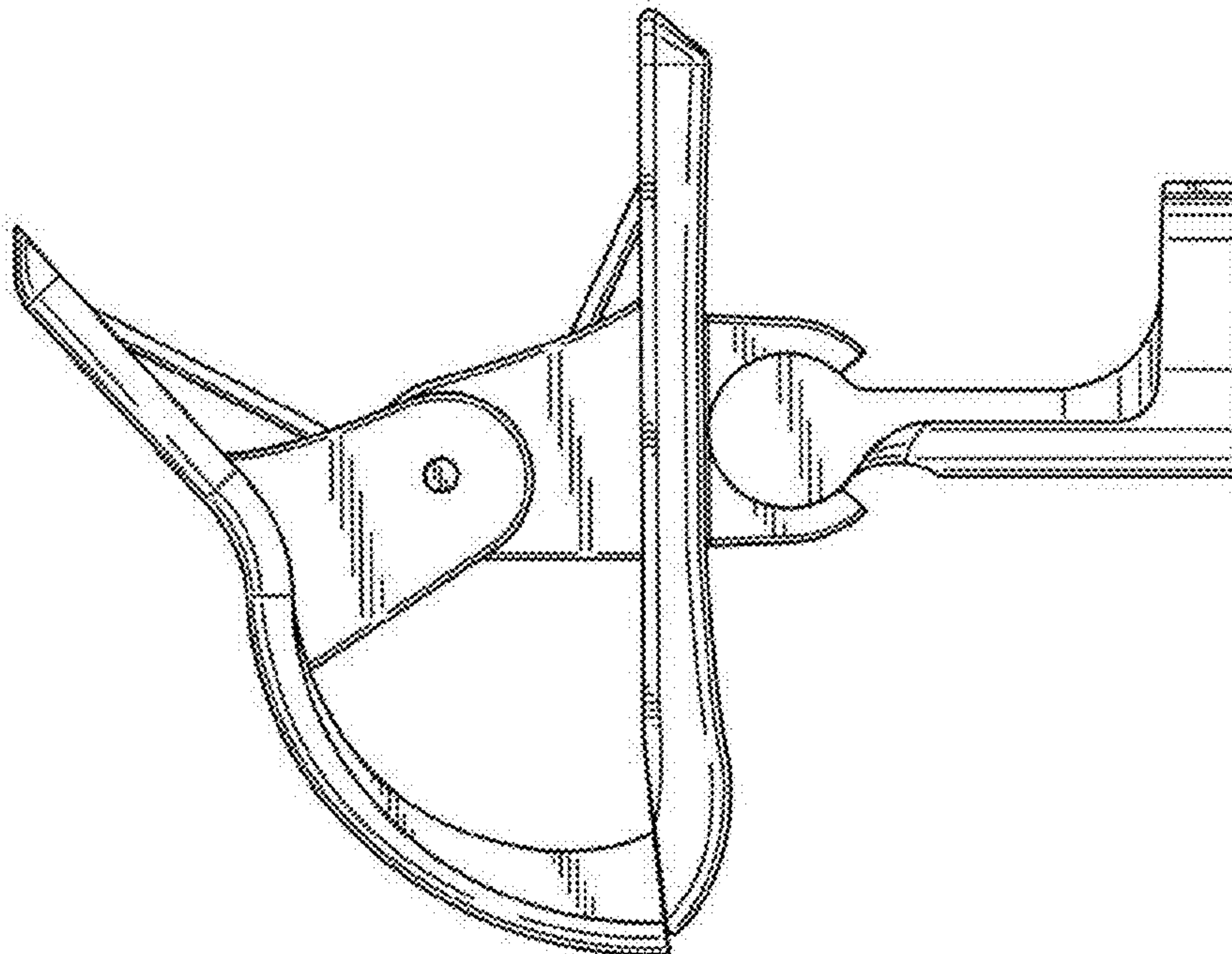


FIG. 6

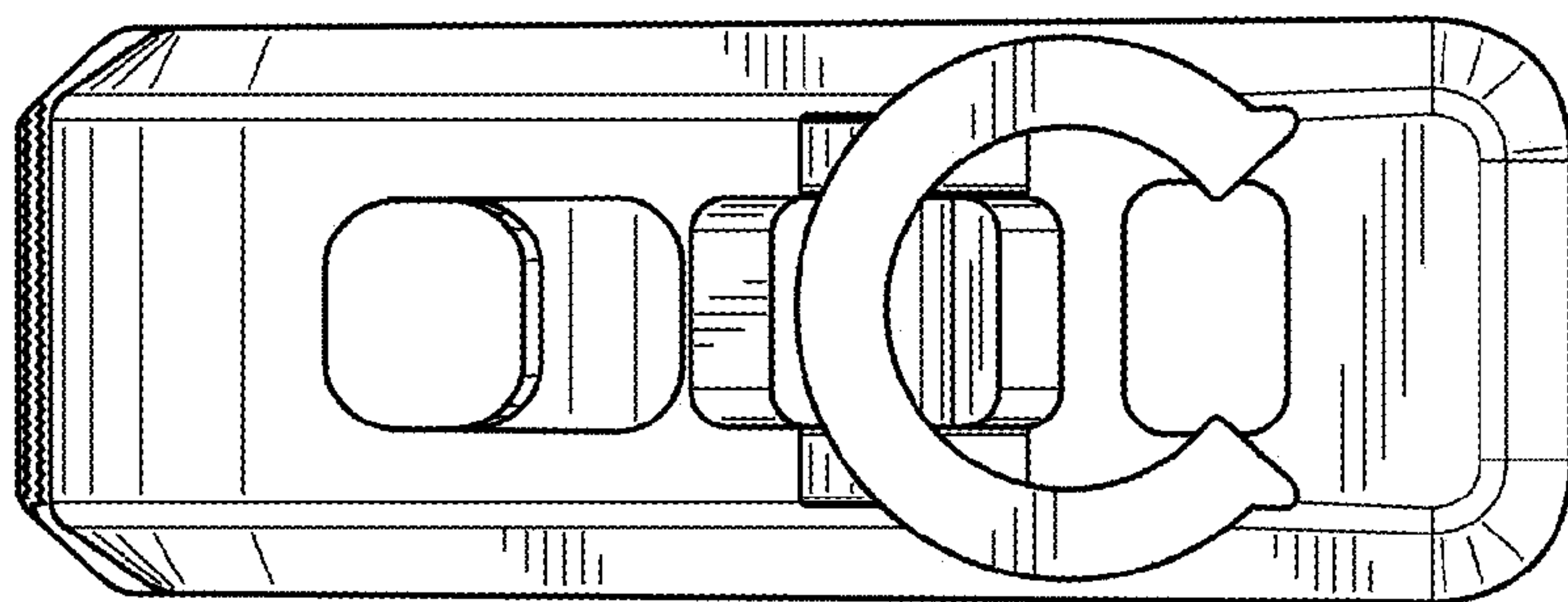


FIG. 9

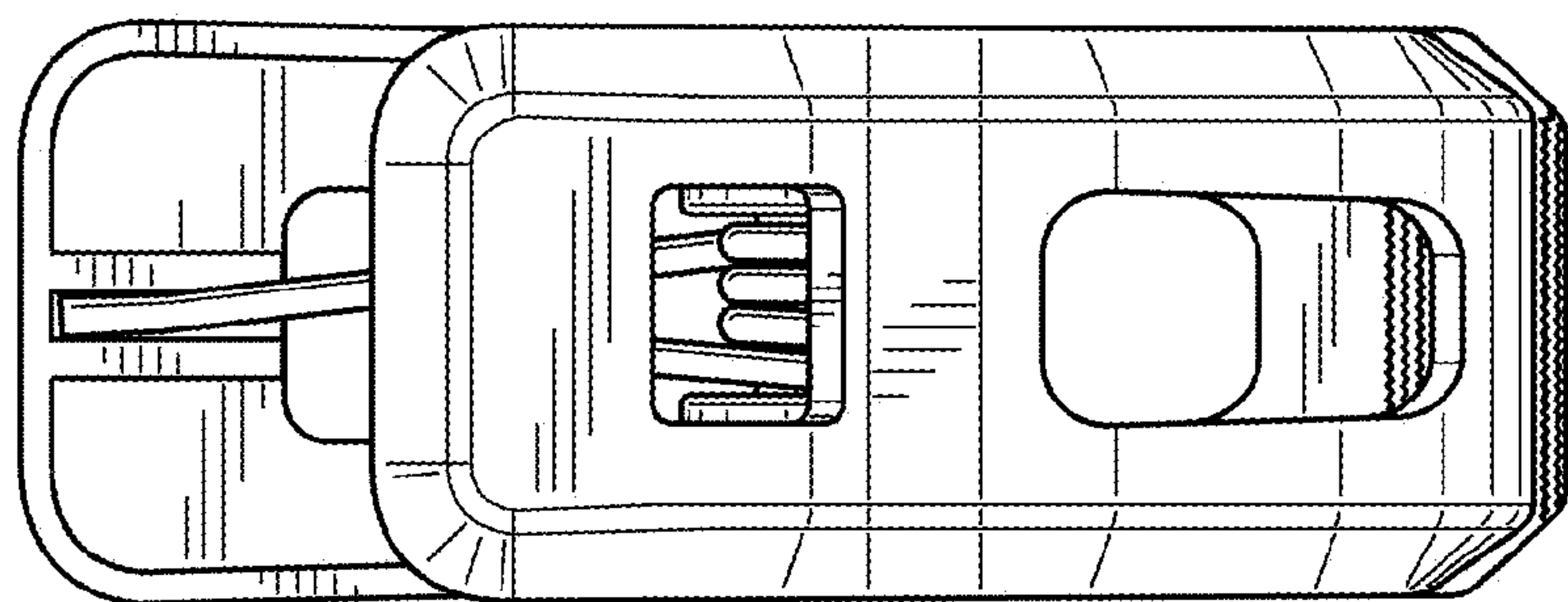


FIG. 8