



US00D751374S

(12) **United States Design Patent**
Dominguez

(10) **Patent No.:** **US D751,374 S**
(45) **Date of Patent:** **** Mar. 15, 2016**

- (54) **WIRE FORMED "I" BEAM HANGER**
- (71) Applicant: **Armando Dominguez**, Miami, FL (US)
- (72) Inventor: **Armando Dominguez**, Miami, FL (US)
- (**) Term: **14 Years**
- (21) Appl. No.: **29/474,689**
- (22) Filed: **Dec. 30, 2014**
- (51) **LOC (10) Cl.** **08-05**
- (52) **U.S. Cl.**
USPC **D8/373**
- (58) **Field of Classification Search**
USPC D8/16, 17, 18, 19, 20, 26, 363, 366,
D8/370-377, 380-382; D23/223, 257,
D23/238, 252; D6/323; D26/87; D19/113;
D20/10, 42, 99; D9/455, 499
See application file for complete search history.

D423,916 S *	5/2000	Kalat	D8/370
D600,101 S *	9/2009	Meyers	D8/370
D637,475 S *	5/2011	Yon	D8/370
D661,978 S *	6/2012	Holechek	D8/370

* cited by examiner

Primary Examiner — Robert M Spear
Assistant Examiner — Eliza Bennett-Hattan

(57) **CLAIM**

The ornamental design for a wire formed "I" beam hanger, as shown.

DESCRIPTION

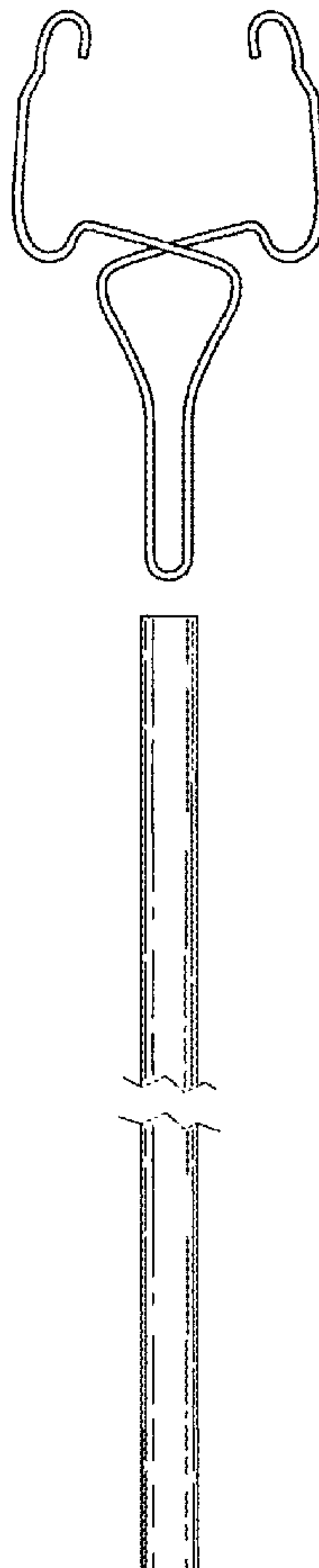
FIG. 1 is a front elevation view.
 FIG. 2 is a front elevation view in an alternative position.
 FIG. 3 is a front partial cutting section view in another alternative position.
 FIG. 4 is a top elevation view coming from FIG. 3; and,
 FIG. 5 is a bottom elevation view coming from FIG. 3.
 The wire formed "I" beam hanger is shown with a symbolic break in its length. The appearance of any portion of the article between the break lines forms no part of the claimed design. The broken lines in the drawing depict environmental subject matter only and form no part of the claimed design.

1 Claim, 2 Drawing Sheets

(56) **References Cited**

U.S. PATENT DOCUMENTS

D29,041 S *	7/1898	Thomas	D8/370
D275,647 S *	9/1984	Blodgett	D8/354
D422,889 S *	4/2000	Gray	D8/370



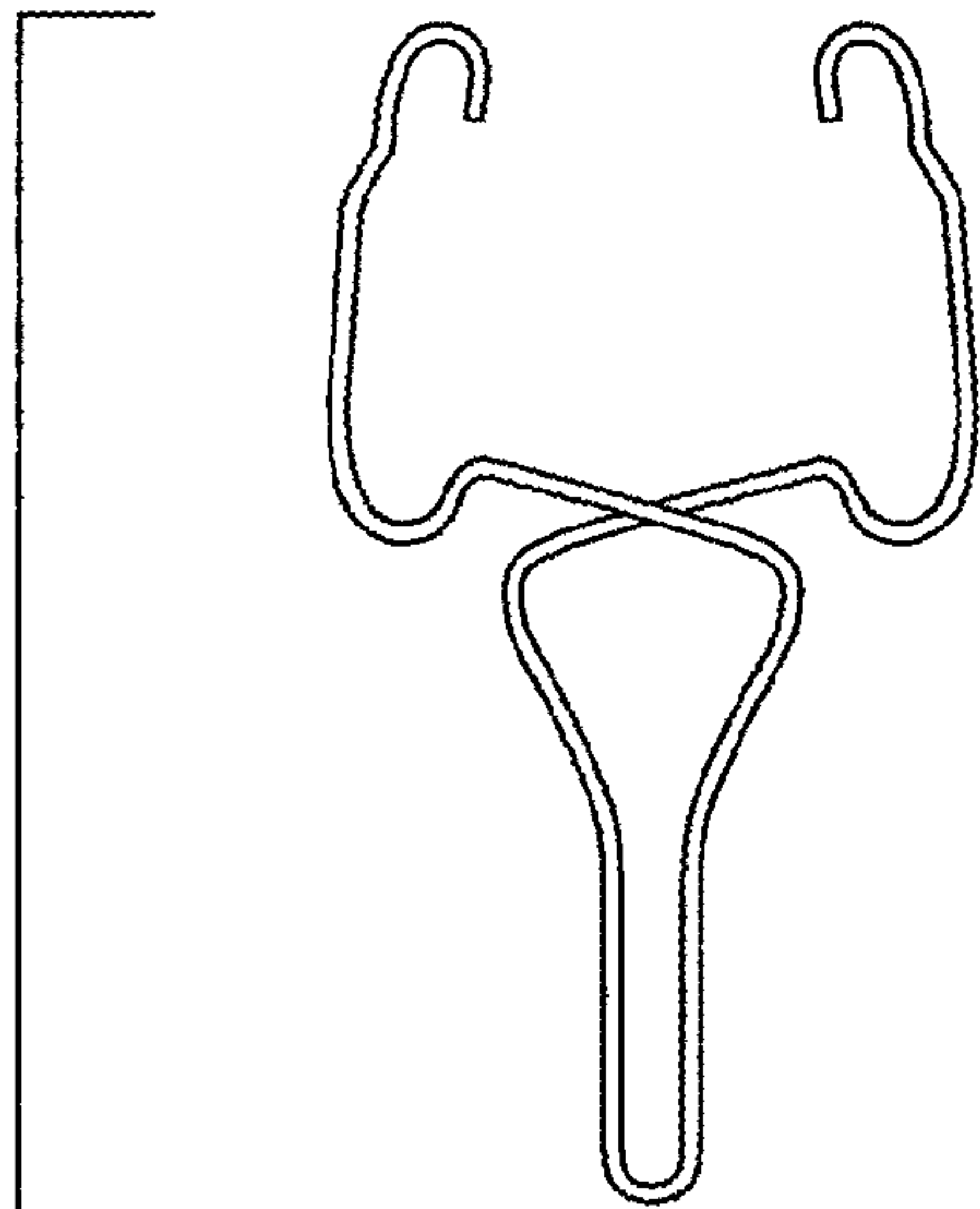


FIG 1

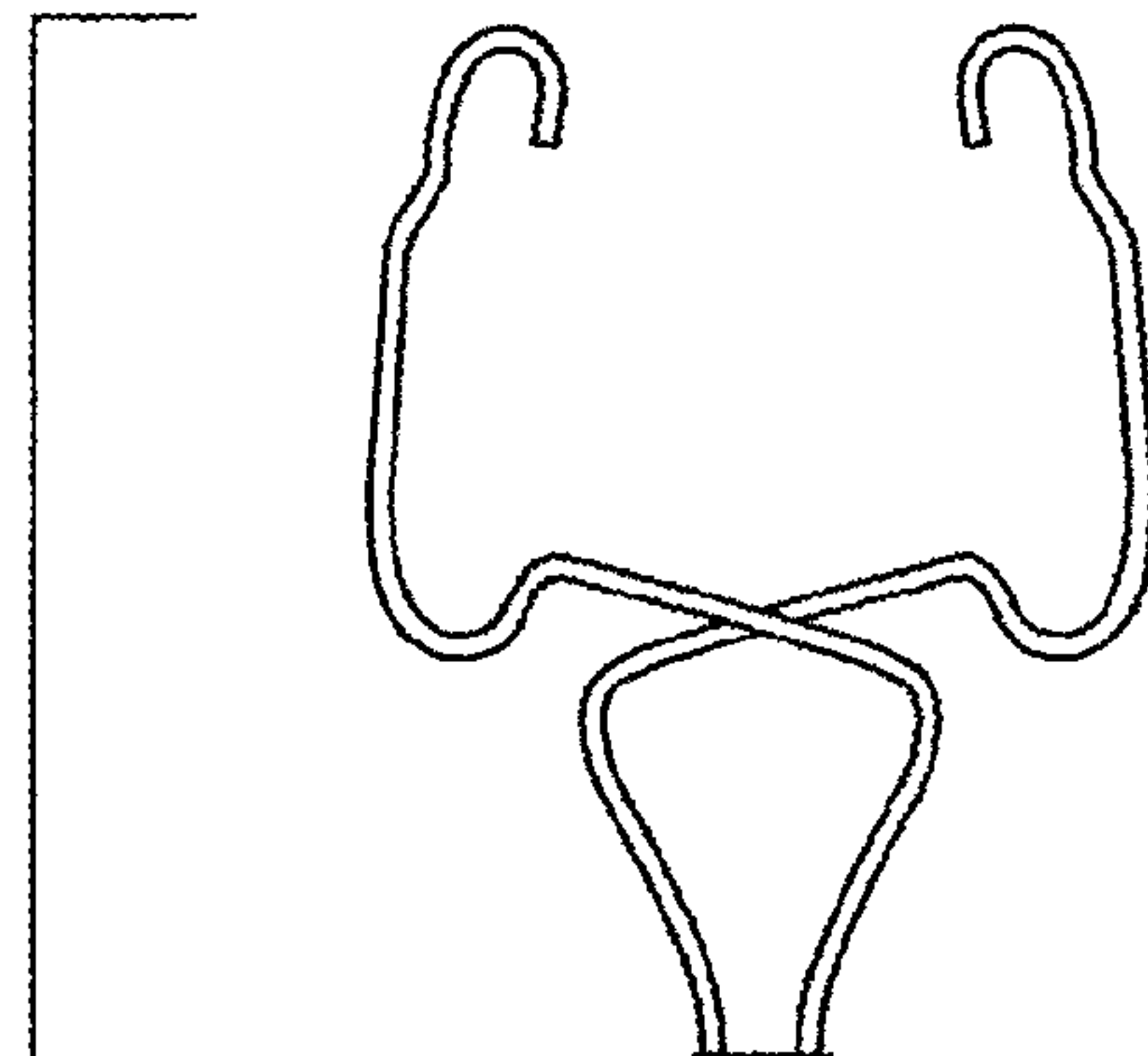
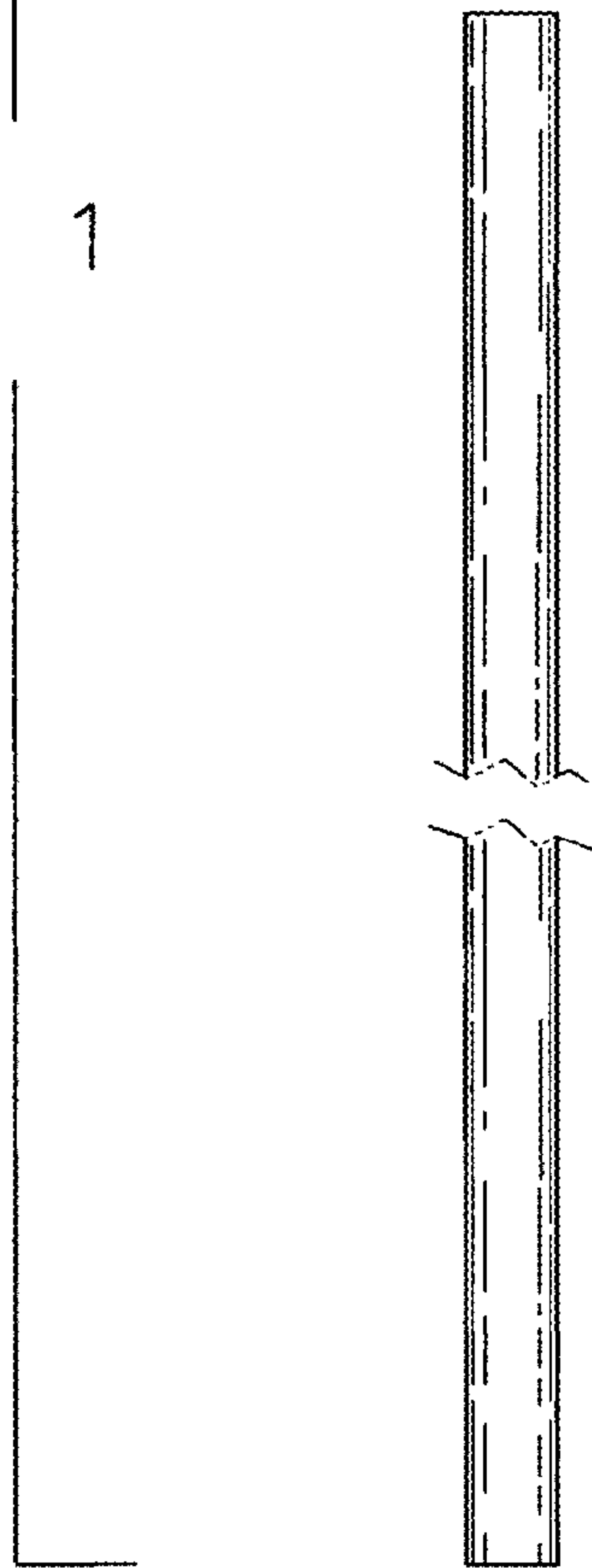
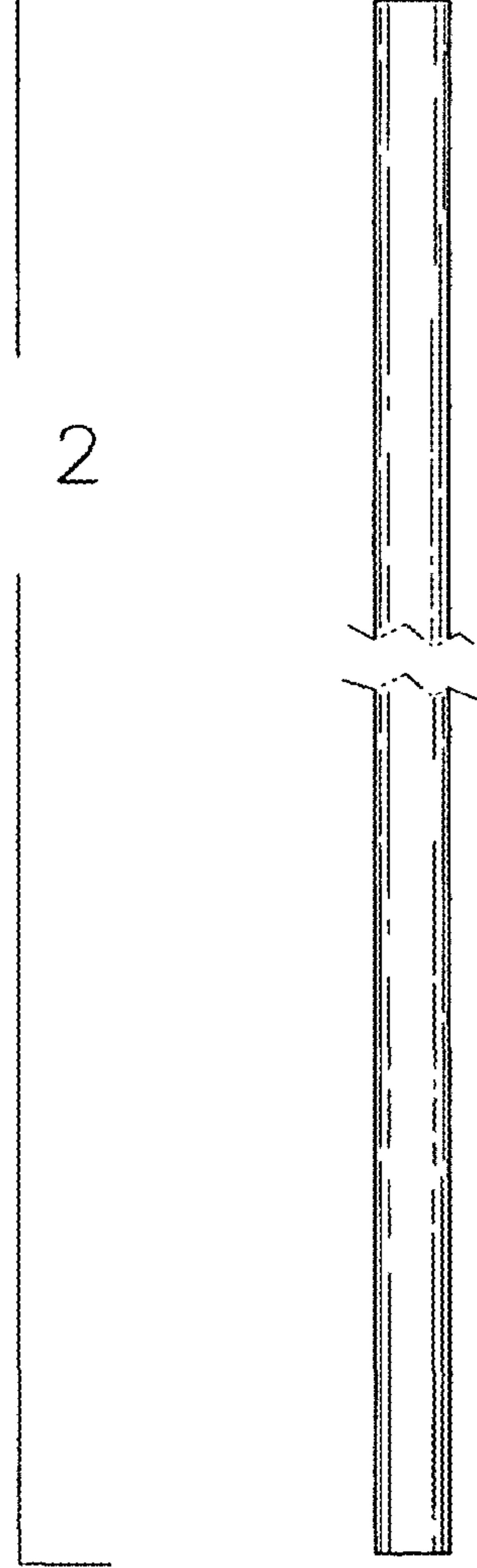


FIG 2



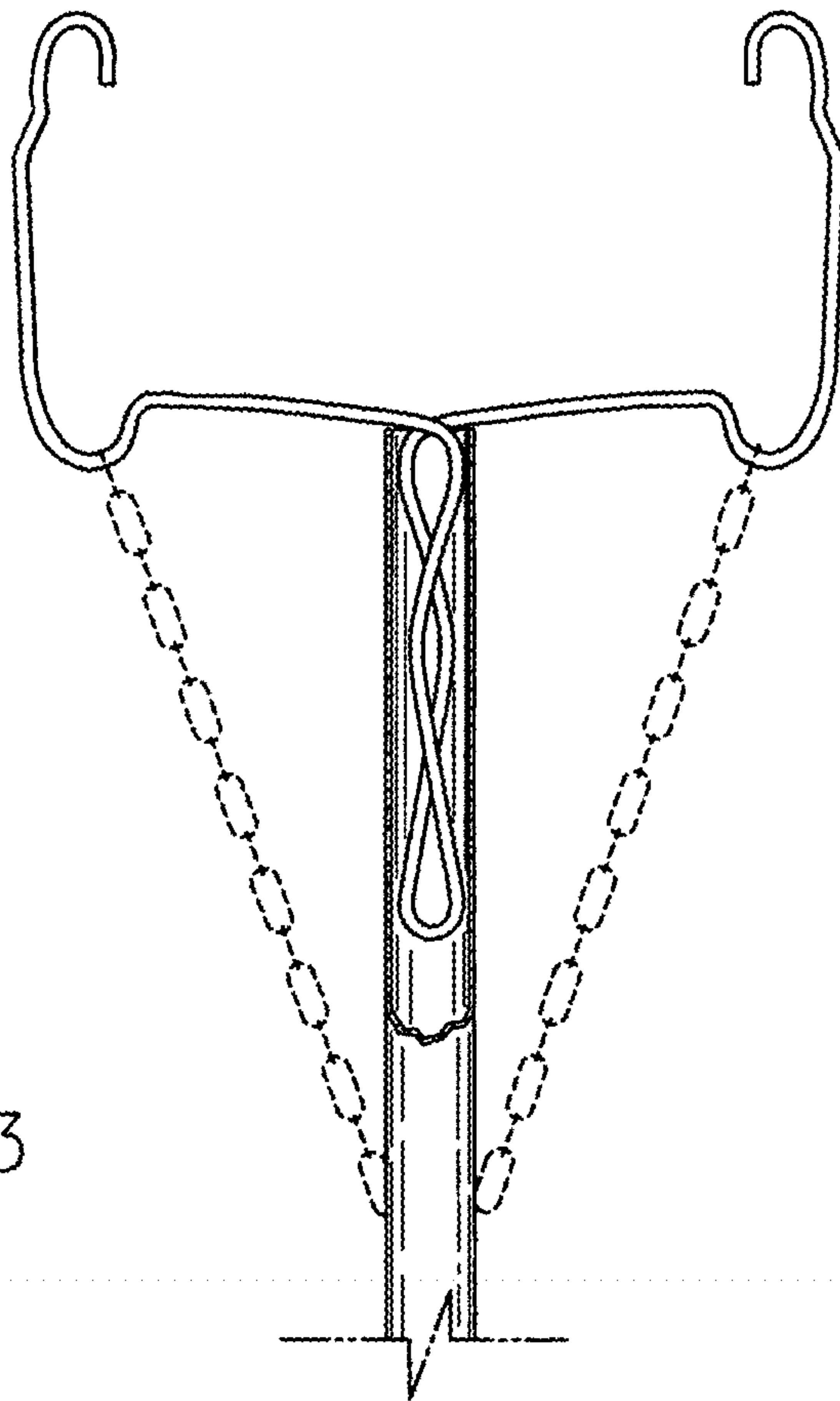


FIG 4



FIG 5

