



US00D751372S

(12) **United States Design Patent**  
**Thompson et al.**

(10) **Patent No.:** **US D751,372 S**  
(45) **Date of Patent:** **\*\* Mar. 15, 2016**

- (54) **HOLDER**
- (71) Applicant: **3M INNOVATIVE PROPERTIES COMPANY**, St. Paul, MN (US)
- (72) Inventors: **Craig D. Thompson**, Inver Grove Heights, MN (US); **Angela L. Pan**, Woodbury, MN (US)
- (73) Assignee: **3M INNOVATIVE PROPERTIES COMPANY**, St. Paul, MN (US)
- (\*\*) Term: **14 Years**
- (21) Appl. No.: **29/486,989**
- (22) Filed: **Apr. 4, 2014**
- (51) **LOC (10) Cl.** ..... **08-05**
- (52) **U.S. Cl.**  
USPC ..... **D8/372**
- (58) **Field of Classification Search**  
USPC ..... D8/16, 17, 18, 19, 20, 26, 363, 366, D8/370-377, 380-382  
CPC ..... B25B 27/00; B25B 27/14; B25B 27/02; B25B 9/00; B25B 27/0092; B25B 27/023; B25B 31/00; B25B 27/0028; B25B 27/0035; B25B 27/062; B25B 33/00; B25B 9/02; B25B 13/48; B25B 23/00; B25B 23/10; B25B 23/101; B25B 27/10  
See application file for complete search history.

- D404,287 S 1/1999 Hepworth
- D409,426 S 5/1999 Hampshire
- D417,606 S 12/1999 Bries
- D458,070 S 6/2002 Bennett
- D463,941 S \* 10/2002 Kerr ..... D6/572
- D472,134 S 3/2003 Goodman
- D480,292 S 10/2003 Johansson
- D482,600 S \* 11/2003 Dretzka ..... D8/367
- D483,593 S 12/2003 Knapp
- D502,221 S 2/2005 Chen
- D532,234 S 11/2006 Snell
- D543,837 S 6/2007 Newbould
- D547,584 S \* 7/2007 Little ..... D6/569

(Continued)

**FOREIGN PATENT DOCUMENTS**

- AU 358890 11/2014
- AU 358955 11/2014

(Continued)

**OTHER PUBLICATIONS**

US Design Publication: Official Gazette, No. 2, vol. 1209, (Apr. 14, 1998), p. 1922, 393412, (JPO Reference No. HC11049010).

*Primary Examiner* — Robert M Spear  
*Assistant Examiner* — Eliza Bennett-Hattan  
(74) *Attorney, Agent, or Firm* — Irina Hass

(57) **CLAIM**  
The ornamental design for a holder, as shown and described.

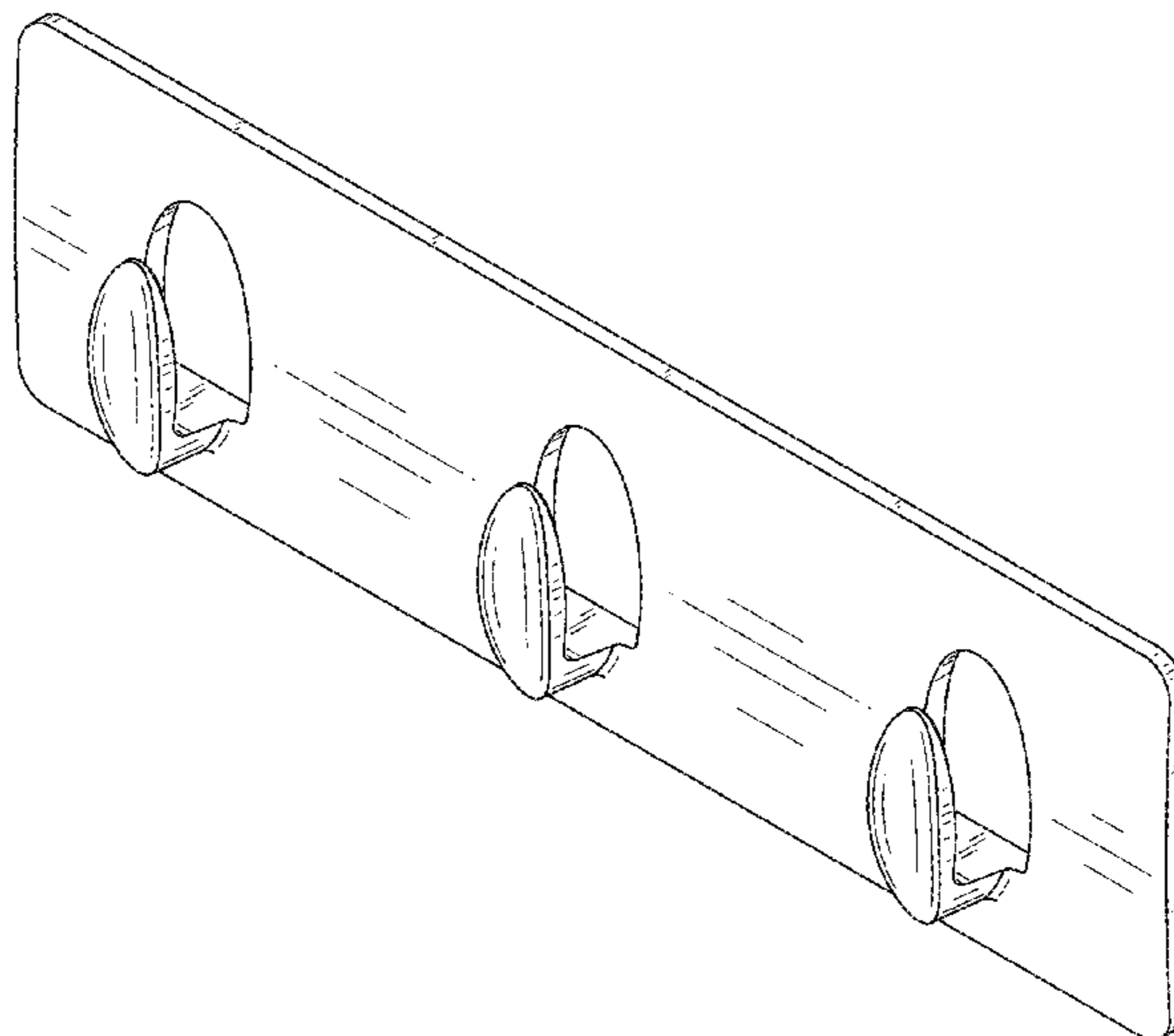
**DESCRIPTION**

FIG. 1 is a perspective view showing the new design for a holder;  
FIG. 2 is a front view thereof;  
FIG. 3 is a rear view thereof;  
FIG. 4 is a top view thereof;  
FIG. 5 is a right side view thereof, a left side view being a mirror image thereof; and,  
FIG. 6 is a bottom view thereof.

**1 Claim, 3 Drawing Sheets**

(56) **References Cited**  
**U.S. PATENT DOCUMENTS**

- D143,677 S 1/1946 Smith
- D199,321 S 10/1964 Peterson
- D291,154 S 8/1987 Owen
- D294,791 S \* 3/1988 Loscalzo ..... D6/323
- D294,792 S \* 3/1988 Zimmerman ..... D6/323
- 4,830,198 A 5/1989 Colquitt
- D327,197 S 6/1992 Belokin, Jr.
- D377,896 S 2/1997 Mesna



(56)

**References Cited**

U.S. PATENT DOCUMENTS

D554,481 S 11/2007 Newbould  
 D554,482 S 11/2007 Hager  
 D559,089 S 1/2008 Goodman  
 D581,711 S 12/2008 Goodman  
 D600,538 S 9/2009 Thompson  
 D609,995 S 2/2010 Hager  
 D632,950 S 2/2011 McGreevy  
 D641,228 S 7/2011 Qiblawi  
 D665,653 S 8/2012 Thompson  
 D678,041 S 3/2013 Pan  
 D679,578 S \* 4/2013 Gilboe ..... D6/569  
 D680,804 S 4/2013 Gilboe  
 D680,852 S 4/2013 Gilboe  
 D682,014 S 5/2013 Gilboe  
 D682,664 S 5/2013 Gilboe  
 D686,021 S 7/2013 Gilboe  
 D690,531 S 10/2013 Gilboe  
 D690,532 S 10/2013 Gilboe  
 D694,097 S 11/2013 Hammer  
 D697,389 S 1/2014 Pan  
 D699,973 S 2/2014 Pan

D714,621 S 10/2014 Pan  
 D714,622 S 10/2014 Pan  
 D714,623 S 10/2014 Pan  
 D715,133 S 10/2014 Pan  
 D715,625 S 10/2014 Pan  
 D716,134 S 10/2014 Pan

FOREIGN PATENT DOCUMENTS

CA	157032	1/2015
CA	158986	6/2015
CA	154536	7/2015
CN	301293792	7/2010
EM	000078886-001	9/2003
EM	000098694-001	11/2003
JP	397703	2/1975
JP	397704	2/1975
JP	690907	7/1986
JP	1281390	8/2006
TW	436050	5/2001
TW	460159	10/2001
TW	D144089	12/2011

\* cited by examiner

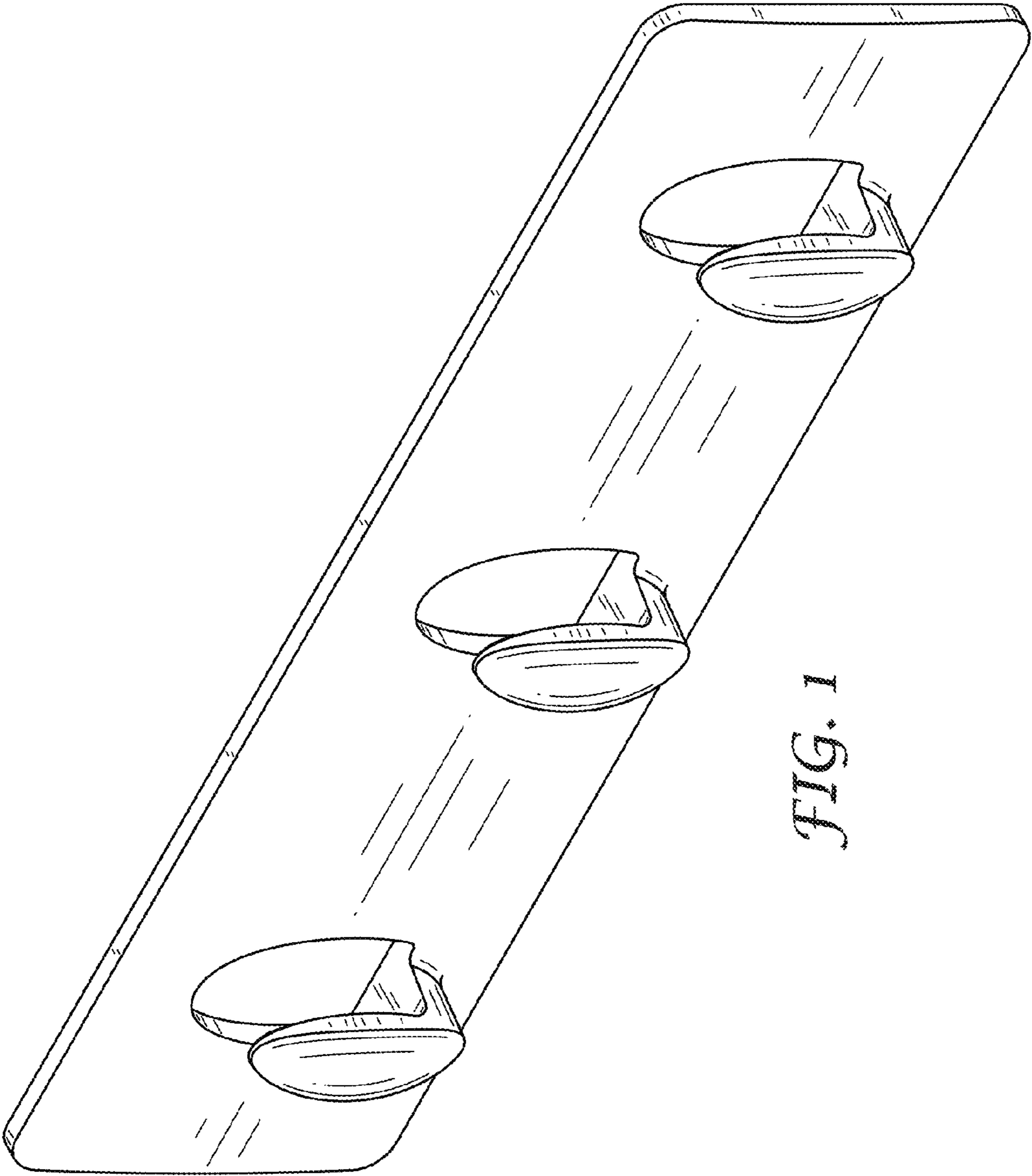


FIG. 1

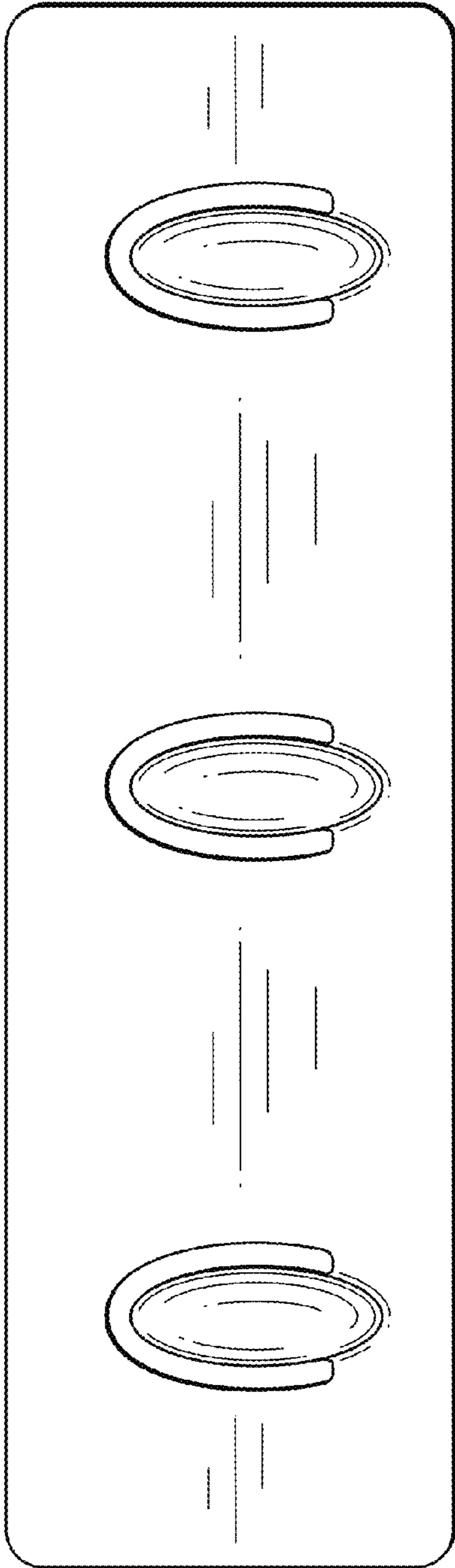


FIG. 2

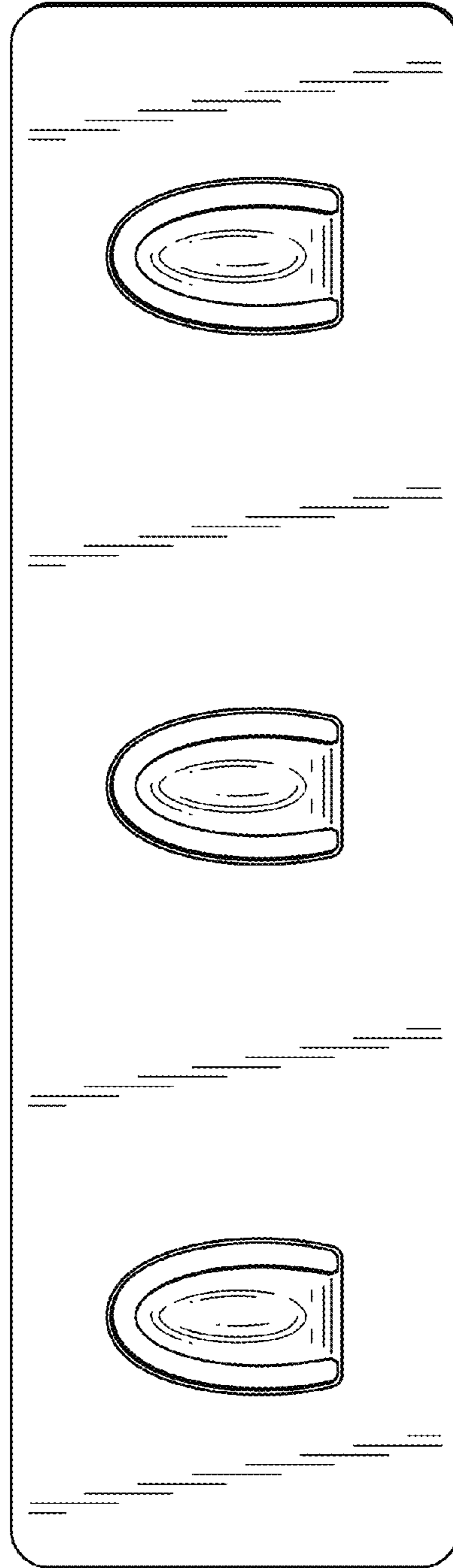


FIG. 3

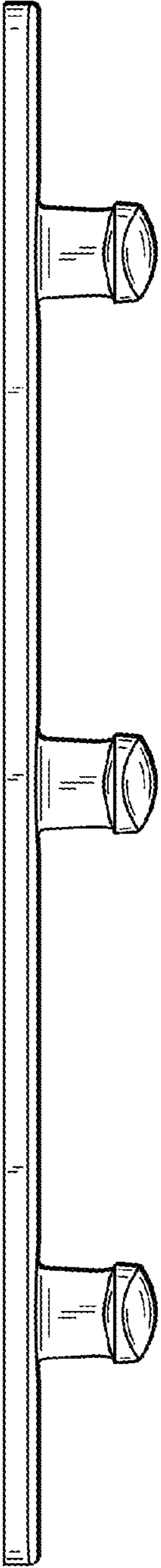


FIG. 4

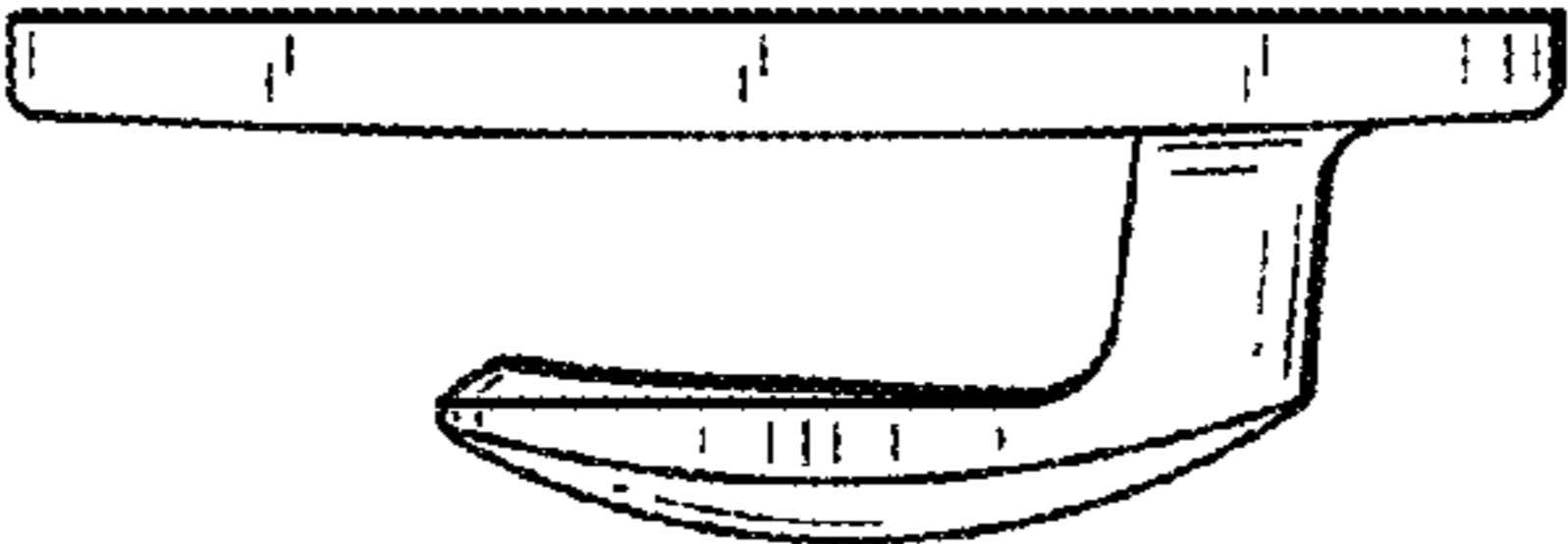


FIG. 5

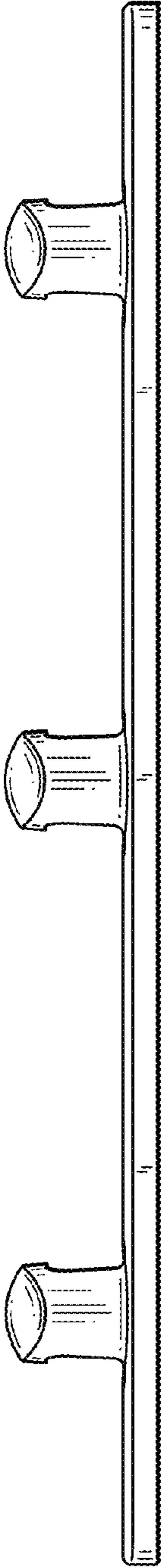


FIG. 6