



US00D751371S

(12) **United States Design Patent**  
**Pan**

(10) **Patent No.:** **US D751,371 S**  
(45) **Date of Patent:** **\*\* Mar. 15, 2016**

(54) **HOLDER**  
(71) Applicant: **3M INNOVATIVE PROPERTIES COMPANY**, St. Paul, MN (US)  
(72) Inventor: **Angela L. Pan**, Woodbury, MN (US)  
(73) Assignee: **3M INNOVATIVE PROPERTIES COMPANY**, St. Paul, MN (US)

D458,070 S 6/2002 Bennett  
D472,134 S 3/2003 Goodman  
D480,292 S 10/2003 Johansson  
D483,593 S 12/2003 Knapp  
D494,048 S \* 8/2004 Goodman ..... D8/372  
D499,329 S \* 12/2004 Suero, Jr. .... D8/372  
D502,221 S 2/2005 Chen  
D532,234 S 11/2006 Snell  
D543,837 S 6/2007 Newbould  
D554,481 S 11/2007 Newbould

(Continued)

(\*\*) Term: **14 Years**  
(21) Appl. No.: **29/486,977**

**FOREIGN PATENT DOCUMENTS**

AU 358890 11/2014  
AU 358955 11/2014

(Continued)

(22) Filed: **Apr. 4, 2014**  
(51) **LOC (10) Cl.** ..... **08-05**  
(52) **U.S. Cl.**  
USPC ..... **D8/372**

**OTHER PUBLICATIONS**

Bellemaison Sumai to Zakka Spring/Summer Permanent Edition, (Apr. 1, 1989), P211, (JPO Reference No. HC01025642).

(Continued)

(58) **Field of Classification Search**  
USPC ..... D8/16, 17, 18, 19, 20, 26, 363, 366, D8/370-377, 380-382  
CPC ..... B25B 27/00; B25B 27/14; B25B 27/02; B25B 9/00; B25B 27/0092; B25B 27/023; B25B 31/00; B25B 27/0028; B25B 27/0035; B25B 27/062; B25B 33/00; B25B 9/02; B25B 13/48; B25B 23/00; B25B 23/10; B25B 23/101; B25B 27/10  
See application file for complete search history.

*Primary Examiner* — Robert M Spear  
*Assistant Examiner* — Eliza Bennett-Hattan  
(74) *Attorney, Agent, or Firm* — Irina Hass

(57) **CLAIM**  
The ornamental design for a holder, as shown and described.

(56) **References Cited**

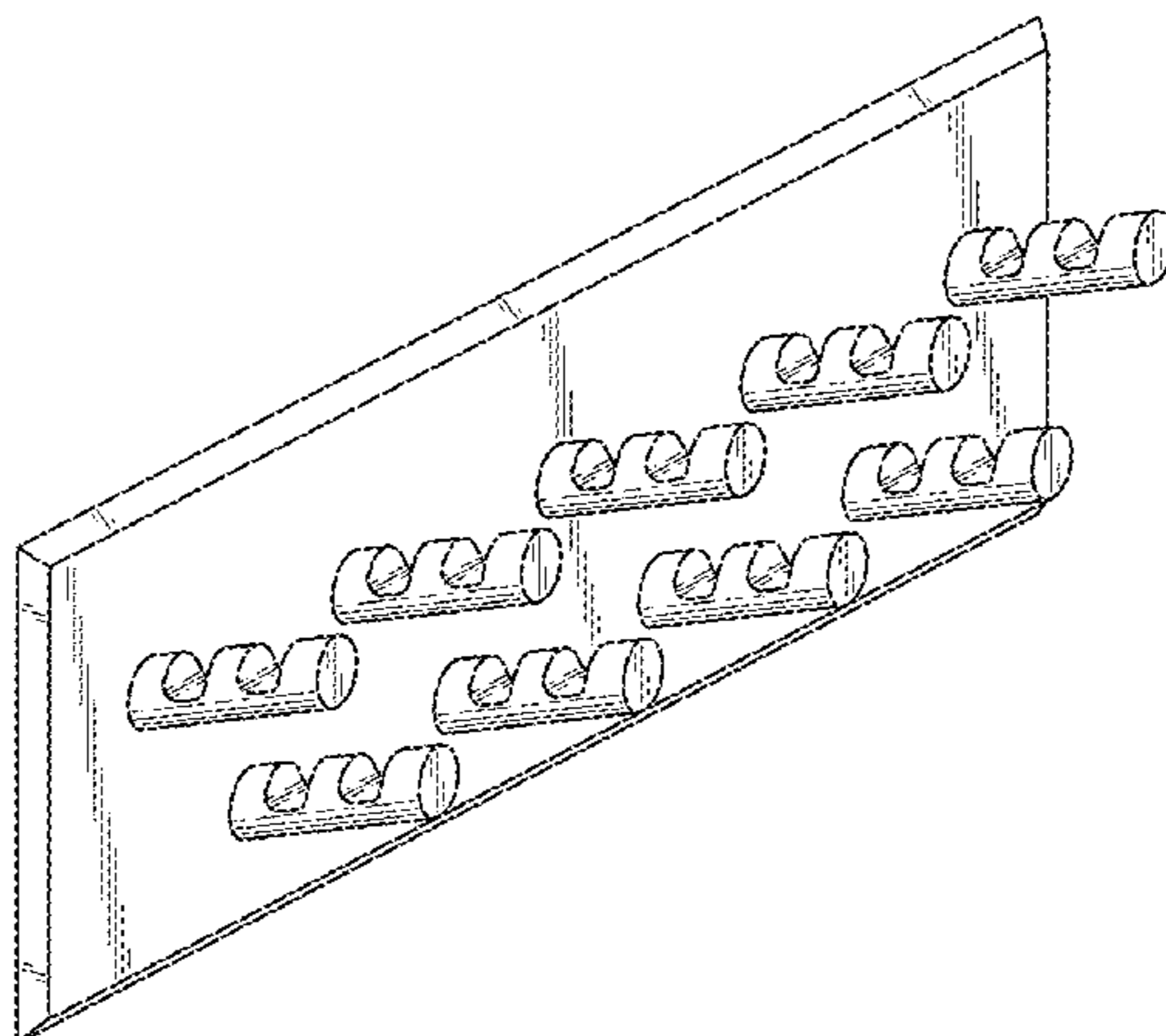
**DESCRIPTION**

**U.S. PATENT DOCUMENTS**

D143,677 S 1/1946 Smith  
D199,321 S 10/1964 Peterson  
D291,154 S 8/1987 Owen  
D294,791 S \* 3/1988 Loscalzo ..... D6/323  
D294,792 S \* 3/1988 Zimmerman ..... D6/323  
4,830,198 A 5/1989 Colquitt  
D327,197 S 6/1992 Belokin, Jr.  
D377,896 S 2/1997 Mesna  
D404,287 S 1/1999 Hepworth  
D409,426 S 5/1999 Hampshire  
D417,606 S 12/1999 Bries

FIG. 1 is a perspective view showing the new design for a holder;  
FIG. 2 is a front view thereof;  
FIG. 3 is a rear view thereof;  
FIG. 4 is a top view thereof;  
FIG. 5 is a bottom view thereof; and,  
FIG. 6 is a right side view thereof, a left side view being a mirror image thereof.

**1 Claim, 2 Drawing Sheets**



(56)

**References Cited**

**U.S. PATENT DOCUMENTS**

D554,482 S	11/2007	Hager	
D556,025 S	* 11/2007	Kubota .....	D8/372
D559,089 S	1/2008	Goodman	
D581,711 S	12/2008	Goodman	
D609,995 S	2/2010	Hager et al.	
D632,950 S	2/2011	McGreevy	
D641,228 S	7/2011	Qiblawi	
D665,653 S	8/2012	Thompson	
D677,093 S	* 3/2013	Benjamin .....	D6/570
D678,041 S	3/2013	Pan	
D679,578 S	4/2013	Gilboe	
D680,804 S	4/2013	Gilboe	
D680,852 S	4/2013	Gilboe	
D682,014 S	5/2013	Gilboe	
D682,664 S	5/2013	Gilboe	
D686,021 S	7/2013	Gilboe	
D690,531 S	10/2013	Gilboe	
D690,532 S	10/2013	Gilboe	
D694,097 S	11/2013	Hammer	
D697,389 S	1/2014	Pan	
D699,973 S	2/2014	Pan	
D714,621 S	10/2014	Pan	
D714,622 S	10/2014	Pan	

D714,623 S	10/2014	Pan	
D715,133 S	10/2014	Pan	
D715,625 S	10/2014	Pan	
D716,134 S	10/2014	Pan	
D722,462 S	* 2/2015	Callahan .....	D6/682.6

**FOREIGN PATENT DOCUMENTS**

CA	157032	1/2015
CA	158987	6/2015
CA	154536	7/2015
EM	000078886-0014	9/2003
EM	000078886-0015	9/2003
EM	000098694-0017	11/2003
EM	001675448-0002	3/2010
JP	62-141384	9/1987

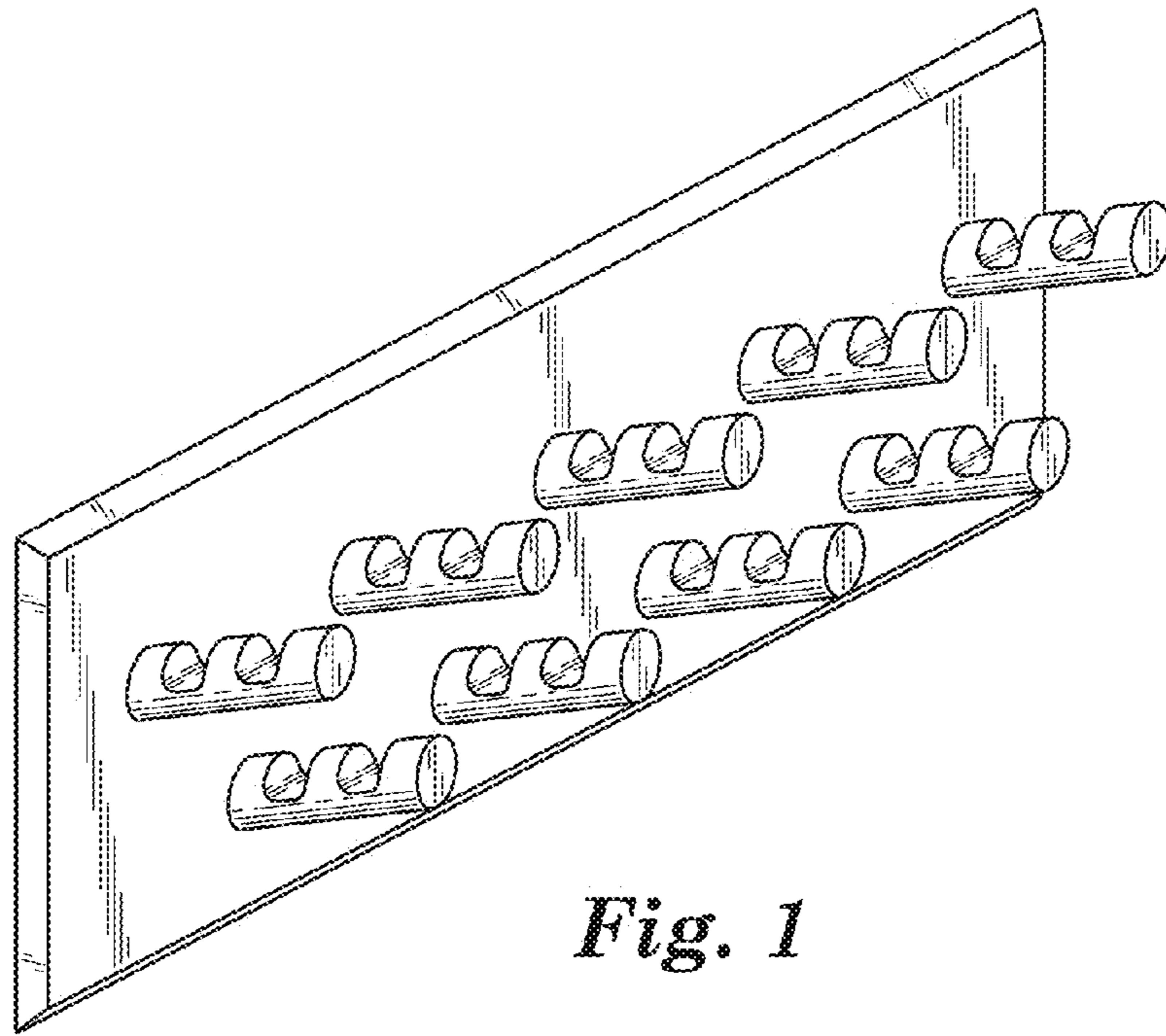
**OTHER PUBLICATIONS**

Catalogue for Products of Daiken, P174,DKH802B, (JPO Reference No. HC08001509).

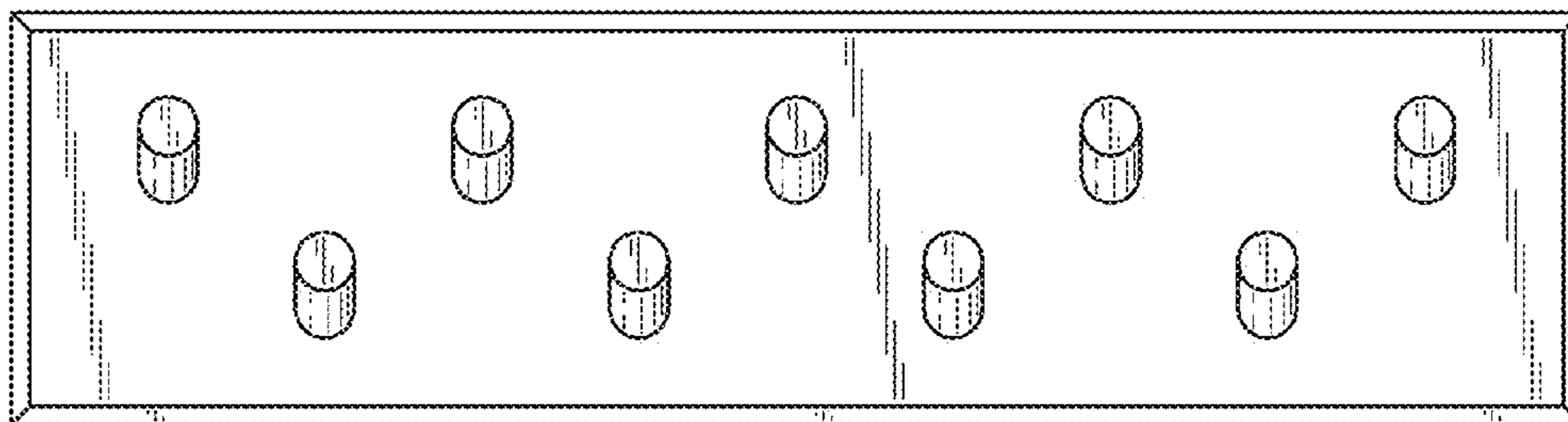
Garderoben, Ascher and Behälter. Beleibende Werte 2001, P13, (JPO Reference No. HD13001695).

HoldEverythingFeb. 1992, P5, (JPO Reference No. HD04010497).

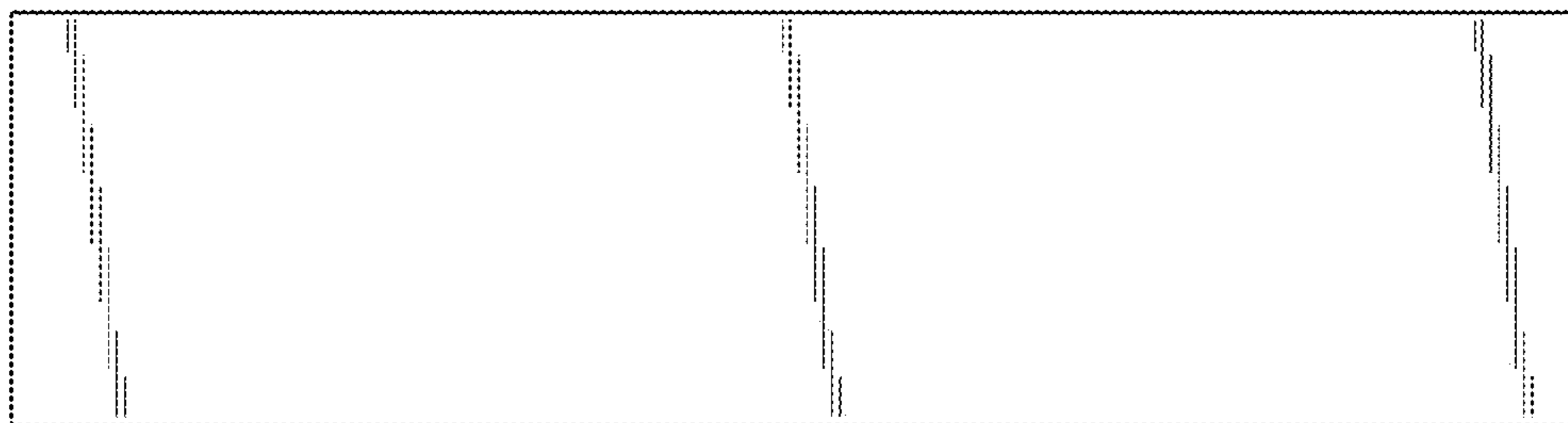
\* cited by examiner



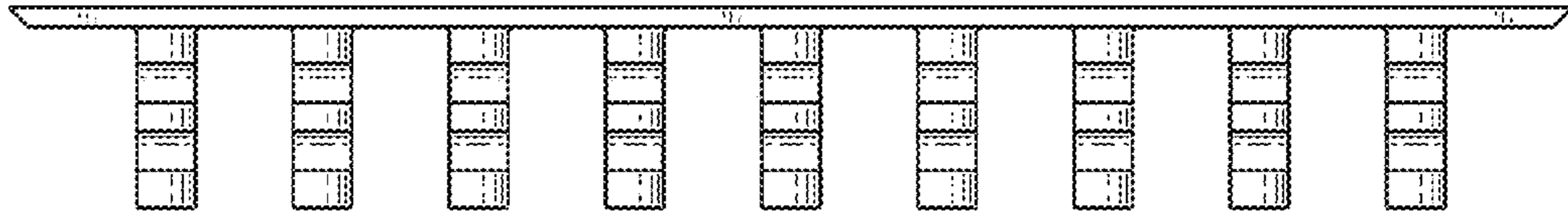
*Fig. 1*



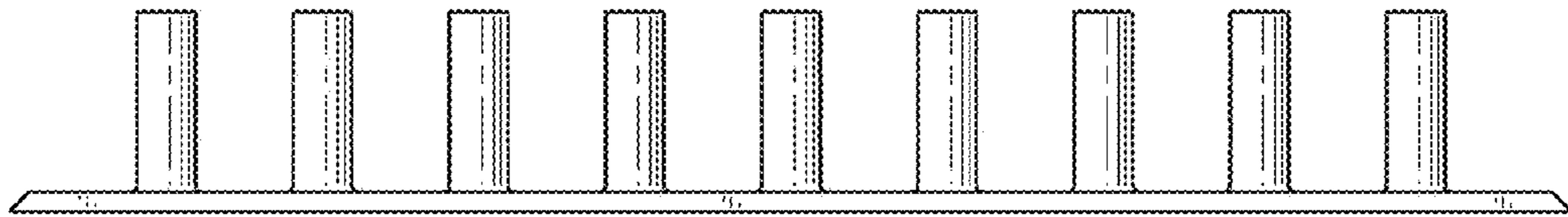
*Fig. 2*



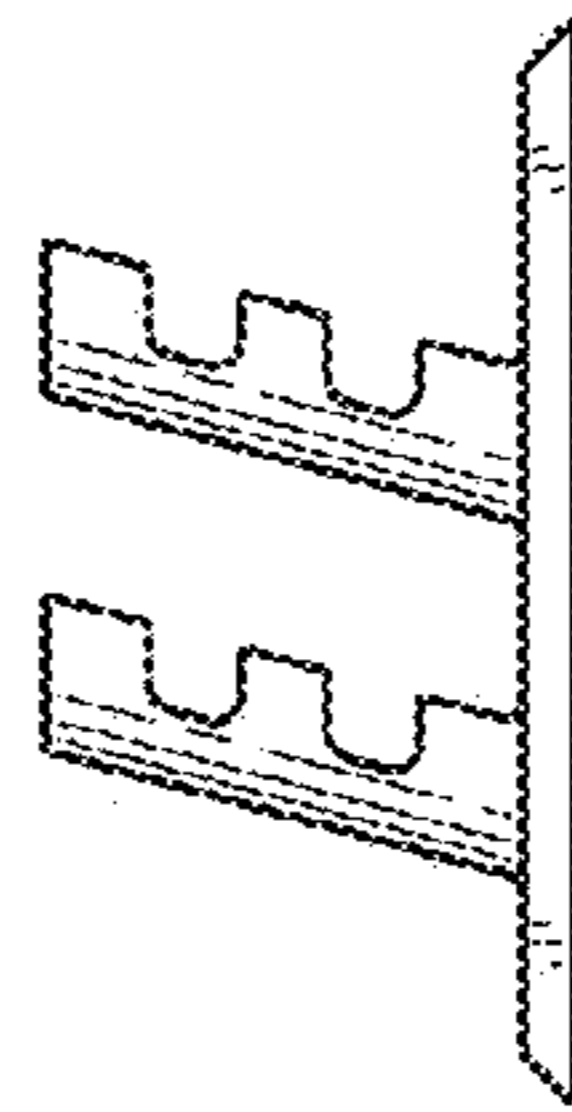
*Fig. 3*



*Fig. 4*



*Fig. 5*



*Fig. 6*