



US00D751369S

(12) **United States Design Patent**  
**Baldoni et al.**

(10) **Patent No.:** **US D751,369 S**  
(45) **Date of Patent:** **\*\* Mar. 15, 2016**

(54) **REINFORCEMENT SUPPORT MEMBER**

(71) Applicant: **Concrete Countertop Solutions, Inc.**,  
Clarks Summit, PA (US)

(72) Inventors: **Edwin Joseph Baldoni**, Union Dale, PA  
(US); **Dario Joseph Baldoni**, Boston,  
MA (US)

(73) Assignee: **CONCRETE COUNTERTOP  
SOLUTIONS, INC.**, Clarks Summit, PA  
(US)

(\*\*) Term: **15 Years**

(21) Appl. No.: **29/534,983**

(22) Filed: **Aug. 3, 2015**

**Related U.S. Application Data**

(63) Continuation of application No. 29/470,807, filed on  
Oct. 25, 2013, now Pat. No. Des. 738,194.

(51) **LOC (10) Cl.** ..... **08-05**

(52) **U.S. Cl.**

USPC ..... **D8/354**; D8/380

(58) **Field of Classification Search**

USPC ..... D8/354, 349, 380, 384; D25/199;  
248/440; 52/677, 678, 679, 682, 684,  
52/685, 686, 687, 745.21, 688, 689, 637,  
52/649.1, 683, 633, 646, 649.8, 649.3,  
52/645, 680; 404/134, 135, 136

CPC ..... E04C 5/16; E04C 5/162; E04C 5/166;  
E04C 5/168; E04C 5/18

See application file for complete search history.

(56) **References Cited**

**U.S. PATENT DOCUMENTS**

4,060,954 A 12/1977 Liuzza  
4,594,205 A 6/1986 Wunderlich, Jr. et al.  
4,655,023 A 4/1987 Yung

5,107,654 A 4/1992 Leonardis  
D334,133 S 3/1993 Hartzheim  
D388,312 S 12/1997 Sorkin  
5,729,949 A 3/1998 Hartzheim  
D394,200 S 5/1998 Hartzheim  
6,089,522 A 7/2000 Haslem et al.  
6,092,960 A 7/2000 McCallion

(Continued)

**OTHER PUBLICATIONS**

Lowes; Shop Plastic Rebar Chair at Lowes.com; [http://www.lowes.com/pd\\_211658-46086-105247\\_0\\_?productId=3363670](http://www.lowes.com/pd_211658-46086-105247_0_?productId=3363670); 1 page; downloaded from the internet Oct. 16, 2013.

(Continued)

*Primary Examiner* — Mark Goodwin

(74) *Attorney, Agent, or Firm* — Morgan, Lewis & Bockius LLP

(57)

**CLAIM**

The ornamental design for a reinforcement support member, as shown and described.

**DESCRIPTION**

FIG. 1 is a front perspective view of a reinforcement support member showing our new design;

FIG. 2 is a front elevational view of the reinforcement support member shown in FIG. 1, the rear elevational view being the same;

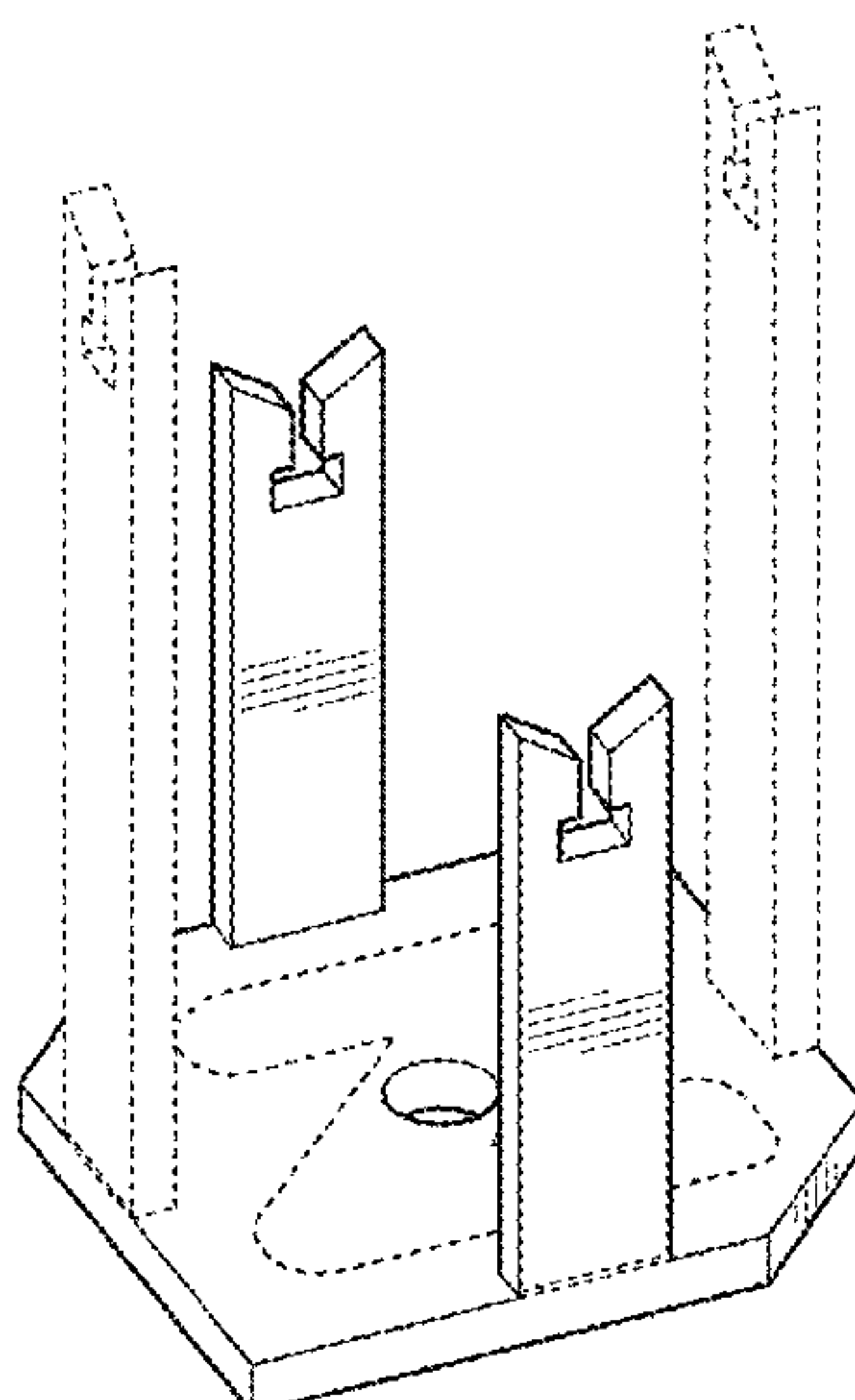
FIG. 3 is a left-side elevational view of the reinforcement support member shown in FIG. 1, the right-side elevational view being the same;

FIG. 4 is a top plan view of the reinforcement support member shown in FIG. 1; and,

FIG. 5 is a bottom plan view of the reinforcement support member shown in FIG. 1.

The broken lines shown in the drawings represent portions of the reinforcement support member that form no part of the claimed design.

**1 Claim, 2 Drawing Sheets**



(56)

**References Cited**

U.S. PATENT DOCUMENTS

6,354,054 B1 3/2002 Verelli et al.  
D491,443 S 6/2004 Lowery  
D500,668 S 1/2005 Kelly et al.  
6,837,017 B2 1/2005 Hardy, Jr. et al.  
6,883,289 B2 4/2005 Juedes et al.  
7,237,367 B1 7/2007 Sorkin  
D548,053 S 8/2007 Erickson et al.  
D548,055 S 8/2007 Erickson et al.  
D548,056 S 8/2007 Erickson et al.  
7,278,613 B2 10/2007 Roy  
7,328,538 B2 2/2008 Trangsrud  
D578,379 S 10/2008 Sorkin  
D578,870 S 10/2008 Sorkin  
7,451,580 B2 11/2008 Kelly et al.  
D594,737 S 6/2009 Kelly et al.  
D597,402 S 8/2009 Garza  
D618,988 S 7/2010 Peterson  
7,845,136 B1 12/2010 Sorkin

7,870,702 B2 1/2011 McKay  
8,028,490 B2 10/2011 Kelly et al.  
D650,655 S 12/2011 Wester  
D719,817 S 12/2014 Perry et al.  
2007/0157542 A1 7/2007 Peterson, Jr.  
2008/0028717 A1 2/2008 Sorkin  
2011/0214381 A1 9/2011 Alfonso

OTHER PUBLICATIONS

Alibaba; Plastic Rebar Chair Spacer; [http://www.alibaba.com/product-gs/230601864/Plastic\\_rebar\\_chair\\_spacer\\_plastic\\_rebar.html](http://www.alibaba.com/product-gs/230601864/Plastic_rebar_chair_spacer_plastic_rebar.html); 2 pages; downloaded from the internet Oct. 16, 2013.  
RebarPlastics; Plastic Rebar Accessories; <http://www.rebarplastics.com/>; 2 pages; downloaded from the internet Oct. 16, 2013.  
Alibaba; Plastic Rebar Chair; <http://www.alibaba.com/showroom/plastic-rebar-chair.html>; 7 pages; downloaded from the internet Oct. 16, 2013.  
Concrete Protection Products, Inc.; Product Guide Specification; <http://www.fiberglassrebar.com/VROD%20CSI%20spec.pdf>; 5 pages; downloaded from the internet Oct. 16, 2013.

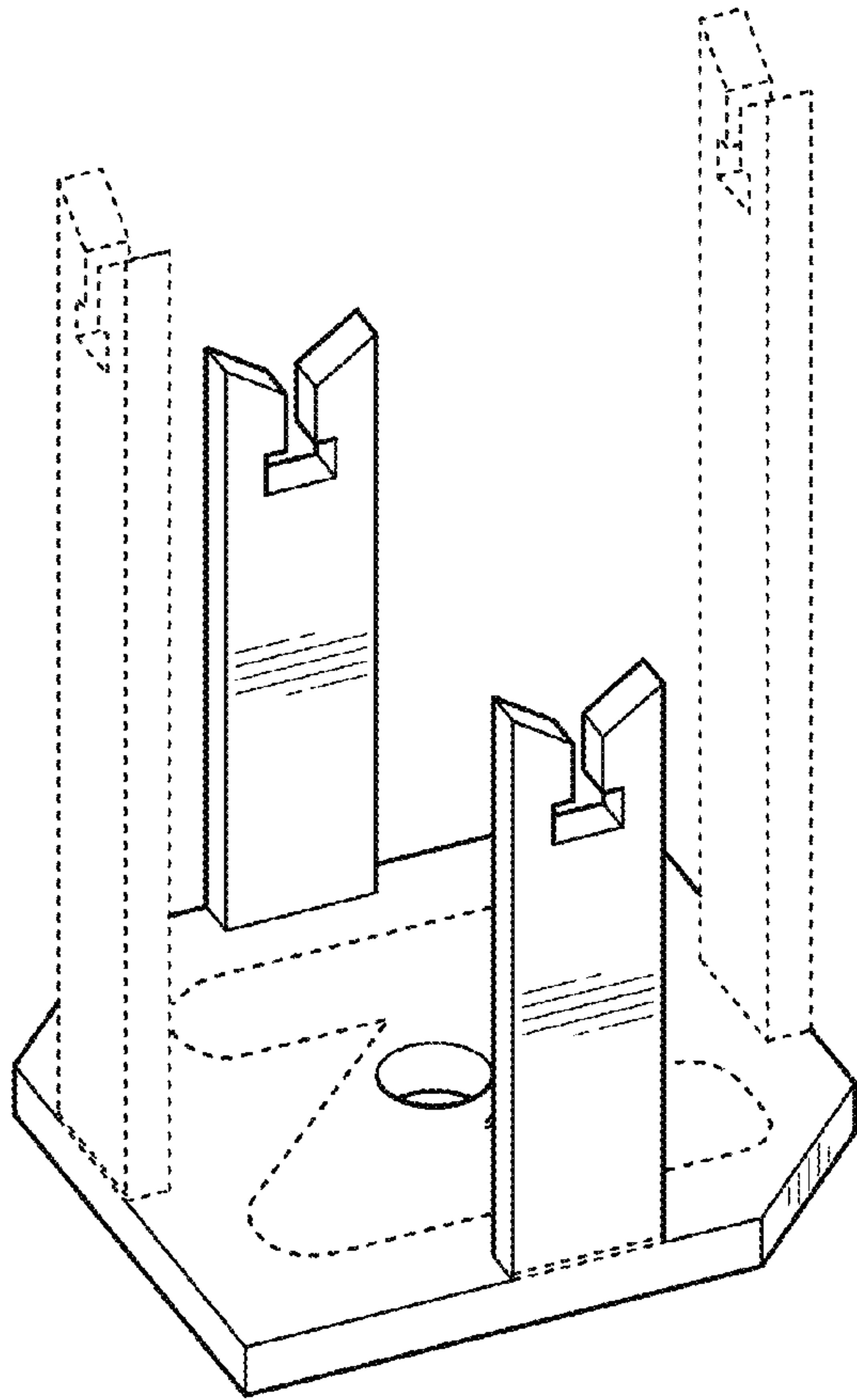


FIG. 1

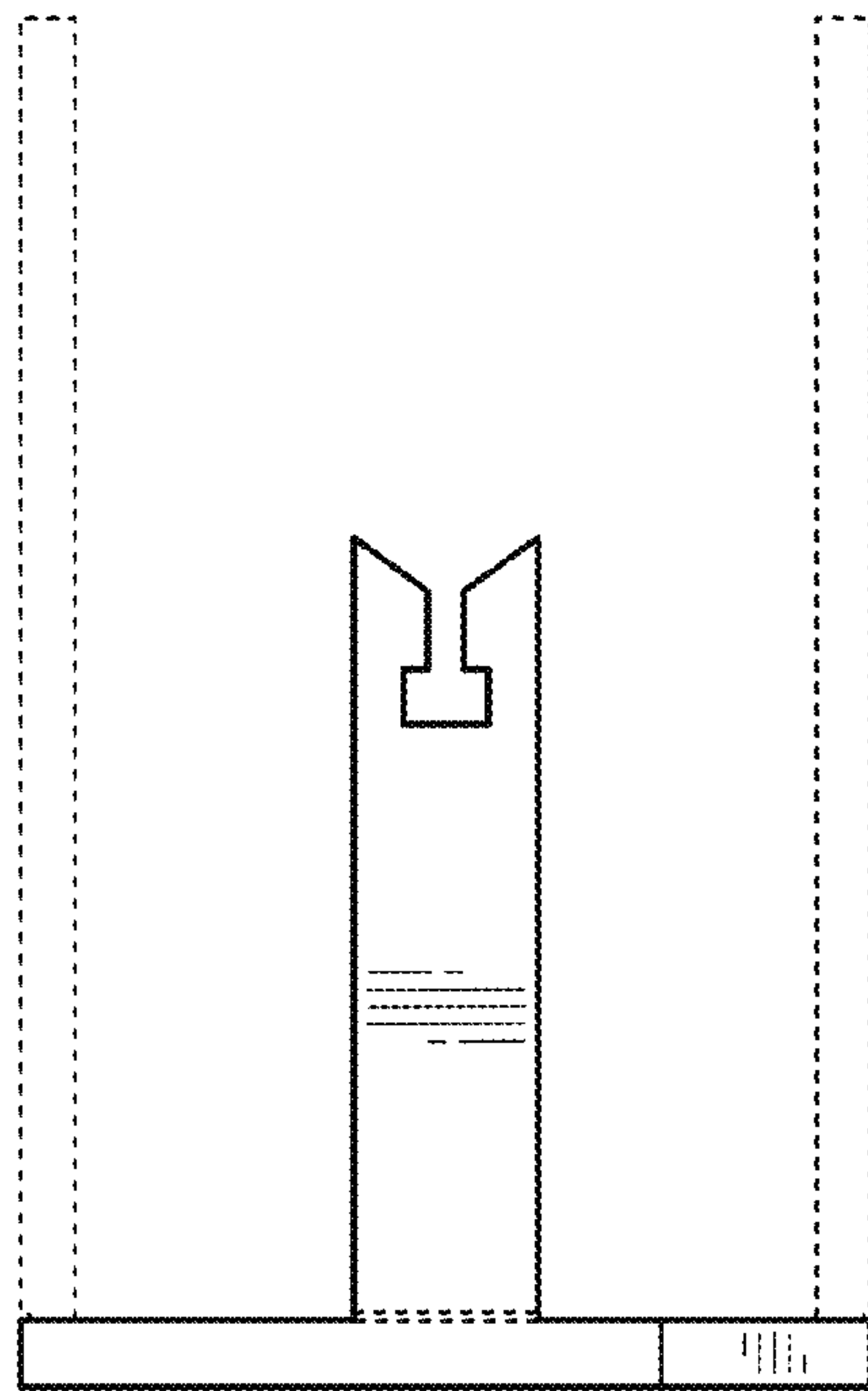


FIG. 2

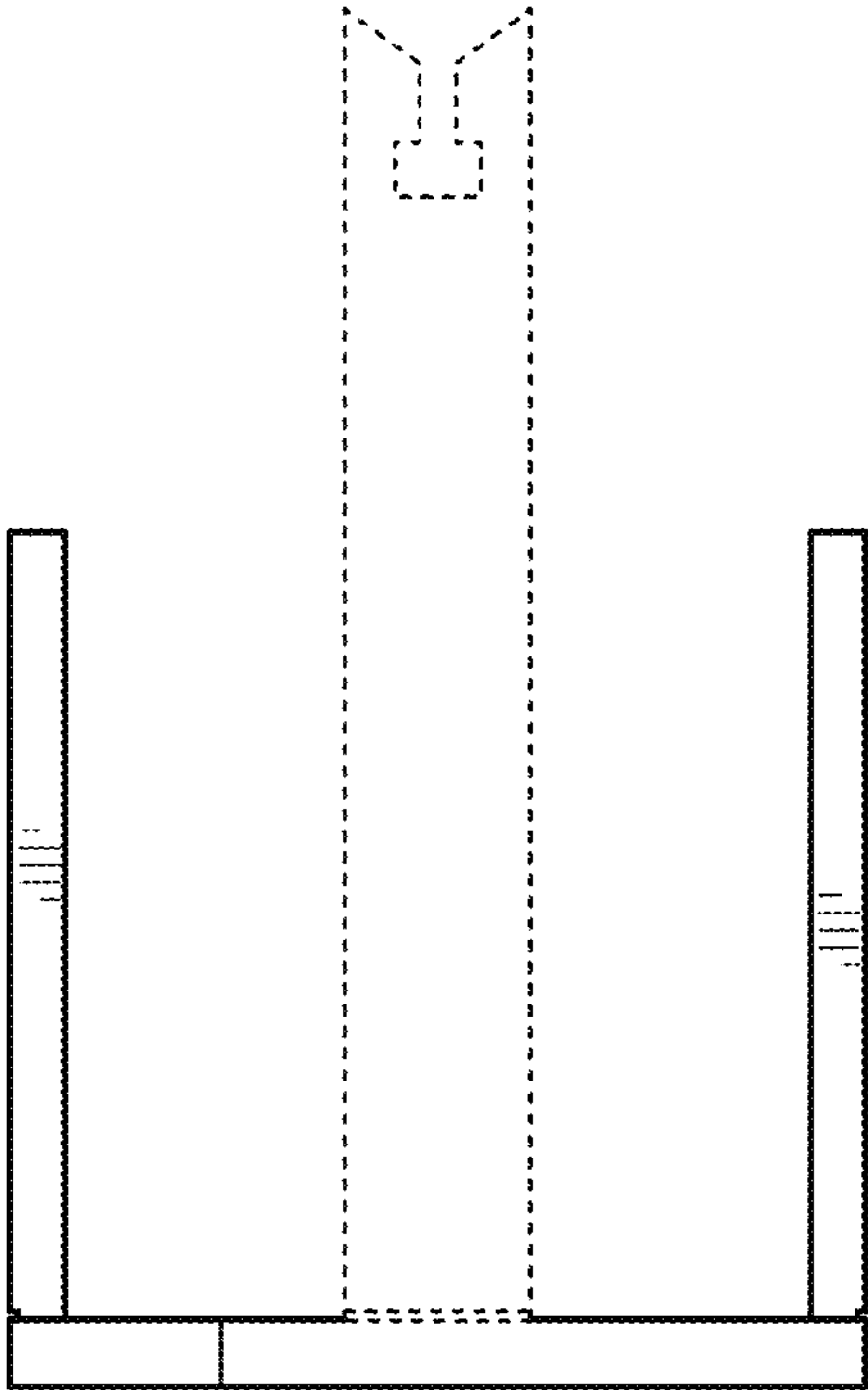


FIG. 3

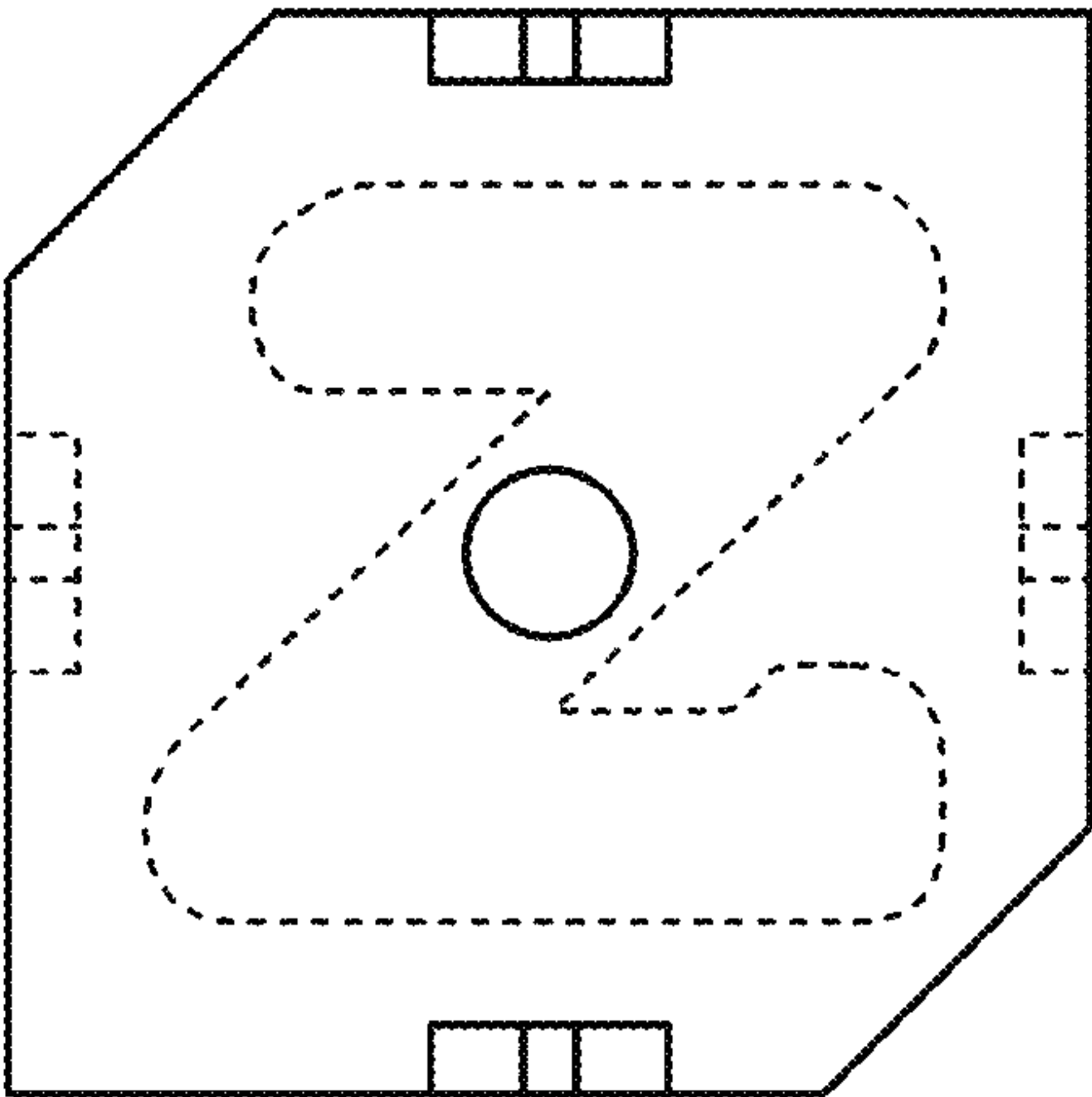


FIG. 4

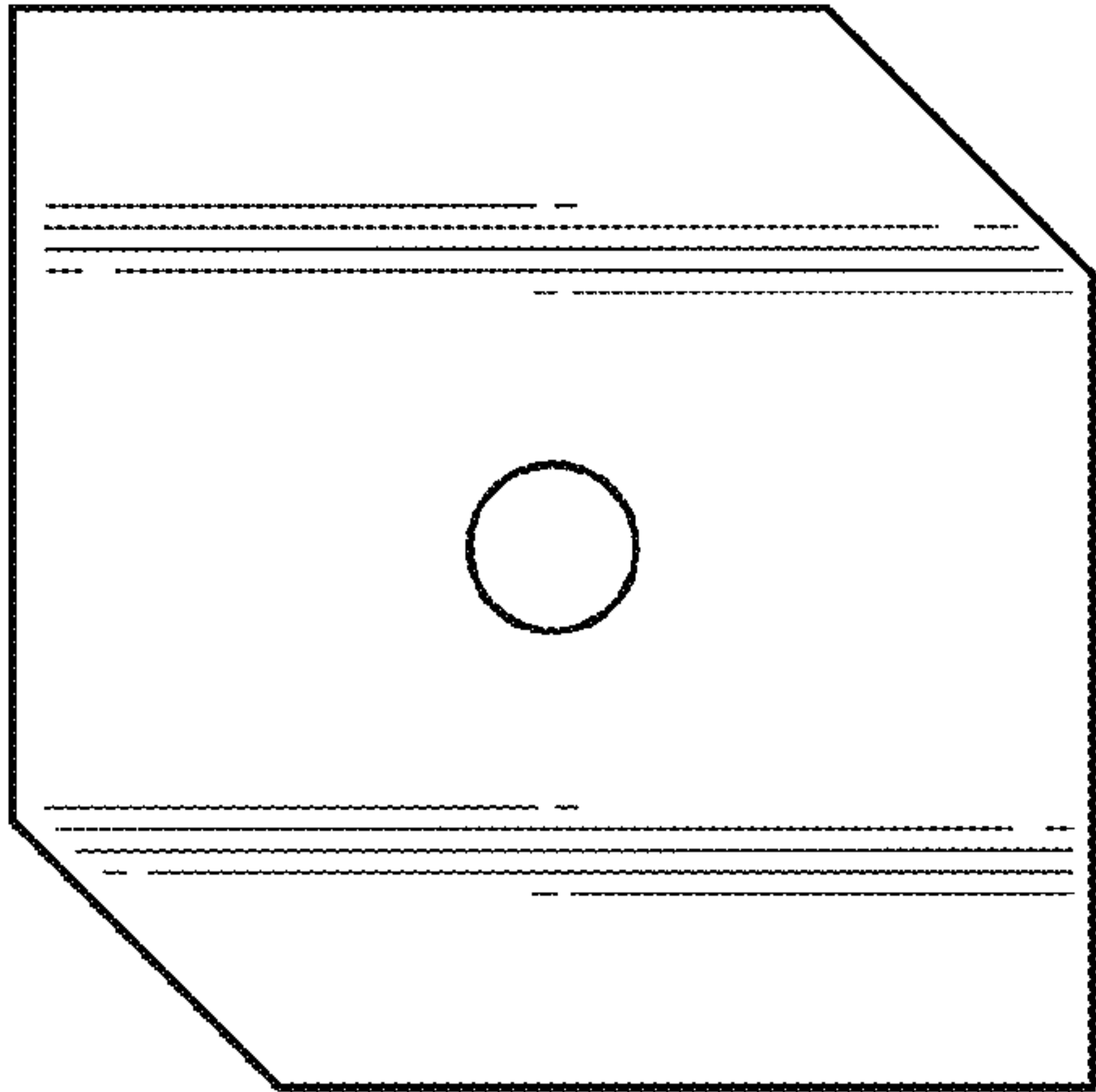


FIG. 5