



US00D751368S

(12) **United States Design Patent**
Alley

(10) **Patent No.:** **US D751,368 S**
(45) **Date of Patent:** **** Mar. 15, 2016**

- (54) **Z-SHAPED PAWL**
- (71) Applicant: **Profile Racing, Inc.**, St. Petersburg, FL (US)
- (72) Inventor: **Corey Alley**, Madeira Beach, FL (US)
- (**) Term: **14 Years**
- (21) Appl. No.: **29/513,301**
- (22) Filed: **Dec. 30, 2014**
- (51) **LOC (10) Cl.** **08-07**
- (52) **U.S. Cl.**
USPC **D8/343**; D8/331; D8/342
- (58) **Field of Classification Search**
USPC D8/330, 331, 333, 336, 343, 346, 349, D8/302; 70/14, 20, 2, 51-56, 57, 57.1, 70/141, 142, 224, 237, 266, 431, DIG. 9, 70/DIG. 4, DIG. 26, DIG. 80, 159, 162, 70/116, 208, 209, 221; 292/2, 32, 281, 292/288, 289, 358, 359, DIG. 5, 48, 198, 292/240, 217, 210, 216, DIG. 22, DIG. 37, 292/DIG. 43, 61, 101, 108
CPC E05B 85/26; E05B 77/01; E05B 77/10; E05B 83/16; B60N 2/12; B60N 2/20; E05C 3/06; E05C 3/16
See application file for complete search history.

- 5,831,200 A * 11/1998 Fisch F42B 15/00 89/1.819
- D439,497 S * 3/2001 Clark D8/331
- 6,386,599 B1 * 5/2002 Chevalier E05B 81/14 292/201
- 6,722,739 B2 * 4/2004 Klein B60N 2/2352 297/367 R
- D503,328 S * 3/2005 Catlett D8/342
- D556,539 S * 12/2007 Kiraly D8/331
- D562,670 S * 2/2008 Rogers D21/694
- D665,244 S * 8/2012 Weirnerman D8/330
- D712,233 S * 9/2014 Pittman D8/331
- D732,370 S * 6/2015 Pittman D8/330
- 9,151,092 B2 * 10/2015 Scholz E05B 85/26

* cited by examiner

Primary Examiner — Prabhakar Deshmukh
(74) *Attorney, Agent, or Firm* — Maxey Law Offices, PLLC; Stephen Lewellyn

(57) **CLAIM**

The ornamental design for a Z-shaped pawl, as shown and described.

DESCRIPTION

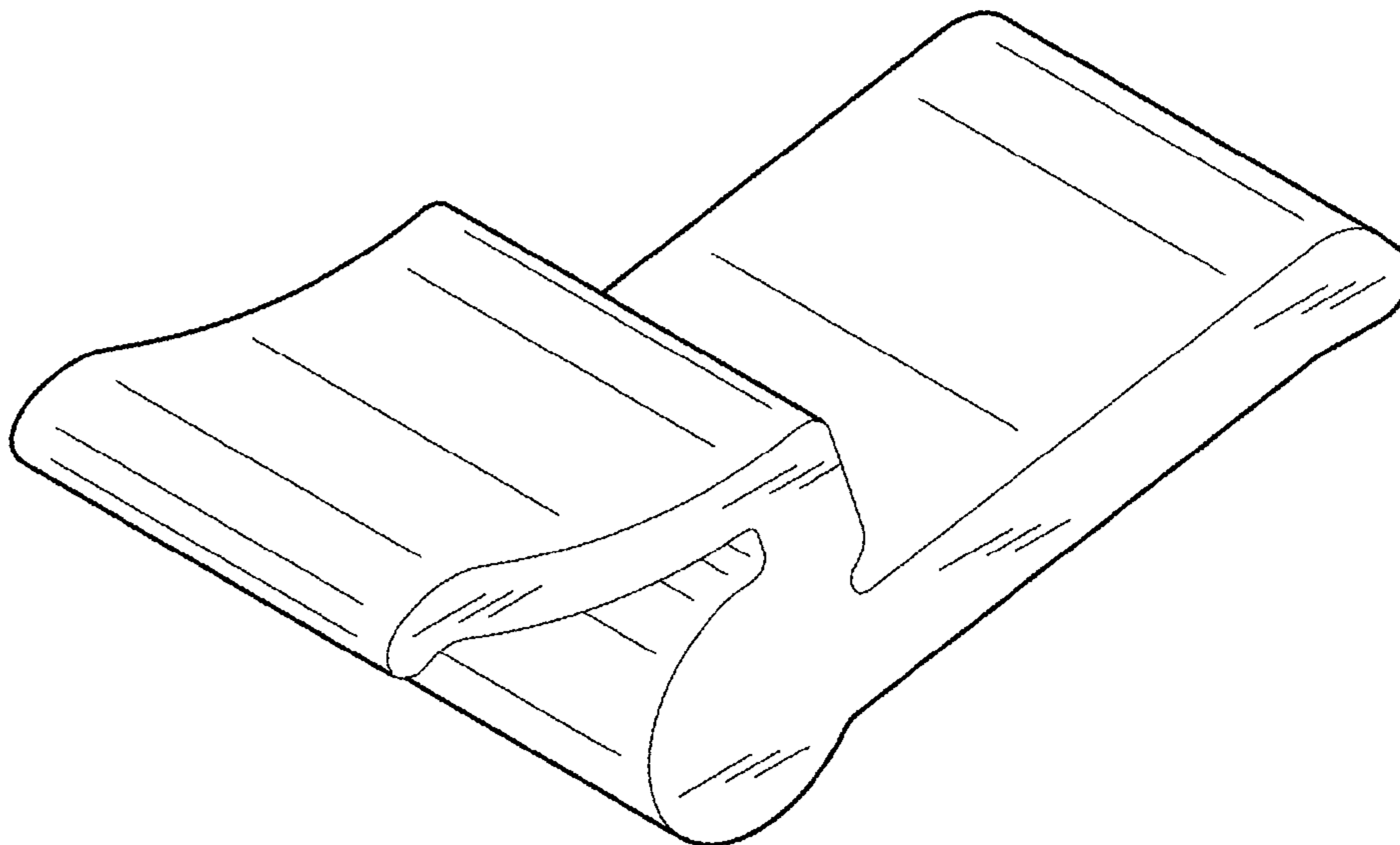
FIG. 1 is a front perspective view of a Z-shaped pawl showing my new design;
FIG. 2 is a rear perspective view thereof;
FIG. 3 is a top plan view thereof;
FIG. 4 is a right side elevational view thereof, the left side elevational view being a mirror image thereof;
FIG. 5 is a bottom plan view thereof;
FIG. 6 is a front elevational view thereof; and,
FIG. 7 is a rear elevational view thereof.

1 Claim, 4 Drawing Sheets

(56) **References Cited**

U.S. PATENT DOCUMENTS

- D229,479 S * 12/1973 Borsani D8/336
- 5,540,117 A * 7/1996 Hansel B60N 2/20 297/367 R



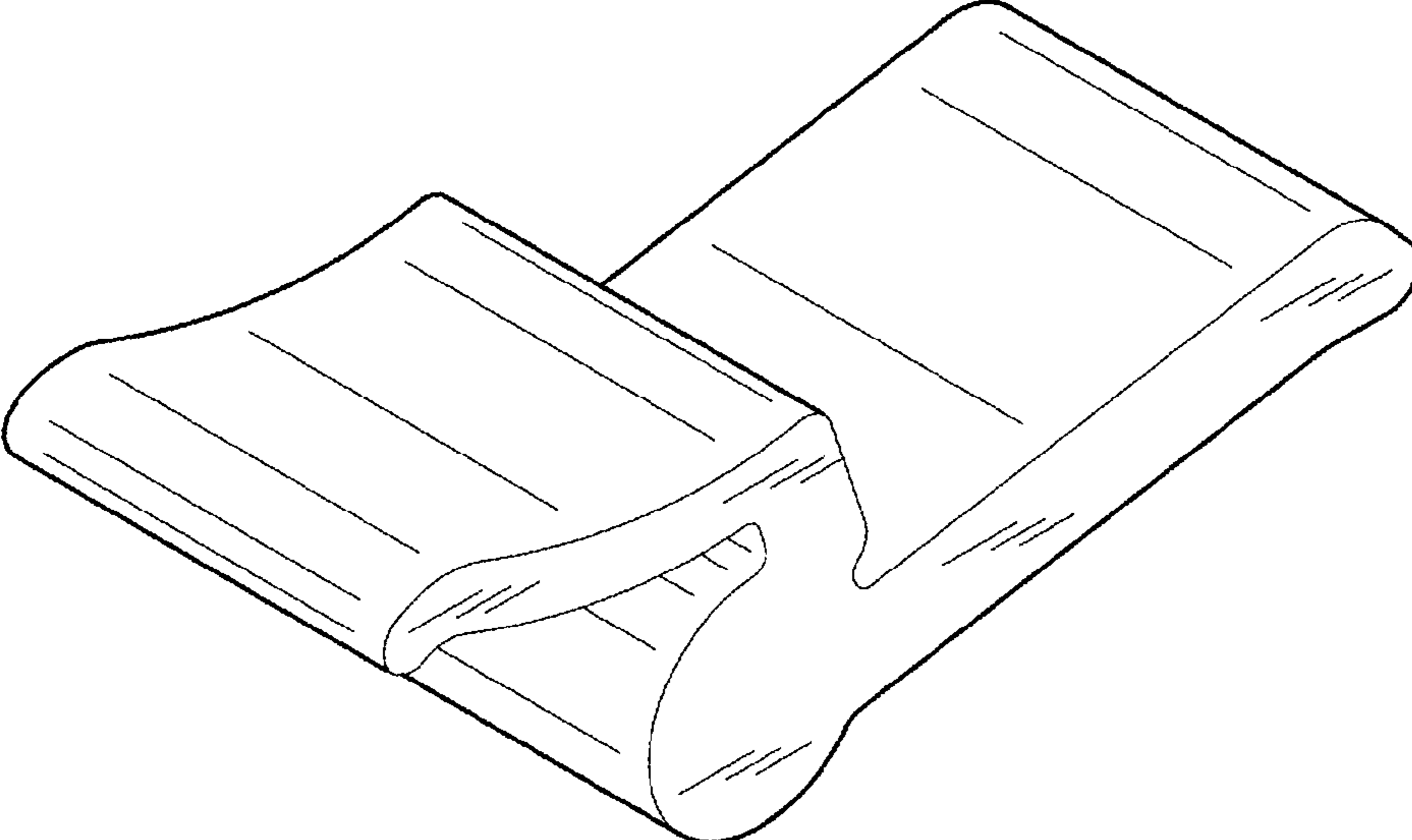


FIG. 1

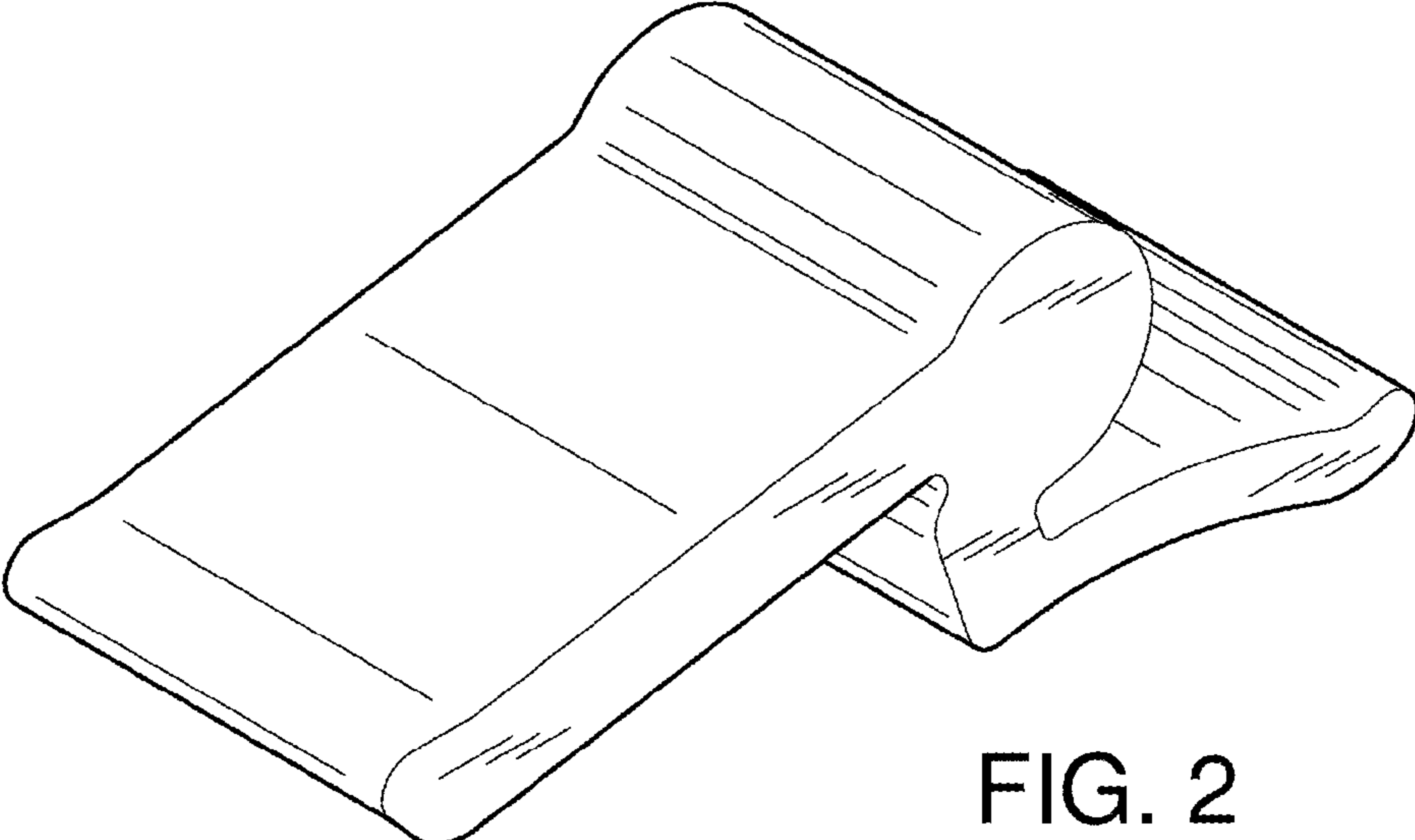


FIG. 2

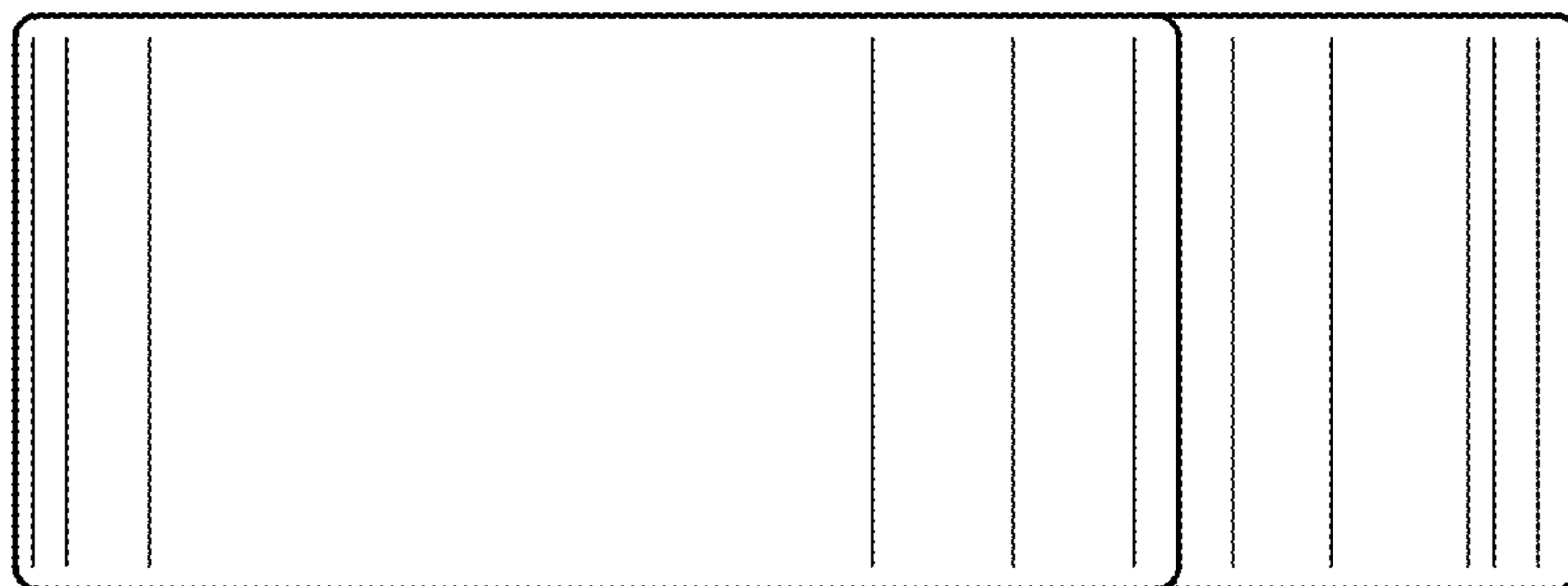


FIG. 3

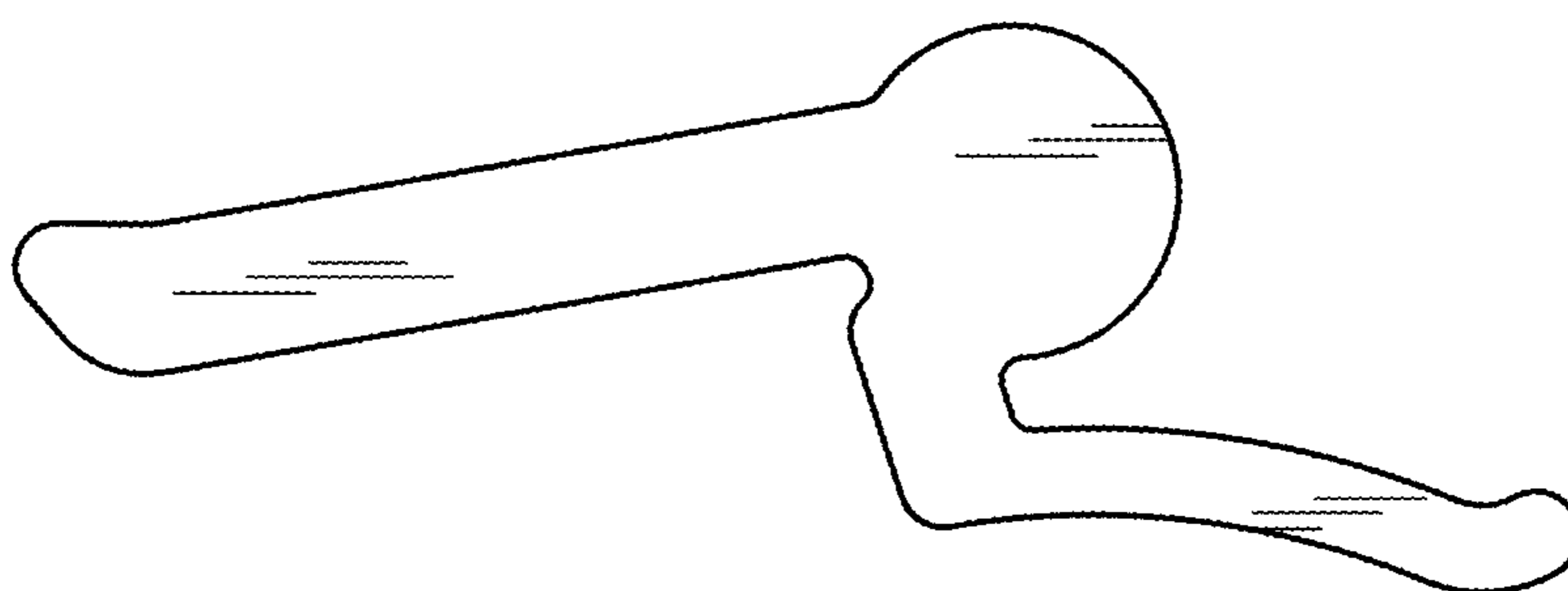


FIG. 4

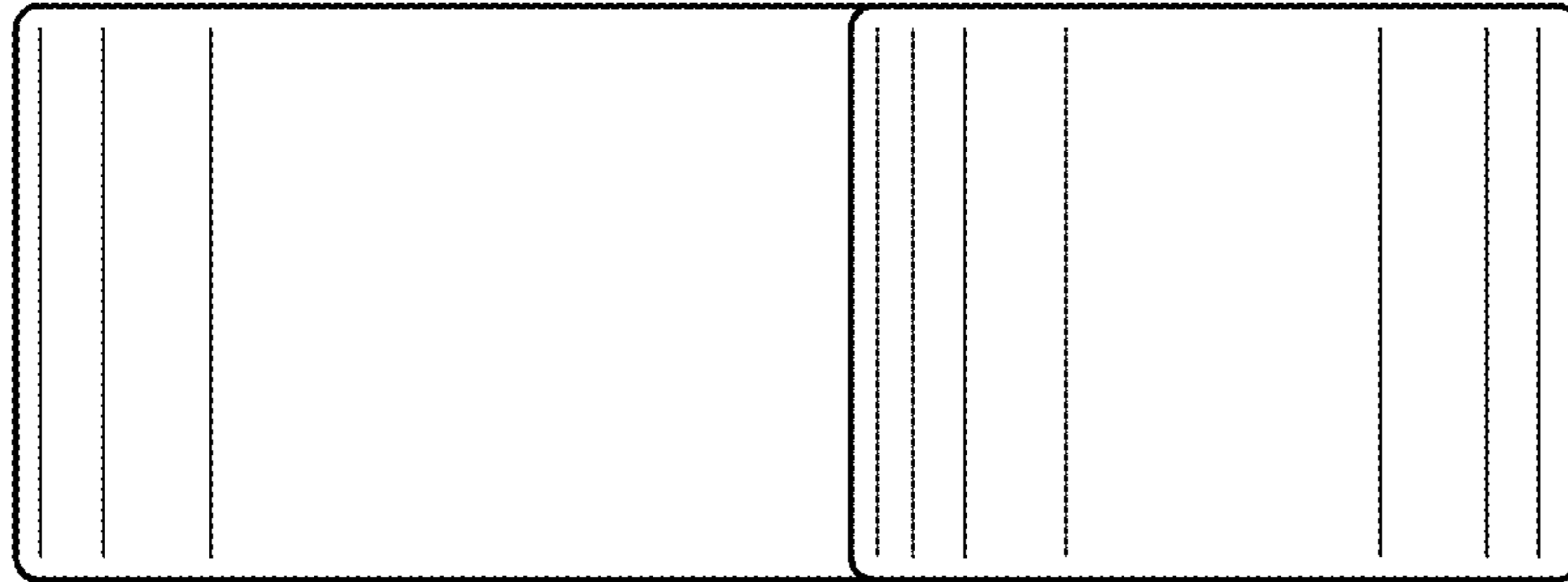


FIG. 5

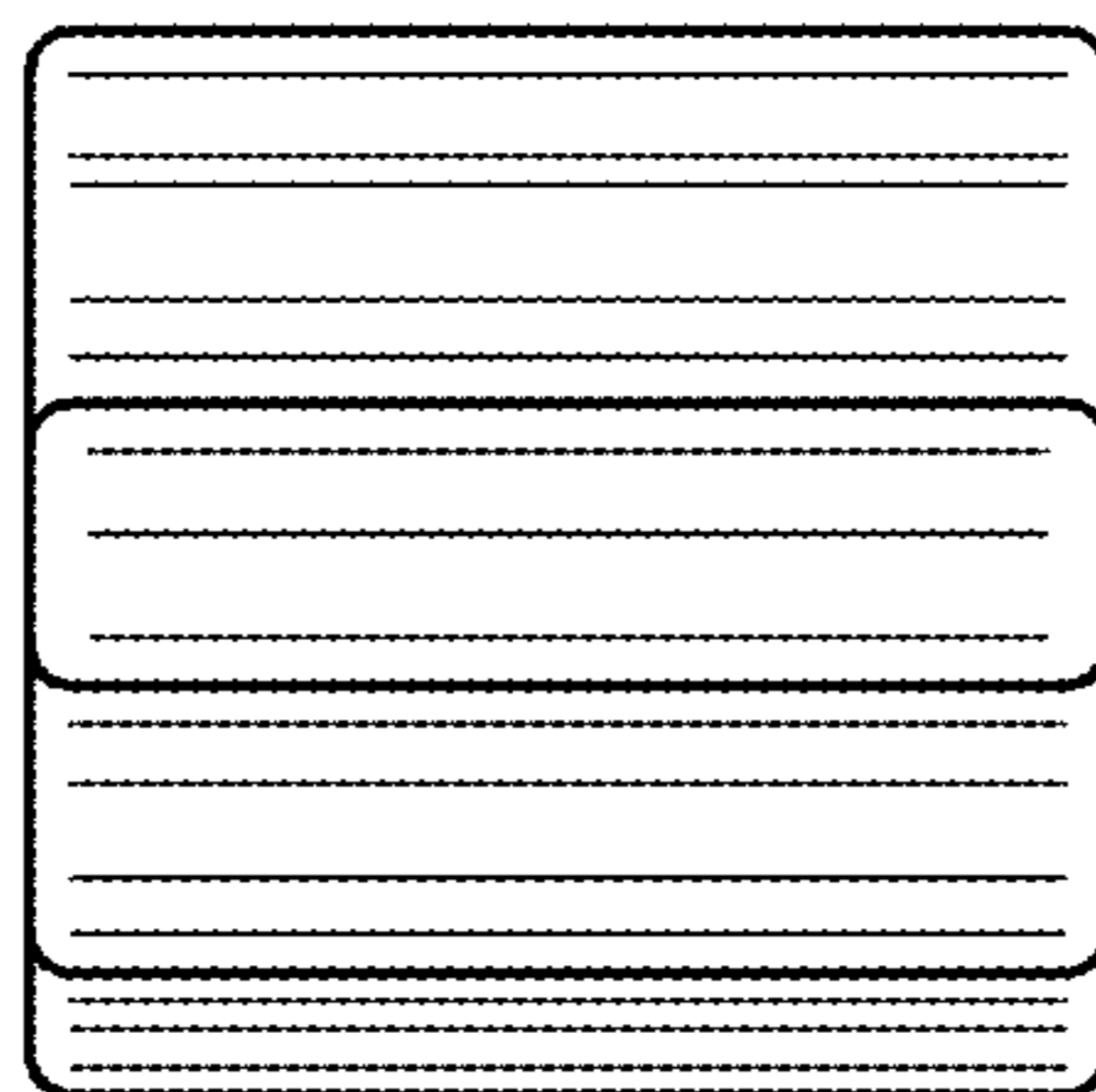


FIG. 6

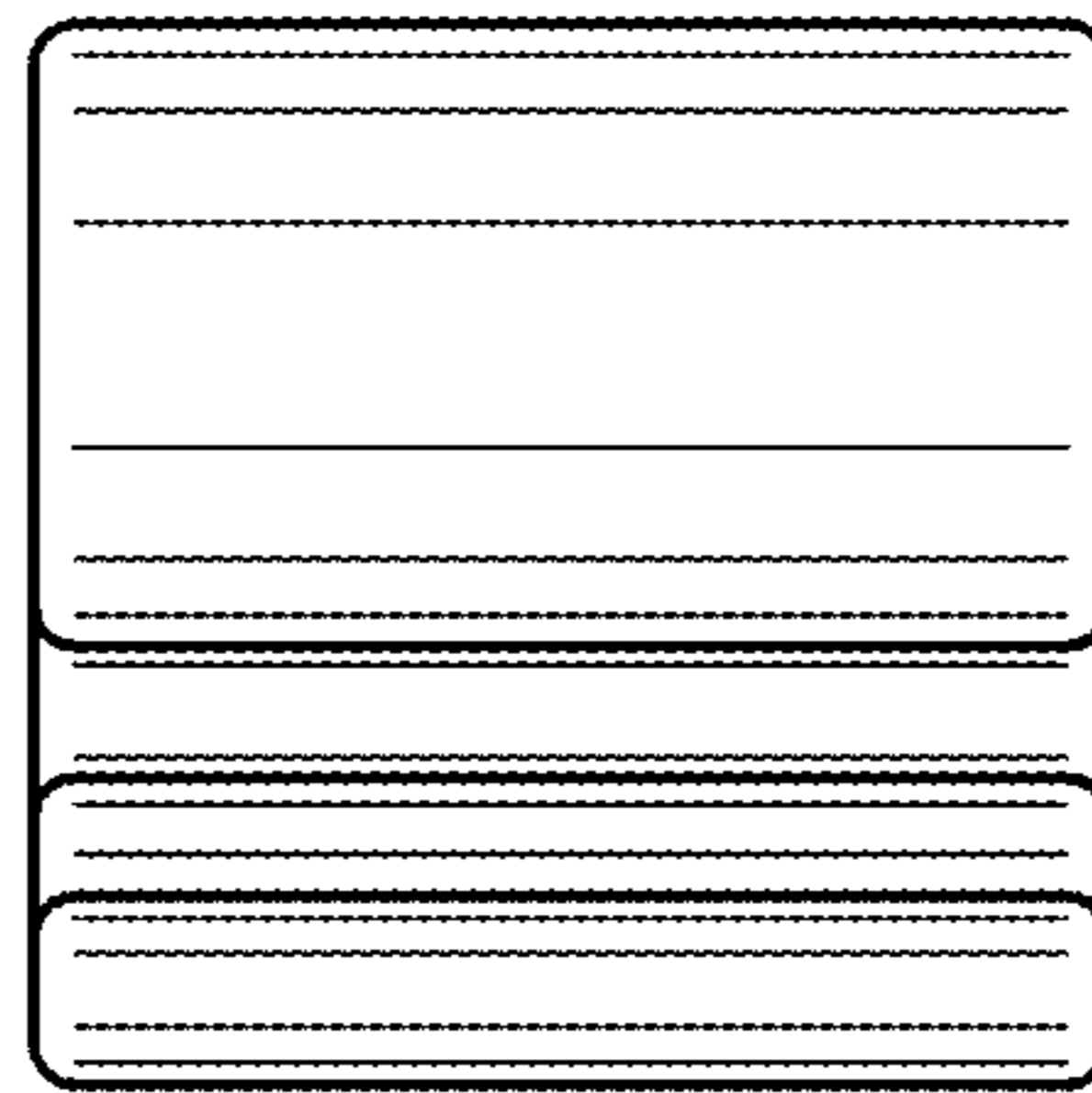


FIG. 7