



US00D751367S

(12) **United States Design Patent**
Mirick et al.

(10) **Patent No.:** **US D751,367 S**
(45) **Date of Patent:** **** Mar. 15, 2016**

- (54) **RV SCREEN DOOR LATCH**
- (71) Applicant: **S.P.E.P. ACQUISITION CORP.**, Long Beach, CA (US)
- (72) Inventors: **Larry T. Mirick**, Manhattan Beach, CA (US); **Thomas Aispuro**, Bellflower, CA (US)
- (73) Assignee: **S.P.E.P. ACQUISITION CORP.**, Long Beach, CA (US)

3,463,530 A * 8/1969 Modes E05C 3/14
292/108
D294,454 S * 3/1988 Loudenslager D8/339

(Continued)

Primary Examiner — Prabhakar Deshmukh
(74) *Attorney, Agent, or Firm* — Karish & Bjorgum, PC

(57) **CLAIM**
The ornamental design for RV screen door latch, as shown and described.

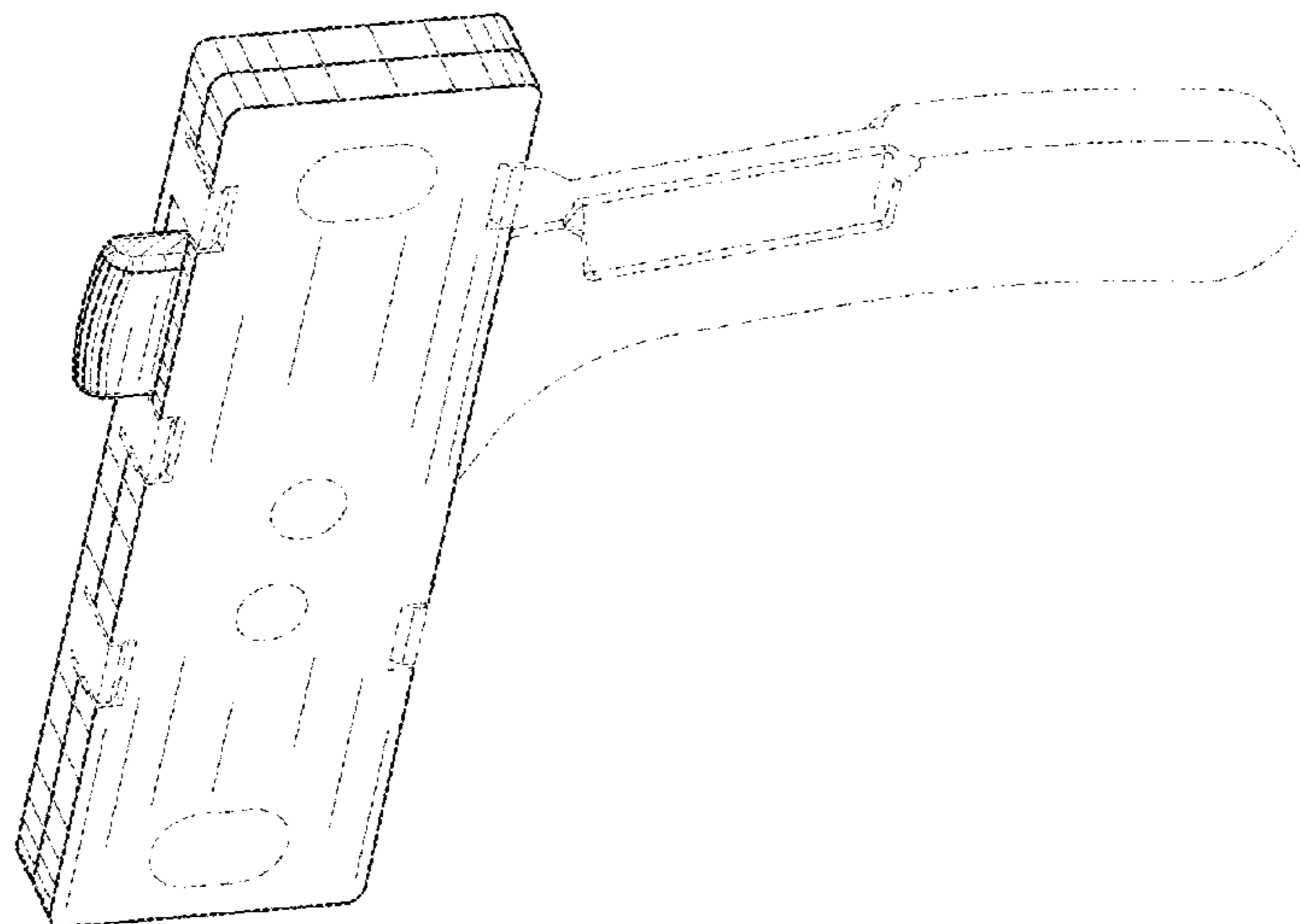
DESCRIPTION

- (**) Term: **14 Years**
- (21) Appl. No.: **29/508,259**
- (22) Filed: **Nov. 4, 2014**
- (51) **LOC (10) Cl.** **08-07**
- (52) **U.S. Cl.**
USPC **D8/331**
- (58) **Field of Classification Search**
USPC D8/330, 331, 339–342, 349, 367, 400;
70/14, 19, 57, 57.1, 58, 51, 52, 199,
70/237, 240, 431, 288, 94, 99; 292/92,
292/339, 259 R, 259 A, 57, 262, 273, 305,
292/306, DIG. 47, DIG. 55, DIG. 60; 49/57,
49/61, 62, 303, 463–466
CPC E05B 17/00; E05B 3/00; E05B 9/02;
E05C 1/16; E05C 3/12; E05C 3/14; E05C
19/16; A47G 5/00; A47G 5/02
See application file for complete search history.

FIG. 1 is a front top perspective view of a RV screen door latch showing our new design, with the bolt shown in extended position;
FIG. 2 is a front view of the RV screen door latch of FIG. 1.
FIG. 3 is a left side view of the RV screen door latch of FIG. 1.
FIG. 4 is a right side view of the RV screen door latch of FIG. 1.
FIG. 5 is a rear view of the RV screen door latch of FIG. 1.
FIG. 6 is a top view of the RV screen door latch of FIG. 1.
FIG. 7 is a bottom view of the RV screen door latch of FIG. 1.
FIG. 8 is a front top perspective view of a RV screen door latch, with the bolt shown in retracted position;
FIG. 9 is a front view of the RV screen door latch of FIG. 8.
FIG. 10 is a left side view of the RV screen door latch of FIG. 8.
FIG. 11 is a right side view of the RV screen door latch of FIG. 8.
FIG. 12 is a rear view of the RV screen door latch of FIG. 8.
FIG. 13 is a top view of the RV screen door latch of FIG. 8;
and,
FIG. 14 is a bottom view of the RV screen door latch of FIG. 8.
The dashed lines indicate unclaimed portions and form no part of the claimed design.

- (56) **References Cited**
U.S. PATENT DOCUMENTS
2,391,736 A * 12/1945 Oxhandler E05C 1/163
292/169.19
2,673,109 A * 3/1954 Frost E05C 1/16
292/150

1 Claim, 6 Drawing Sheets



US D751,367 S

Page 2

(56)

References Cited

U.S. PATENT DOCUMENTS

D317,857 S * 7/1991 Westphal D8/339
D348,211 S * 6/1994 Crocker, III D8/339
6,009,932 A * 1/2000 Smith E05B 7/00
160/180

D452,810 S * 1/2002 Anderson D8/339
7,198,090 B1 * 4/2007 Kershaw E06B 9/52
16/DIG. 24
7,331,369 B2 * 2/2008 Cordova E05C 19/16
160/122
D710,183 S * 8/2014 Huddleston D8/339
D719,436 S * 12/2014 Roggero D8/330

* cited by examiner

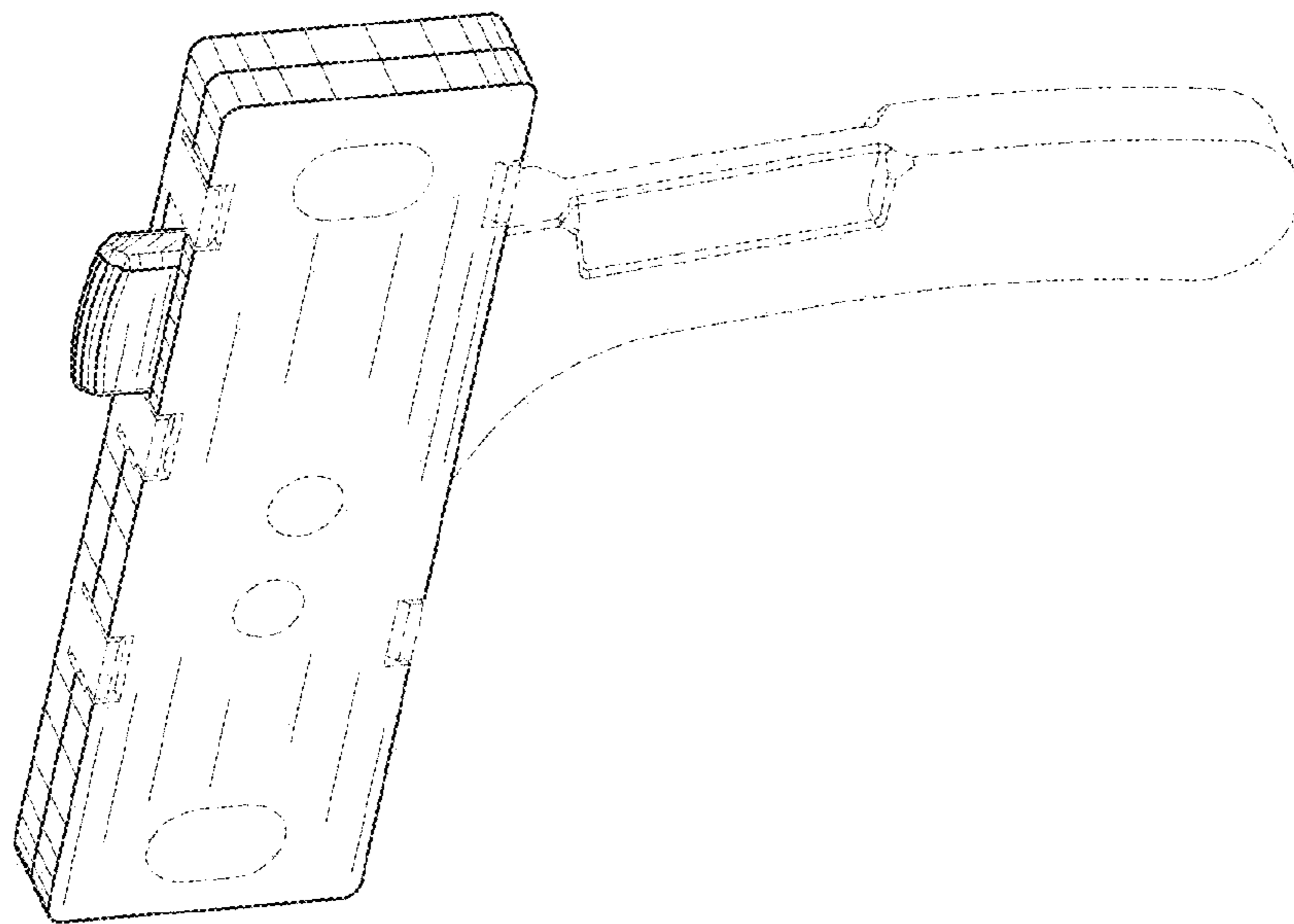


FIG. 1

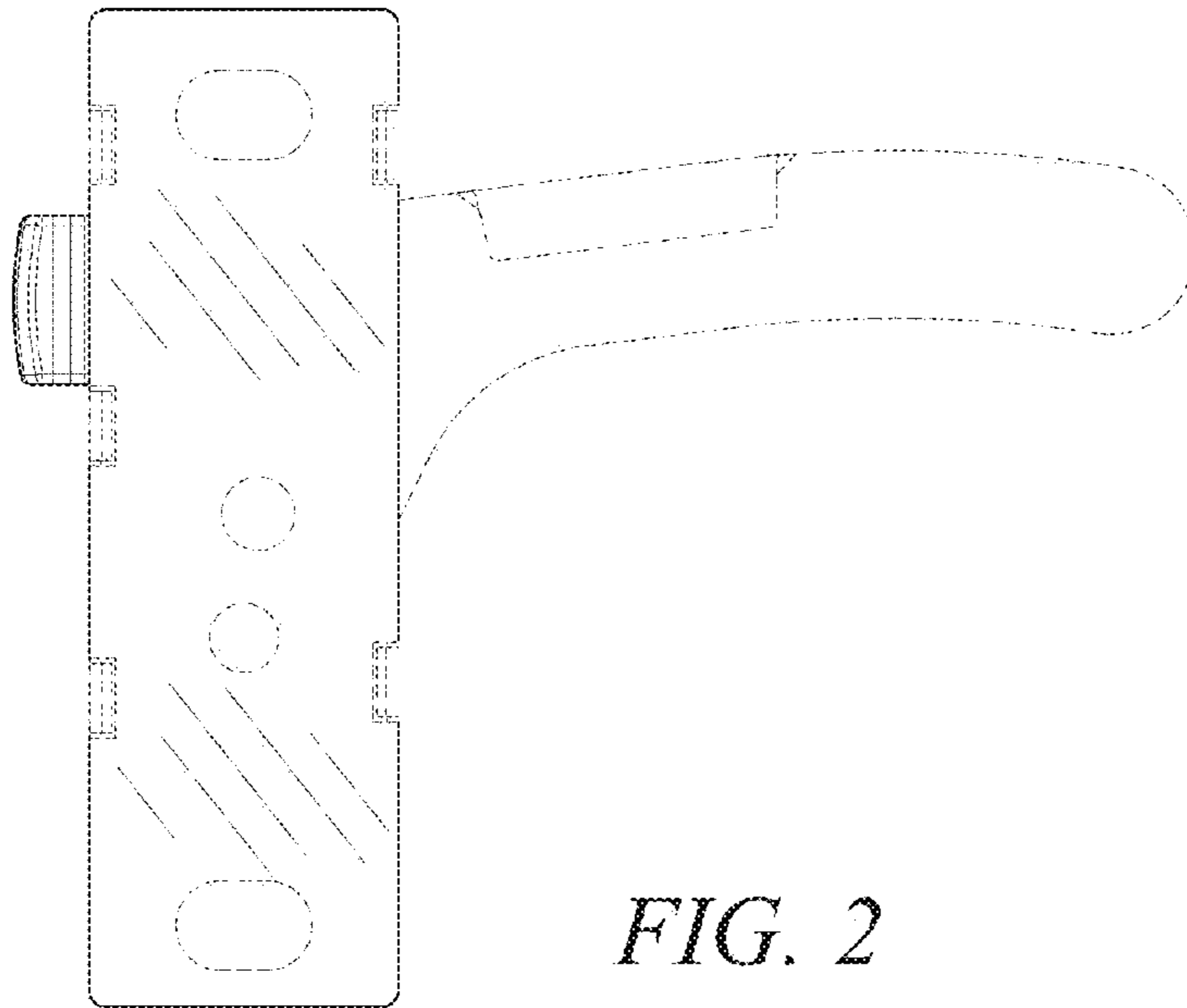


FIG. 2

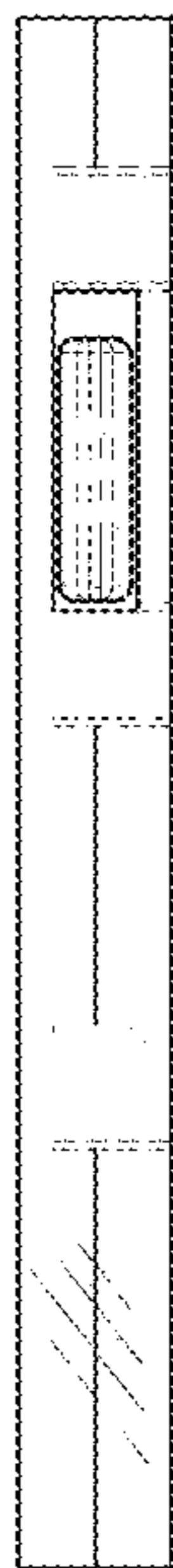


FIG. 3



FIG. 4

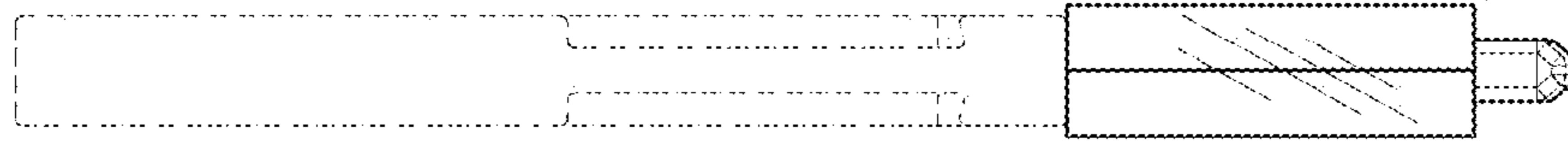


FIG. 6

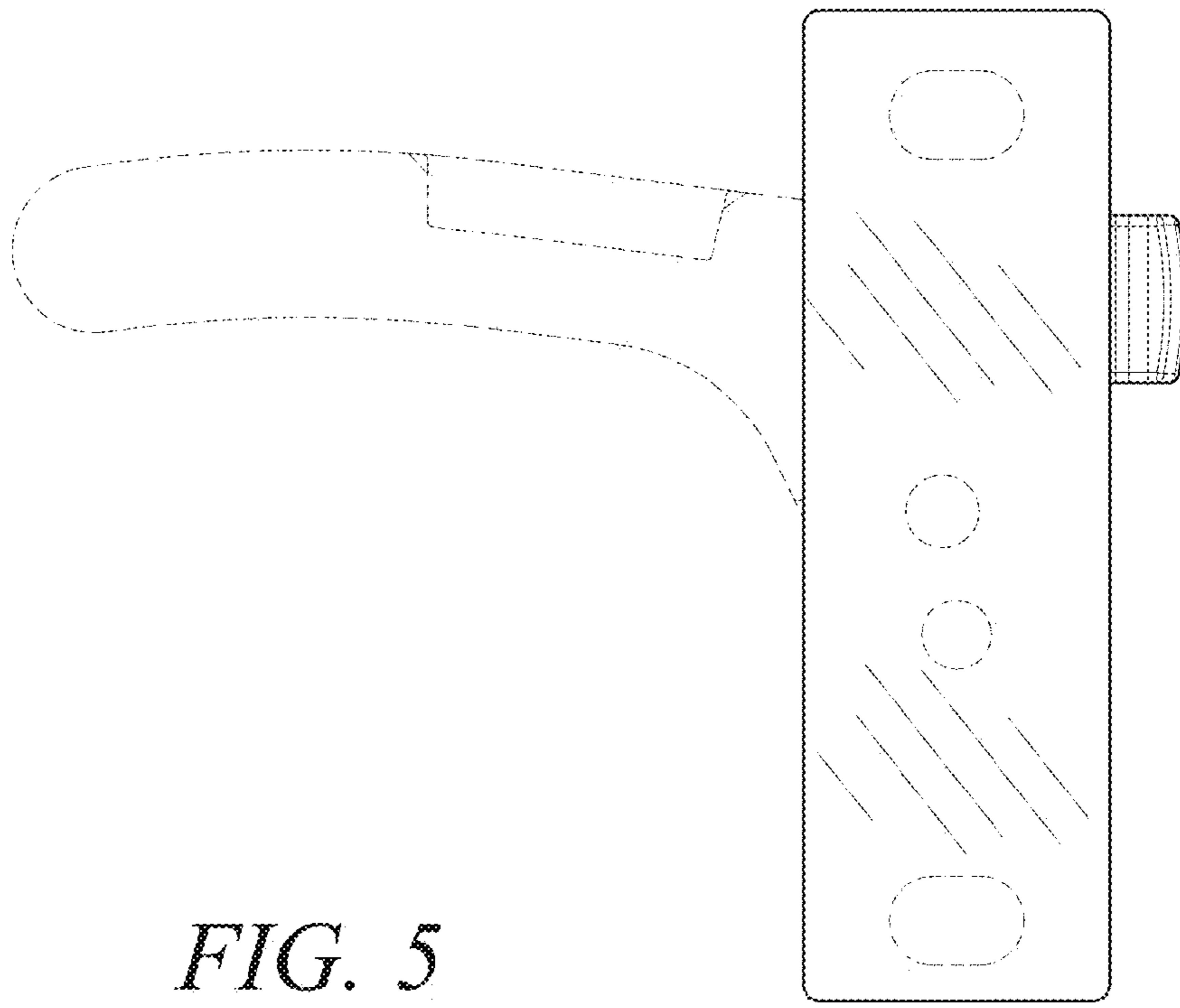


FIG. 5

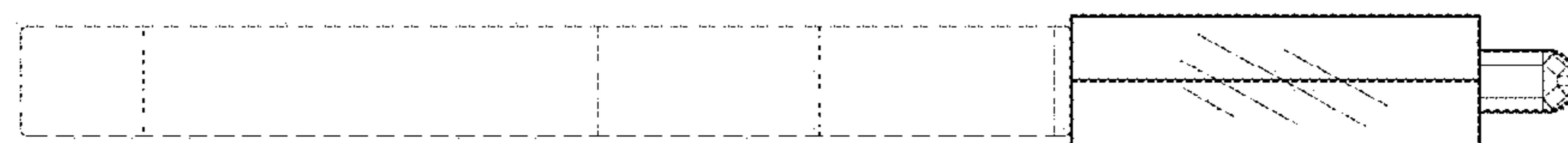


FIG. 7

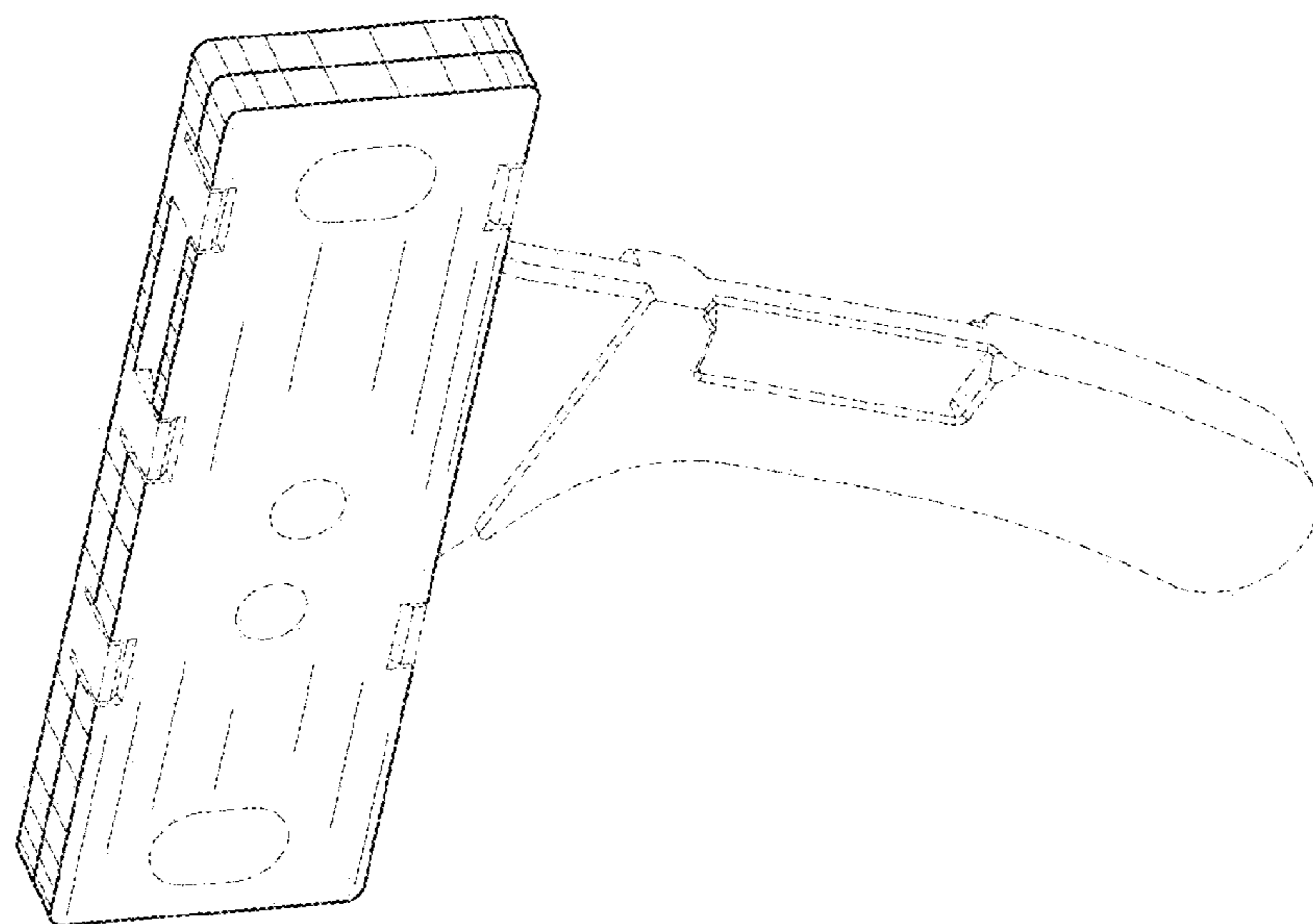


FIG. 8

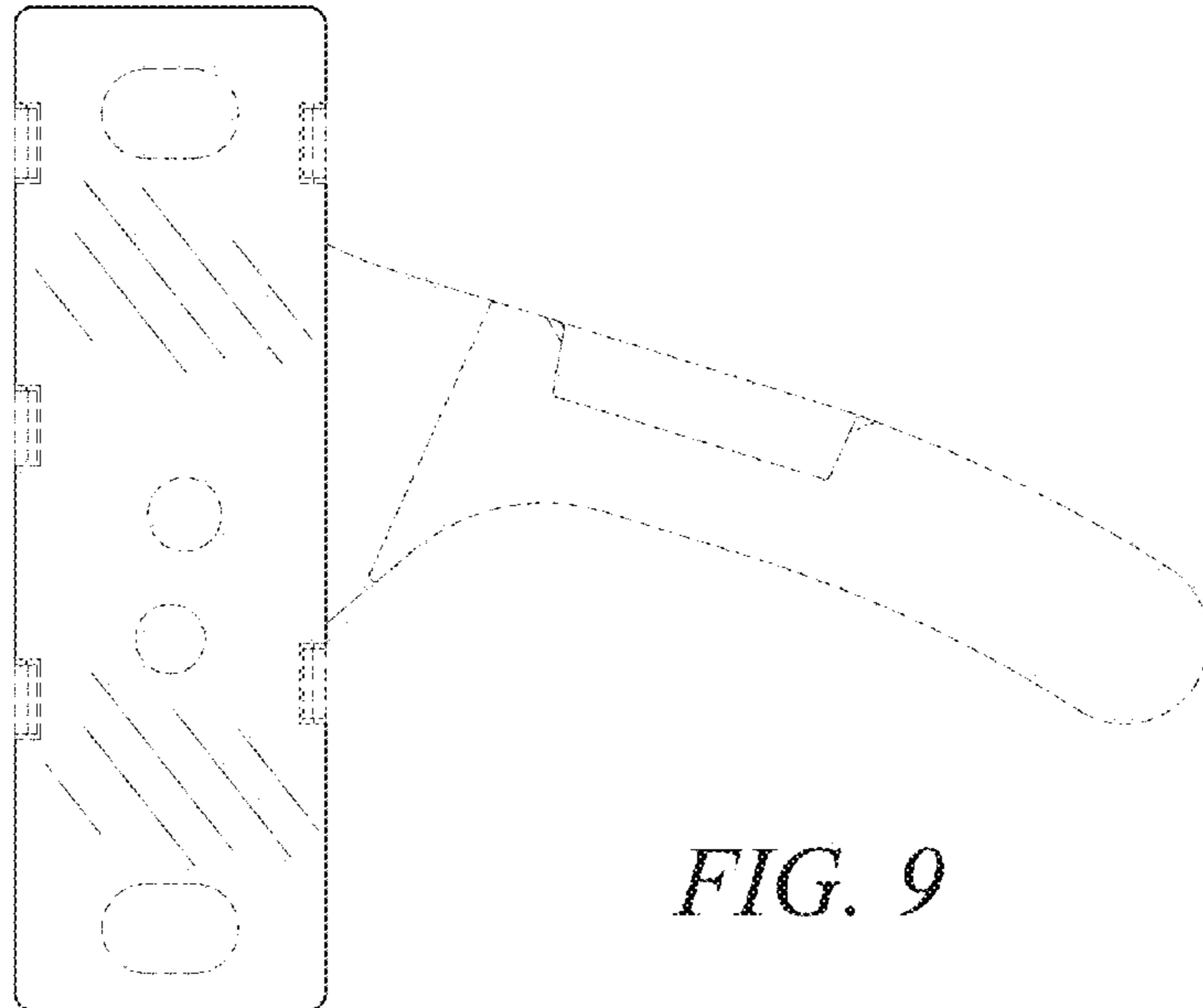


FIG. 9

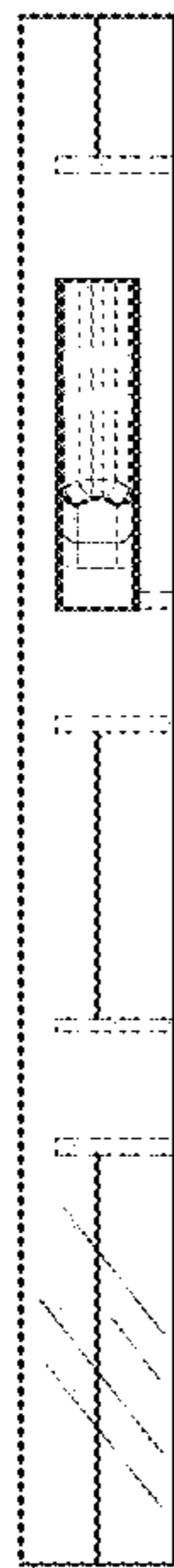


FIG. 10

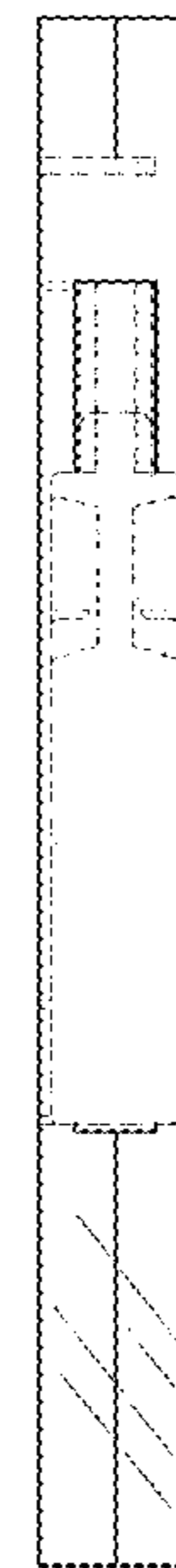


FIG. 11

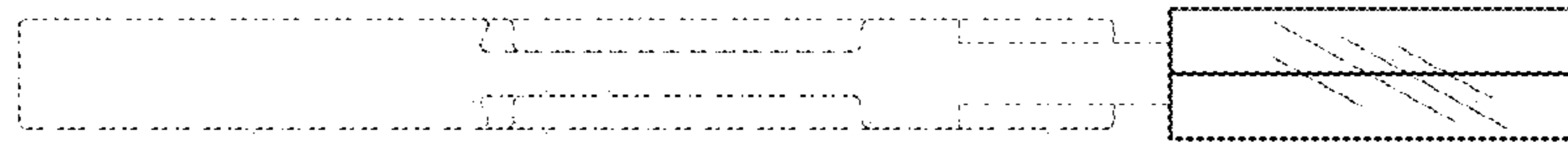


FIG. 13

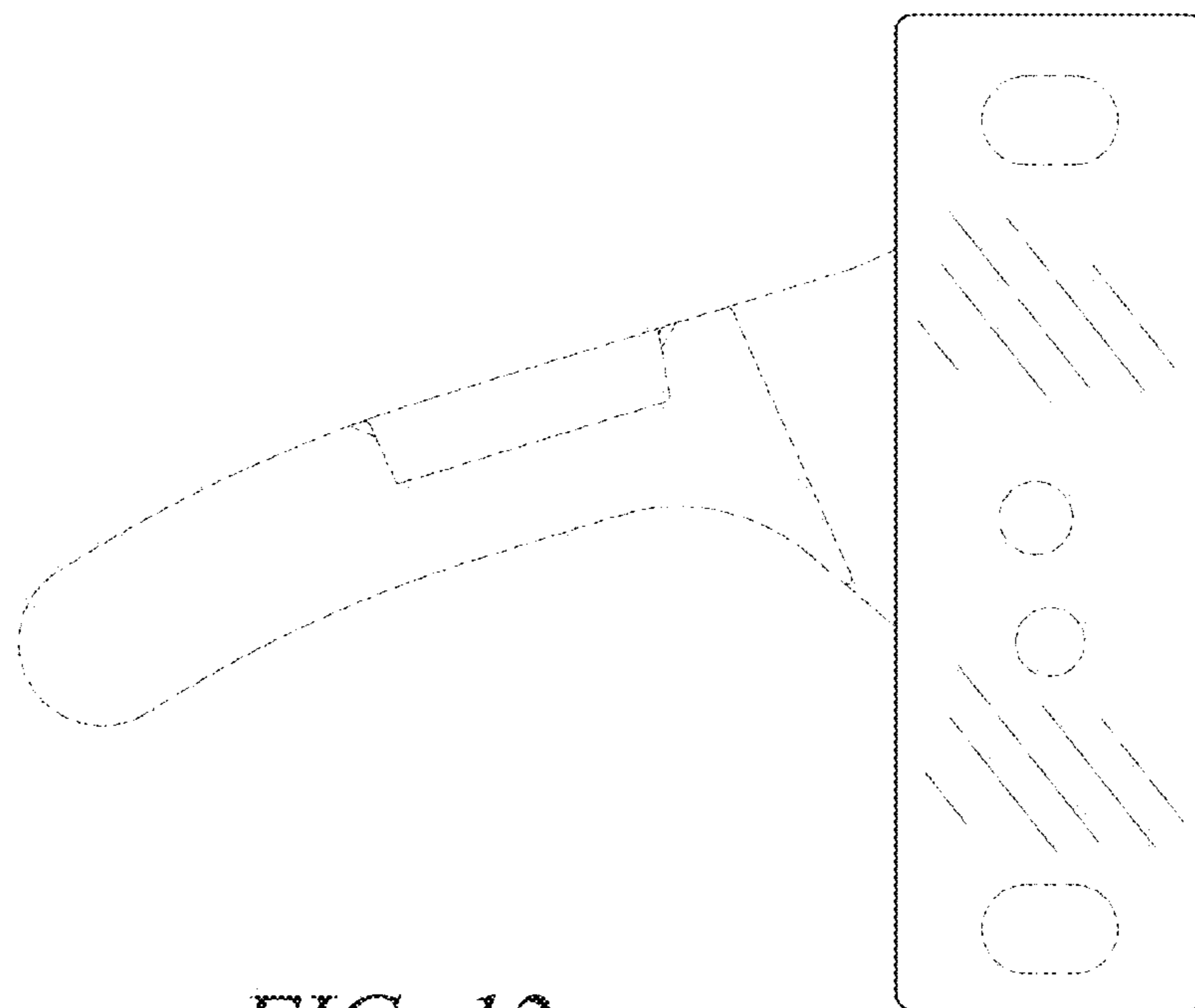


FIG. 12

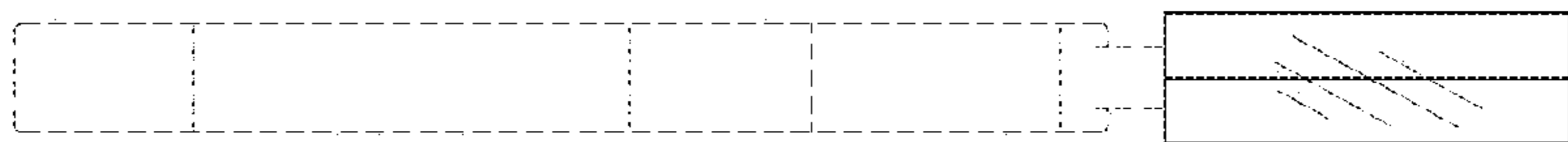


FIG. 14