



US00D751363S

(12) **United States Design Patent**
Chang

(10) **Patent No.:** US D751,363 S
(45) **Date of Patent:** ** Mar. 15, 2016

(54) **SOCKET FOR A WRENCH**

D544,322 S * 6/2007 Horobec D8/29
7,270,034 B2 * 9/2007 Hu 81/124.3
7,311,022 B2 * 12/2007 Putney et al. 81/125
7,331,260 B2 * 2/2008 Cheng 81/121.1
D570,169 S * 6/2008 Lin D8/29
D570,657 S * 6/2008 Hsieh D8/29
D597,809 S * 8/2009 Hsieh D8/29

(71) Applicant: **Chih-Min Chang**, Xiushui Township,
Changhua County (TW)

(72) Inventor: **Chih-Min Chang**, Xiushui Township,
Changhua County (TW)

(**) Term: **14 Years**

* cited by examiner

Primary Examiner — Randall Gholson

(21) Appl. No.: **29/509,473**

(74) *Attorney, Agent, or Firm* — Muncy, Geissler, Olds &
Lowe, P.C.

(22) Filed: **Nov. 18, 2014**

(30) **Foreign Application Priority Data**

May 19, 2014 (TW) 103302985

(51) **LOC (10) Cl.** **08-05**

(57) **CLAIM**

The ornamental design for a socket for a wrench, as shown
and described.

(52) **U.S. Cl.**
USPC **D8/29**

DESCRIPTION

(58) **Field of Classification Search**
USPC D8/29; 81/60, 177.1, 177.85, 121.1,
81/124.3, 165–170, 110.1, 176.2, 124.6,
81/176.1, 176.15; 16/110.1
CPC B25B 13/06; B25B 13/065
See application file for complete search history.

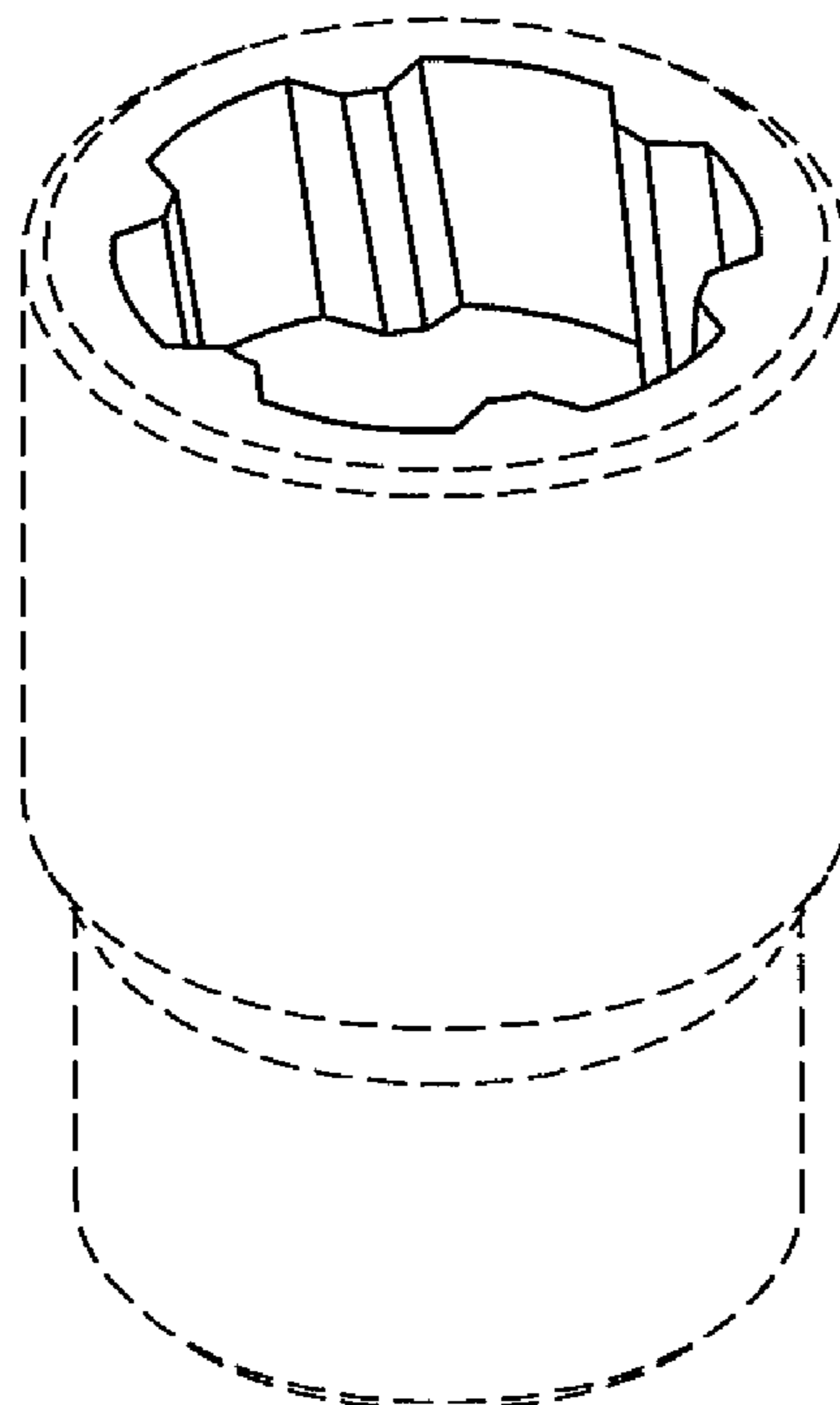
FIG. 1 is a perspective view of the present design;
FIG. 2 is a front view of the present design;
FIG. 3 is a rear view of the present design;
FIG. 4 is a left side view of the present design;
FIG. 5 is a right side view of the present design;
FIG. 6 is a top view of the present design; and,
FIG. 7 is a bottom view of the present design.
The broken lines depict portions of the socket for a wrench
that forms no part of the claimed design.

(56) **References Cited**

U.S. PATENT DOCUMENTS

1 Claim, 4 Drawing Sheets

D287,333 S * 12/1986 Knudson D8/373



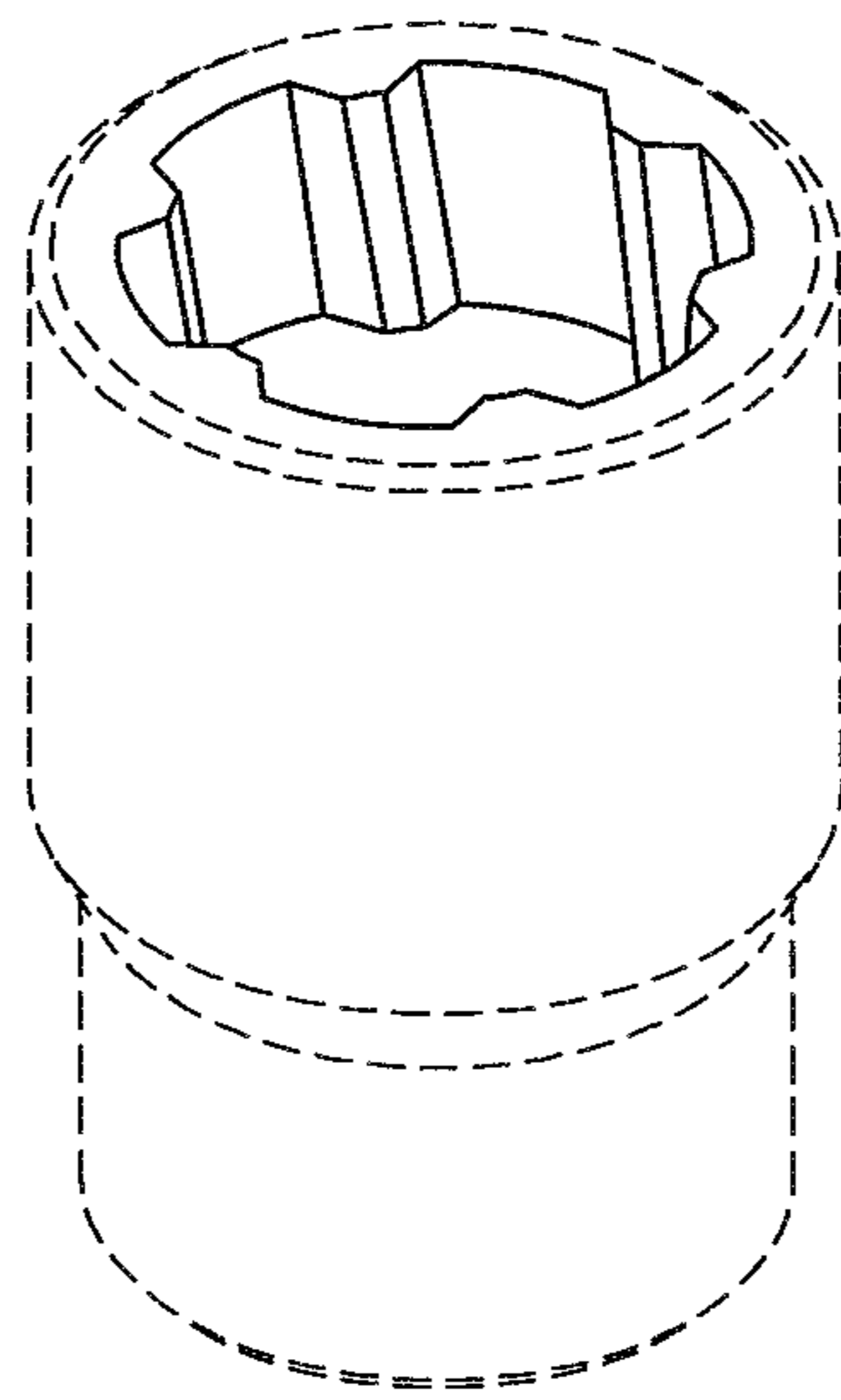


FIG. 1

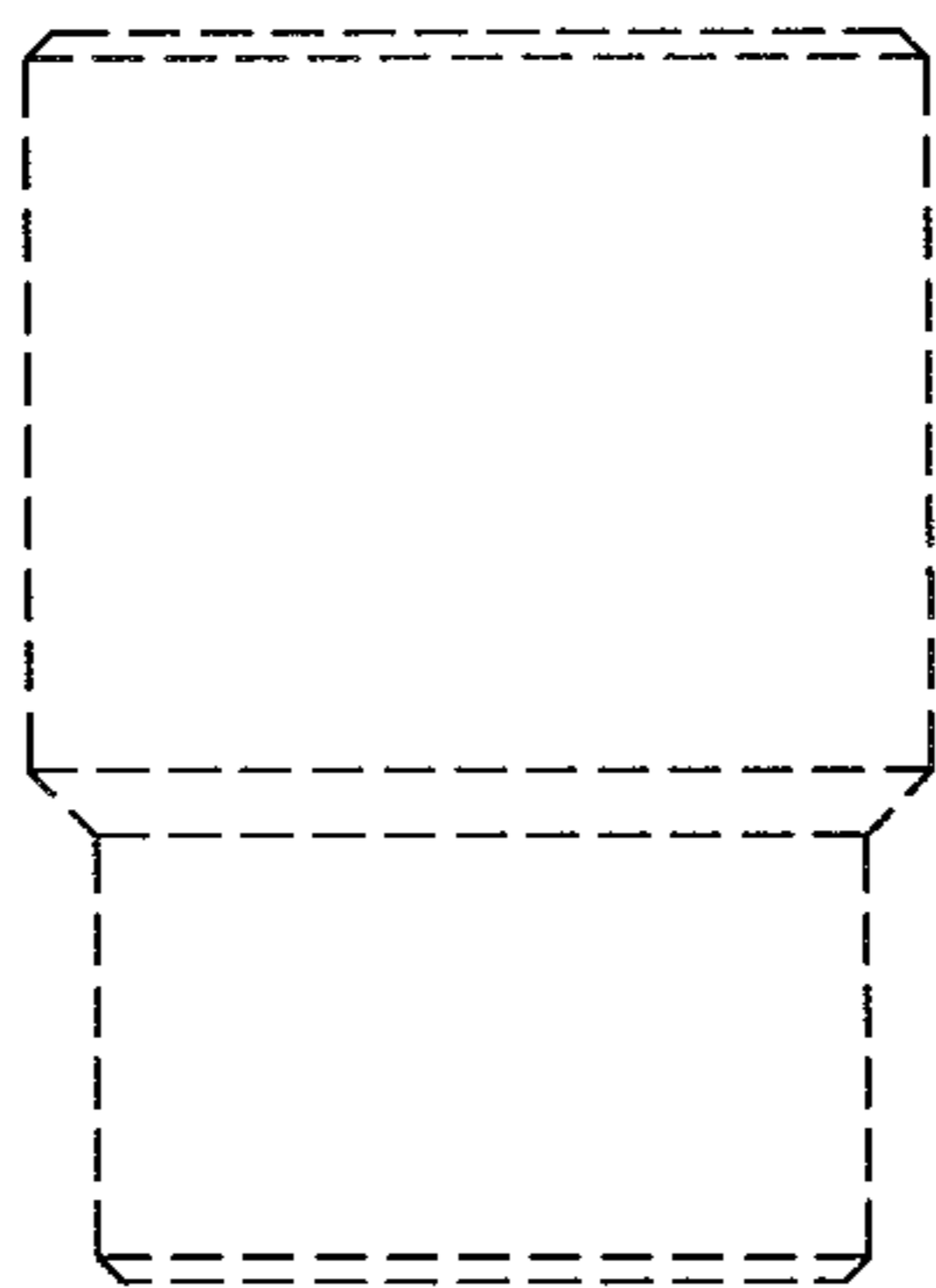


FIG. 2

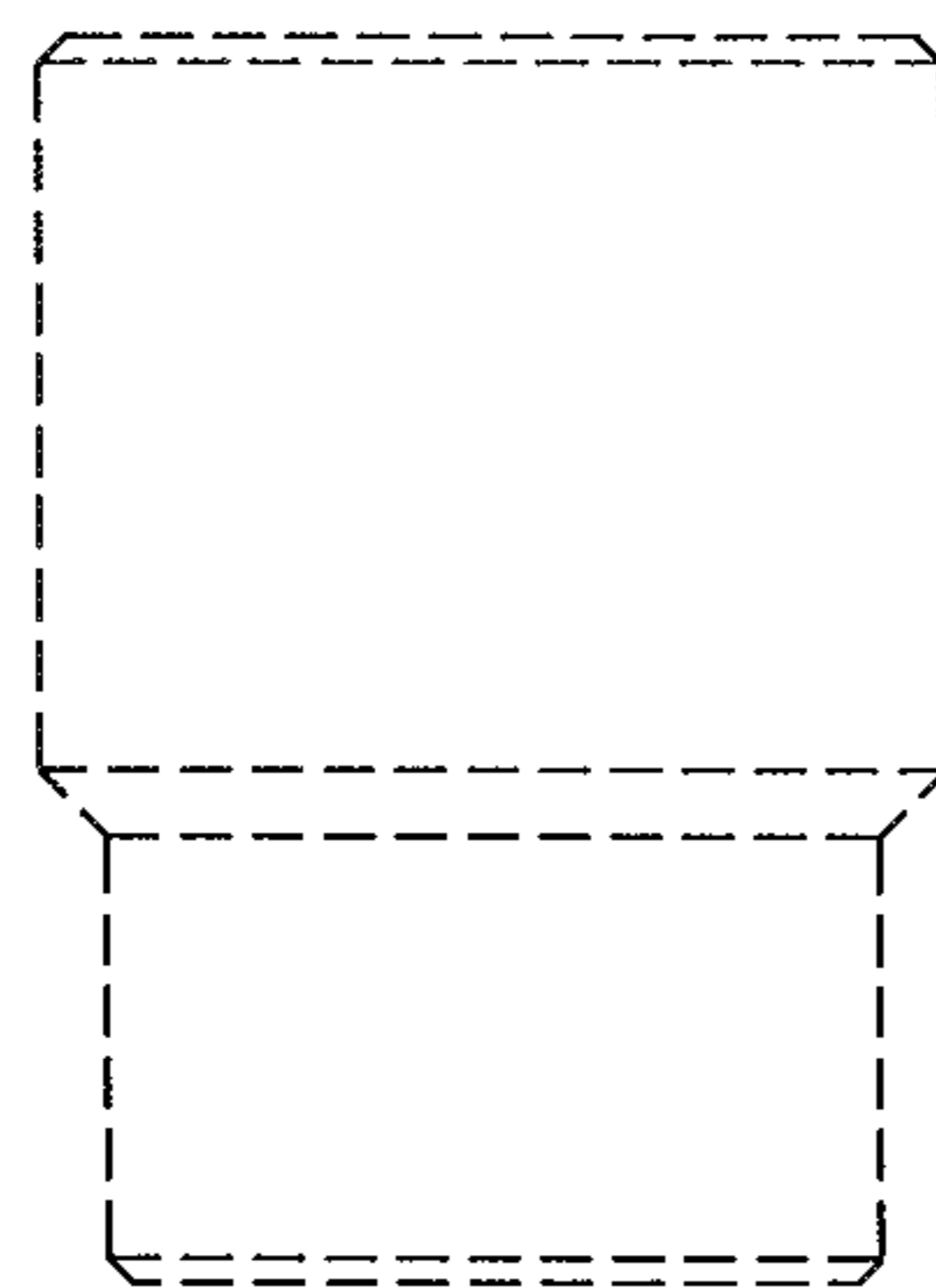


FIG. 3

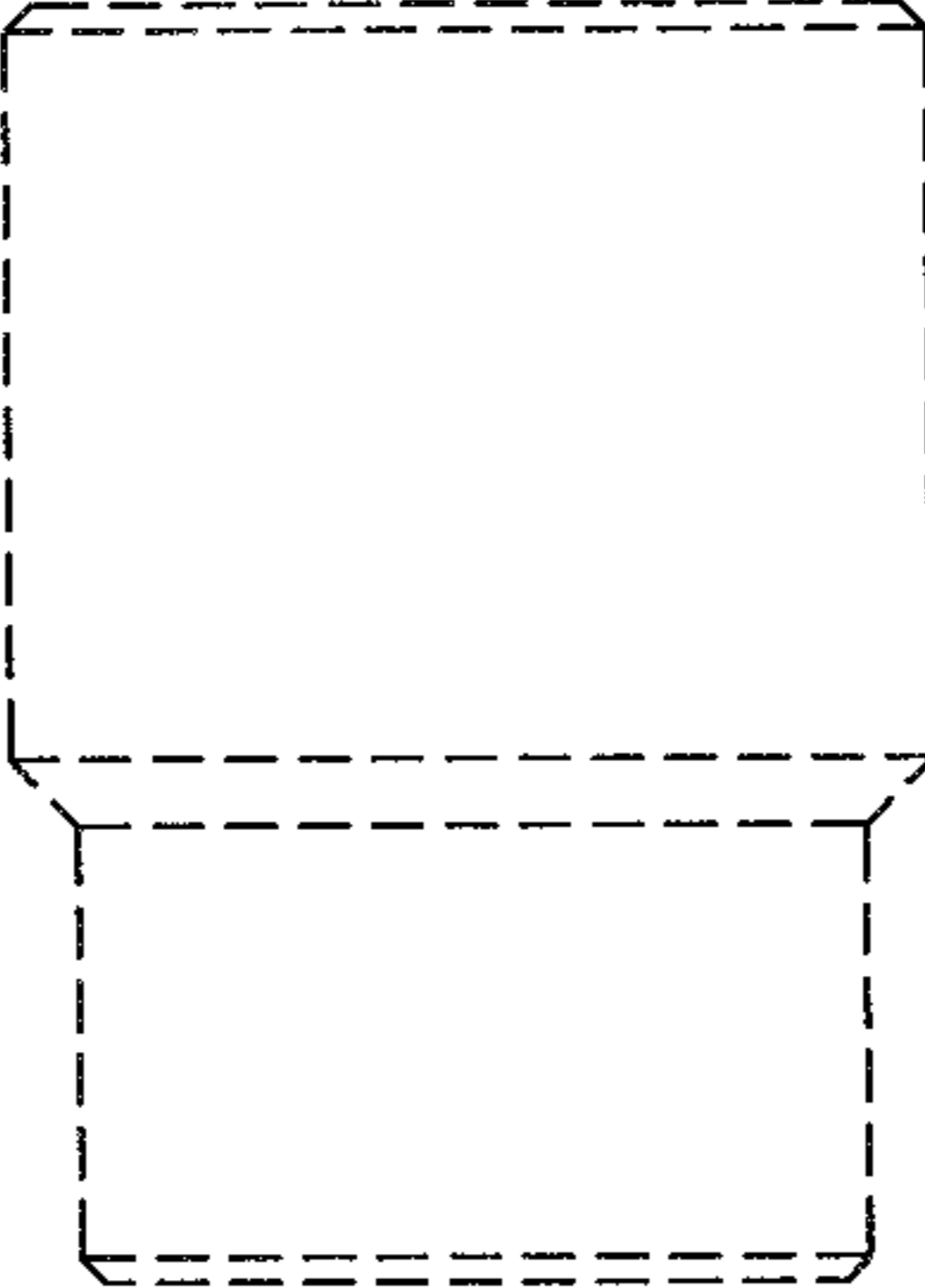


FIG. 4

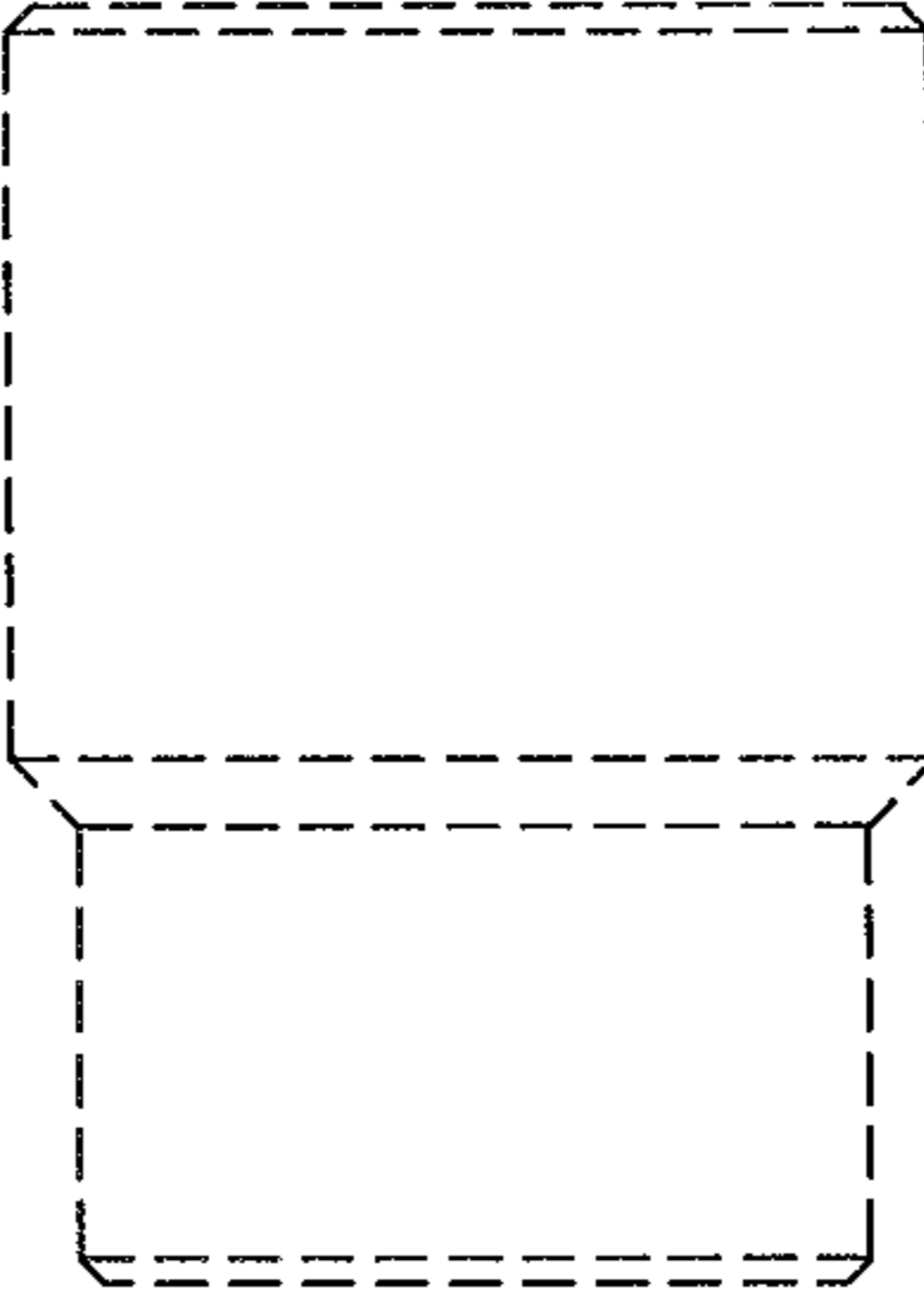


FIG. 5

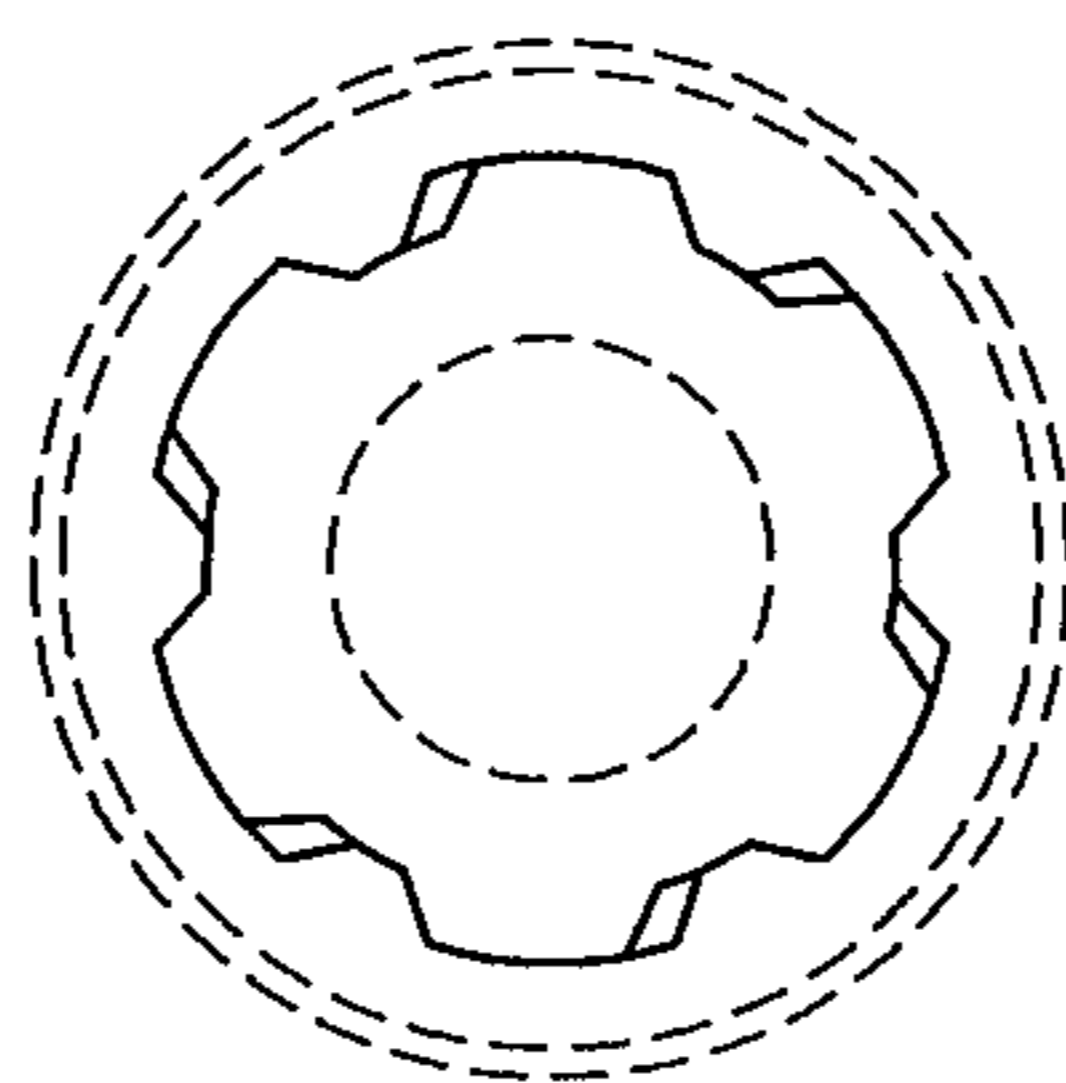


FIG. 6

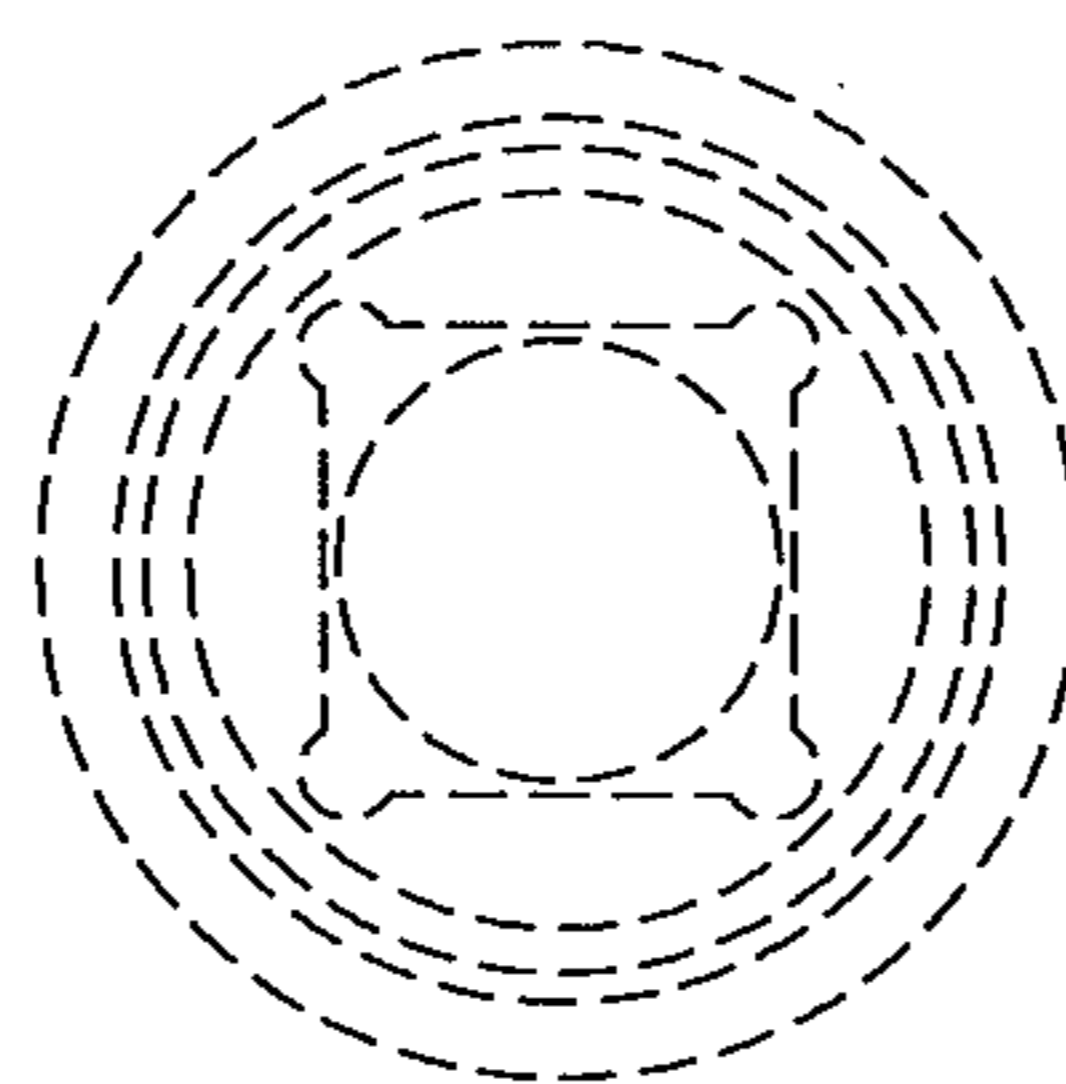


FIG. 7