



US00D751360S

(12) **United States Design Patent**
Oakley

(10) **Patent No.:** **US D751,360 S**
(45) **Date of Patent:** **** *Mar. 15, 2016**

(54) **BOTTLE OPENER**

(71) Applicant: **Dennis Oakley**, Waterford, NY (US)

(72) Inventor: **Dennis Oakley**, Waterford, NY (US)

(73) Assignee: **Dennis Oakley**, Waterford, NY (US)

(*) Notice: This patent is subject to a terminal disclaimer.

(**) Term: **14 Years**

(21) Appl. No.: **29/495,587**

(22) Filed: **Jul. 2, 2014**

Related U.S. Application Data

(63) Continuation-in-part of application No. 29/431,210, filed on Sep. 5, 2012, now Pat. No. Des. 710,670, and a continuation-in-part of application No. 13/611,815, filed on Sep. 12, 2012, now Pat. No. 8,887,598.

(51) **LOC (10) Cl.** **08-05**

(52) **U.S. Cl.**
USPC **D8/18; D8/40**

(58) **Field of Classification Search**
USPC D3/207, 208, 210; D8/14, 16, 18, 19, D8/20, 26, 33-43, 51, 52, 55, 57, 75, D8/81-89, 98, 99, 104-106, 354, 356, 358, D8/360.1; 7/151-166; 81/3.07, 3.09, 3.27, 81/3.29, 3.31, 3.35, 3.37, 3.4, 3.45, 3.49, 81/3.55, 177.3; 206/38, 234
See application file for complete search history.

(56) **References Cited**

U.S. PATENT DOCUMENTS

1,845,038	A	2/1932	Alderson	
1,953,690	A	4/1934	Samways	
D297,210	S	8/1988	Liversidge	
5,038,644	A *	8/1991	Delsack	81/177.3
5,946,753	A	9/1999	Roberts et al.	
D420,265	S *	2/2000	Pierce	D8/40

6,698,049	B2	3/2004	McLoudrey	
D488,689	S *	4/2004	Smith, IV	D8/33
D501,381	S *	2/2005	Kelleghan	D8/18
7,343,835	B2 *	3/2008	Jensen	81/3.27

(Continued)

OTHER PUBLICATIONS

<http://forum.multitool.org/index.php?topic=36491.0> Mar. 26, 2012.*

(Continued)

Primary Examiner — Susan Bennett Hattan

Assistant Examiner — Leanne Was

(74) *Attorney, Agent, or Firm* — Onello & Mello, LLP

(57) **CLAIM**

An ornamental design for a bottle opener, as shown and described.

DESCRIPTION

This application is related to U.S. Ser. No. 29/495,585, filed of even date herewith, "Multipurpose Handheld Tool", by Dennis C. Oakley, the content of which is incorporated herein by reference in its entirety.

FIG. 1 is a front perspective view of a bottle opener, in accordance with the present invention;

FIG. 2 is a back perspective view of a bottle opener, in accordance with the present invention;

FIG. 3 is a front plan view of a bottle opener, in accordance with the present invention;

FIG. 4 is a back plan view of a bottle opener, in accordance with the present invention;

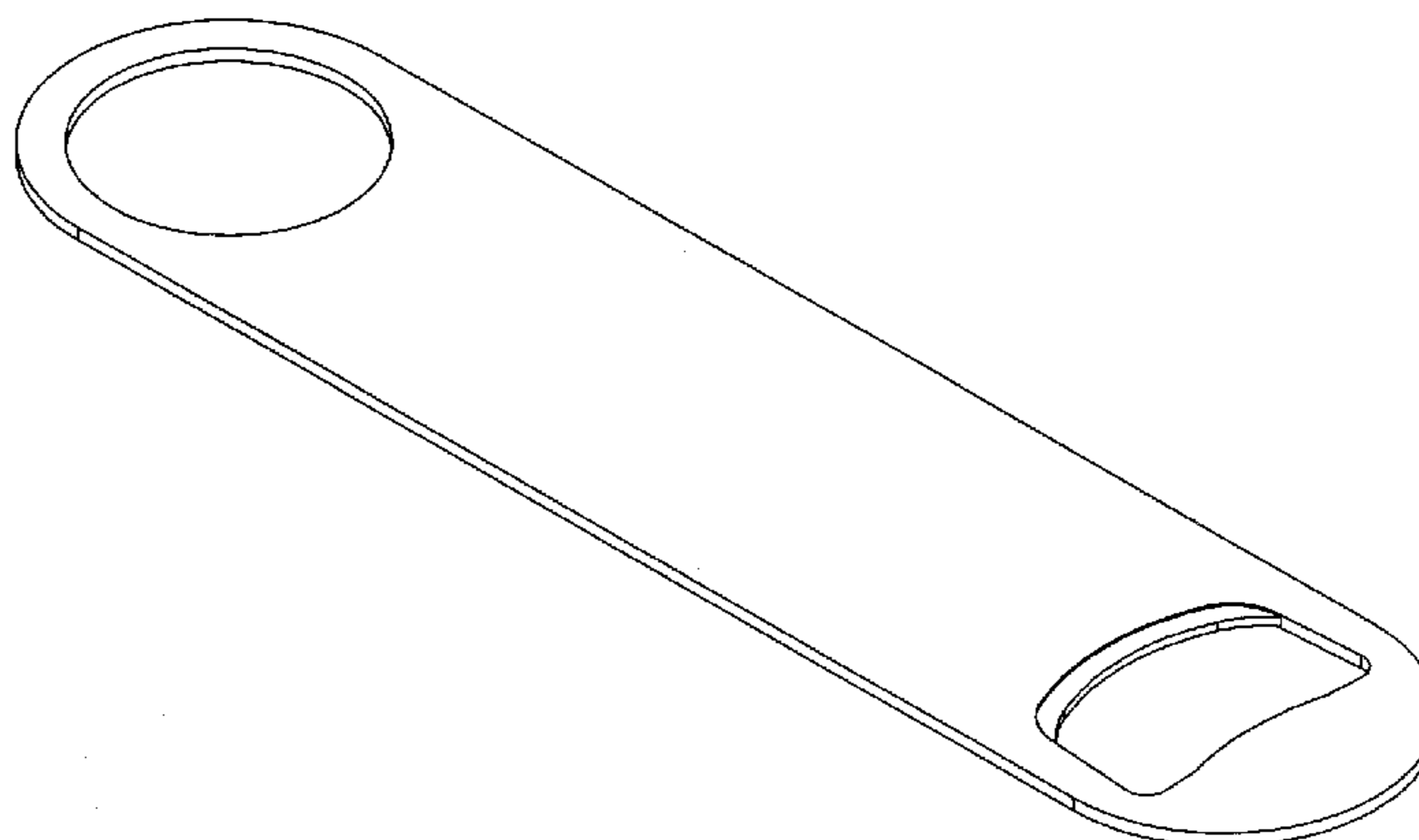
FIG. 5 is a first side view of a bottle opener, in accordance with the present invention;

FIG. 6 is a second side view of a bottle opener, in accordance with the present invention;

FIG. 7 is a top side view of a bottle opener, in accordance with the present invention; and,

FIG. 8 is a bottom side view of a bottle opener, in accordance with the present invention.

1 Claim, 2 Drawing Sheets



(56)

References Cited

U.S. PATENT DOCUMENTS

D613,137 S * 4/2010 Wieberdink et al. D8/14
 D624,378 S * 9/2010 Wysopal D8/40
 D637,463 S * 5/2011 Silvers et al. D8/18
 8,015,642 B1 * 9/2011 Oakley 7/156
 D646,938 S * 10/2011 Silvers et al. D8/18
 D649,001 S 11/2011 Still
 D654,770 S * 2/2012 Frank et al. D8/40
 D657,651 S 4/2012 Rubin et al.
 D661,559 S * 6/2012 O'Connell et al. D8/18
 8,281,437 B2 10/2012 Hunkele
 D679,967 S * 4/2013 Junyong et al. D8/17
 D688,542 S * 8/2013 Wysoczynski et al. D8/18
 D689,351 S * 9/2013 Webb, Jr. D8/17
 D693,660 S * 11/2013 Hackett et al. D8/18
 8,607,668 B1 * 12/2013 Frank et al. 81/3.09
 D710,670 S * 8/2014 Oakley D8/105
 D713,699 S * 9/2014 Bachman et al. D8/40
 8,887,598 B1 * 11/2014 Oakley 81/3.09
 D721,564 S * 1/2015 Purnomohadi D8/98
 8,925,423 B1 * 1/2015 Rotolo 81/3.09

8,950,291 B1 * 2/2015 Coleman 81/3.09
 D732,933 S * 6/2015 Jansen D8/356
 2007/0079668 A1 * 4/2007 Jensen 81/3.27
 2011/0072594 A1 3/2011 Danias-Borkin

OTHER PUBLICATIONS

<https://www.kickstarter.com/projects/1455269144/the-original-barback-multi-tool-9-beverage-tools-i/posts/176014> Feb. 16, 2012.*
<http://www.coroflot.com/jbw77/Industrial-n-Furniture-Design> Jul. 16, 2006.*
<http://www.originalbarback.com/AboutUs.html>. *
<http://inkcorrect.com/stainless-steel-bottle-opener.aspx> Oct. 7, 2010.*
 "Multipurpose Handheld Tool and Associated Method" Specification, Drawings, Claims and Prosecution History, of U.S. Appl. No. 13/611,815, filed Sep. 12, 2012, by Dennis Oakley.
 "Multipurpose Handheld Tool" Specification, Drawings, Claims and Prosecution History, of U.S. Appl. No. 29/431,210, filed Sep. 5, 2012, by Dennis Oakley.

* cited by examiner

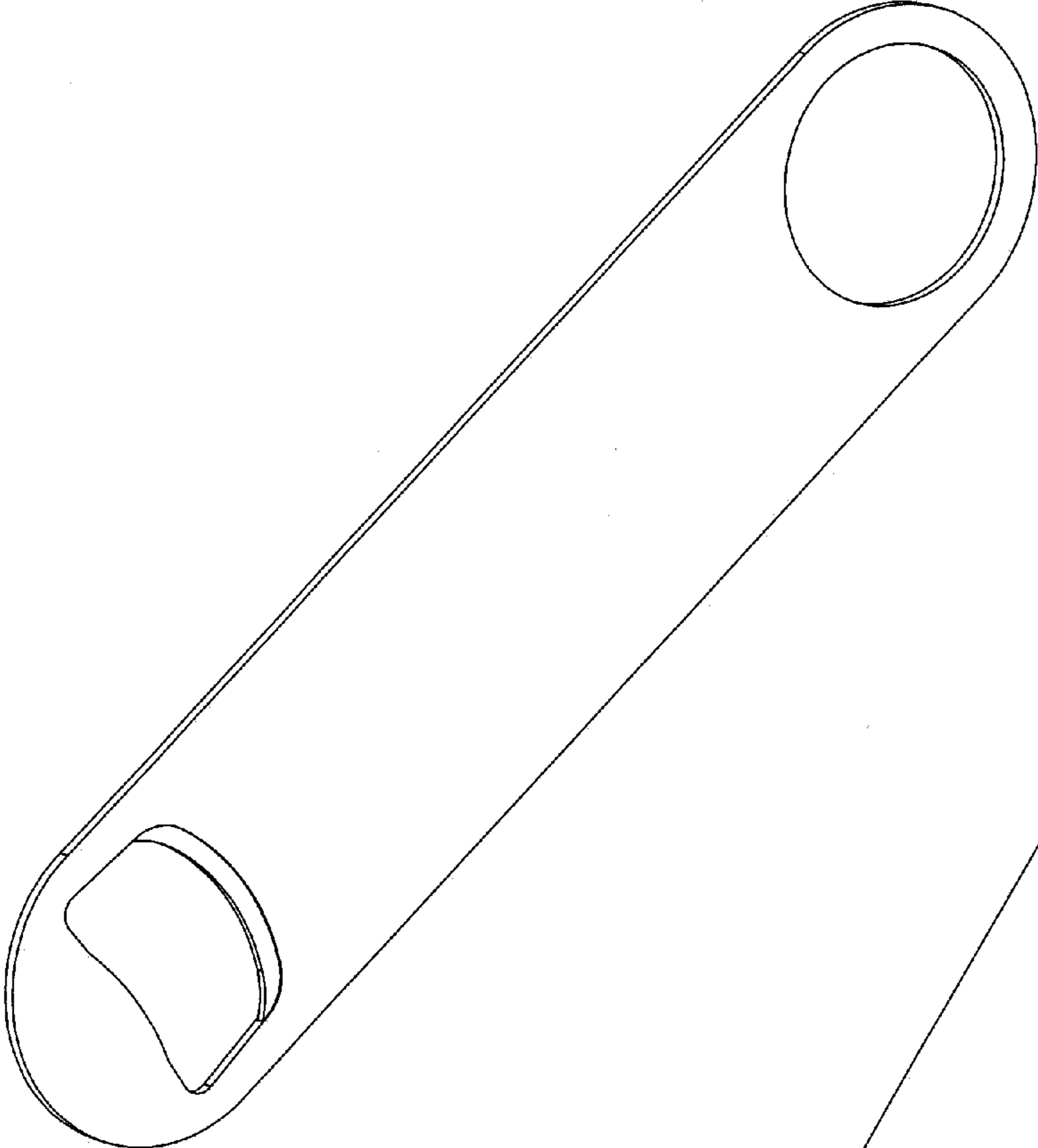


FIG. 2

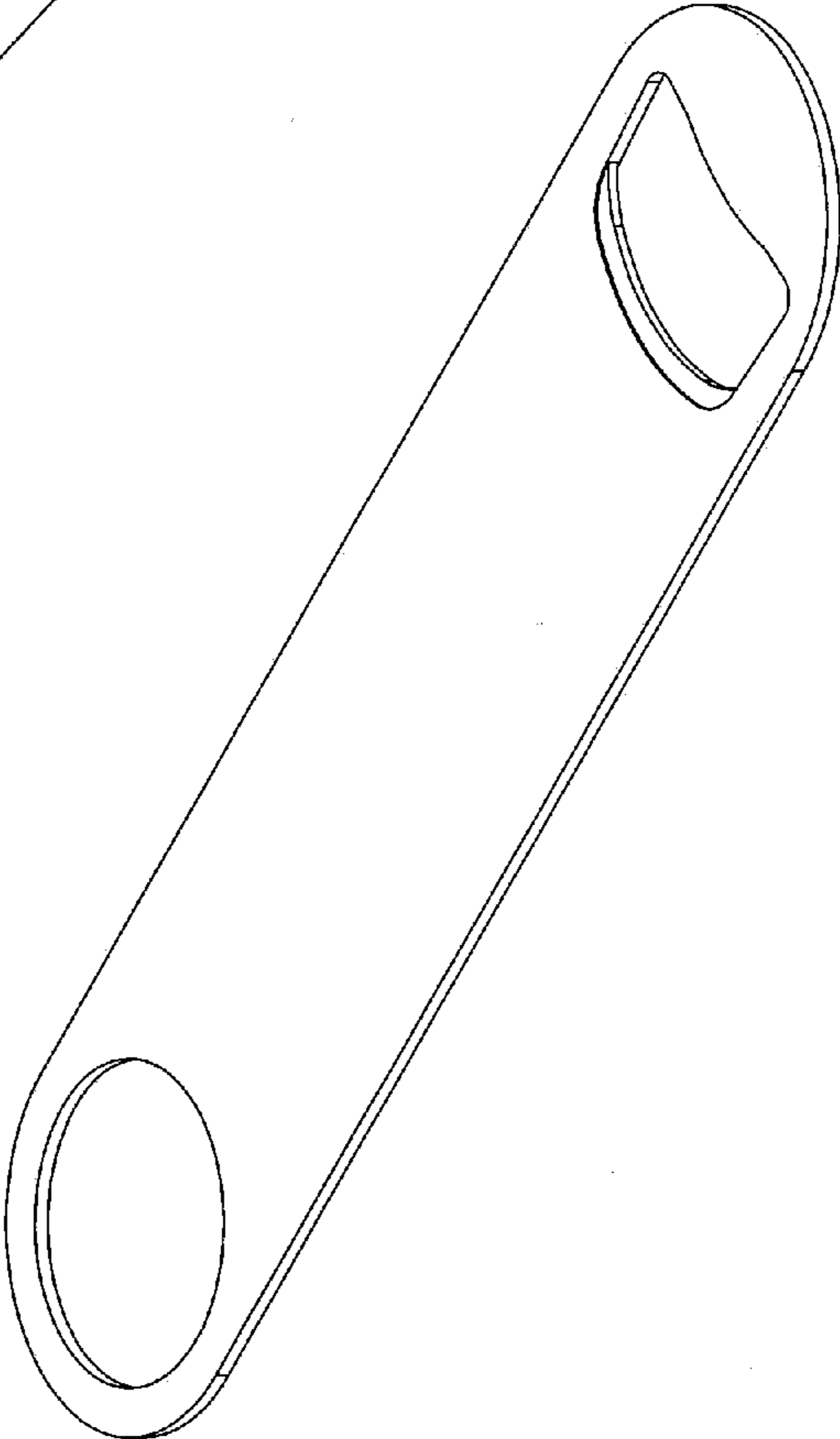


FIG. 1



FIG. 8

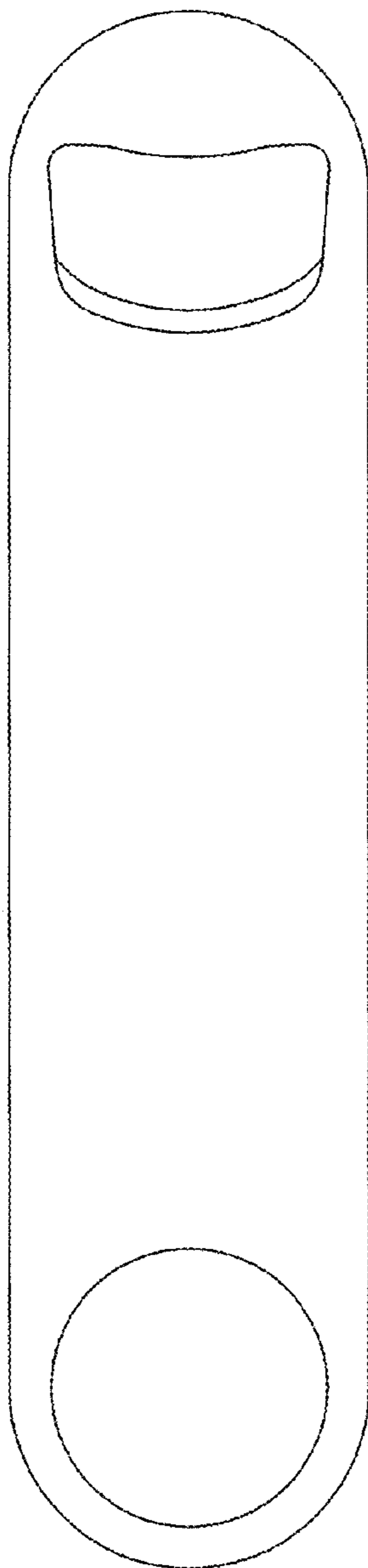


FIG. 3

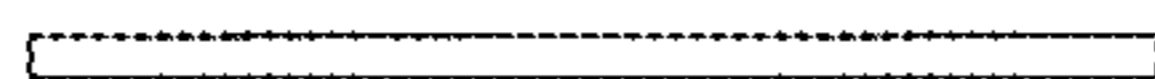


FIG. 7



FIG. 6

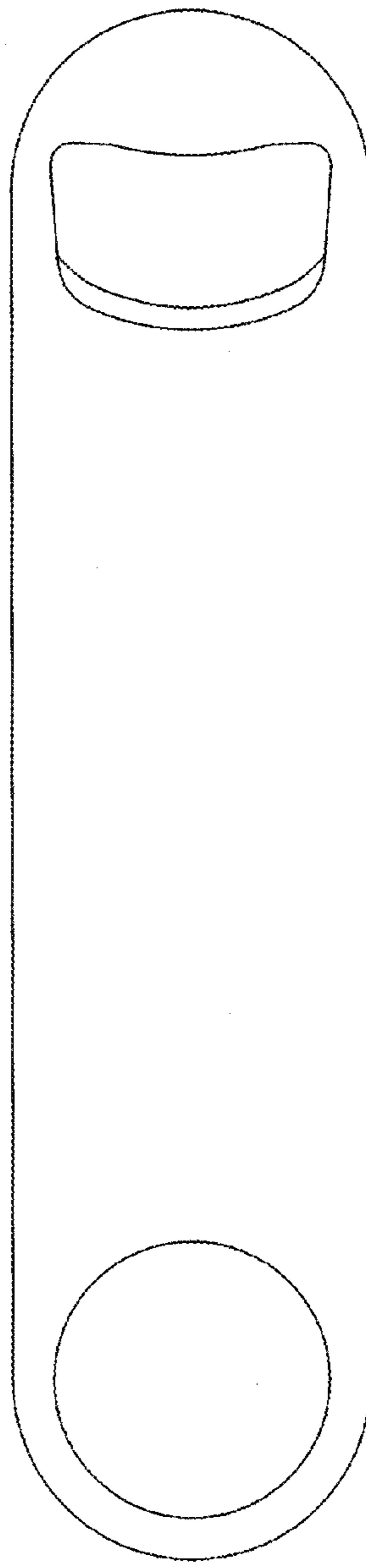


FIG. 4