



US00D751359S

(12) **United States Design Patent**
Andoh

(10) **Patent No.:** **US D751,359 S**
(45) **Date of Patent:** **** Mar. 15, 2016**

- (54) **FUSE PULLER**
- (71) Applicant: **Pacific Engineering Corp.**, Ogaki-shi (JP)
- (72) Inventor: **Hideki Andoh**, Ogaki (JP)
- (73) Assignee: **Pacific Engineering Corp.**, Ogaki-shi (JP)
- (**) Term: **14 Years**
- (21) Appl. No.: **29/509,684**
- (22) Filed: **Nov. 20, 2014**

- 4,541,311 A 9/1985 Trammell, Jr.
- 4,841,819 A 6/1989 Williams
- 5,588,341 A 12/1996 Higuchi
- 5,666,865 A 9/1997 Ito
- 6,871,567 B2 3/2005 Pinana Lopez
- D549,058 S 8/2007 Shibata et al.
- 7,384,086 B2 6/2008 Lukaszynski et al.
- 2005/0001439 A1 1/2005 Lukaszynski et al.

Primary Examiner — Phillip S Hyder
(74) *Attorney, Agent, or Firm* — Boyle Fredrickson S.C.

(57) **CLAIM**
The ornamental design a fuse puller, as shown and described.

DESCRIPTION

FIG. 1 is a perspective view of a preferred embodiment of a fuse puller showing my new design;
 FIG. 2 is a front view of FIG. 1, the rear view being a mirror image of FIG. 2;
 FIG. 3 is a top plan view of FIG. 1;
 FIG. 4 is a bottom plan view of FIG. 1;
 FIG. 5 is a right side elevational view of FIG. 1;
 FIG. 6 is a left side elevational view of FIG. 1;
 FIG. 7 is a cross-sectional view taken along line 7-7 in FIG. 2;
 FIG. 8 is a cross-sectional view taken along line 8-8 in FIG. 2;
 FIG. 9 is an enlarged view of the portion defined by lines 9-9 in FIG. 2;
 FIG. 10 is a cross-sectional view taken along line 10-10 in FIG. 5;
 FIG. 11 is an enlarged cross-sectional view taken along line 11-11 in FIG. 9; and,
 FIG. 12 is an enlarged cross-sectional view taken along line 12-12 in FIG. 9.

The features shown in broken lines in the drawings depict environmental subject matter only and form no part of the claimed design. The dot-dashed lines in the drawings define the boundaries of the claimed design and form no part thereof.

Related U.S. Application Data

- (62) Division of application No. 29/458,983, filed on Jun. 25, 2013, now Pat. No. Des. 729,022.

(30) **Foreign Application Priority Data**

- Jan. 23, 2013 (JP) 2013-001072
- Feb. 21, 2013 (JP) 2013-003532

- (51) **LOC (10) Cl.** **08-05**
- (52) **U.S. Cl.**
USPC **D8/14**

- (58) **Field of Classification Search**
USPC D8/14, 51, 395; 81/3.8; 29/278, 747, 29/758, 768
CPC B25B 9/00; B25B 9/02; B25B 27/00; B25B 33/00
See application file for complete search history.

(56) **References Cited**

U.S. PATENT DOCUMENTS

- 3,215,006 A 11/1965 Urani
- 3,654,824 A 4/1972 Reed

1 Claim, 11 Drawing Sheets

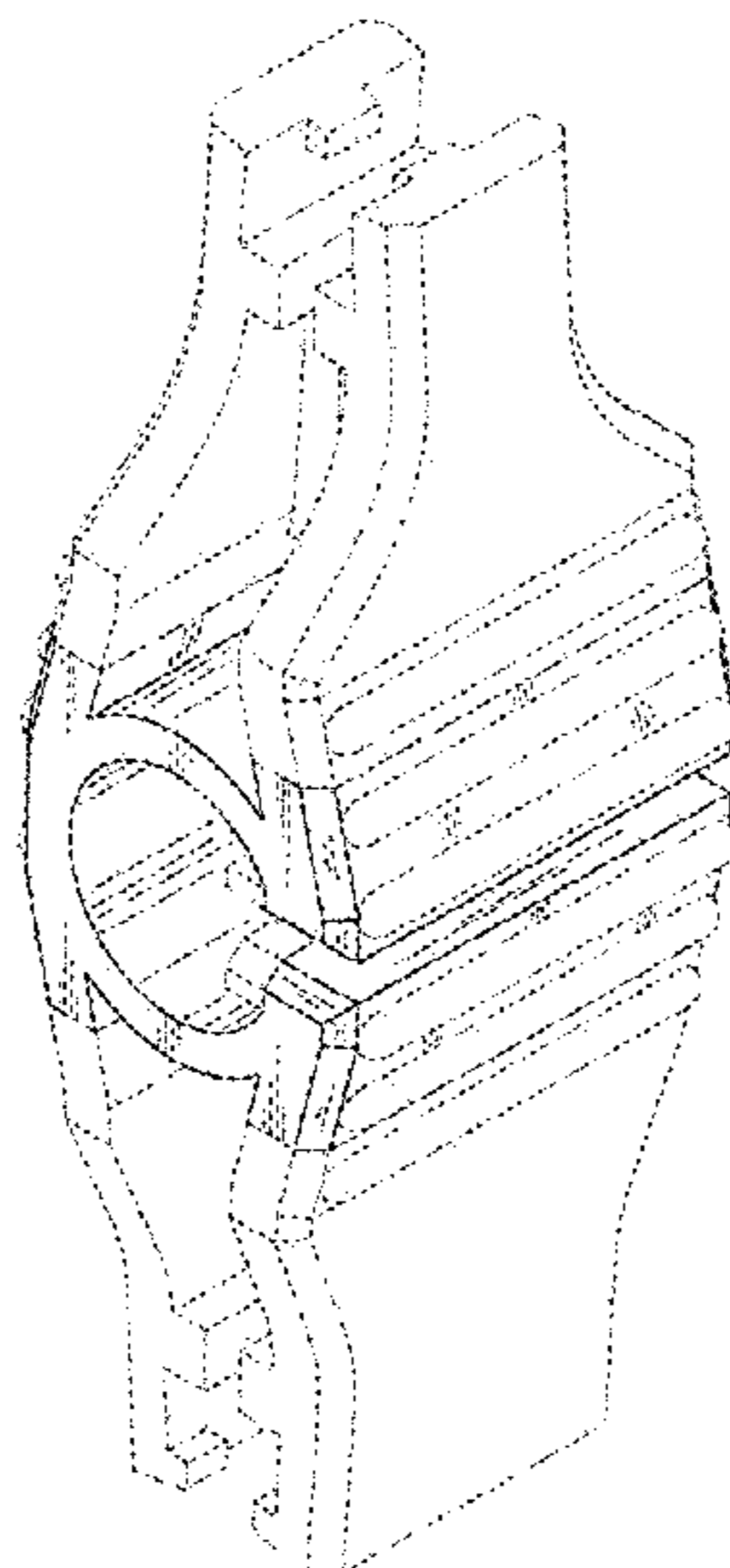


FIG. 1

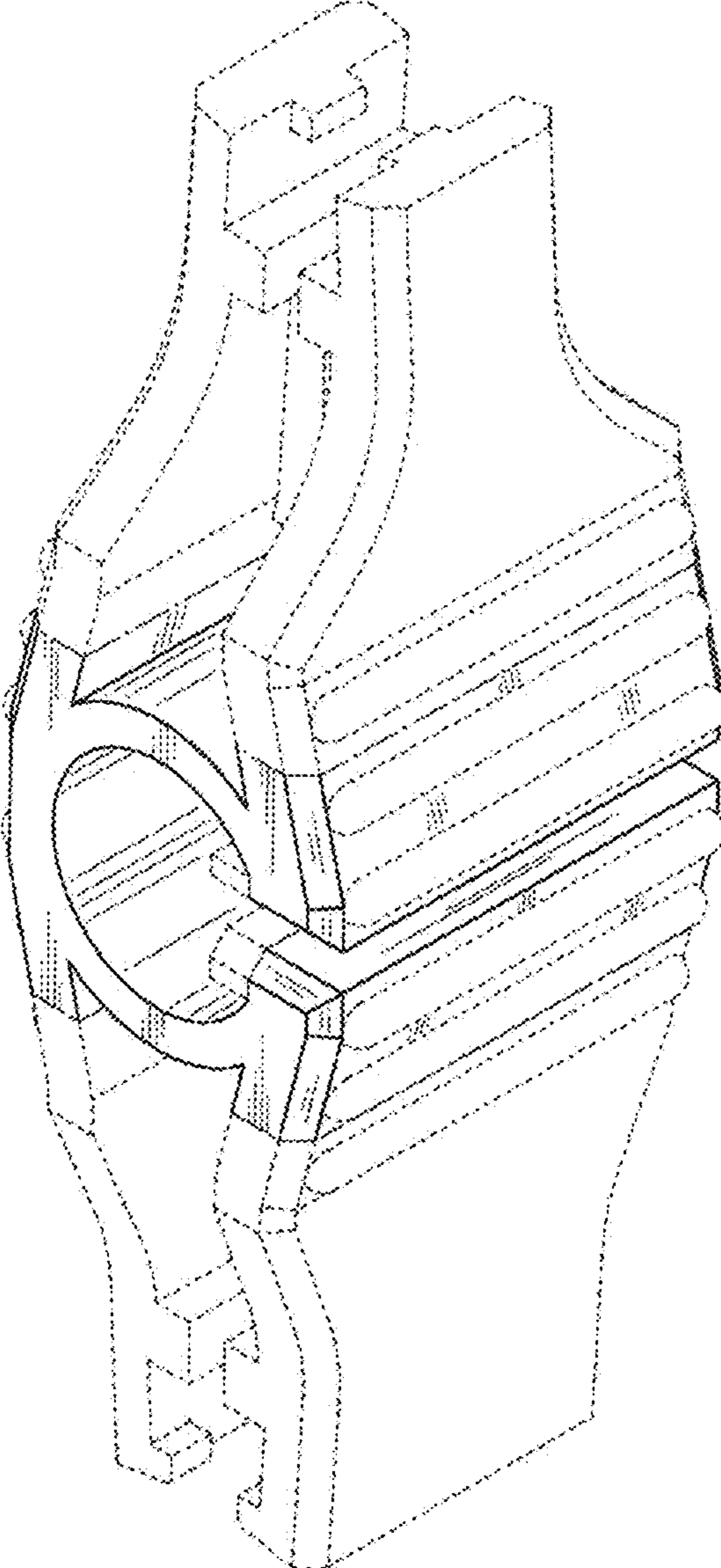


FIG. 2

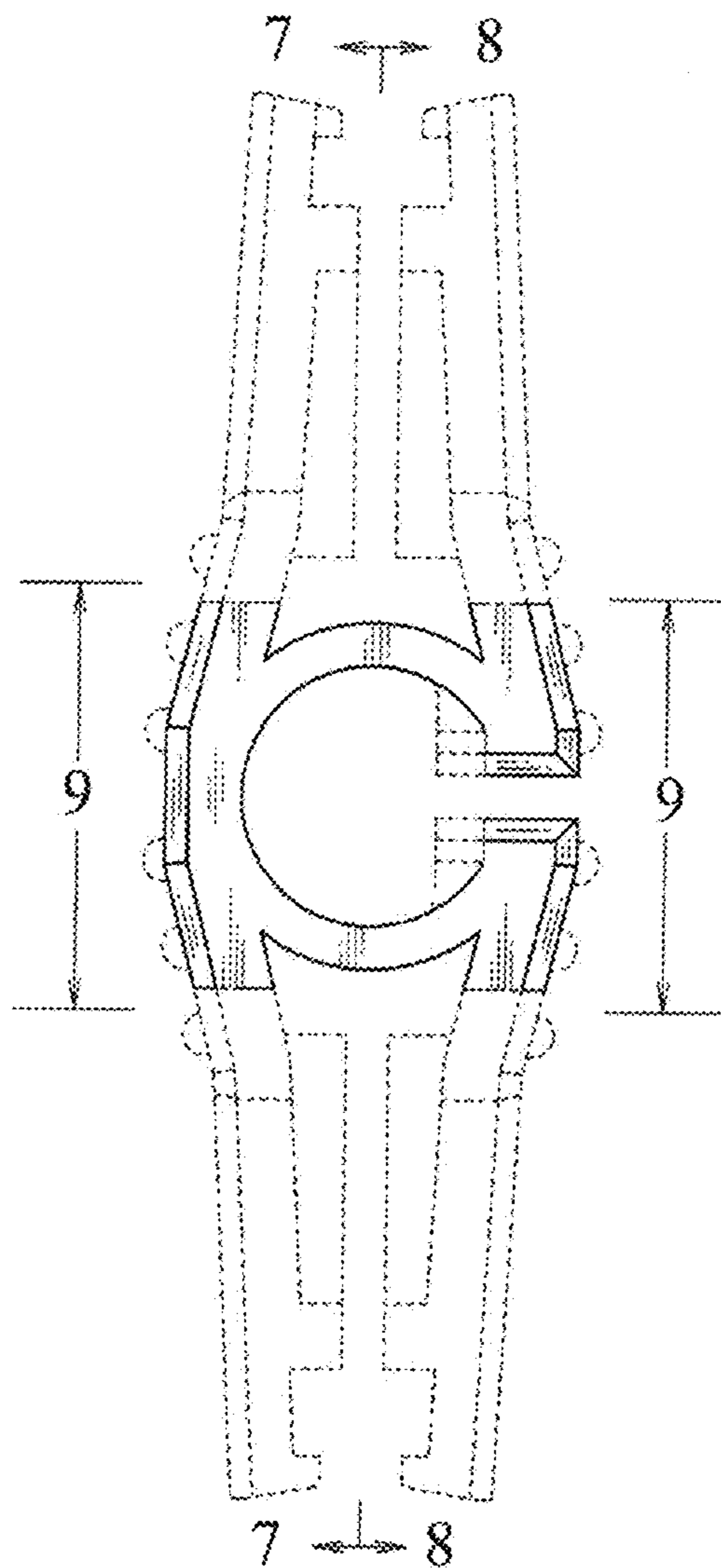


FIG. 3

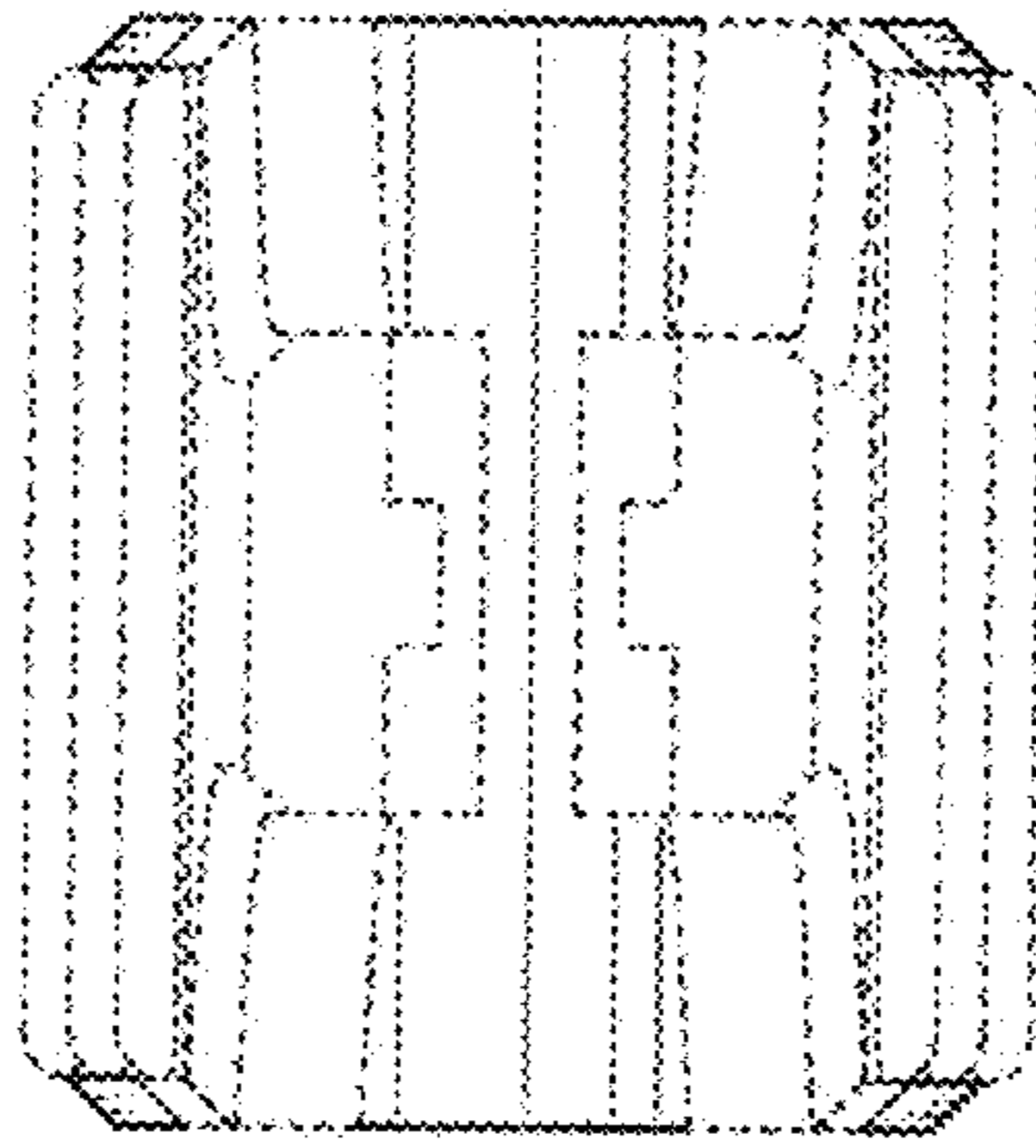


FIG. 4

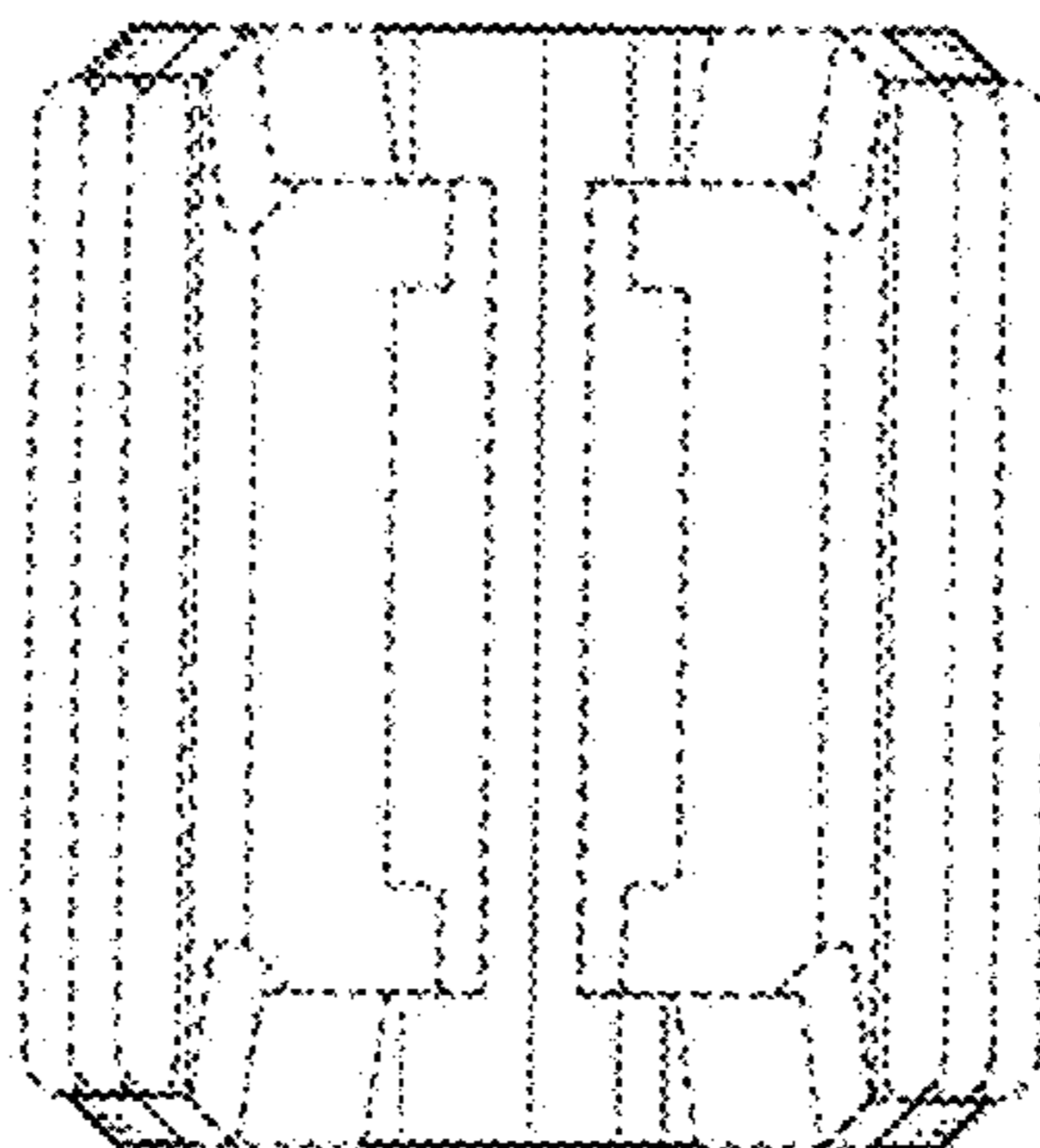


FIG. 5

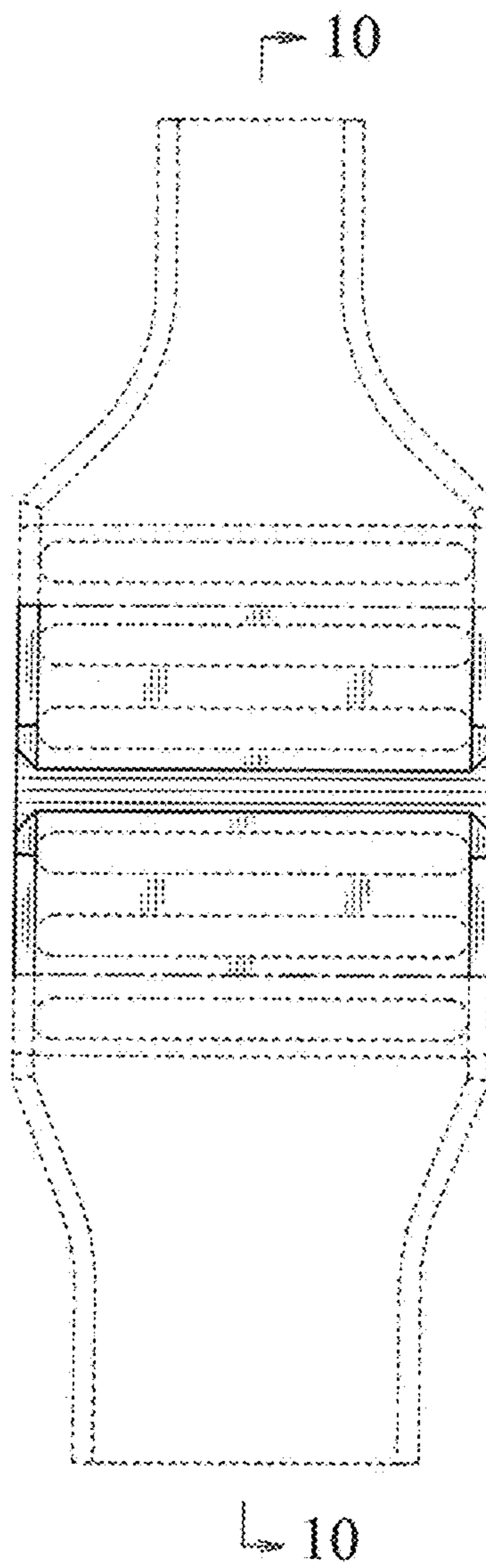


FIG. 6

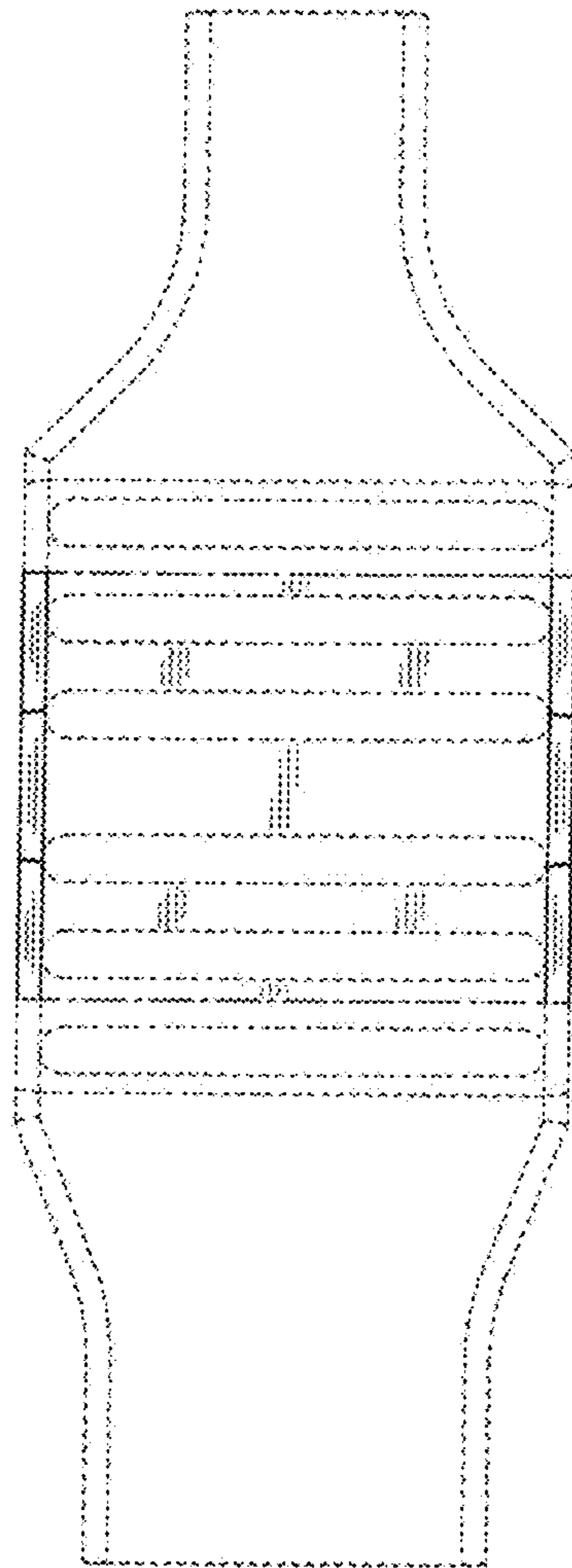


FIG. 7

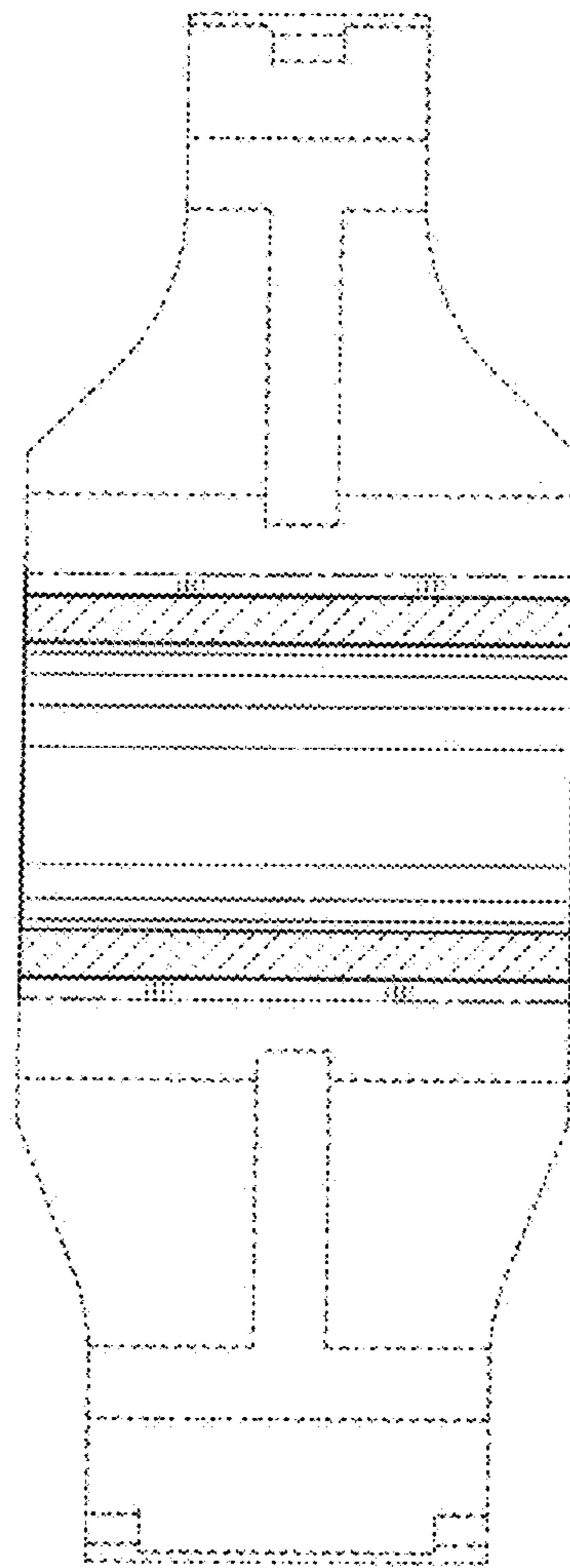


FIG. 8

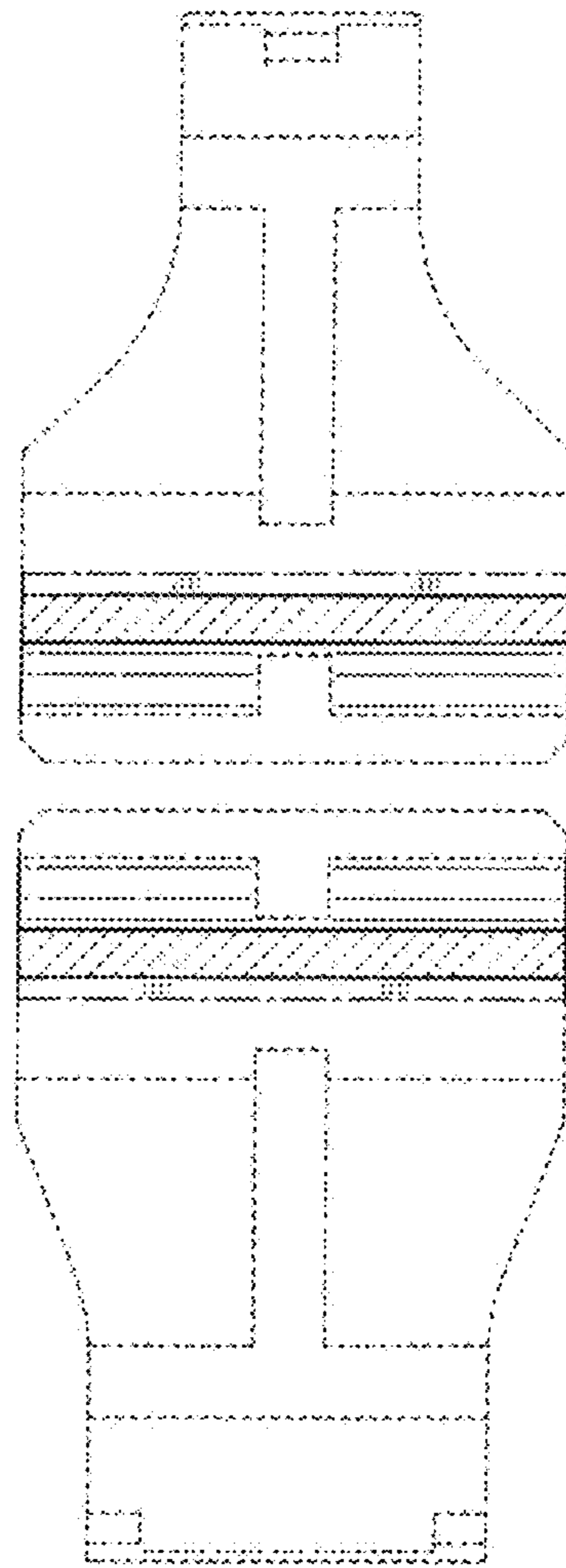


FIG. 9

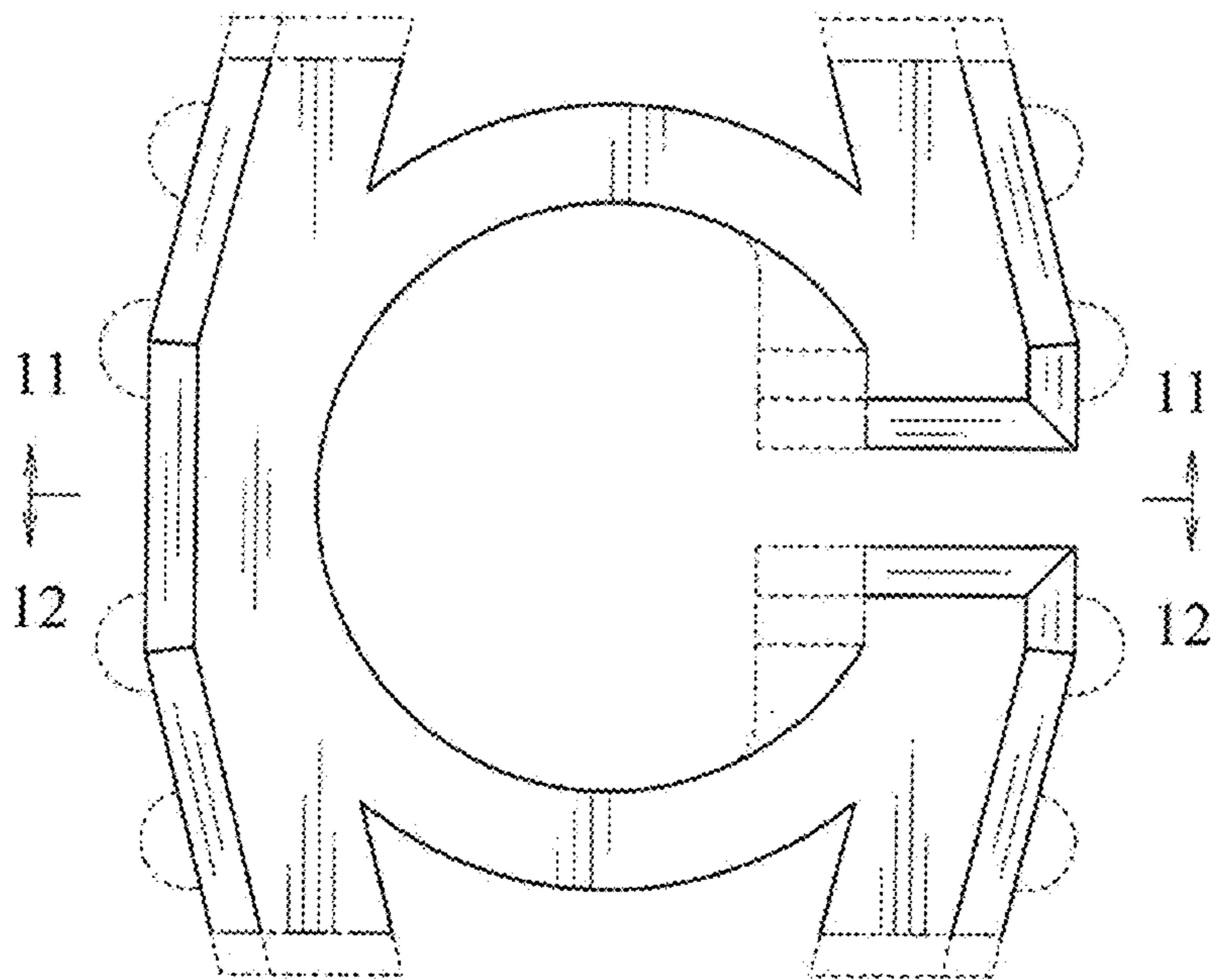


FIG. 10

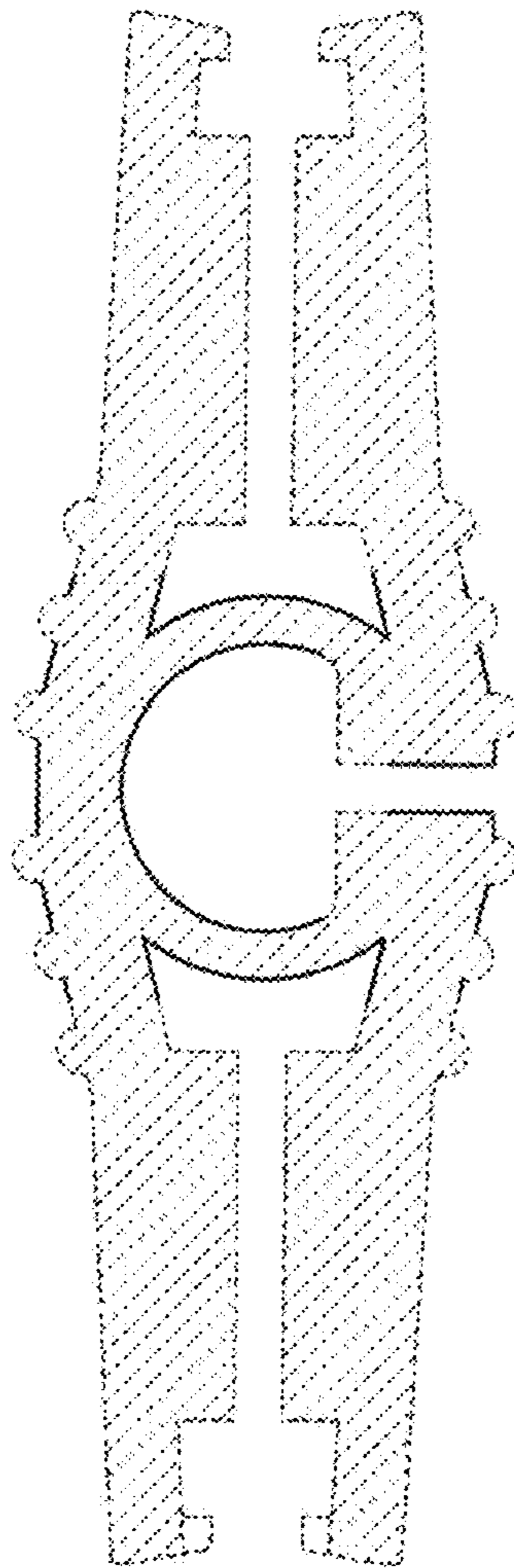


FIG. 11

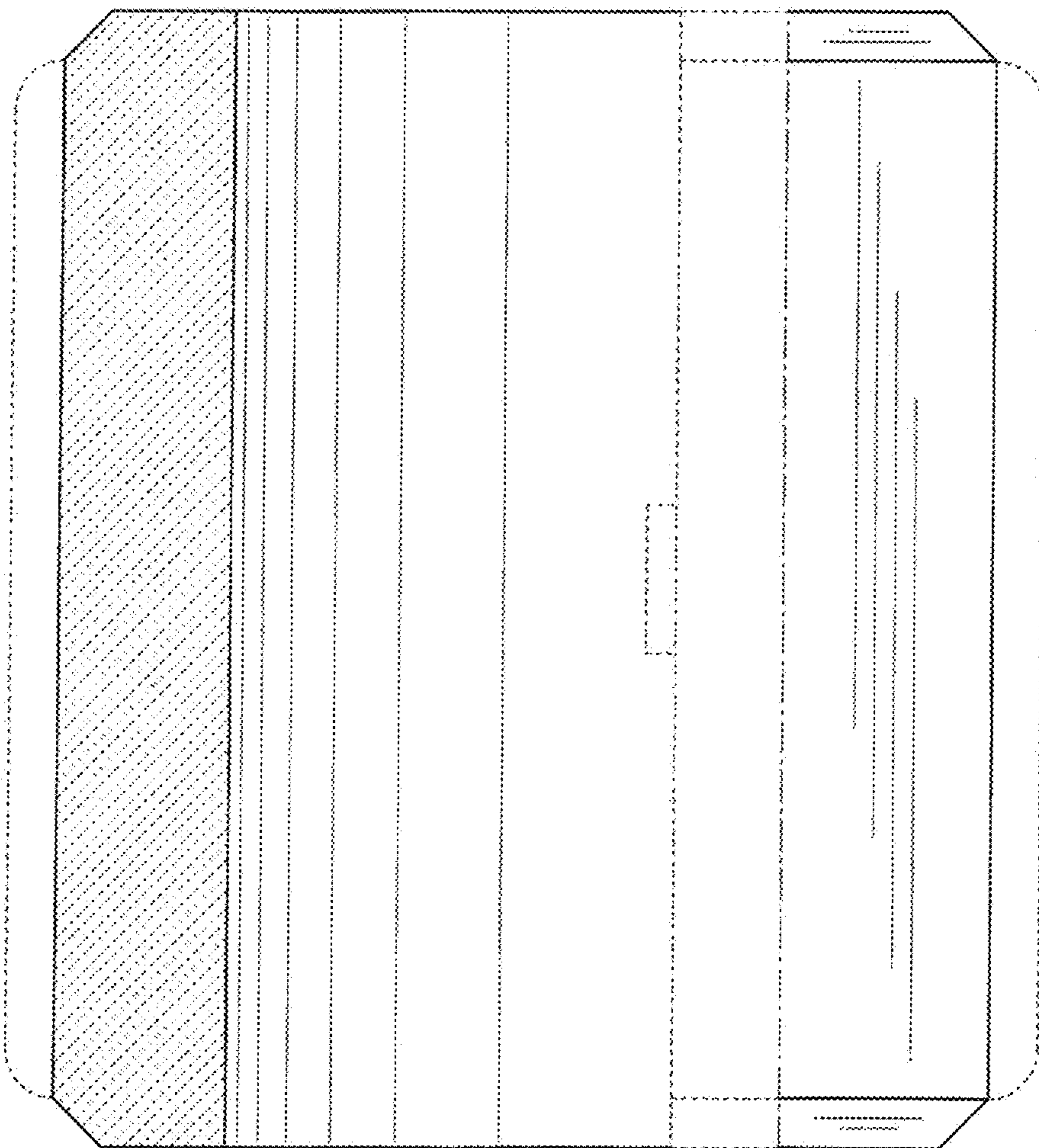


FIG. 12

