



US00D751358S

(12) **United States Design Patent**  
**Douglas et al.**

(10) **Patent No.:** **US D751,358 S**  
(45) **Date of Patent:** **\*\* Mar. 15, 2016**

- (54) **MASKING ARTICLE**
- (71) Applicant: **3M INNOVATIVE PROPERTIES COMPANY**, St. Paul, MN (US)
- (72) Inventors: **Malcolm F. Douglas**, Swansea (GB); **Stephen J. Hollowell**, Northampton (GB); **Martyn Hagedorn**, Swansea (GB); **Gary Brotherton**, Nuneaton (GB); **Philip S. Hill**, Coalville (GB)
- (73) Assignee: **3M INNOVATIVE PROPERTIES COMPANY**, Saint Paul, MN (US)
- (\*\*) Term: **14 Years**
- (21) Appl. No.: **29/484,283**
- (22) Filed: **Mar. 7, 2014**

3,443,007 A	5/1969	Hardy	
3,855,053 A	12/1974	Fuss	
3,869,832 A	3/1975	Atwater	
4,796,330 A *	1/1989	Ziegler	16/251
4,996,092 A	2/1991	Francis	
5,260,097 A	11/1993	Silvestre	
5,432,979 A *	7/1995	Harper	16/251
5,468,533 A *	11/1995	Lipson	428/41.7
5,658,632 A *	8/1997	Krabill	428/43
D390,405 S *	2/1998	Jung	D6/601
5,885,395 A *	3/1999	Western	156/247
6,337,127 B1	1/2002	Voss	
6,596,376 B1	7/2003	Bouic	
6,627,259 B1	9/2003	Jevons	
6,629,696 B1	10/2003	Voss	
6,630,227 B1	10/2003	Himmelsbach	
6,759,089 B2	7/2004	Bastow	
6,797,361 B2	9/2004	Bouic	

(Continued)

**Related U.S. Application Data**

- (63) Continuation of application No. 11/937,910, filed on Nov. 9, 2007, now abandoned.
- (51) **LOC (10) Cl.** ..... **08-05**
- (52) **U.S. Cl.**  
USPC ..... **D8/14; D25/122**
- (58) **Field of Classification Search**  
USPC ..... D25/121, 119, 136, 164; D8/14;  
D6/601; D32/40, 41, 42  
CPC ..... B05B 15/0456; B05B 15/0462; B05B  
15/0468; B05B 15/0481; Y10T 428/24479  
See application file for complete search history.

**References Cited**

**U.S. PATENT DOCUMENTS**

1,960,137 A	5/1934	Brown	
2,217,999 A *	10/1940	De Woskin	5/484
2,994,110 A	8/1961	Hardy	
3,123,656 A	3/1964	Rochlin	
3,262,827 A	7/1966	Kallander	

**FOREIGN PATENT DOCUMENTS**

DE	1479900	6/1969
DE	29601846	3/1996

(Continued)

*Primary Examiner* — Phillip S Hyder

(74) *Attorney, Agent, or Firm* — Aleksander Medved

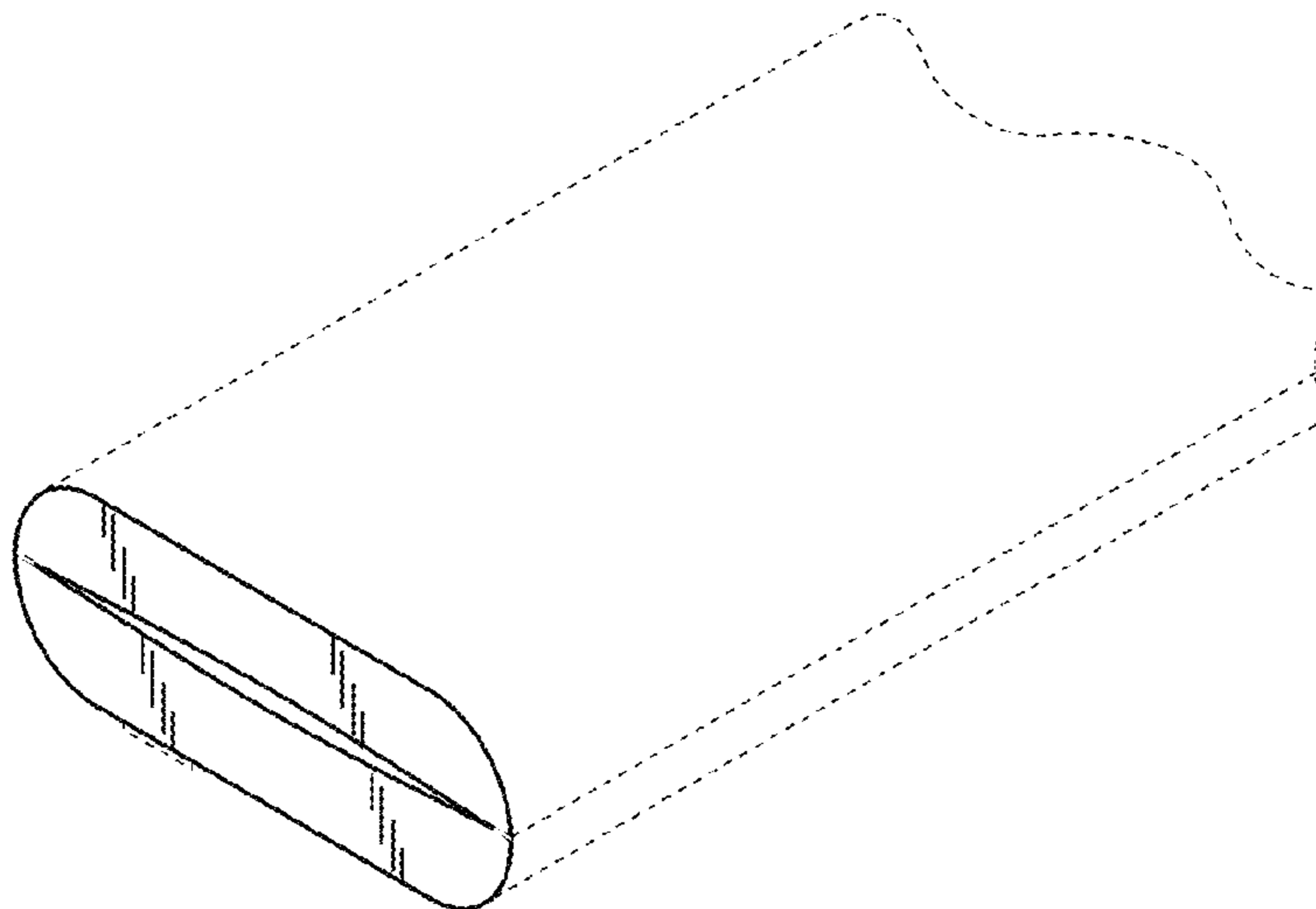
(57) **CLAIM**

The ornamental design for a masking article, as shown and described.

**DESCRIPTION**

FIG. 1 is a perspective view of a masking article embodying the new design;  
 FIG. 2 is a front elevation view of thereof;  
 FIG. 3 is a right side elevation view thereof, the left side elevation view being a mirror image; and,  
 FIG. 4 is a top plan view thereof, the bottom plan view being a mirror image.  
 The broken lines depict portions of the masking article in which the design is embodied that are not considered part of the claimed design.

**1 Claim, 1 Drawing Sheet**



(56)

**References Cited**

U.S. PATENT DOCUMENTS

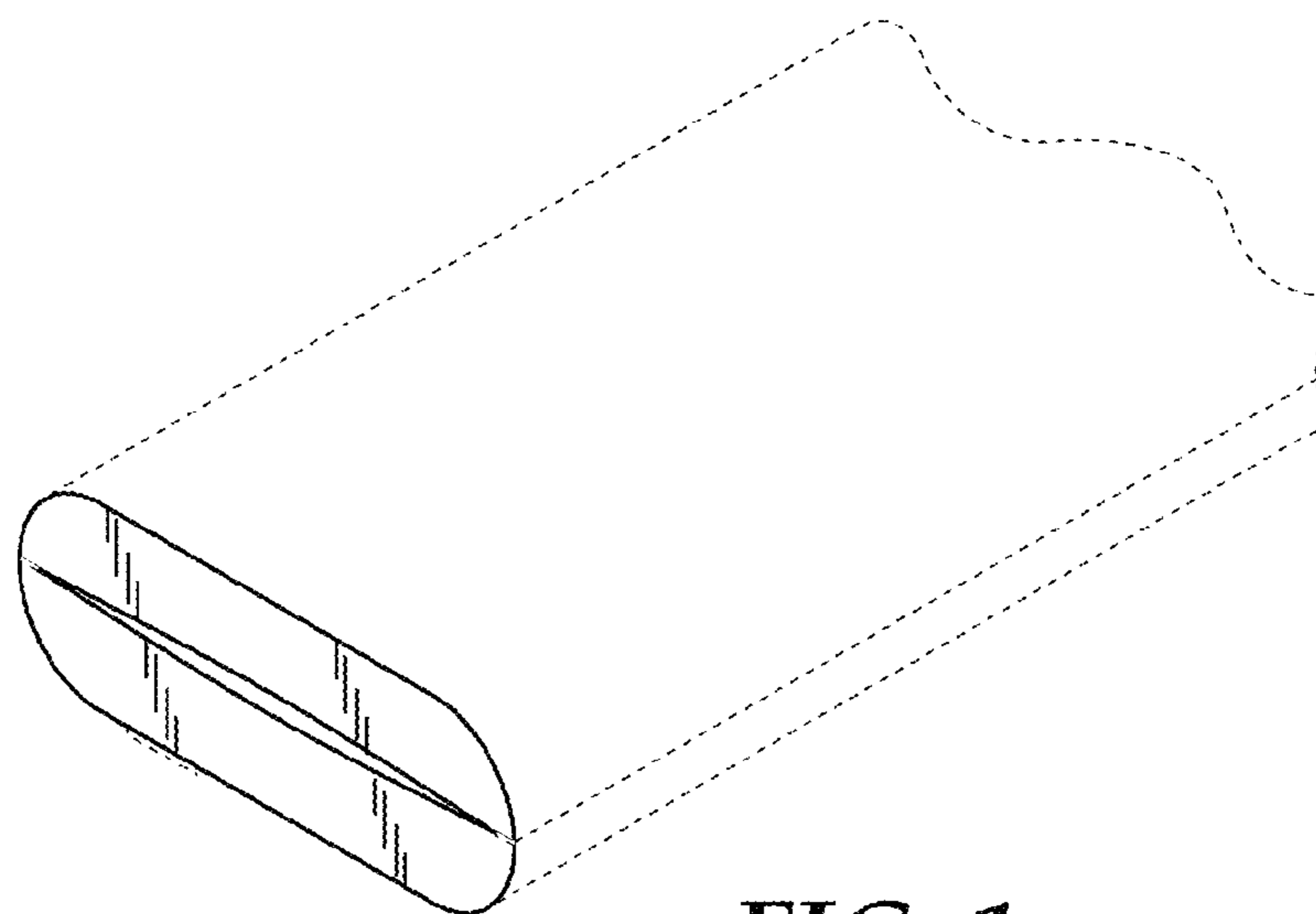
D507,920 S *	8/2005	Mack .....	D6/601
D508,570 S *	8/2005	Bouic .....	D25/121
D583,204 S *	12/2008	Creswell .....	D8/14
D593,277 S *	6/2009	Wylie .....	D1/199
7,818,926 B2 *	10/2010	Liu .....	52/204.1
D626,392 S *	11/2010	Amodeo .....	D8/19
8,399,058 B2	3/2013	Eliaison	
D702,972 S *	4/2014	Busch .....	D6/601
2004/0109984 A1 *	6/2004	Bouic .....	428/156
2004/0238985 A1	12/2004	Beckord	
2005/0006021 A1	1/2005	Bouic	
2010/0139858 A1	6/2010	Douglas	

FOREIGN PATENT DOCUMENTS

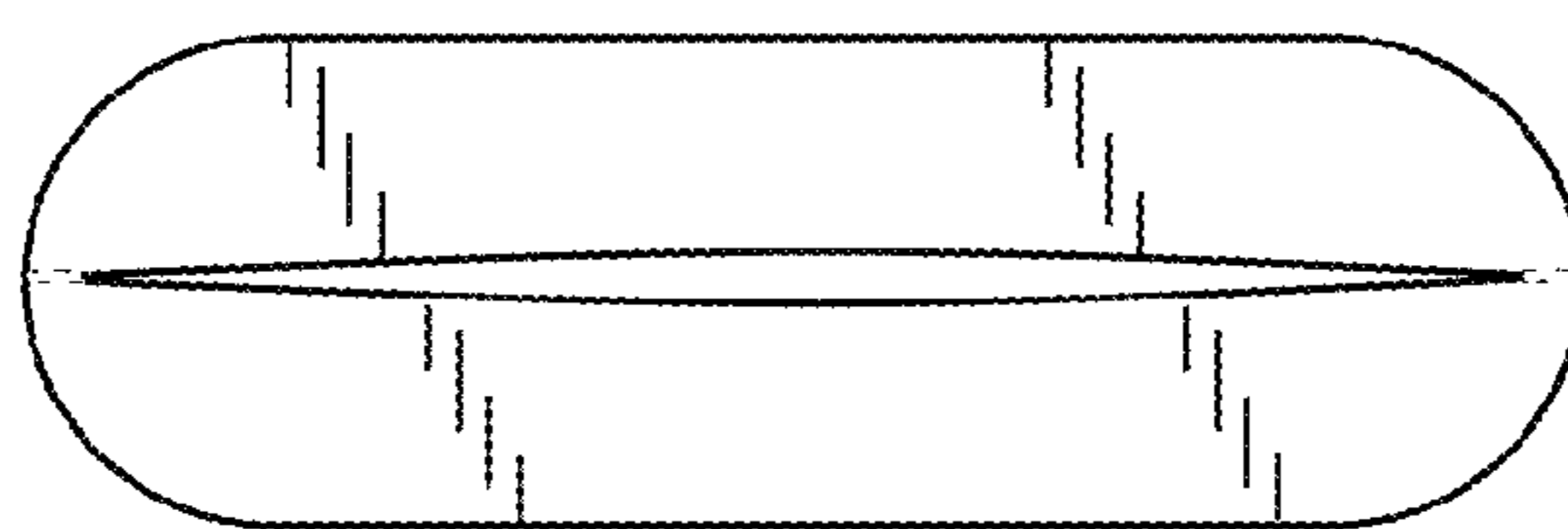
DE	29917446	1/2000
EP	0384626	8/1990
EP	0669197	8/1995
EP	0676246	10/1995
EP	0724001	3/1999
EP	0745000	4/2001
FR	2802125	6/2001
SU	839592	6/1981
SU	1553190	3/1990
WO	99/12654	3/1999
WO	99/46056	9/1999
WO	02/068556	9/2002
WO	02/083322	10/2002
WO	02/083392	10/2002
WO	03/020438	3/2003
WO	2005/110905	11/2005
WO	2008/060939	5/2008

DE            29608636            9/1997

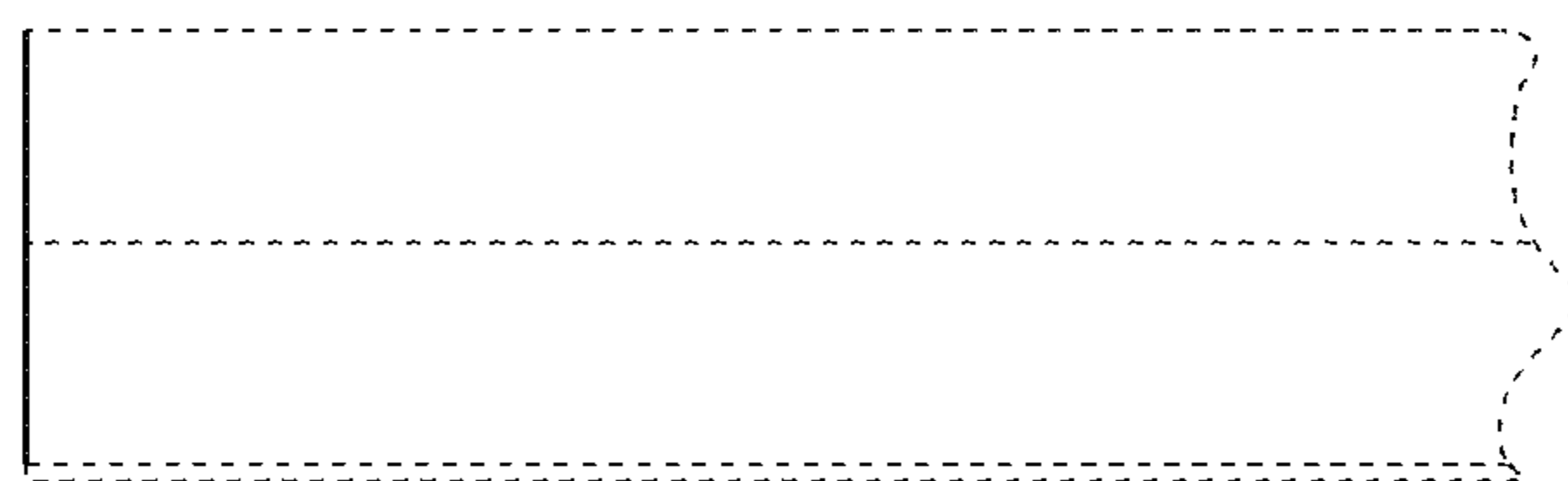
\* cited by examiner



**FIG. 1**



**FIG. 2**



**FIG. 3**



**FIG. 4**