



US00D751357S

(12) **United States Design Patent**  
**Eisele**

(10) **Patent No.:** **US D751,357 S**  
(45) **Date of Patent:** **\*\* Mar. 15, 2016**

(54) **GRIP DEVICE FOR HANDLING WORK  
PIECES**

(71) Applicant: **J. Schmalz GmbH**, Glatten (DE)

(72) Inventor: **Thomas Eisele**, Alpirsbach-Peterzell  
(DE)

(73) Assignee: **J. SCHMALZ GMBH**, Glatten (DE)

(\*\*) Term: **14 Years**

(21) Appl. No.: **29/472,500**

(22) Filed: **Nov. 13, 2013**

(30) **Foreign Application Priority Data**

Jul. 24, 2013 (EM) ..... 002279943-0001

(51) **LOC (10) Cl.** ..... **08-05**

(52) **U.S. Cl.**  
USPC ..... **D8/14**

(58) **Field of Classification Search**  
USPC ..... D8/14, 349; D15/28; D23/266, 262;  
D32/32  
CPC ..... B65G 47/90; B65G 47/91  
See application file for complete search history.

(56) **References Cited**

**U.S. PATENT DOCUMENTS**

3,005,652 A \* 10/1961 Helm ..... 294/189  
D235,104 S \* 5/1975 Maroschak ..... D23/266

D356,858 S \* 3/1995 Folkman ..... D23/266  
6,382,692 B1 \* 5/2002 Schmalz et al. .... 294/189  
D589,327 S \* 3/2009 Carnevali ..... D8/354  
D590,696 S \* 4/2009 Carnevali ..... D8/354  
D599,192 S \* 9/2009 Andren et al. .... D8/354  
D617,627 S \* 6/2010 Tawil ..... D8/349  
7,992,908 B2 \* 8/2011 Finck ..... 294/187  
8,011,706 B2 \* 9/2011 Schmidt et al. .... 294/2  
8,534,633 B2 \* 9/2013 Tell ..... 248/363  
D699,320 S \* 2/2014 Wyne ..... D23/213  
D713,943 S \* 9/2014 Luke ..... D23/262  
D714,126 S \* 9/2014 Pyon et al. .... D8/349

\* cited by examiner

*Primary Examiner* — Phillip S Hyder

(74) *Attorney, Agent, or Firm* — Henry M. Feiereisen LLC;  
Ursula B. Day

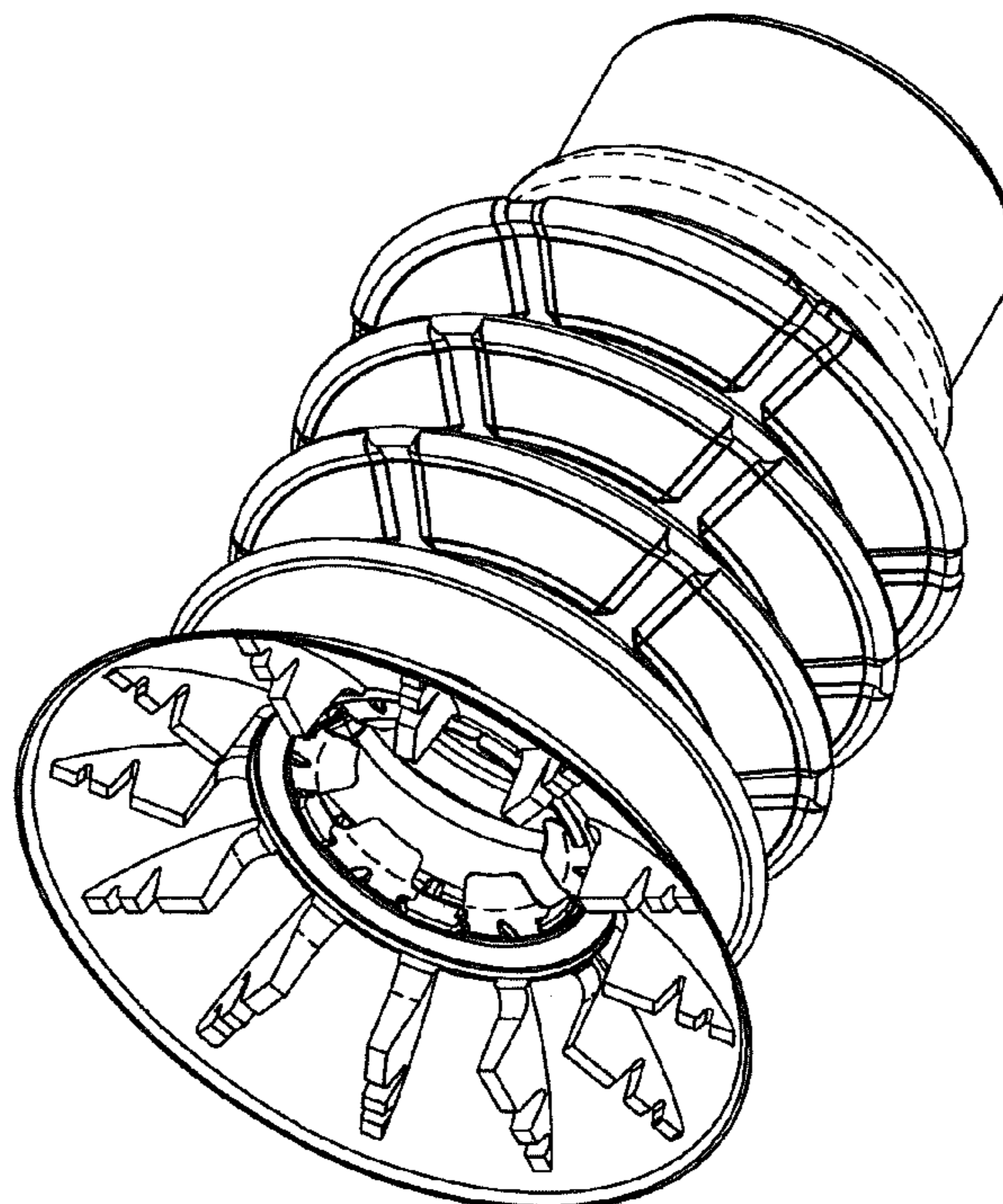
(57) **CLAIM**

The ornamental design for a grip device for handling work pieces, as shown and described.

**DESCRIPTION**

FIG. 1 is a front elevational view of a grip device for handling work pieces showing my new design, the rear elevational view being a mirror image thereof;  
FIG. 2 is top plan view thereof;  
FIG. 3 is a bottom plan view thereof; and,  
FIG. 4 is a bottom front perspective view thereof.  
The broken lines depict portions of the grip device in which the design is embodied that are not considered part of the claimed design.

**1 Claim, 4 Drawing Sheets**



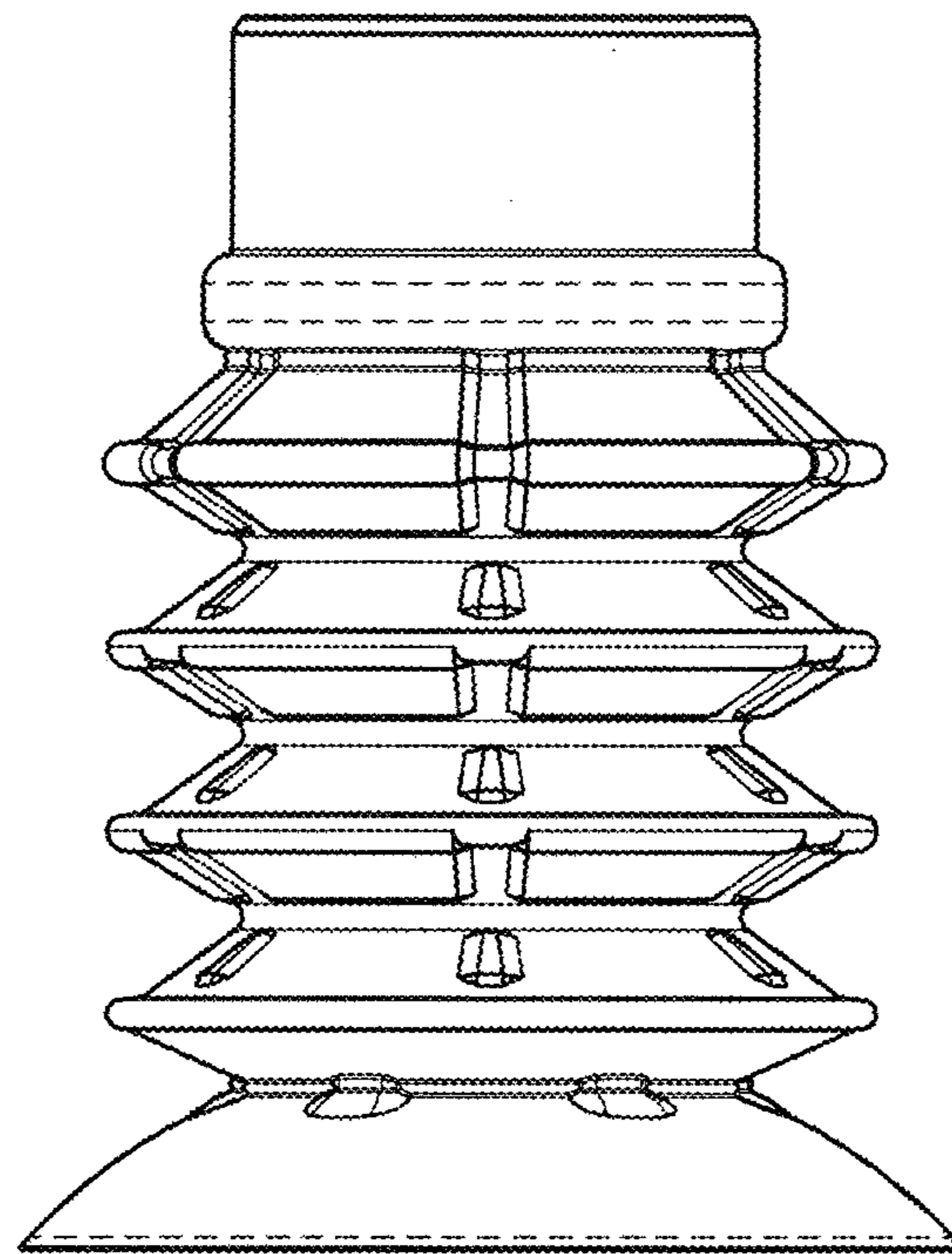


Fig. 1

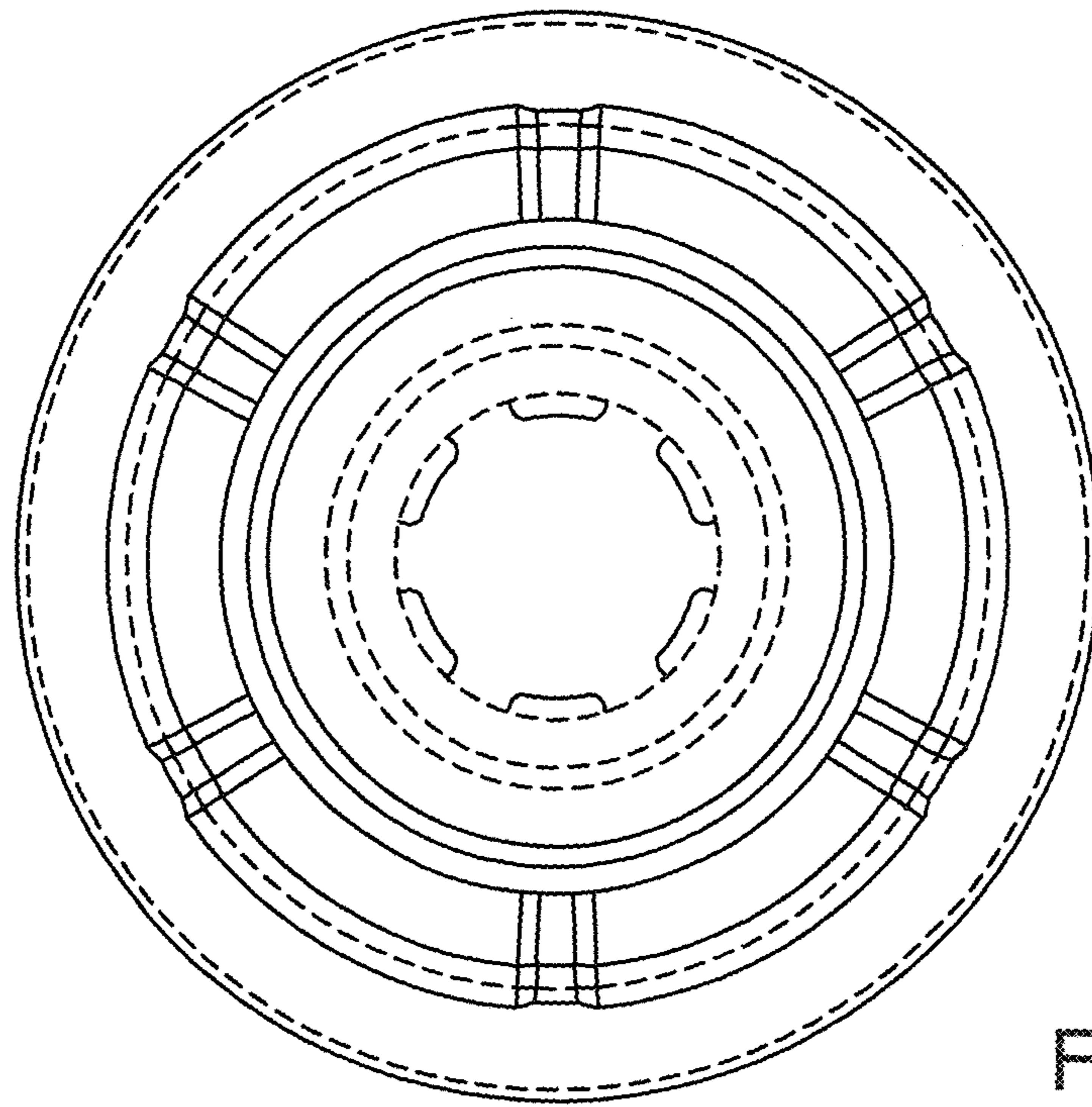


Fig. 2

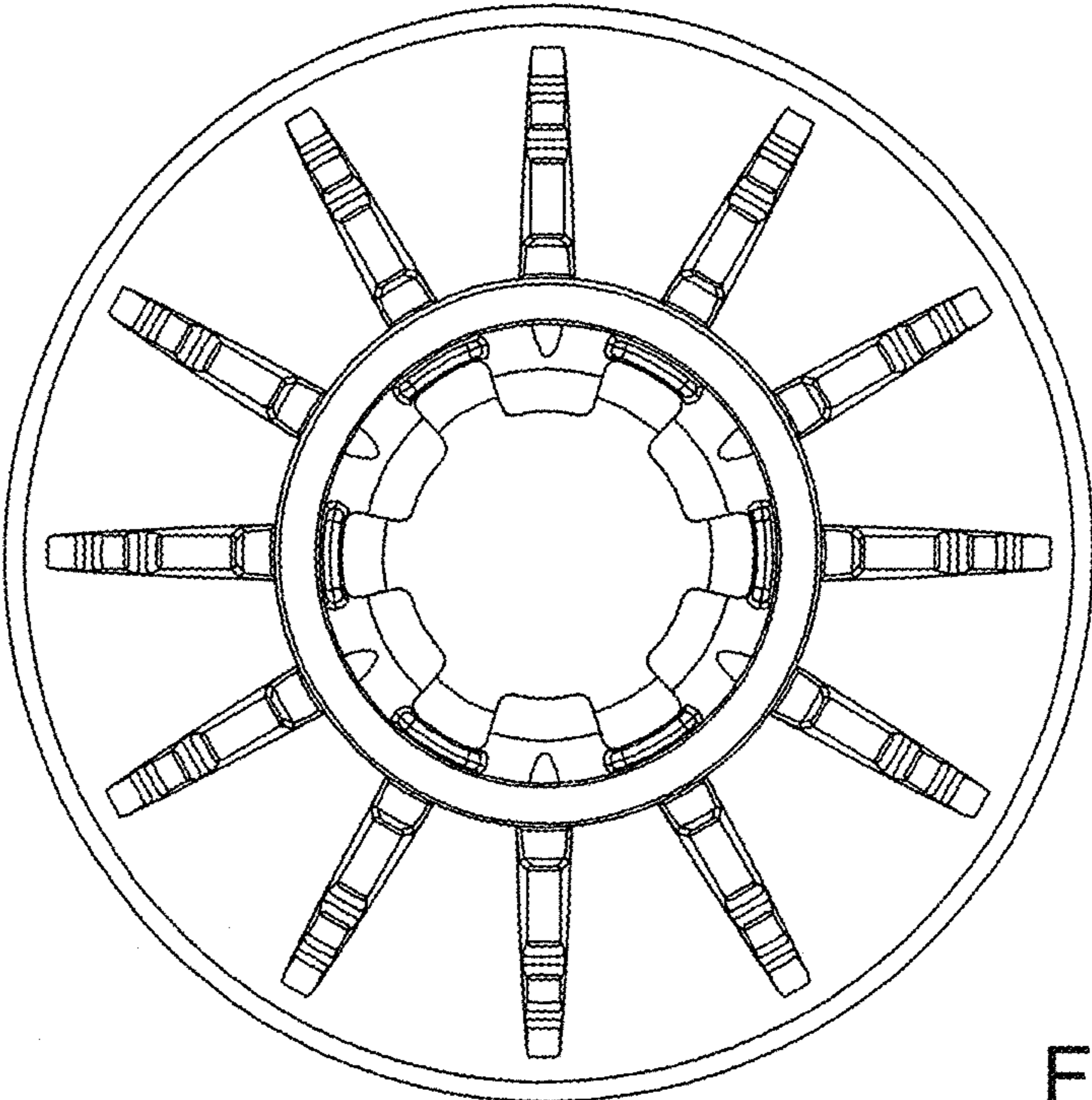


Fig. 3

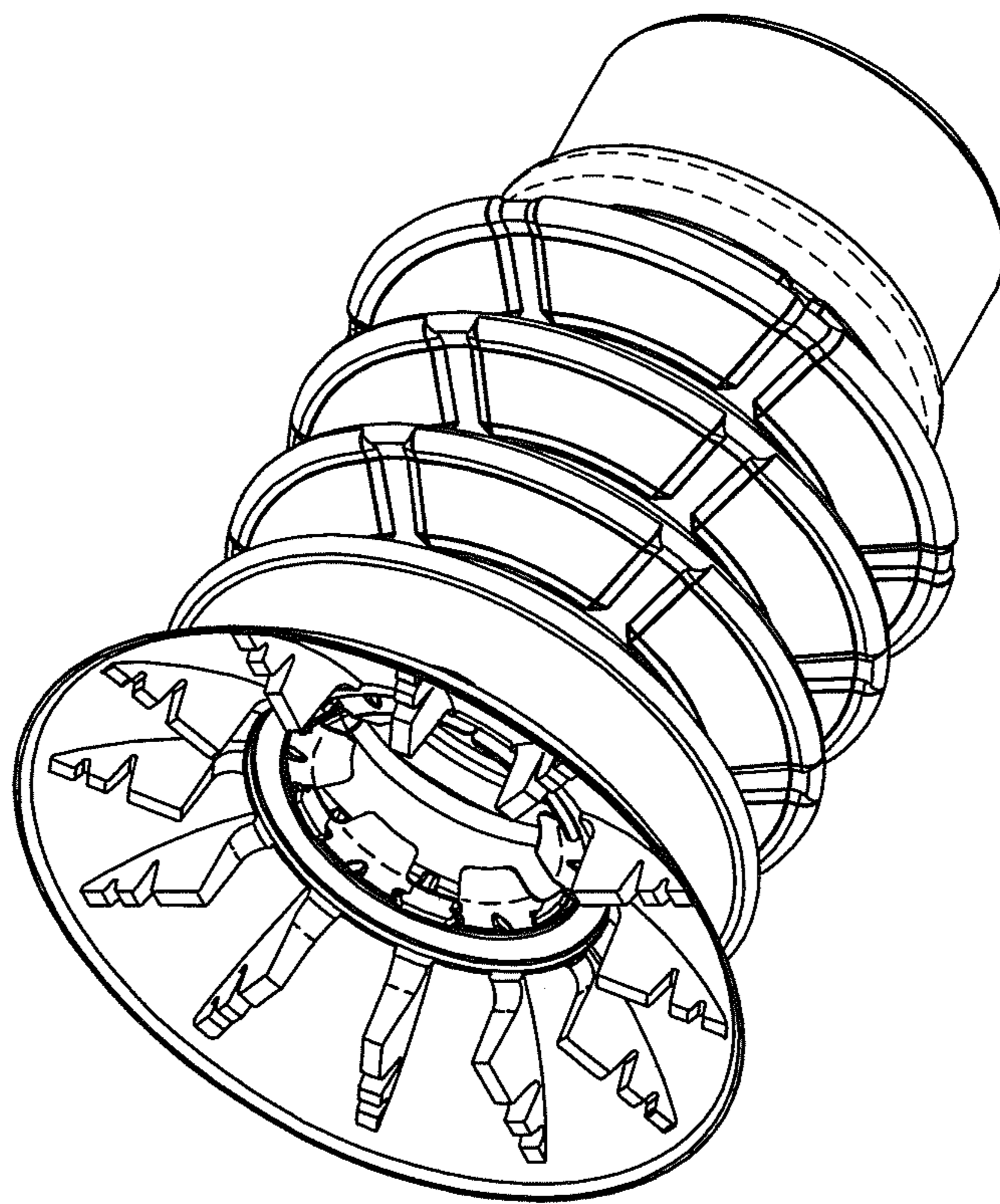


Fig. 4