



US00D751356S

(12) **United States Design Patent**
Carl et al.

(10) **Patent No.:** **US D751,356 S**
(45) **Date of Patent:** **** Mar. 15, 2016**

- (54) **STRING TRIMMER**
- (71) Applicant: **Sears Brands, L.L.C.**, Hoffman Estates, IL (US)
- (72) Inventors: **Ross Carl**, River Forest, IL (US);
Nicholas Dane Suchoza, Huntersville, NC (US)
- (73) Assignee: **Sears Brands, L.L.C.**, Hoffman Estates, IL (US)
- (**) Term: **14 Years**
- (21) Appl. No.: **29/498,521**
- (22) Filed: **Aug. 5, 2014**

Related U.S. Application Data

- (63) Continuation of application No. 29/467,407, filed on Sep. 18, 2013, now Pat. No. Des. 710,161.
- (51) **LOC (10) Cl.** **08-01**
- (52) **U.S. Cl.**
USPC **D8/8**
- (58) **Field of Classification Search**
USPC D8/7, 8, 9; D15/1, 17
CPC A01G 3/00; A01G 3/053; B27B 17/00;
B27B 17/08; B27B 17/0008; B25F 5/02;
Y10T 83/9324; A01D 34/4161; A01D 34/416;
A01D 34/84; A01D 34/90
See application file for complete search history.

(56) **References Cited**

U.S. PATENT DOCUMENTS

- D349,220 S * 8/1994 Griffin D8/8
- D368,005 S * 3/1996 Lemcke D8/8

- D547,143 S * 7/2007 Evans et al. D8/8
- D580,719 S * 11/2008 Baxter D8/8
- D656,371 S * 3/2012 Sweeney D8/8
- D675,074 S * 1/2013 Baxter D8/8
- D710,161 S * 8/2014 Carl et al. D8/8
- D716,621 S * 11/2014 Tate et al. D8/8
- D723,889 S * 3/2015 Tate et al. D8/8
- 2007/0068008 A1* 3/2007 Wu et al. 30/276
- 2013/0031788 A1* 2/2013 Ohno 30/276

* cited by examiner

Primary Examiner — Sheryl Lane

Assistant Examiner — Ieisha Price

(74) *Attorney, Agent, or Firm* — McAndrews Held & Malloy, Ltd.

(57) **CLAIM**

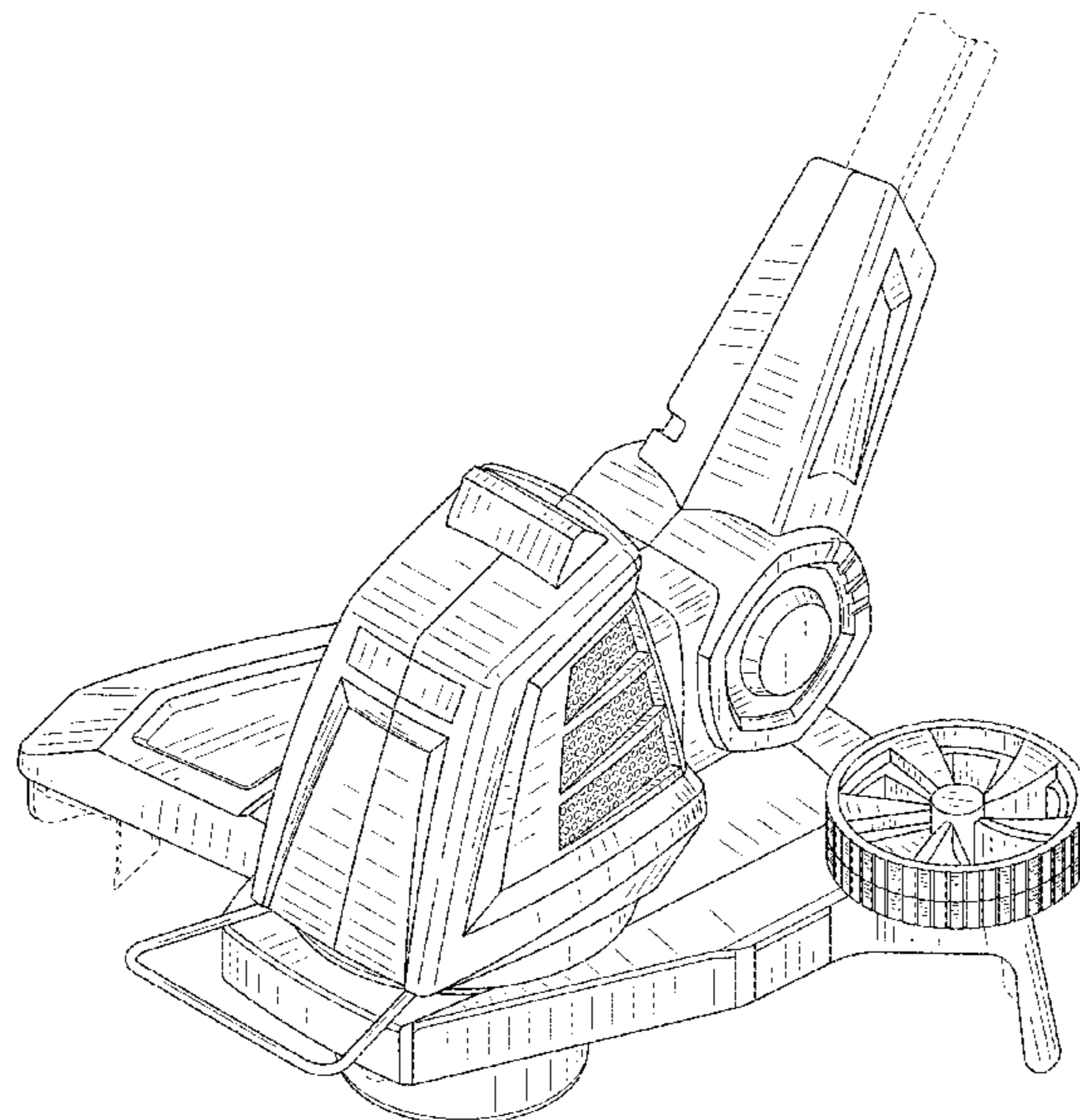
The ornamental design for a string trimmer, as shown and described.

DESCRIPTION

FIG. 1 is a top right front perspective view of a string trimmer showing our new design;
 FIG. 2 is an enlarged top right front perspective view thereof;
 FIG. 3 is an enlarged front elevation view thereof;
 FIG. 4 is an enlarged rear elevation view thereof;
 FIG. 5 is an enlarged left-side elevation view thereof;
 FIG. 6 is an enlarged right-side elevation view thereof;
 FIG. 7 is an enlarged top plan view thereof;
 FIG. 8 is an enlarged bottom plan view thereof; and,
 FIG. 9 is an enlarged bottom left rear perspective view thereof.

The broken lines in the drawings illustrate portions of the string trimmer and form no part of the claimed design.

1 Claim, 9 Drawing Sheets



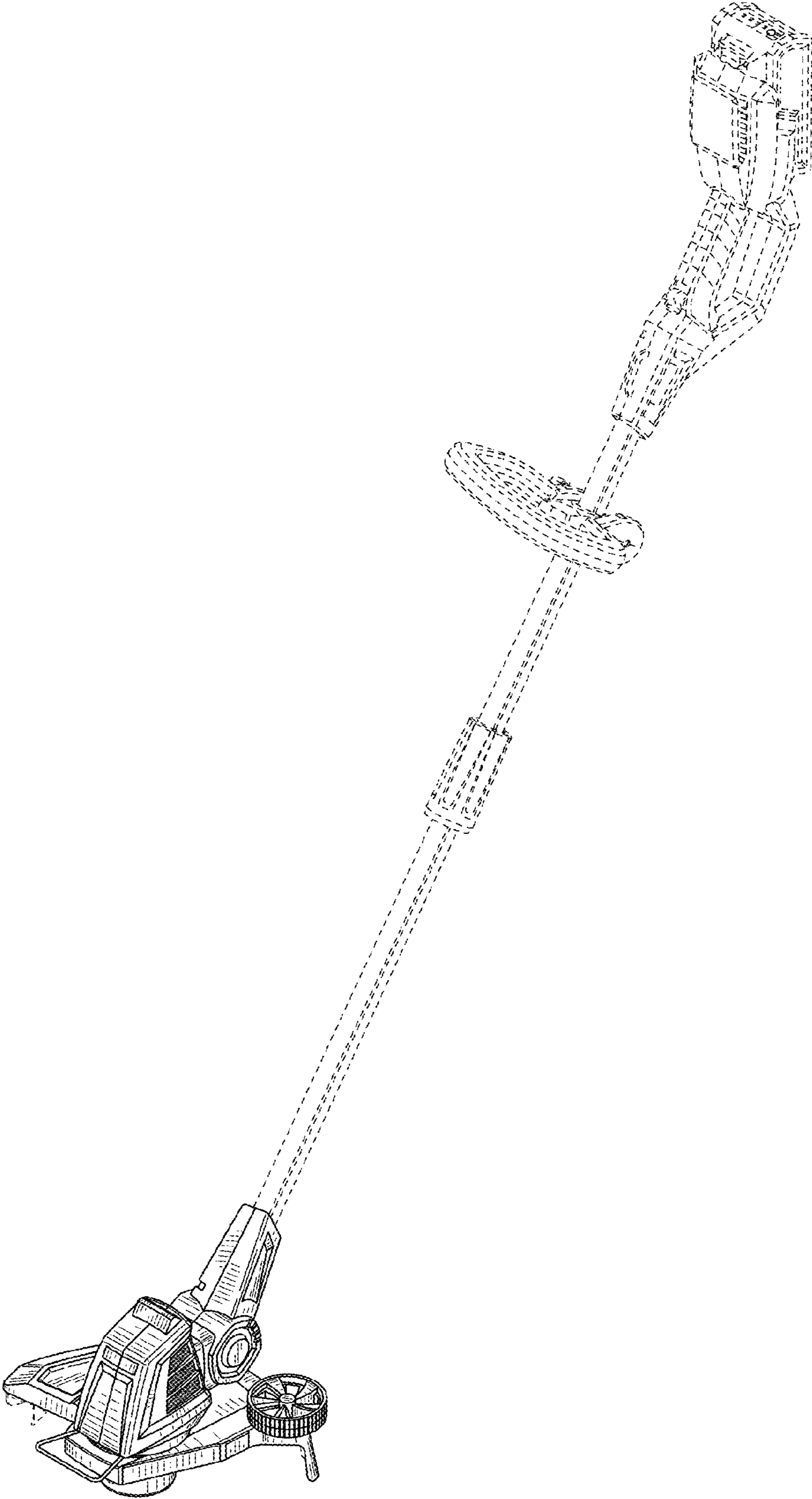


FIG. 1

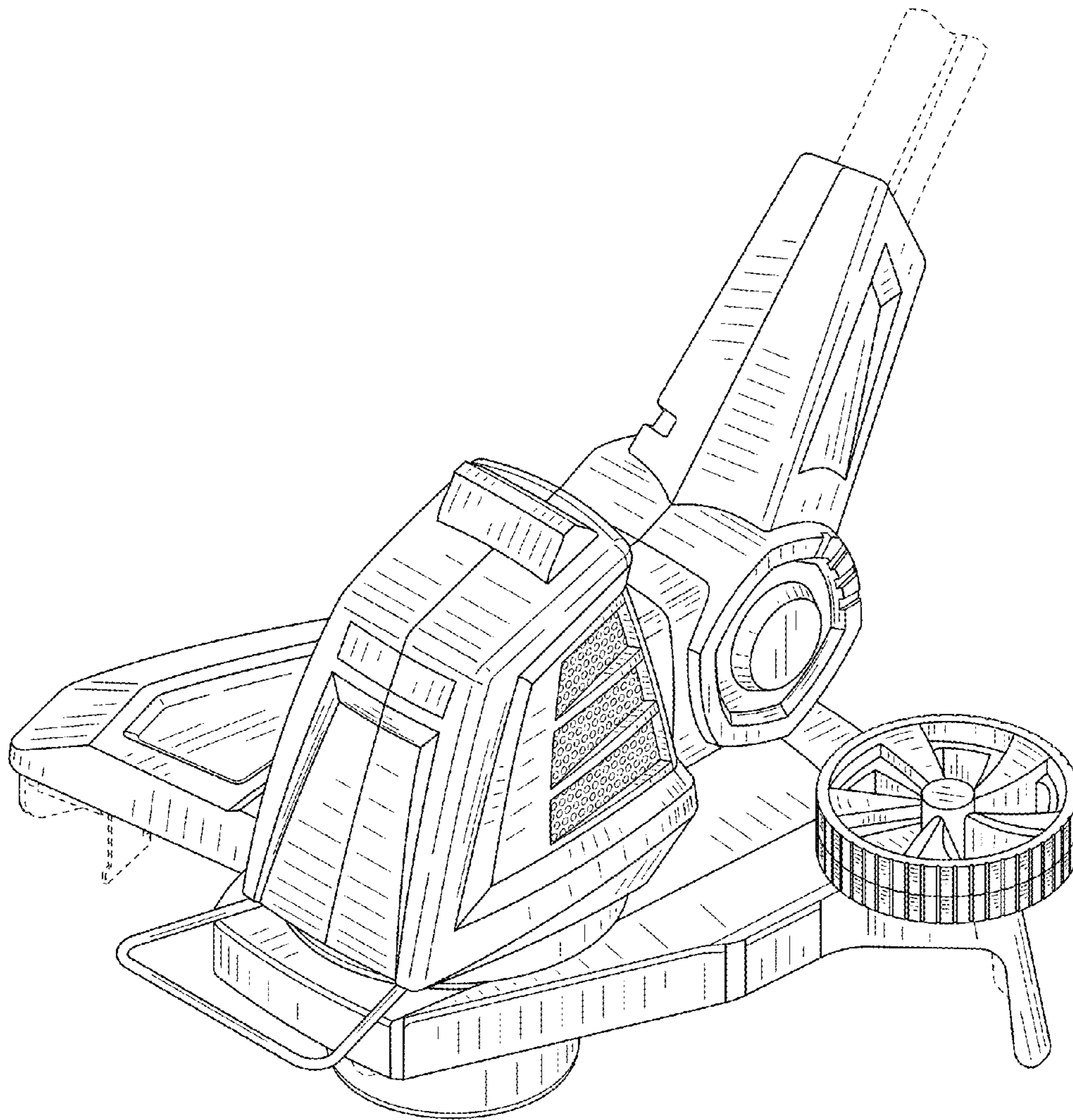


FIG. 2

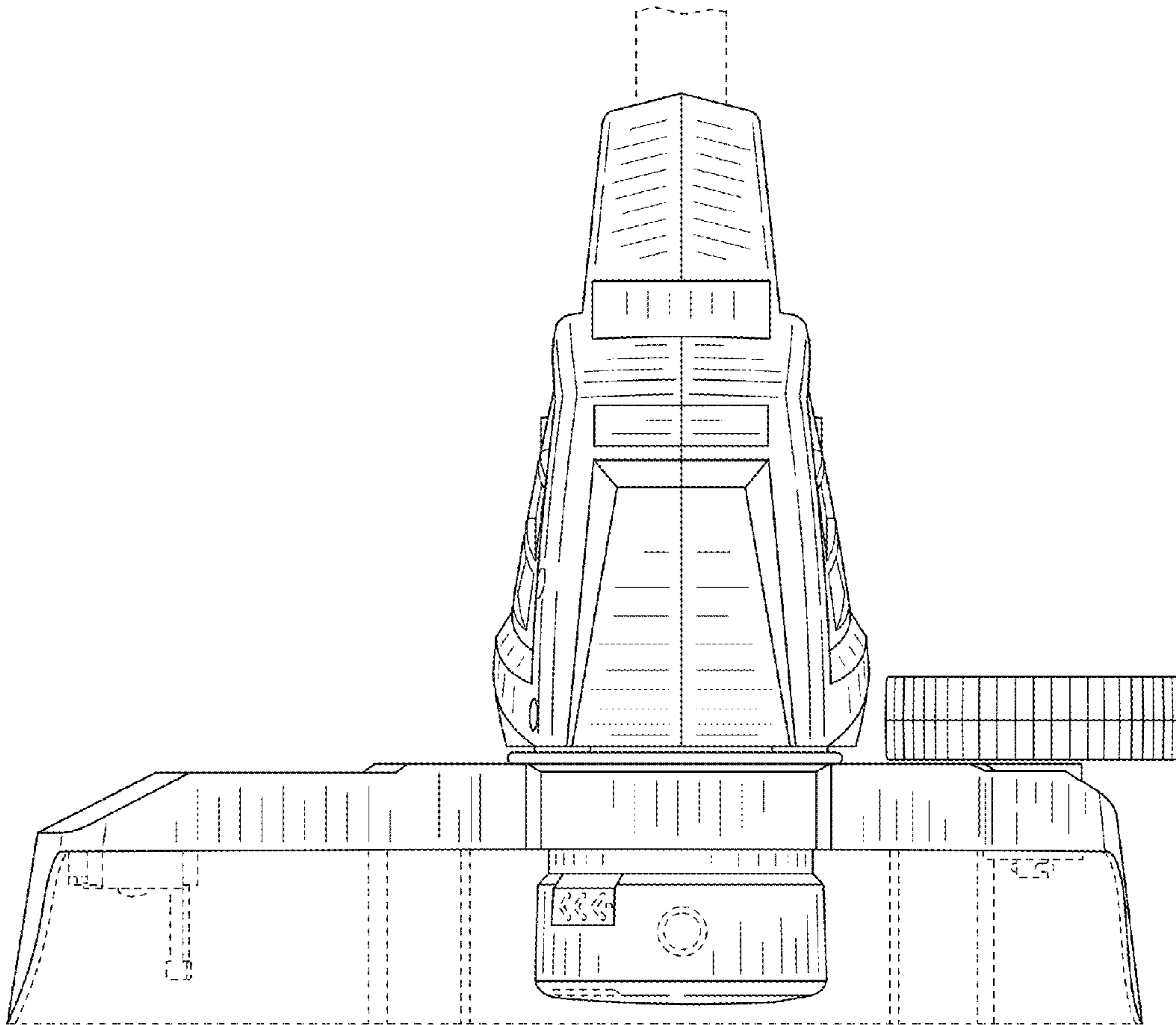


FIG. 3

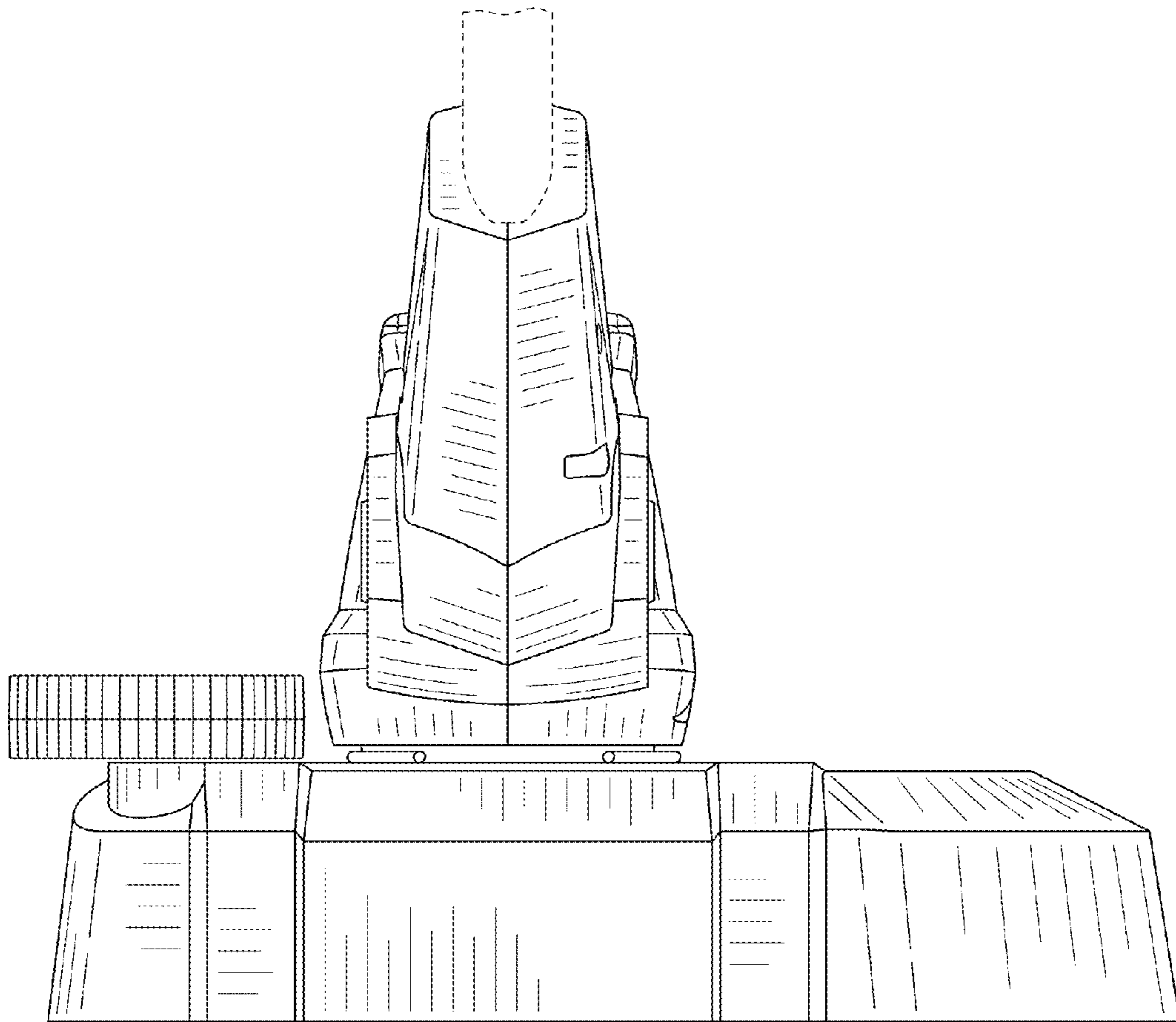


FIG. 4

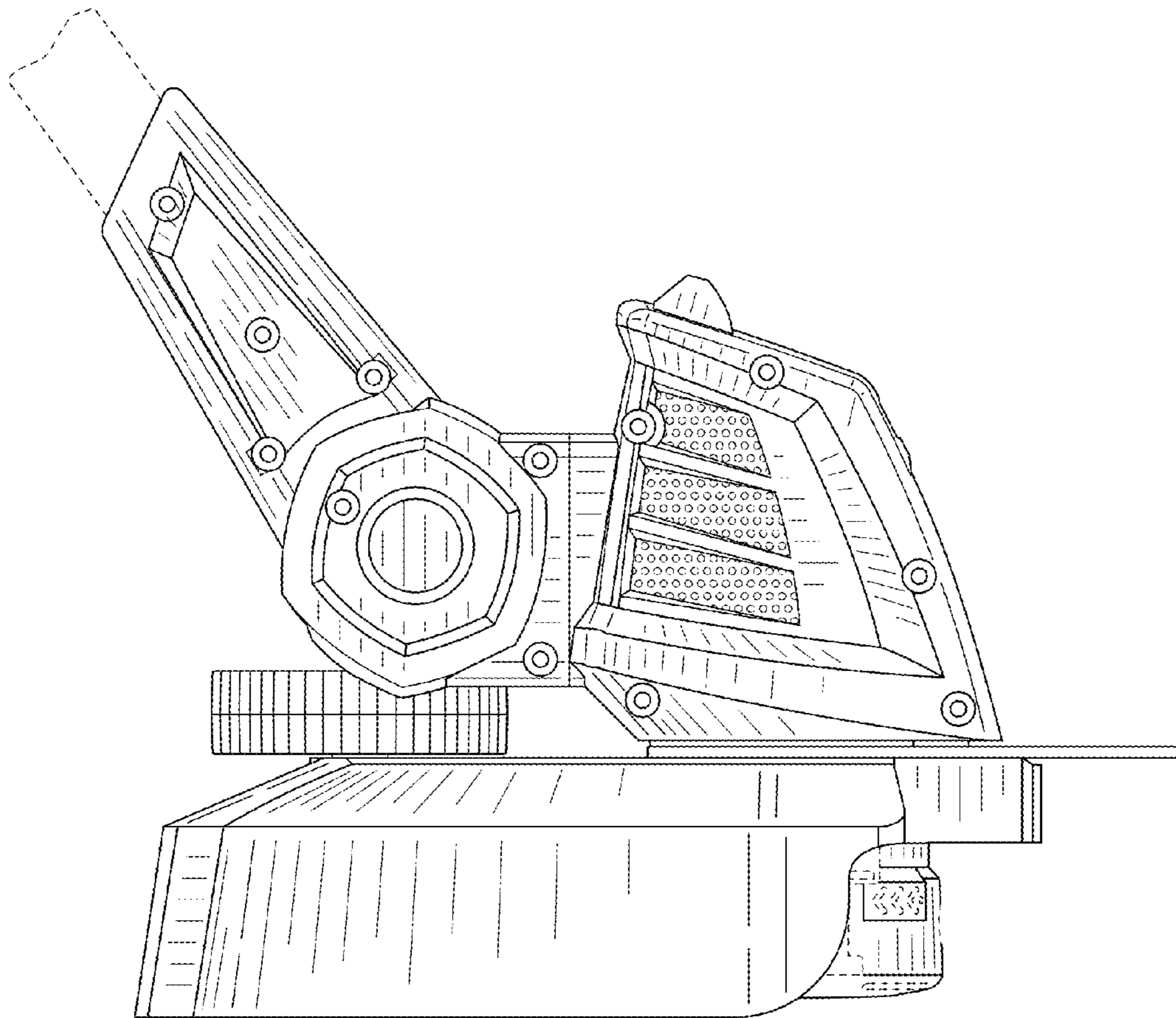


FIG. 5

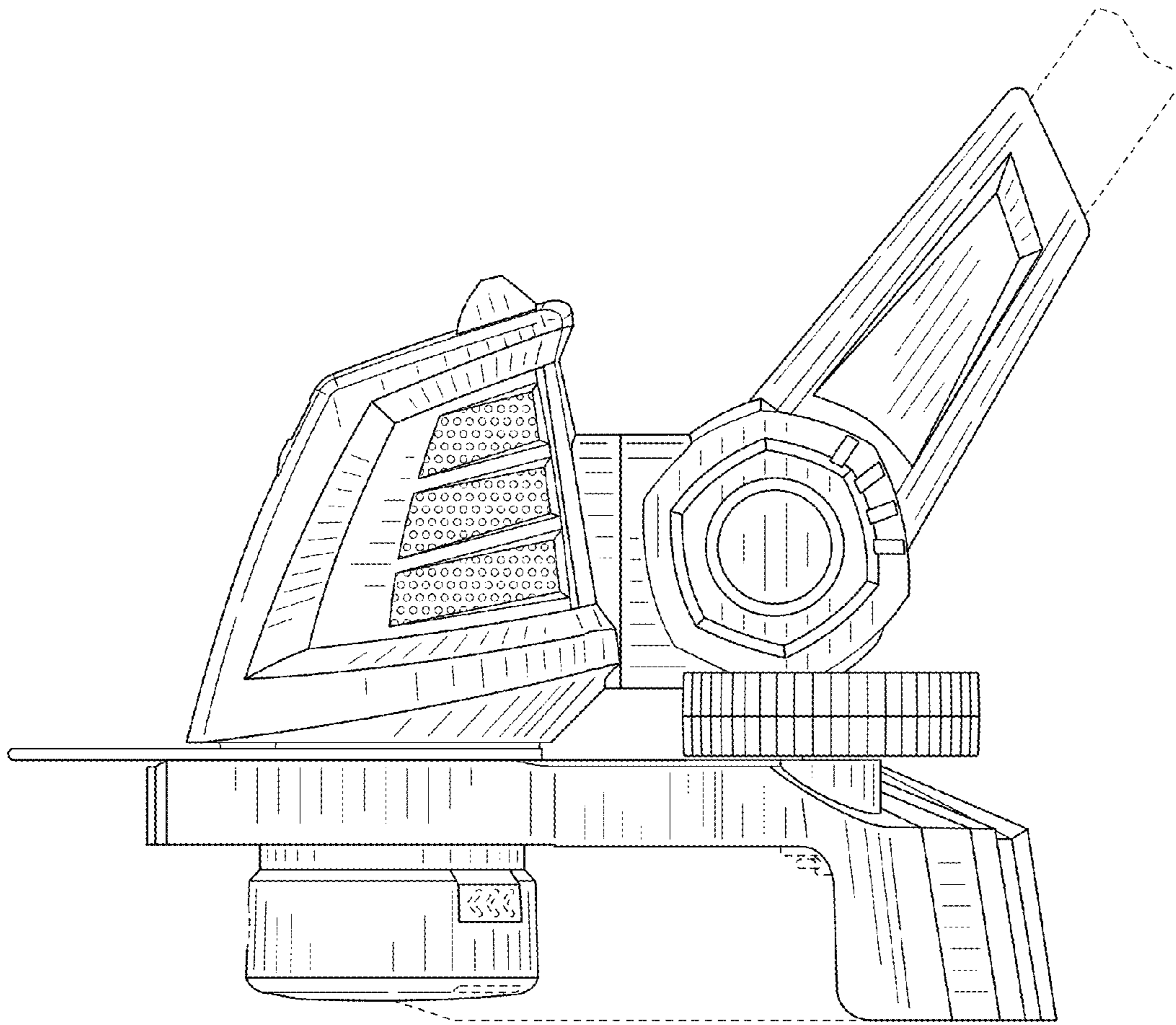


FIG. 6

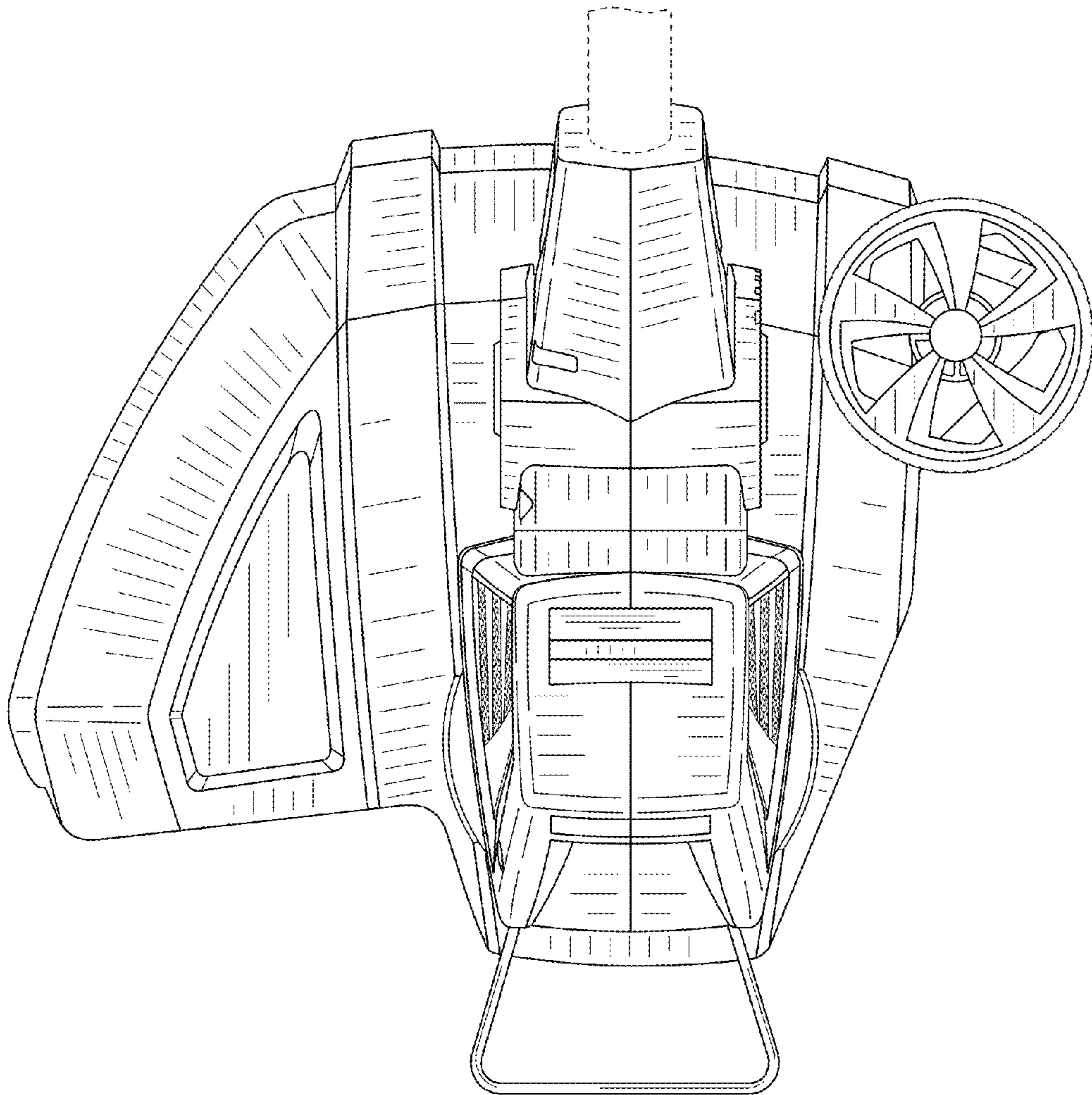


FIG. 7

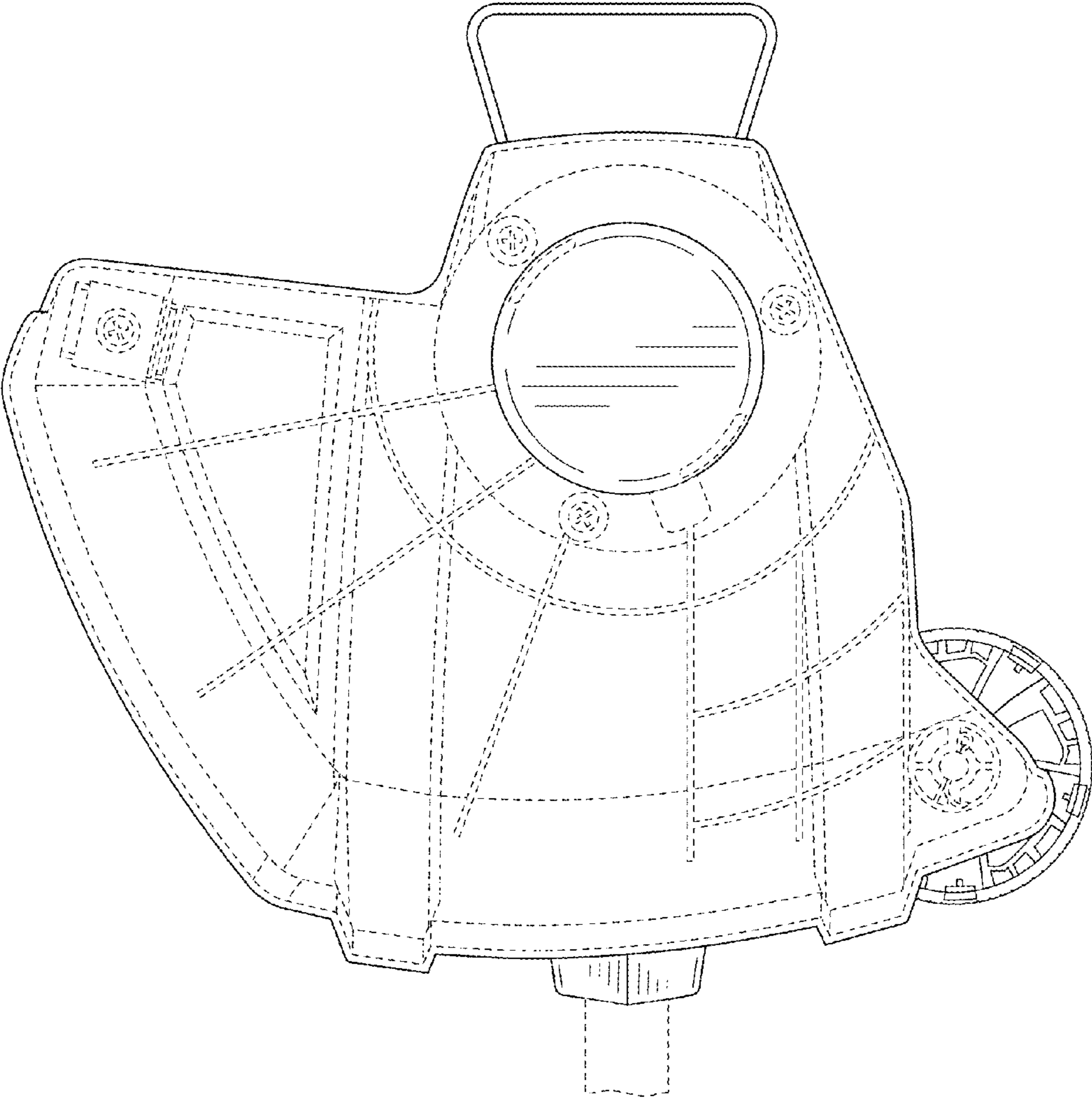


FIG. 8

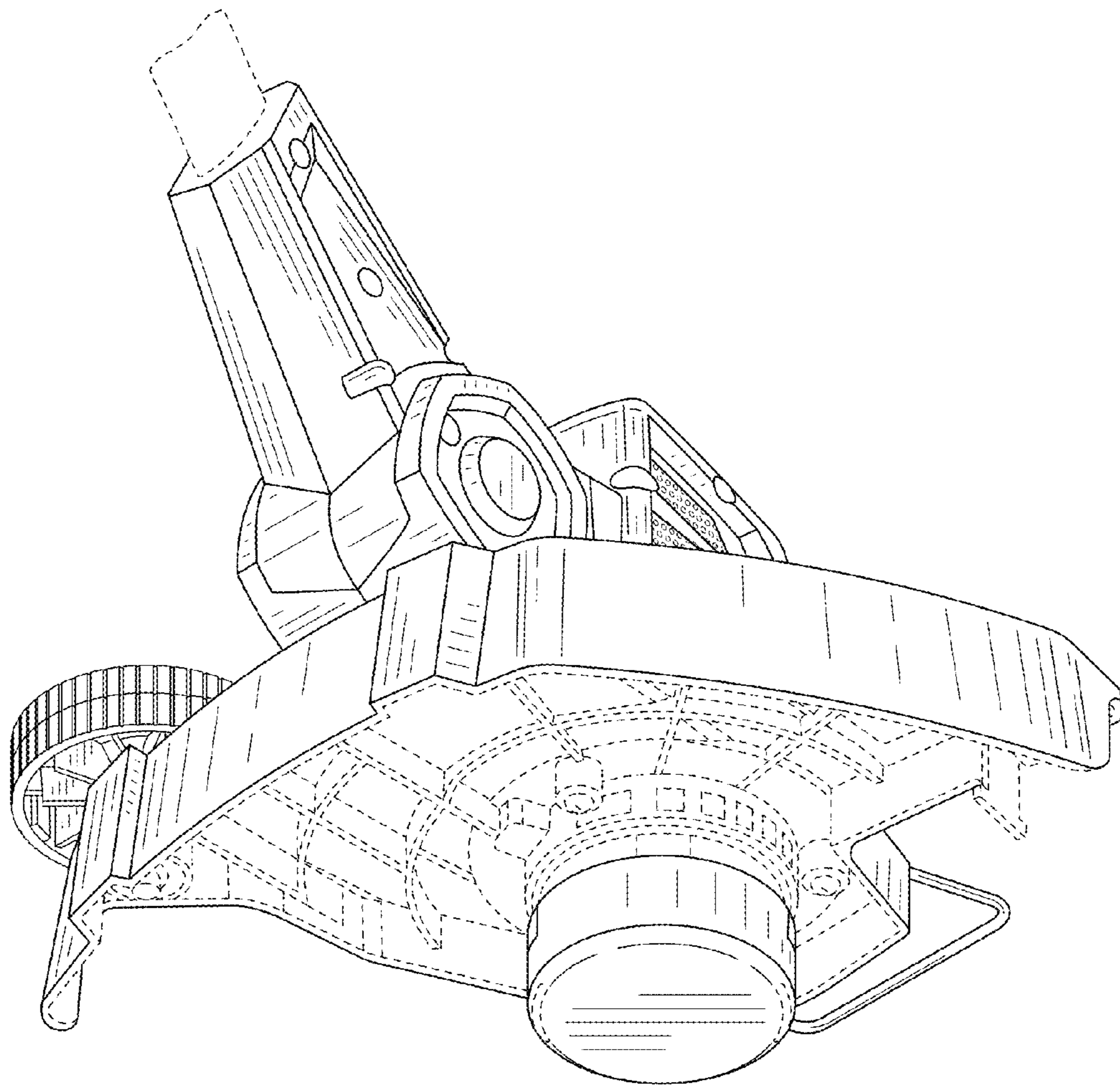


FIG. 9