



US00D751354S

(12) **United States Design Patent**
De Leo

(10) **Patent No.:** **US D751,354 S**
(45) **Date of Patent:** **** Mar. 15, 2016**

(54) **SLOTTED SCOOP AND MASHER**
(71) Applicant: **Dart Industries Inc.**, Orlando, FL (US)
(72) Inventor: **Anthony M. De Leo**, Portage, MI (US)
(73) Assignee: **Dart Industries Inc.**, Orlando, FL (US)
(**) Term: **14 Years**

(21) Appl. No.: **29/504,783**
(22) Filed: **Oct. 9, 2014**
(51) **LOC (10) Cl.** **07-02**
(52) **U.S. Cl.**
USPC **D7/692**; D7/682
(58) **Field of Classification Search**
USPC D7/688, 692, 667, 691, 682; D21/722,
D21/724
CPC A47J 43/288; A47J 43/283; A47J 43/281;
A47J 43/284; A47J 19/04; A47G 21/04;
A63B 59/20
See application file for complete search history.

(56) **References Cited**

U.S. PATENT DOCUMENTS

D178,026 S *	6/1956	Tuppar	D32/49
D244,790 S *	6/1977	Carlson	473/563
D248,143 S *	6/1978	Cannon	D7/647
D263,248 S *	3/1982	Brine, Jr.	D21/724
D301,533 S *	6/1989	Zimmerman	D7/647
D306,115 S *	2/1990	Zimmerman	D7/669
D350,999 S *	9/1994	Chen	D21/724
D395,381 S *	6/1998	Cousins	D7/691
D396,614 S *	8/1998	Cousins	D7/688
D439,810 S *	4/2001	Lambrecht	D7/686
D444,042 S *	6/2001	Kortleven	D7/692
D461,992 S *	8/2002	Laib	D7/395

D477,965 S *	8/2003	Kortleven	D7/395
D481,916 S *	11/2003	Kortleven	D7/692
D482,578 S *	11/2003	Kortleven	D7/692
D482,579 S *	11/2003	Kortleven	D7/667
D482,939 S *	12/2003	Lillelund	D7/691
D496,564 S *	9/2004	Laib	D7/691
D566,761 S *	4/2008	Wilton	D19/155
D618,070 S *	6/2010	Jalet	D7/691
D618,522 S *	6/2010	Jalet	D7/690
D618,523 S *	6/2010	Jalet	D7/692
D623,486 S *	9/2010	Ma	D7/692
D670,363 S *	11/2012	Yousufzai	D23/261

* cited by examiner

Primary Examiner — Rosemary K Tarcza

Assistant Examiner — James Thorn, Sr.

(74) *Attorney, Agent, or Firm* — Taylor J. Ross

(57) **CLAIM**

The ornamental design for a slotted scoop and masher, as shown and described.

DESCRIPTION

FIG. 1 is a top, front and left side perspective view of a slotted scoop and masher showing my new design, with the handle shown in phantom lines;

FIG. 2 is a front elevation view thereof;

FIG. 3 is a rear elevation view thereof;

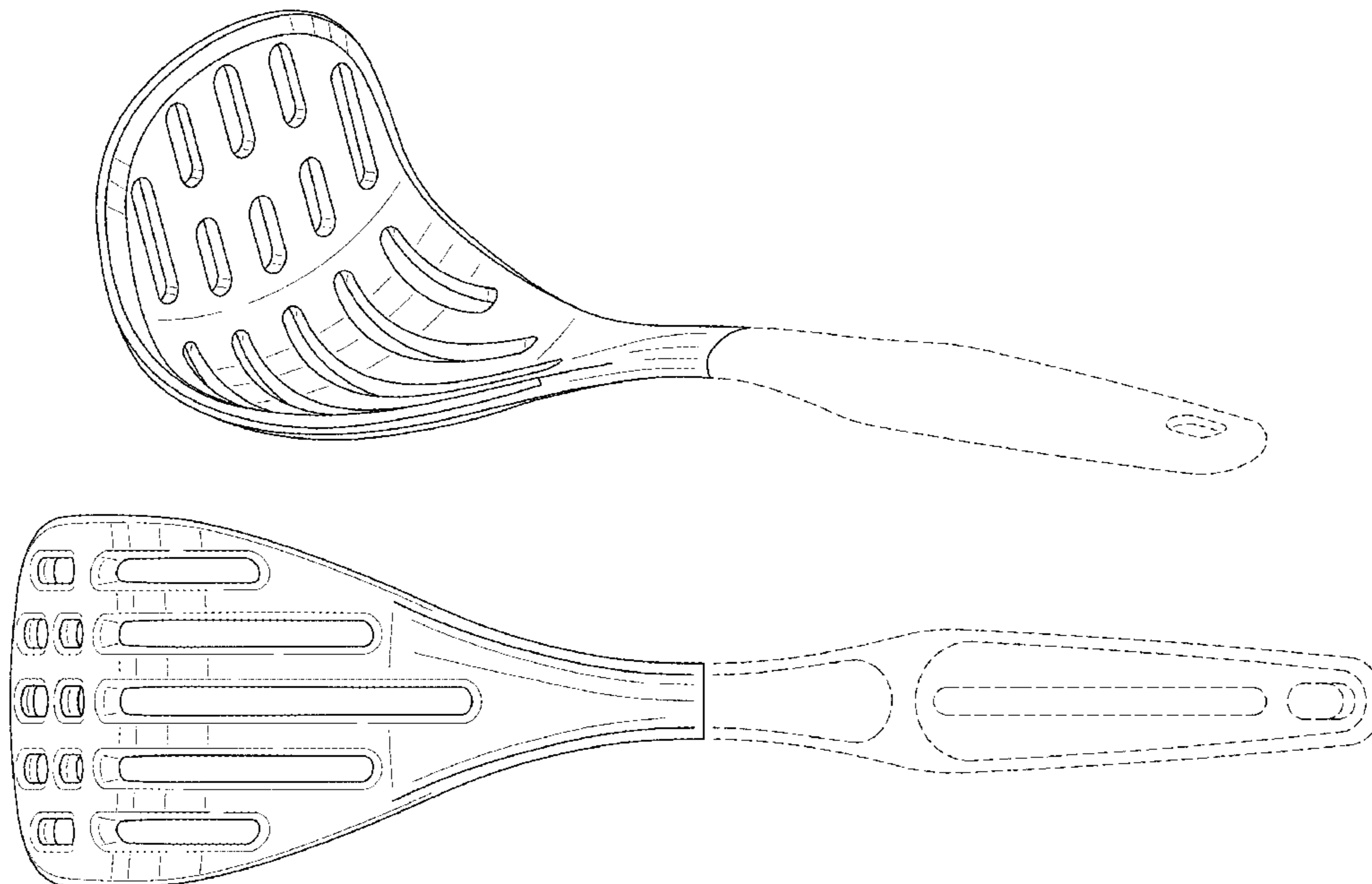
FIG. 4 is a top plan view thereof;

FIG. 5 is a bottom plan view thereof;

FIG. 6 is a left side elevation view, the right side elevation being a mirror image thereof; and,

FIG. 7 is a cross-sectional view taken along line 7-7 of FIG. 2. The broken lines shown in the drawings are included for the purpose of illustrating environmental structure and form no part of the claimed design.

1 Claim, 4 Drawing Sheets



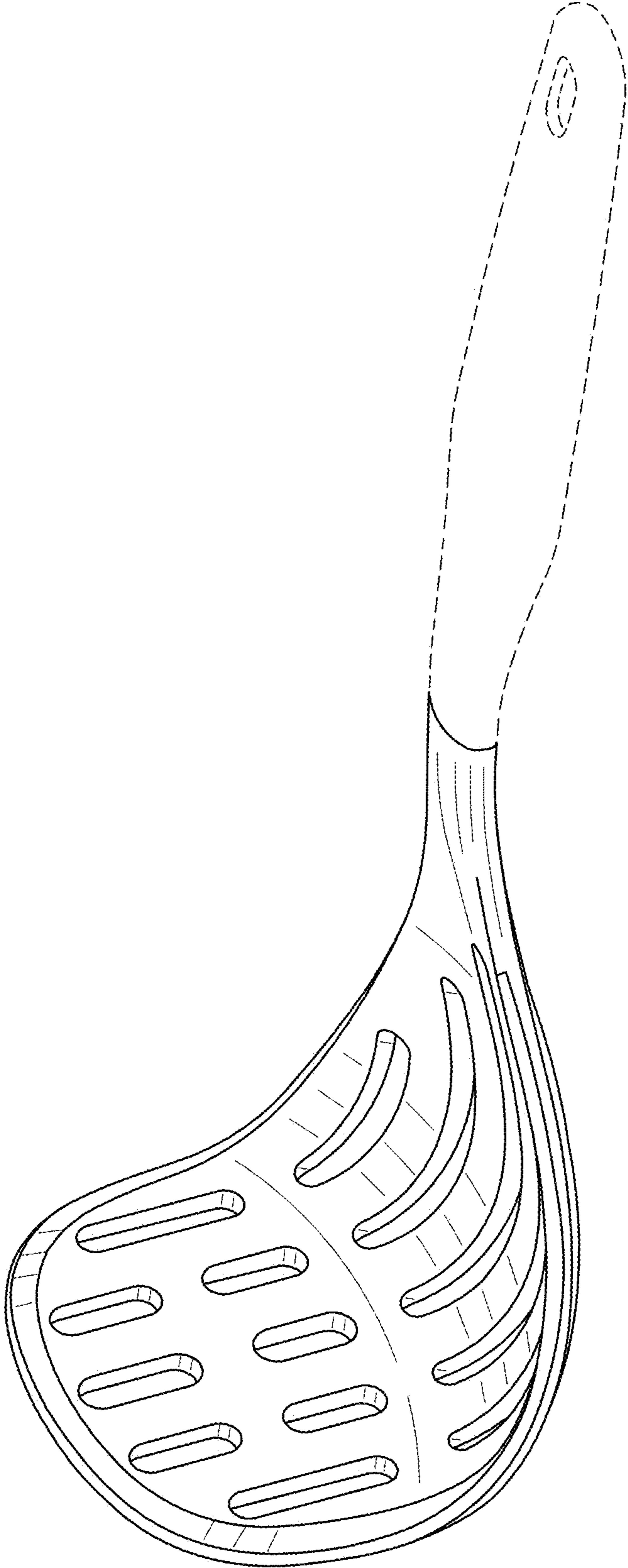


FIG. 1

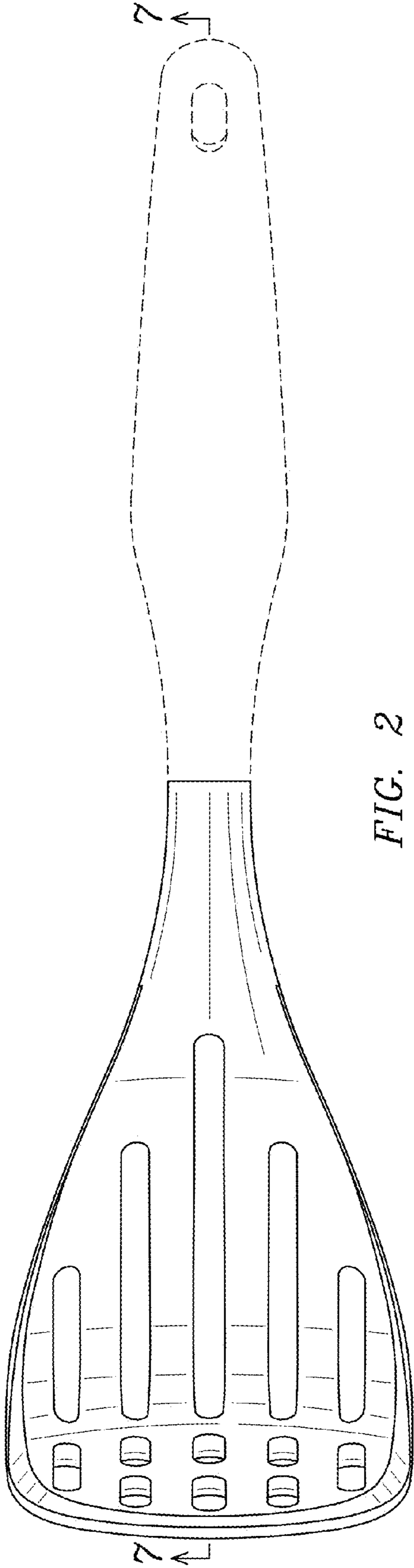


FIG. 2

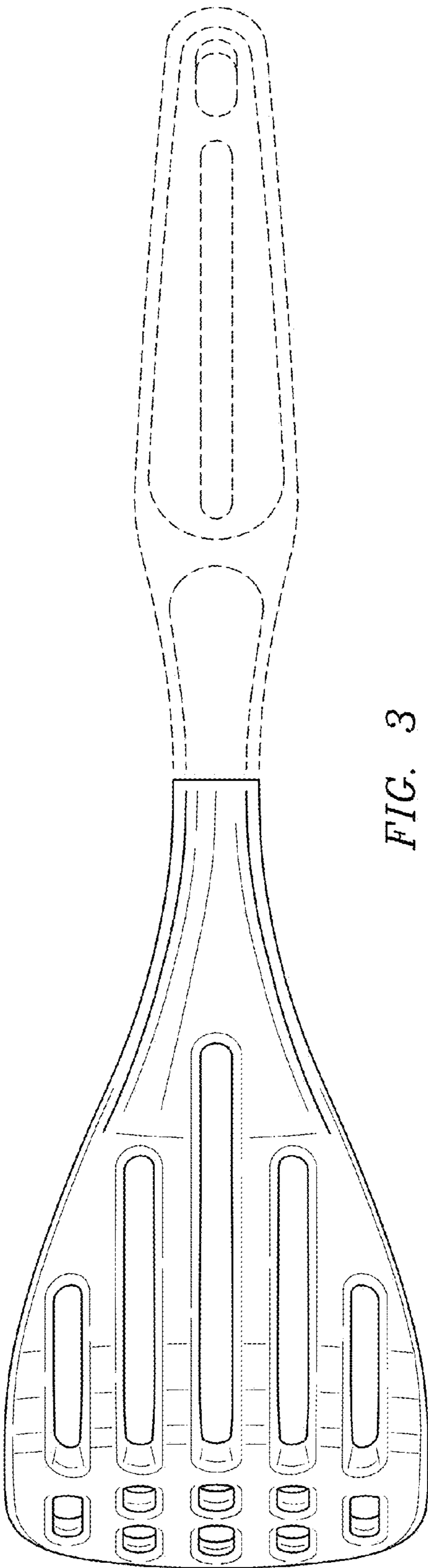


FIG. 3

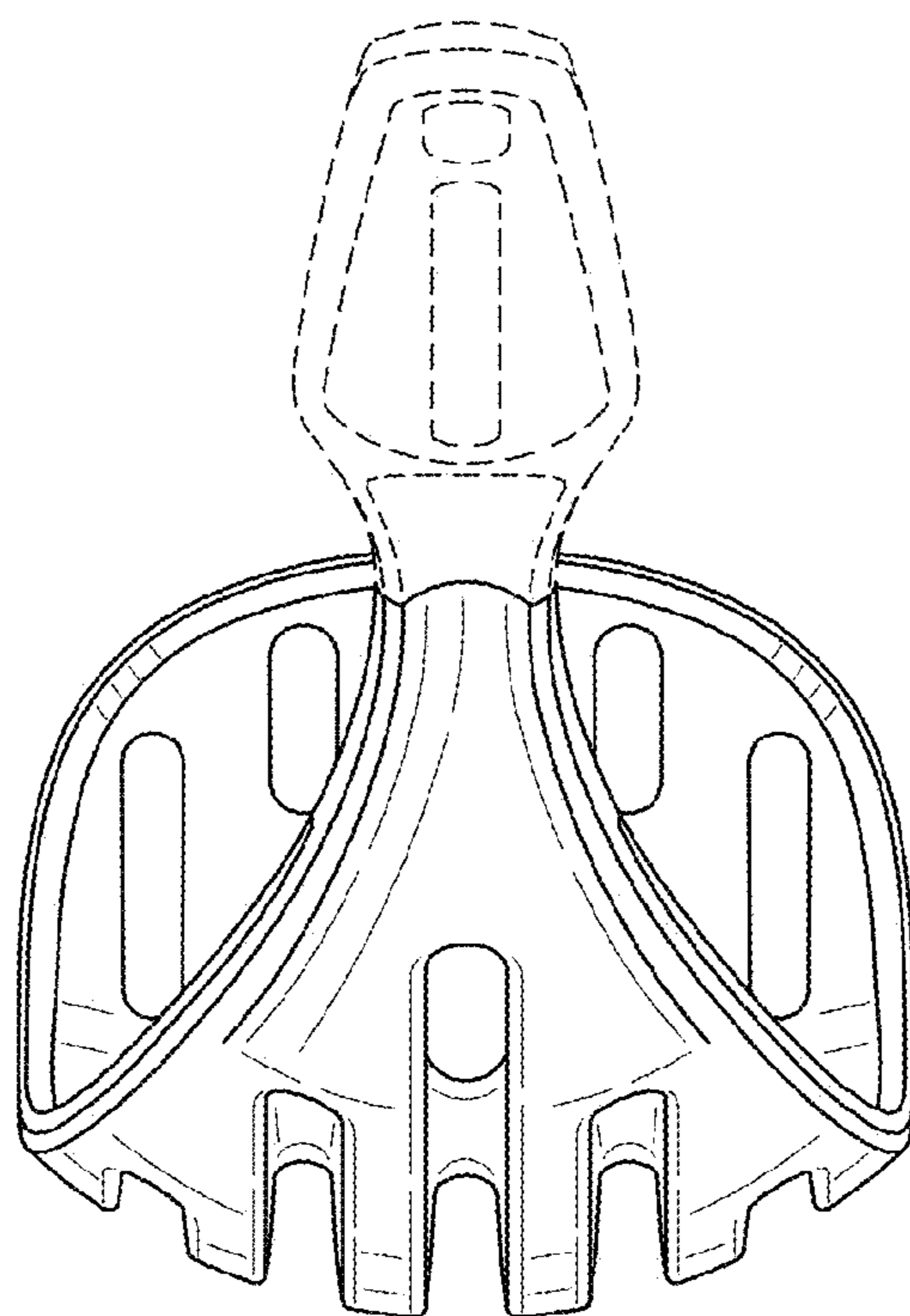


FIG. 4

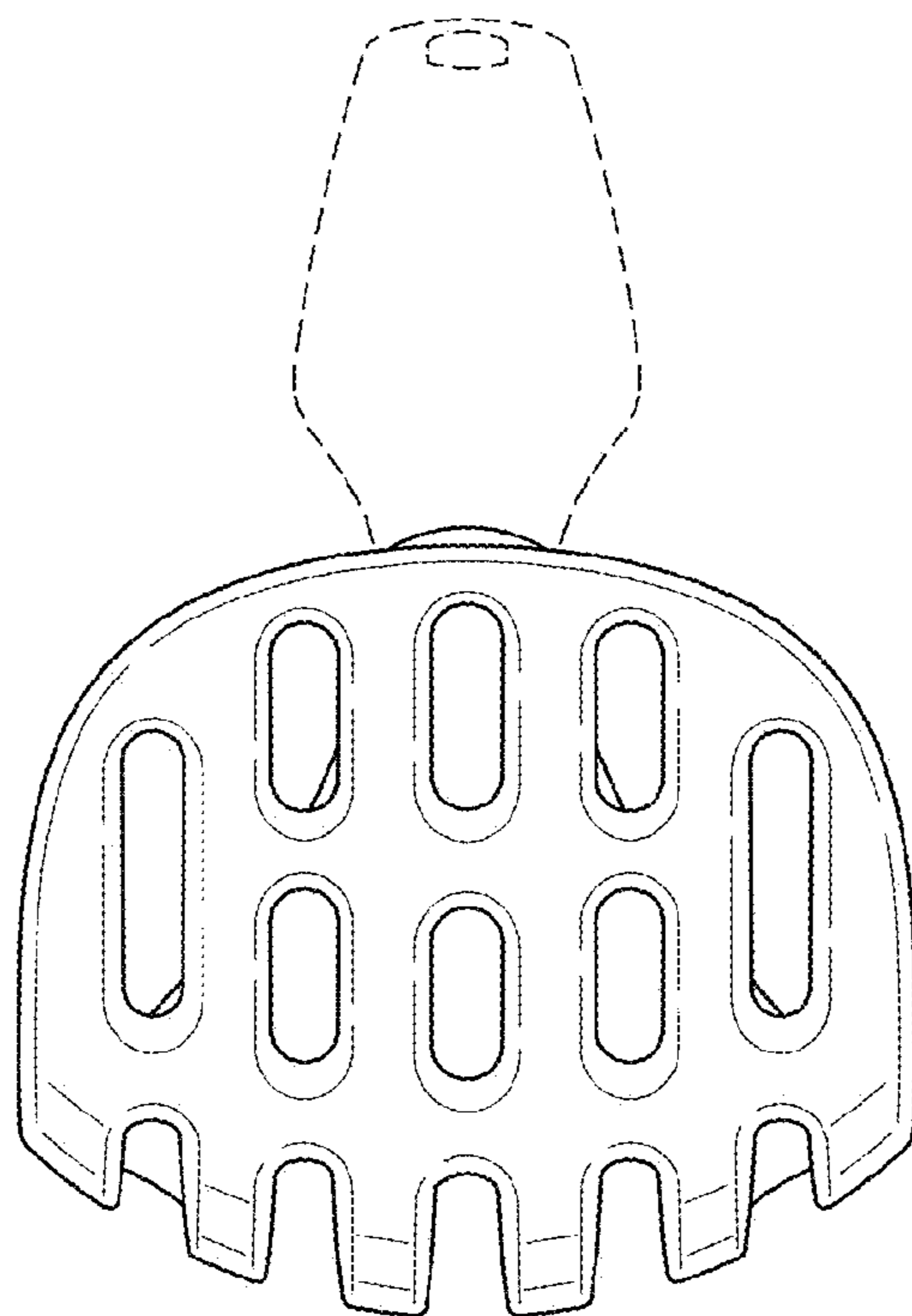


FIG. 5

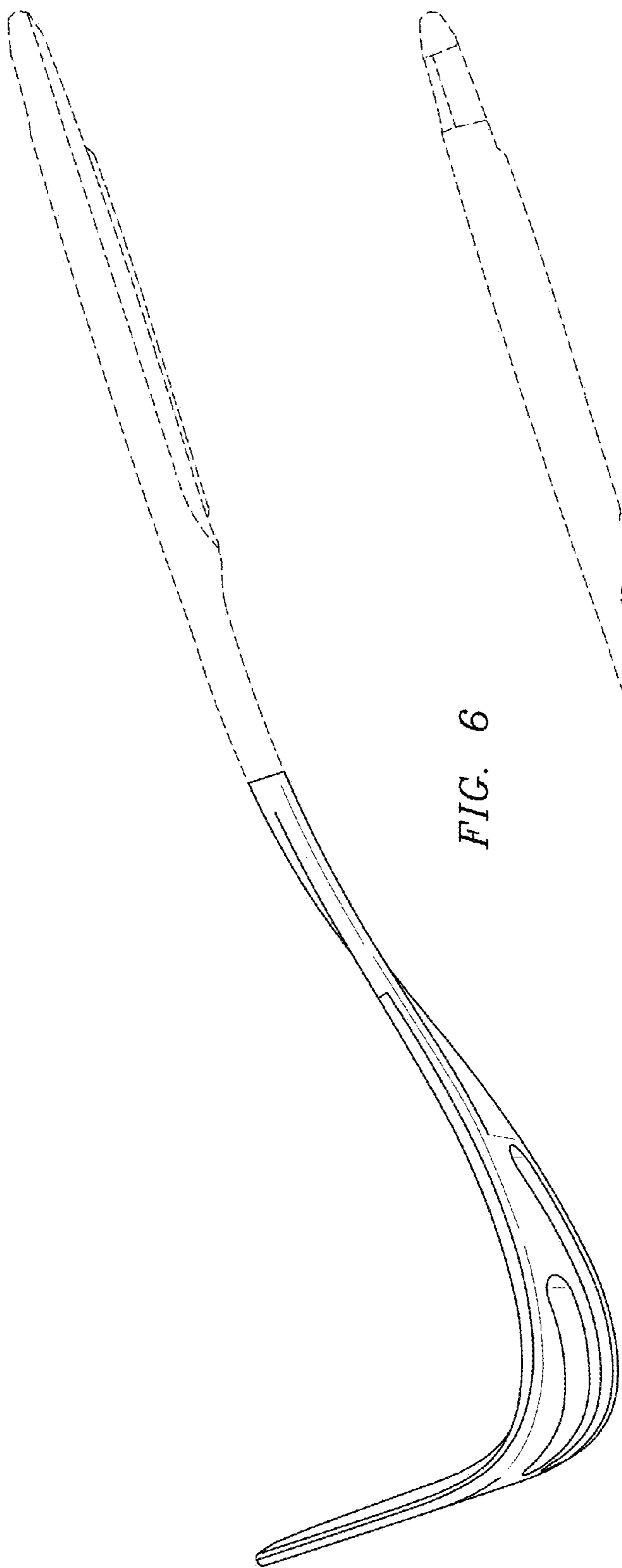


FIG. 6

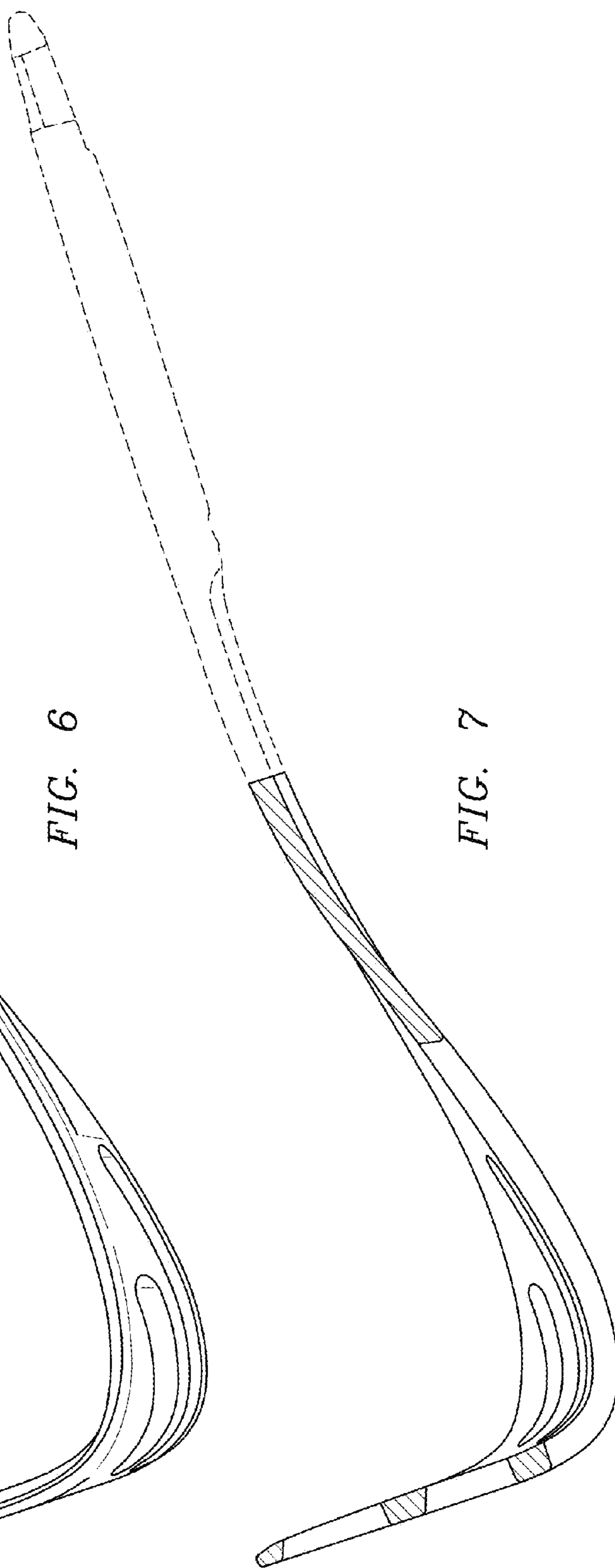


FIG. 7