



US00D751352S

(12) **United States Design Patent**  
**Koide**

(10) **Patent No.:** **US D751,352 S**  
(45) **Date of Patent:** **\*\* Mar. 15, 2016**

(54) **SLICER**

(71) Applicant: **Takashi Koide**, Gifu (JP)

(72) Inventor: **Takashi Koide**, Gifu (JP)

(73) Assignee: **Kai R & D Center Co., Ltd.**, Gifu (JP)

(\*\*) Term: **14 Years**

(21) Appl. No.: **29/443,231**

(22) Filed: **Jan. 15, 2013**

(30) **Foreign Application Priority Data**

Jul. 20, 2012 (JP) ..... 2012-017325

(51) **LOC (10) Cl.** ..... **07-06**

(52) **U.S. Cl.**  
USPC ..... **D7/673**

(58) **Field of Classification Search**  
USPC ..... D7/672-678, 693, 695, 368, 371, 372,  
D7/376, 381, 383, 669; 241/100, 95, 168,  
241/169, 273.1-274, 285.2, 93, 101.1,  
241/101.2; 30/92-95, 114, 165, 247, 279.6,  
30/278, 280, 283, 286, 287-291, 321, 340,  
30/389-391; 83/87, 167, 425.3, 431,  
83/435.15, 436.2, 436.7, 437.7, 441.1,  
83/669, 697, 698.11, 699.51, 699.61, 717,  
83/856, 857, 858, 874, 906, 932  
CPC ..... B26D 3/283; B26D 3/18; B26D 7/01;  
B26D 7/00; B26D 2003/286; B26D 1/553;  
B26D 1/01; B26D 1/25; Y10S 83/932; Y10T  
83/6588; Y10T 83/9495; Y10T 83/8749;  
Y10T 83/9457; Y10T 83/9478; Y10T 83/9498;  
Y10T 29/49; B26B 5/008  
See application file for complete search history.

(56) **References Cited**

**U.S. PATENT DOCUMENTS**

D333,950 S \* 3/1993 So ..... D7/678  
5,765,472 A 6/1998 Kim

D400,767 S \* 11/1998 de Saint-Genois ..... D7/673  
6,082,645 A \* 7/2000 Himmighofen et al. .... 241/168  
D447,022 S \* 8/2001 Wong ..... D7/678  
6,732,622 B2 5/2004 Vincent  
D495,218 S \* 8/2004 Yu ..... D7/673  
6,805,044 B1 10/2004 Yamamoto  
D503,314 S \* 3/2005 Wong ..... D7/673  
D505,301 S \* 5/2005 Wong ..... D7/673  
7,066,071 B2 6/2006 Zeder et al.  
7,107,890 B2 9/2006 Vincent  
D532,261 S \* 11/2006 Mellen et al. .... D7/673  
D534,041 S \* 12/2006 De Buyer ..... D7/673  
7,143,677 B2 12/2006 Zeder et al.  
D535,162 S \* 1/2007 De Buyer ..... D7/673  
D548,548 S 8/2007 Lee  
D559,635 S \* 1/2008 Wong ..... D7/673

(Continued)

*Primary Examiner* — Ian Simmons

*Assistant Examiner* — Shannon Morgan

(74) *Attorney, Agent, or Firm* — Jordan and Hamburg LLP

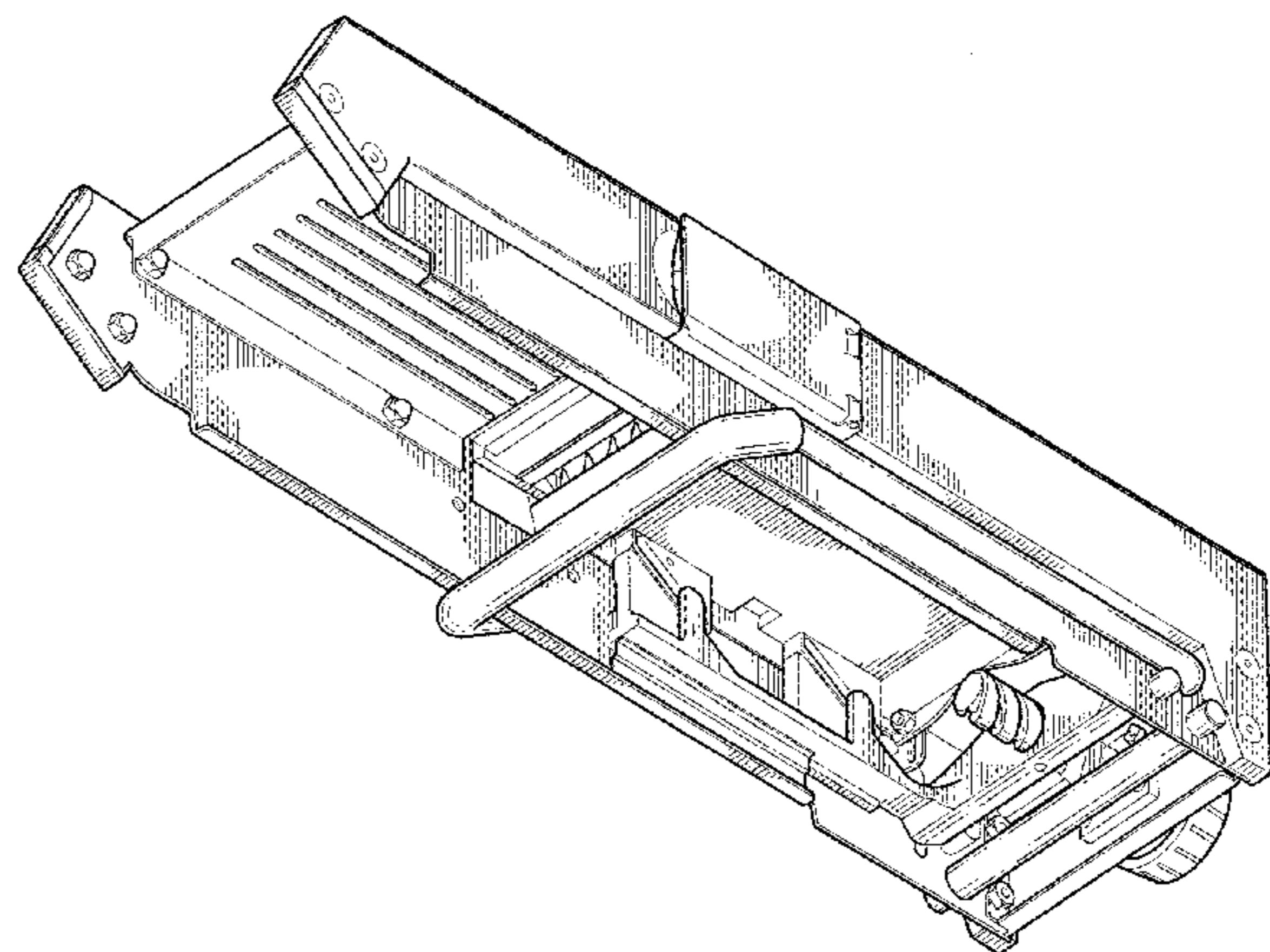
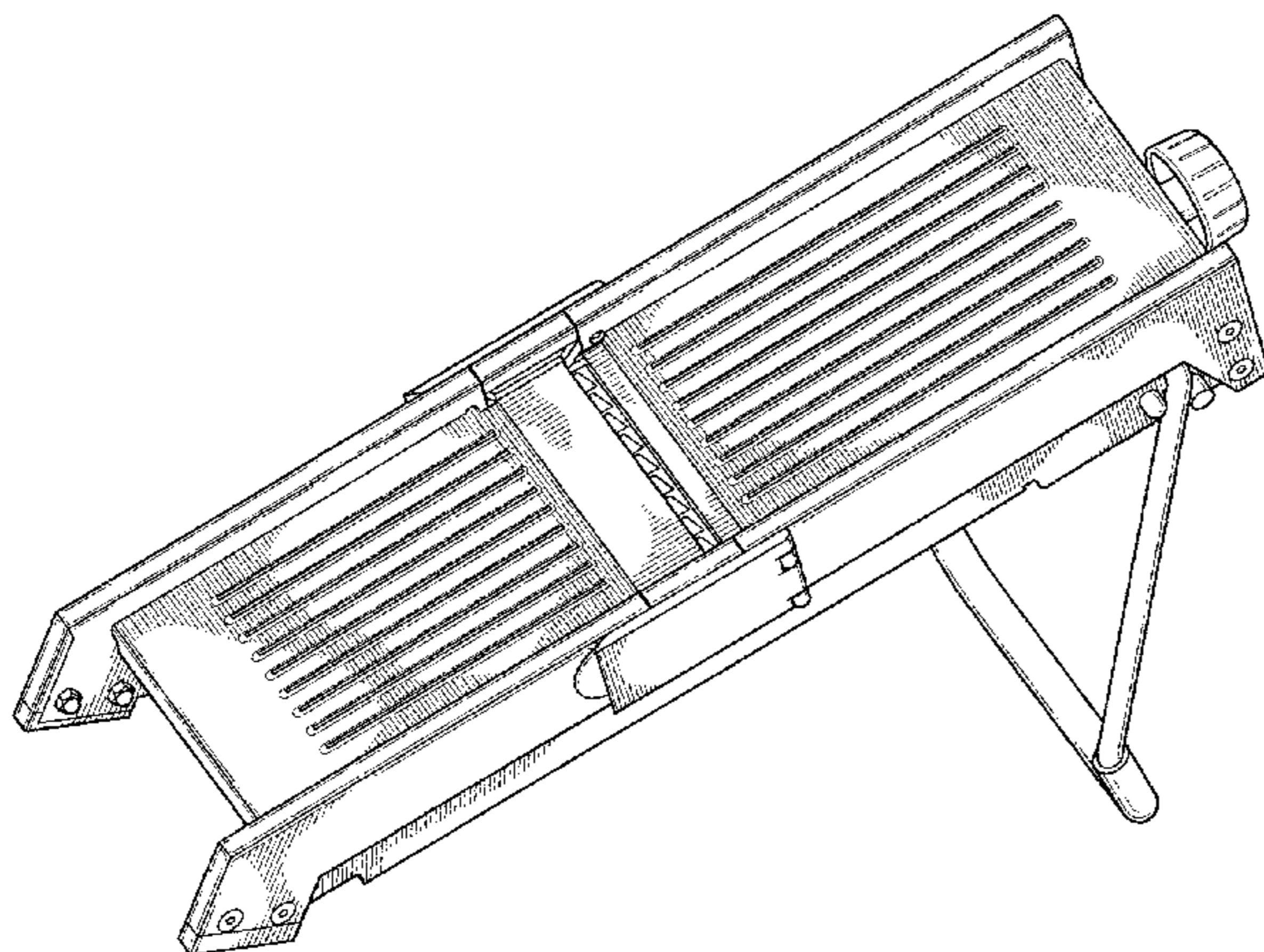
(57) **CLAIM**

The ornamental design for a slicer, as shown and described.

**DESCRIPTION**

FIG. 1 is a top plan view of a slicer showing my new design; FIG. 2 is a front elevational view thereof; the rear elevational view being an identical mirror image thereof; FIG. 3 is a left side elevational view thereof; FIG. 4 is a cross-sectional view taken along the line IV-IV in FIG. 3; FIG. 5 is a bottom plan view thereof; FIG. 6 is a right side elevational view thereof; FIG. 7 is a front elevational view of the slicer shown in an open position; FIG. 8 is a front perspective view of the slicer shown in an open position; and, FIG. 9 is a rear perspective view thereof. The broken lines shown in the figures represent portions of the slicer that form no part of the claimed design.

**1 Claim, 8 Drawing Sheets**



(56)

References Cited

U.S. PATENT DOCUMENTS

D574,675 S	8/2008	Debuyer		2004/0231482 A1	11/2004	Boilen	
D578,836 S	10/2008	Hood		2006/0075872 A1*	4/2006	Wangler .....	83/856
D580,234 S *	11/2008	Hood .....	D7/673	2006/0758722	4/2006	Wangler	
D581,221 S	11/2008	Hull		2006/0283299 A1*	12/2006	Mellen et al. ....	83/401
7,621,207 B2	11/2009	Botsai et al.		2007/0089577 A1*	4/2007	Wong .....	83/13
D608,162 S	1/2010	Mah et al.		2007/0125207 A1*	6/2007	Lucas et al. ....	83/13
D610,414 S *	2/2010	Boerner .....	D7/673	2007/0137457 A1*	6/2007	Botsai et al. ....	83/858
D611,311 S *	3/2010	Smith et al. ....	D7/673	2008/0098866 A1*	5/2008	DiPietro .....	83/440.2
D618,066 S *	6/2010	De Buyer et al. ....	D7/673	2010/0162869 A1*	7/2010	Smith et al. ....	83/707
D618,518 S *	6/2010	De Buyer et al. ....	D7/673	2010/0326291 A1*	12/2010	Wong .....	99/537
D625,567 S *	10/2010	Wong .....	D7/673	2011/0083329 A1*	4/2011	Coucke .....	30/279.6
7,866,243 B2	1/2011	DiPietro		2011/0154998 A1*	6/2011	Wong .....	99/537
D650,642 S	12/2011	Fung		2012/0006165 A1*	1/2012	Thornton .....	83/397
8,069,766 B2	12/2011	de Buyer et al.		2012/0198980 A1*	8/2012	Bagley .....	83/699.51
D651,483 S *	1/2012	Bagley .....	D7/673	2012/0227564 A1*	9/2012	Fung .....	83/856
D651,868 S	1/2012	Thornton		2013/0087033 A1*	4/2013	Tetreault et al. ....	83/440
D690,564 S *	10/2013	Tetreault et al. ....	D7/673	2014/0060278 A1*	3/2014	Koide .....	83/699.11
				2014/0331844 A1*	11/2014	Stewart et al. ....	83/699.51
				2014/0366699 A1*	12/2014	Wong .....	83/698.11

\* cited by examiner



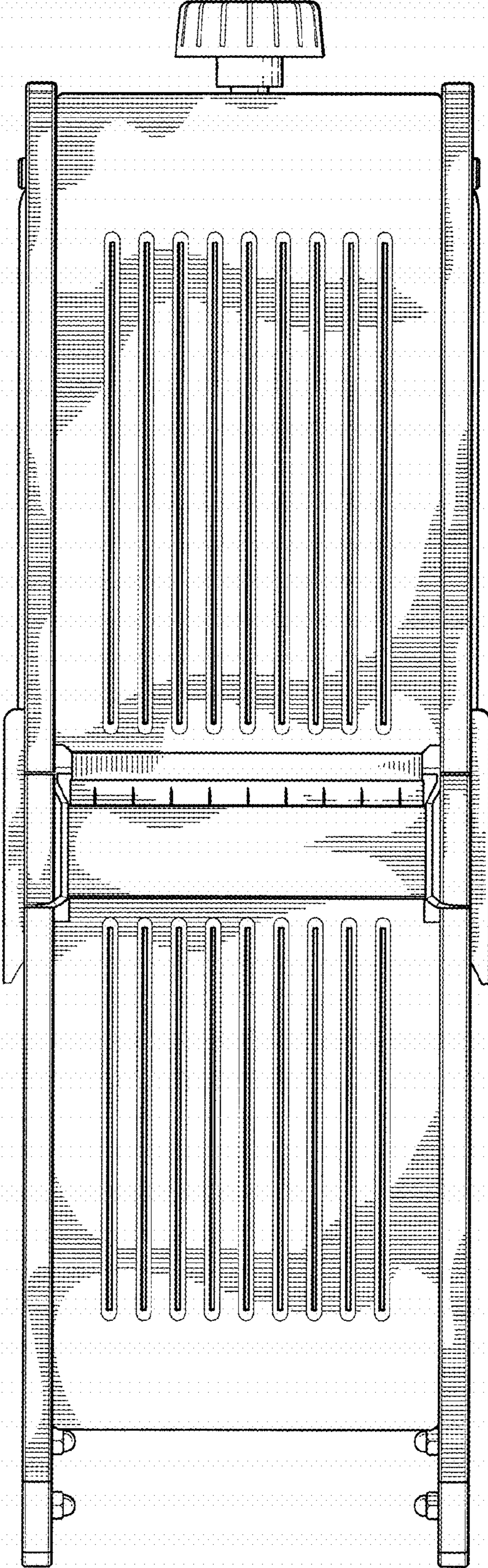


FIG. 1

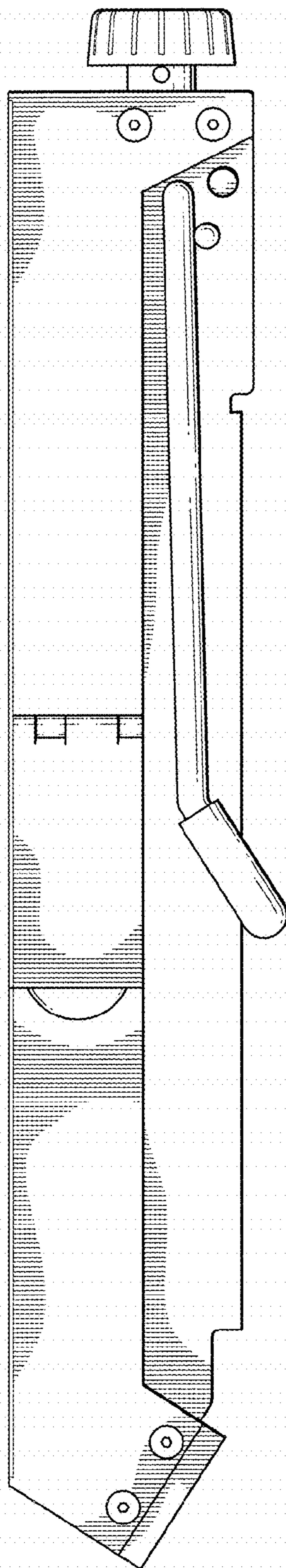


FIG. 2

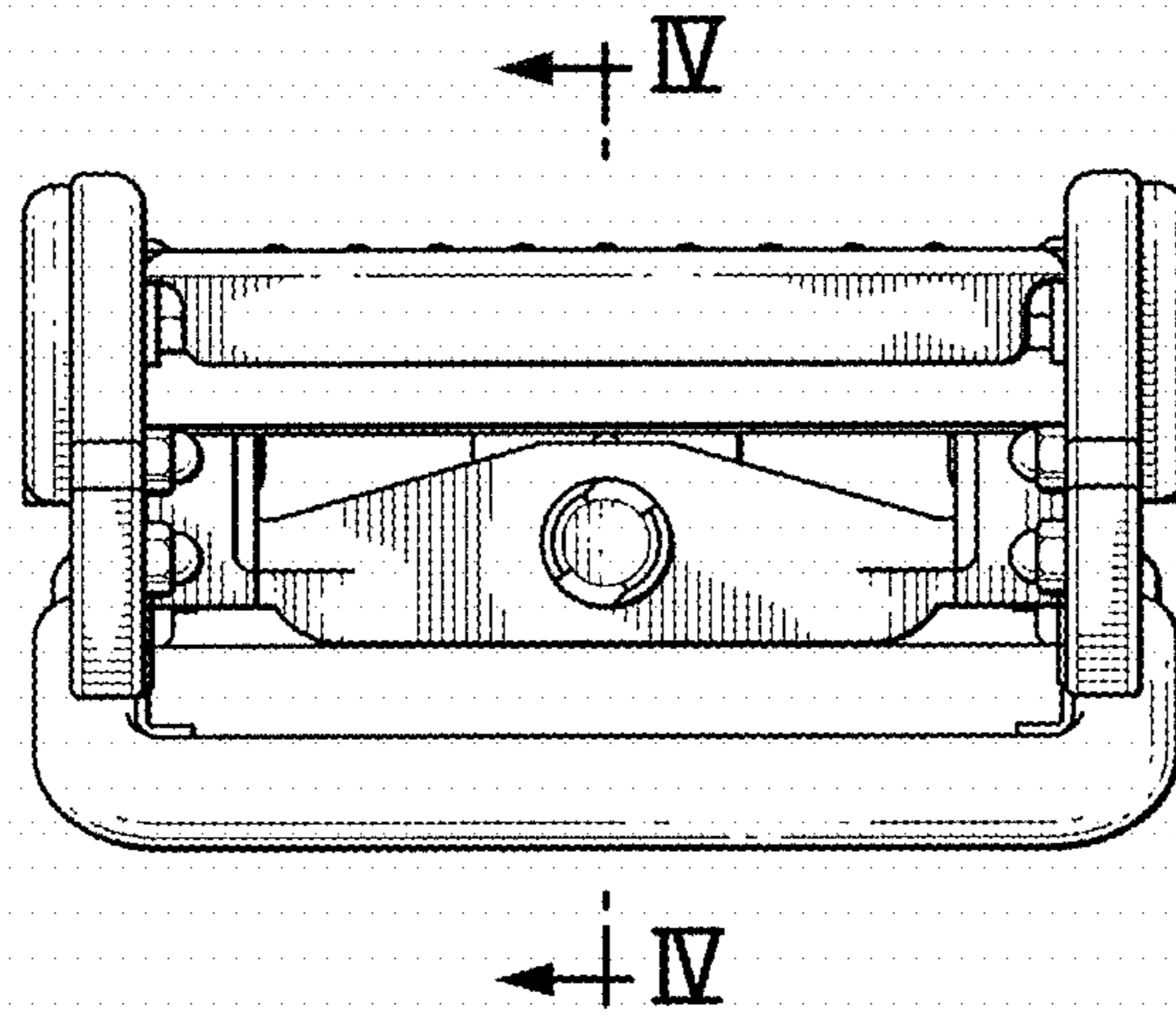


FIG. 3

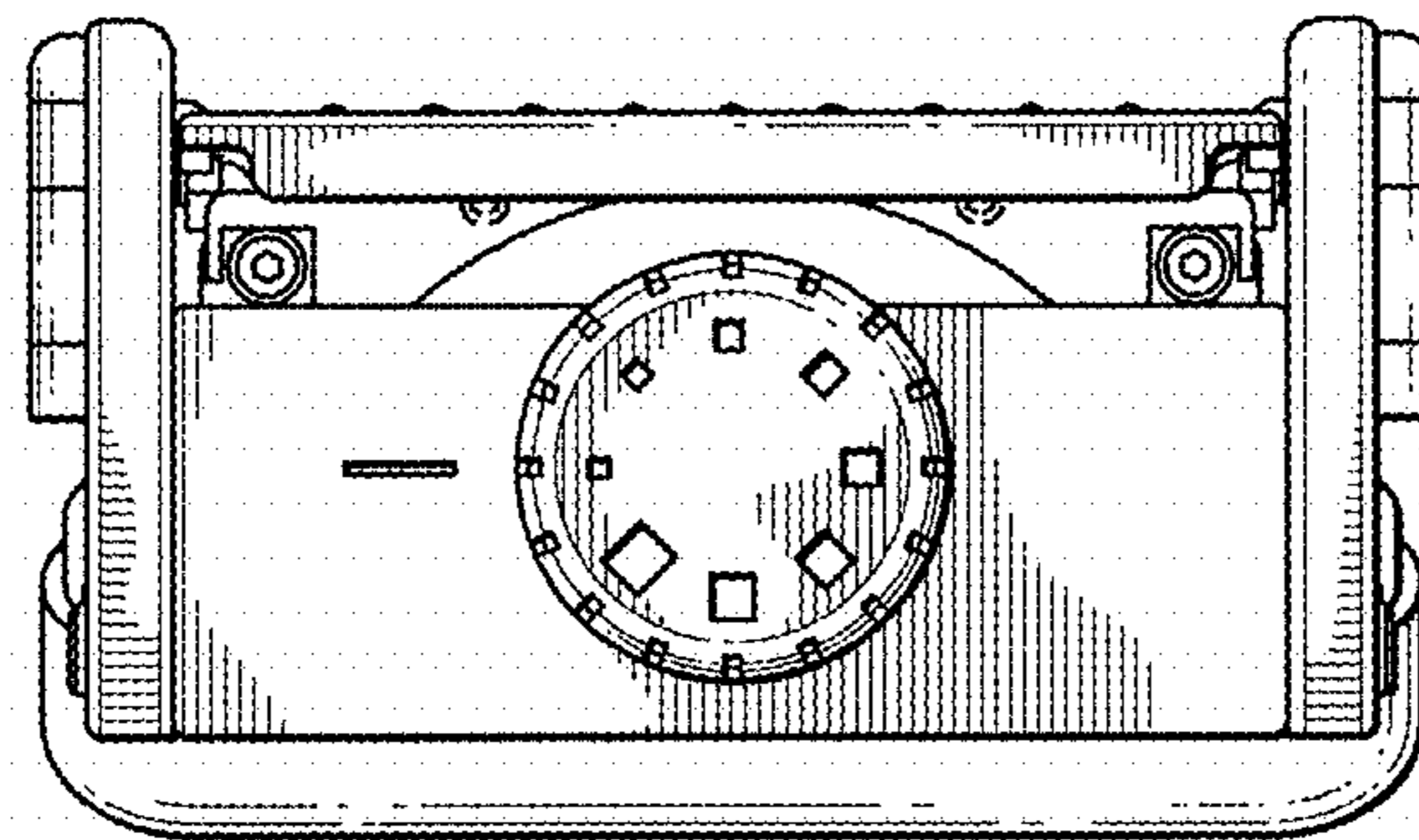


FIG. 6



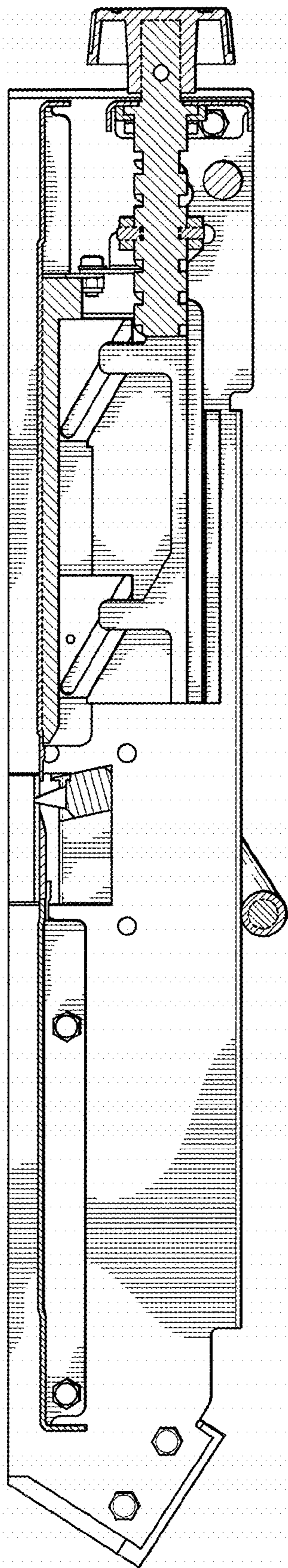


FIG. 4

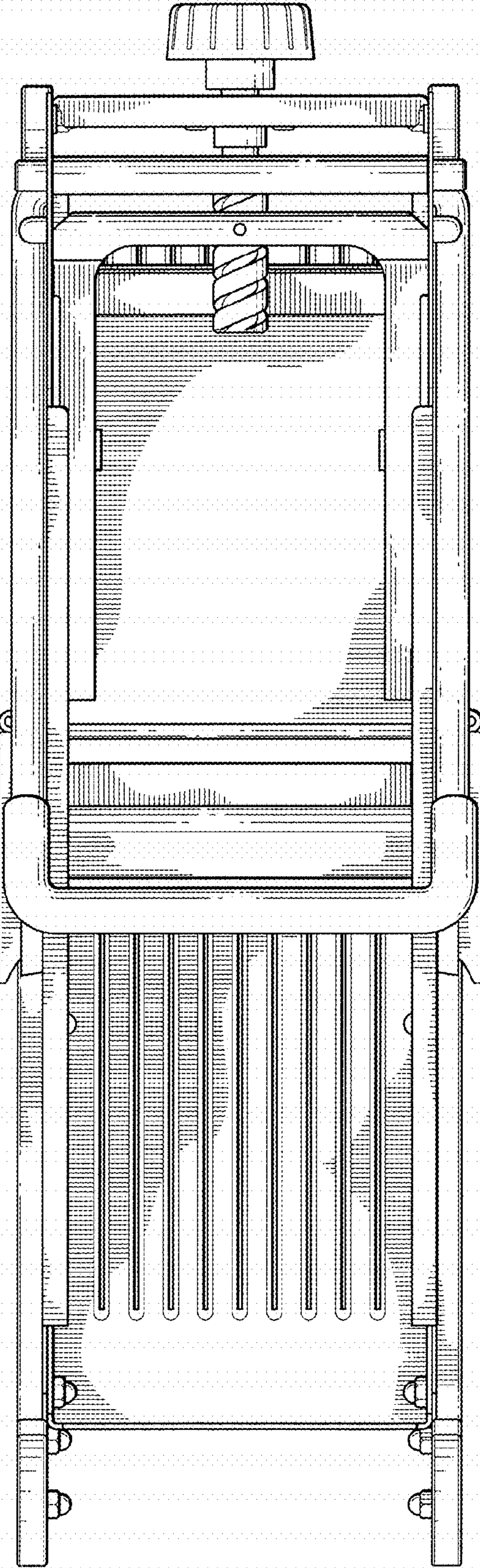


FIG. 5

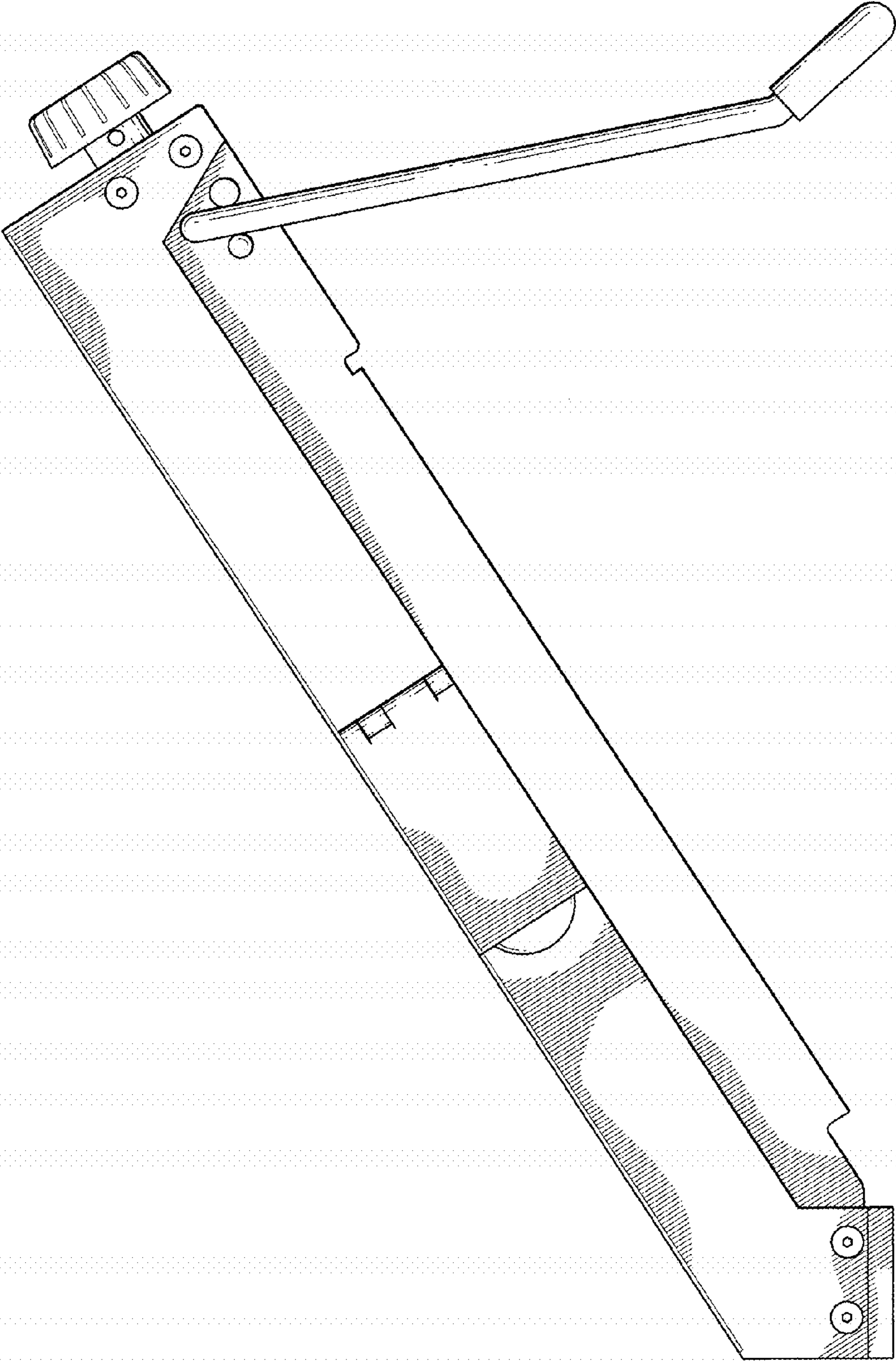


FIG. 7



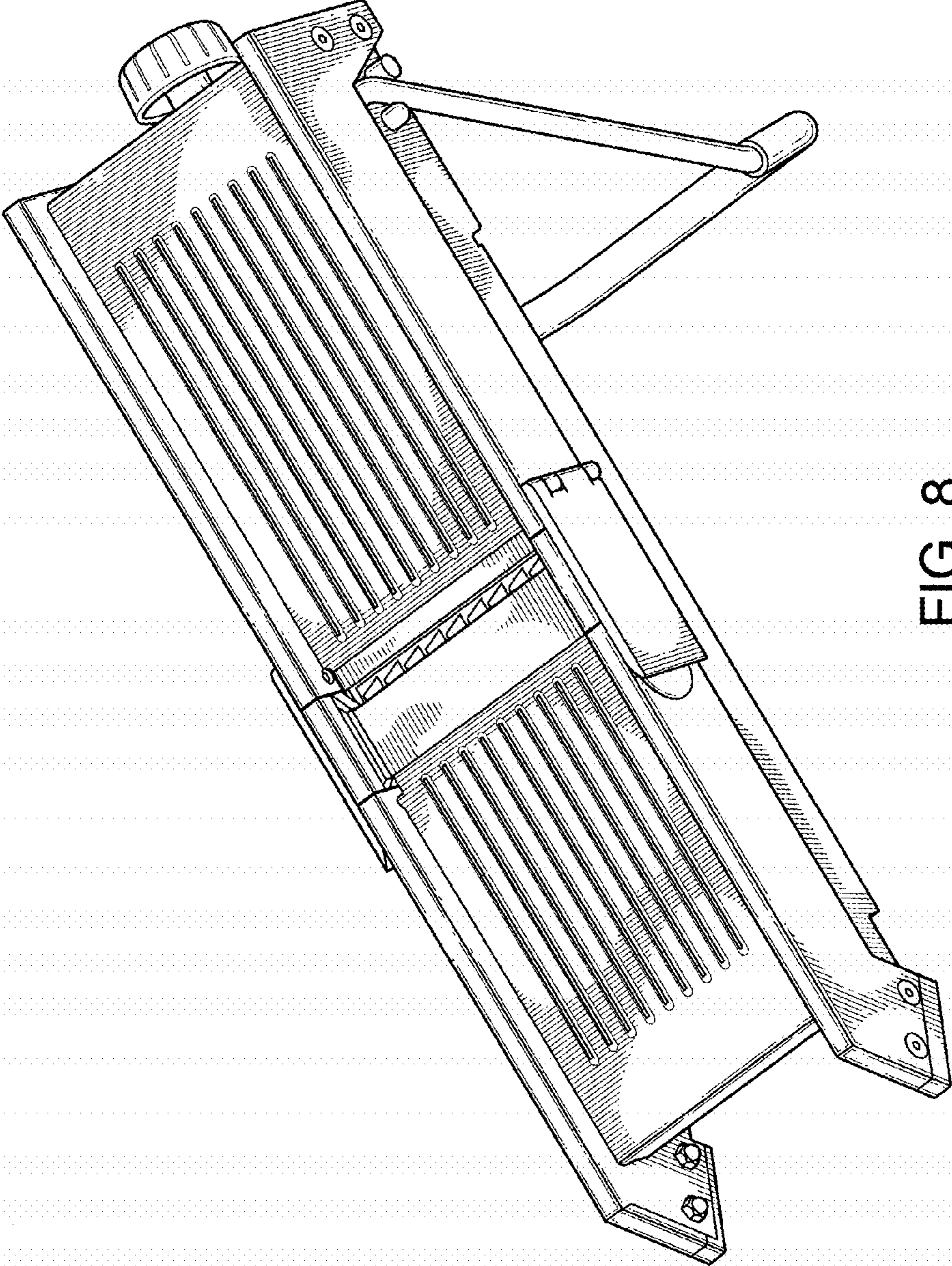


FIG. 8

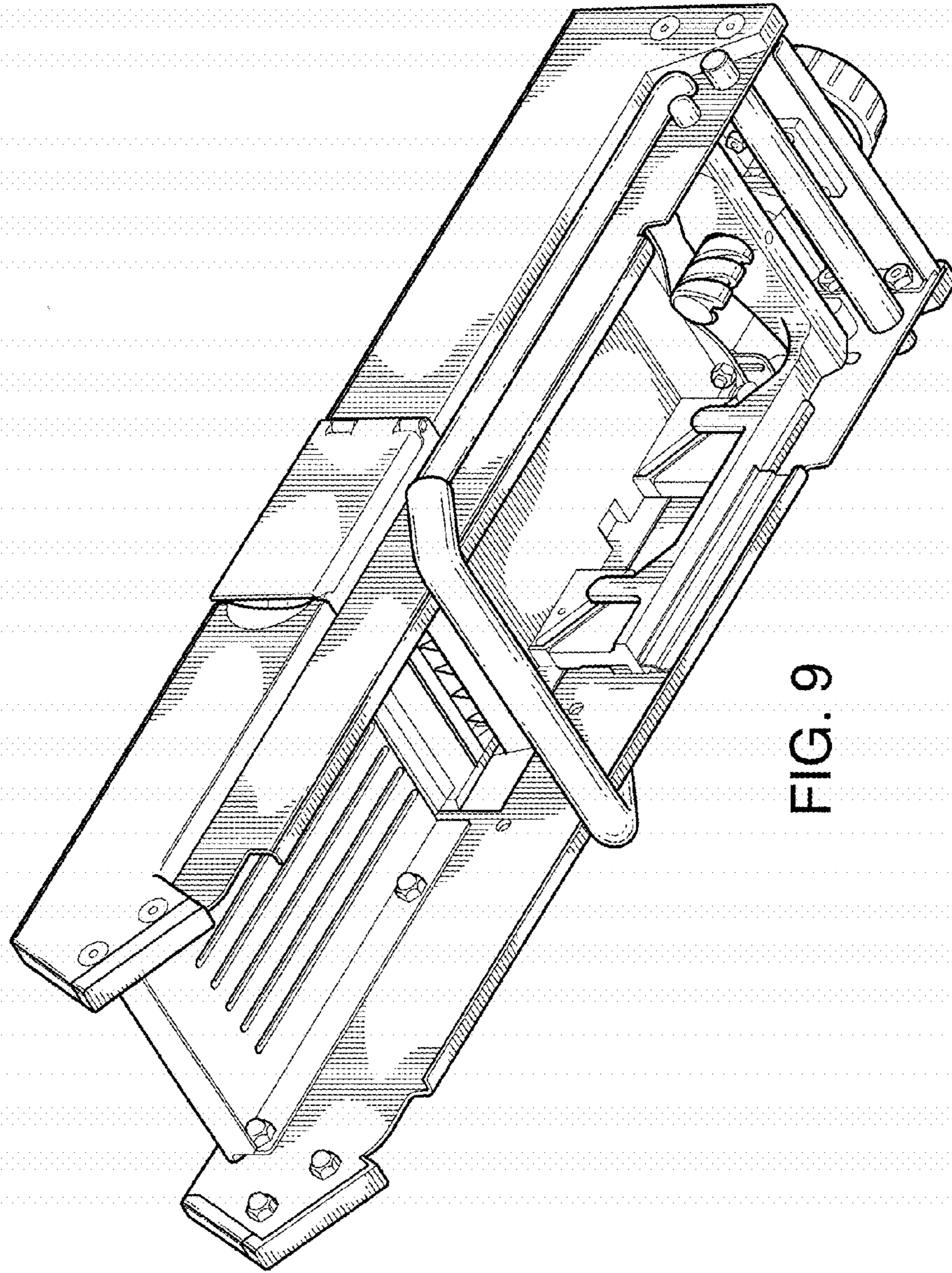


FIG. 9