



US00D751351S

(12) **United States Design Patent**
Henry et al.

(10) **Patent No.:** **US D751,351 S**
(45) **Date of Patent:** **** Mar. 15, 2016**

(54) **BUTTER TOOL**

(56) **References Cited**

(71) Applicant: **Robinson Home Products Inc.,**
Williamsville, NY (US)

(72) Inventors: **Lou Henry**, Scarsdale, NY (US); **John Healy**, Brooklyn, NY (US)

(73) Assignee: **Robinson Home Products Inc.,**
Williamsville, NY (US)

(**) Term: **14 Years**

(21) Appl. No.: **29/483,526**

(22) Filed: **Feb. 28, 2014**

(51) **LOC (10) Cl.** **07-04**

(52) **U.S. Cl.**
USPC **D7/669; D7/693**

(58) **Field of Classification Search**
USPC D7/669, 688, 693, 649; D4/116;
D32/35; 7/105, 158, 163; 30/123, 142,
30/340, 342, 121.5
CPC B26B 3/02; B26B 9/02; B26B 11/00;
B26B 11/008; B26B 13/22; B26B 5/00;
B26B 29/06; A47G 21/02; B25D 3/00

See application file for complete search history.

U.S. PATENT DOCUMENTS

D140,818	S	*	4/1945	Jones et al.	D7/673
2,948,064	A	*	8/1960	Wentsel	30/123
D192,039	S	*	1/1962	Jones et al.	D7/669
D274,273	S	*	6/1984	Auerbach	D32/35
D316,016	S	*	4/1991	Nix	D7/673
2006/0070186	A1	*	4/2006	Karlstedt	7/105
2010/0236074	A1	*	9/2010	Curtin	30/121.5

* cited by examiner

Primary Examiner — Terry Wallace

(74) *Attorney, Agent, or Firm* — Florek & Endres PLLC

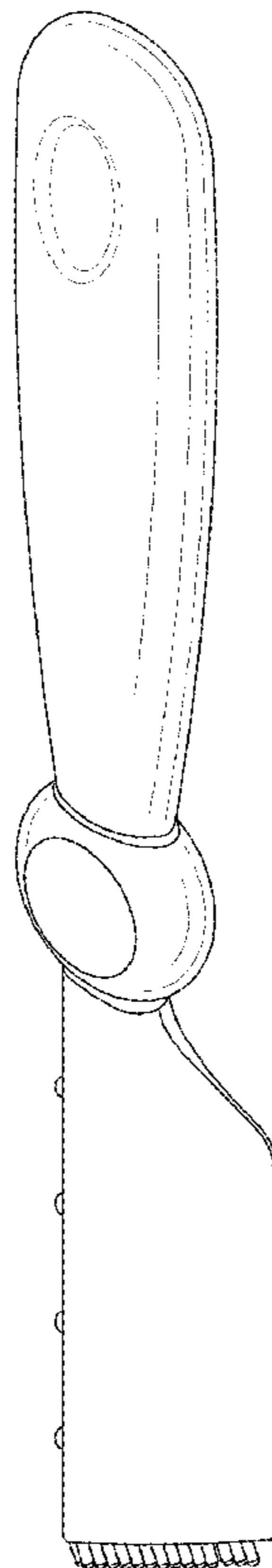
(57) **CLAIM**

We claim the ornamental design for a butter tool, as shown and described.

DESCRIPTION

FIG. 1 is a perspective view of the butter tool of the invention. FIG. 2 is a top plan view of the butter tool of the invention. FIG. 3 is a bottom plan view of the butter tool of the invention. FIG. 4 is a left side elevation of the butter tool of the invention. FIG. 5 is a right side elevation of the butter tool of the invention. FIG. 6 is a rear elevation of the butter tool of the invention; and, FIG. 7 is a front elevation of the butter tool of the invention. The broken lines in the drawings represent unclaimed features.

1 Claim, 5 Drawing Sheets



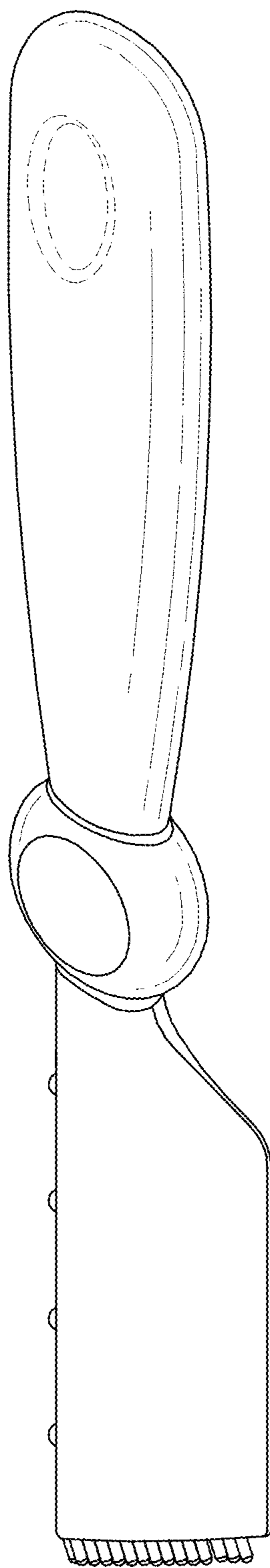


FIG. 1

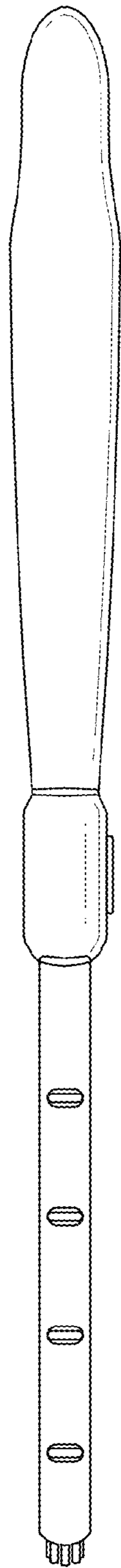


FIG. 2

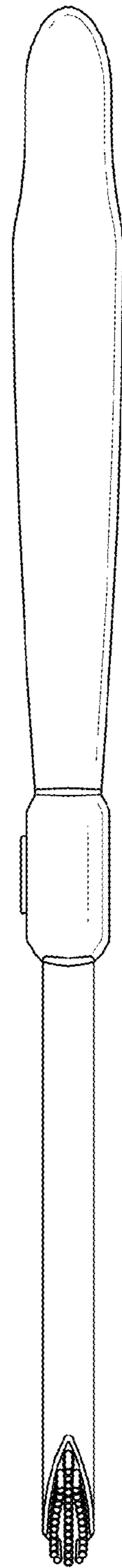


FIG. 3

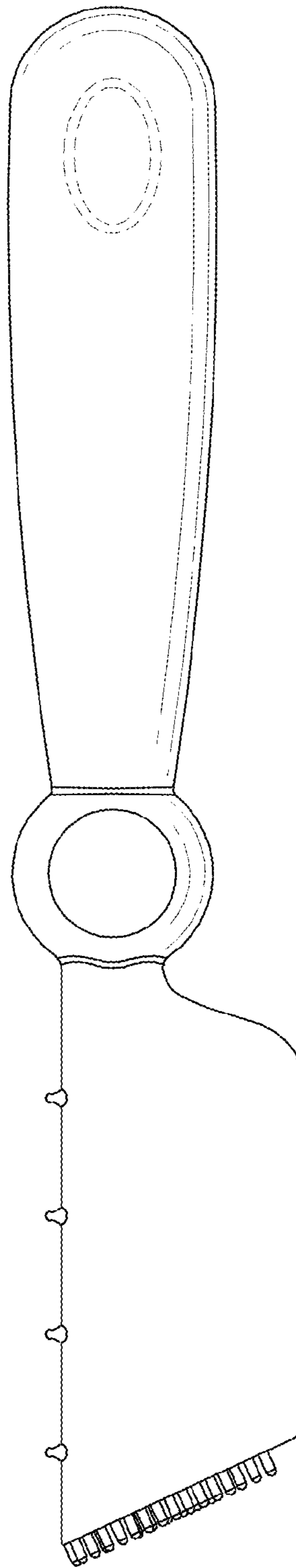


FIG. 4

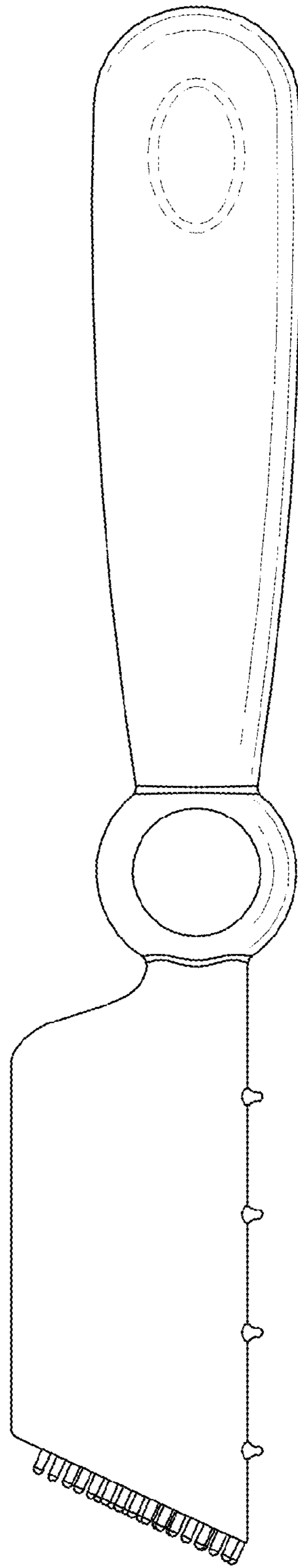


FIG. 5

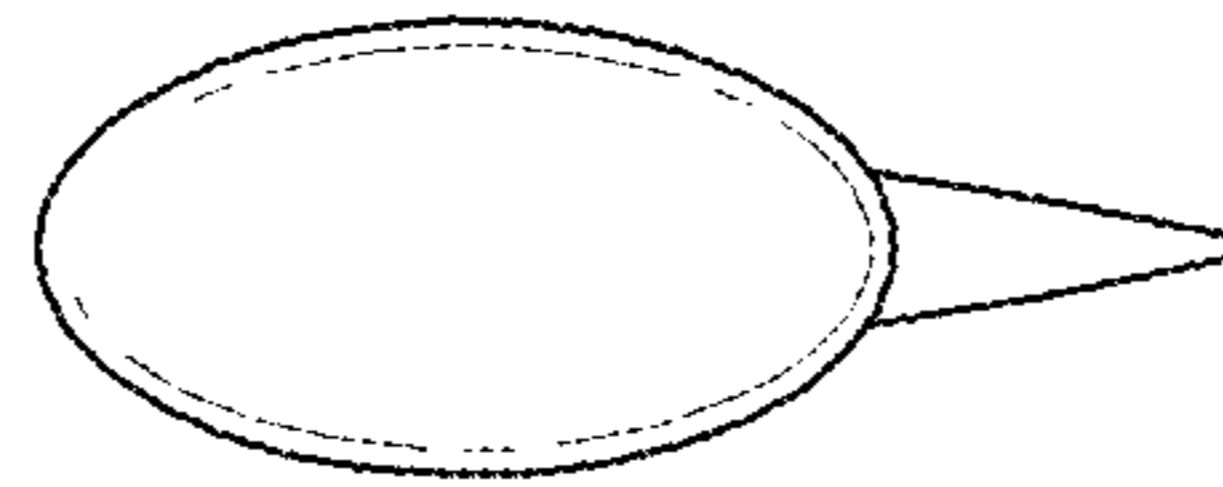


FIG. 6

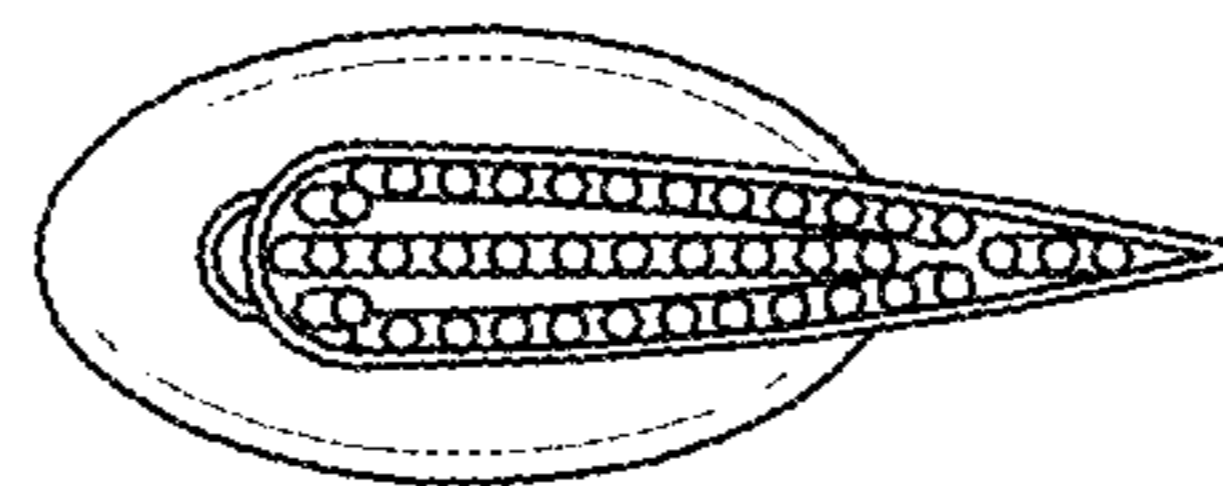


FIG. 7