



US00D751350S

(12) **United States Design Patent**
Dupuie et al.

(10) **Patent No.:** **US D751,350 S**
(45) **Date of Patent:** **** Mar. 15, 2016**

(54) **PORTABLE COOKING APPARATUS
CARRYING CASE**

(71) Applicants: **Stephen C. Dupuie**, Attica, MI (US);
Ricky H. Meachum, Lapeer, MI (US)

(72) Inventors: **Stephen C. Dupuie**, Attica, MI (US);
Ricky H. Meachum, Lapeer, MI (US)

(**) Term: **14 Years**

(21) Appl. No.: **29/488,674**

(22) Filed: **Apr. 22, 2014**

Related U.S. Application Data

(63) Continuation-in-part of application No. 12/884,123,
filed on Sep. 16, 2010, now Pat. No. 8,739,771.

(51) **LOC (10) Cl.** **07-06**

(52) **U.S. Cl.**
USPC **D7/637**

(58) **Field of Classification Search**
USPC D7/637-641, 601, 387, 213;
D3/201-206, 273; 62/457.1-457.9,
62/371, 372; 126/9 R; 220/8;
206/216-218, 223, 541-549, 499, 515
CPC A47J 33/00; A45C 11/20; F24C 7/10;
A45F 5/00; A45F 2005/002

See application file for complete search history.

(56) **References Cited**

U.S. PATENT DOCUMENTS

3,489,267 A *	1/1970	Carpenter	A47J 33/00 206/499
5,579,914 A *	12/1996	Thore	A47J 33/00 206/542
6,915,797 B1 *	7/2005	Lightbourne	F24C 7/10 126/9 R
7,013,671 B1 *	3/2006	Bolda	A45C 11/20 206/541

* cited by examiner

Primary Examiner — Terry Wallace

(74) *Attorney, Agent, or Firm* — Jelis Patent Services, LLC;
Stanley E. Jelic

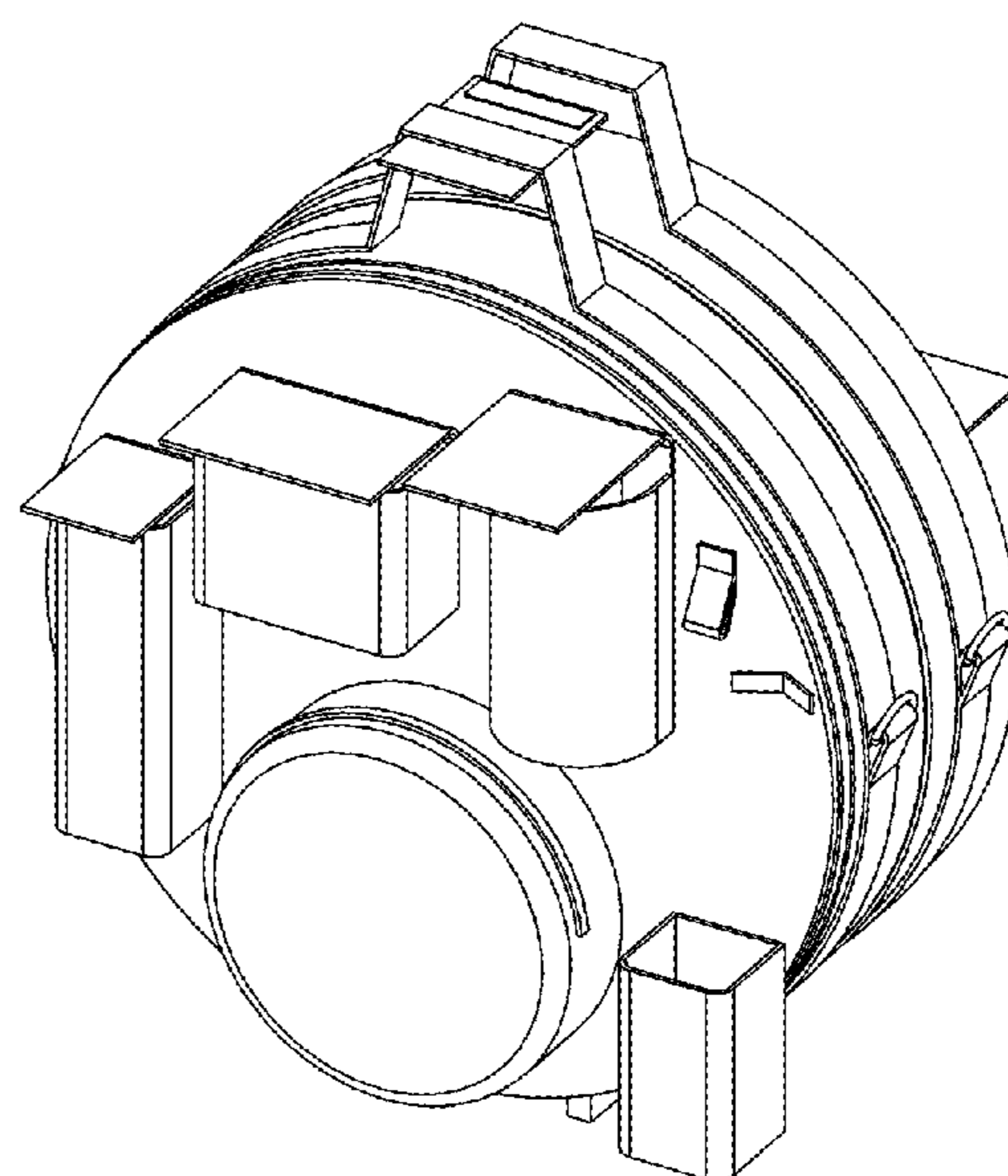
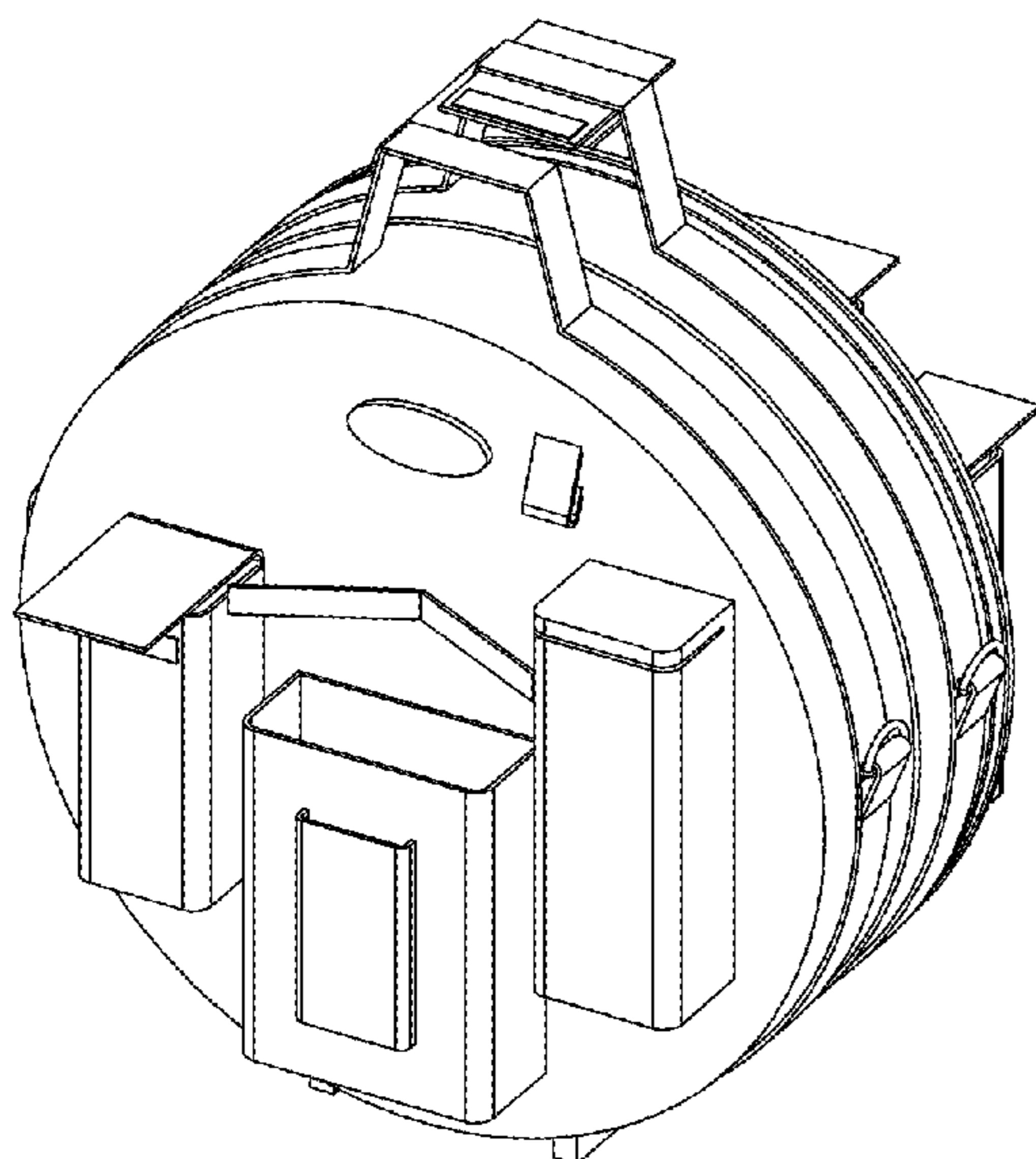
(57) **CLAIM**

We claim the ornamental design for a portable cooking apparatus carrying case, as shown and described.

DESCRIPTION

FIG. 1 is a perspective view of a portable cooking apparatus carrying case showing an inside right-view.
FIG. 2 is a perspective inside left-view thereof.
FIG. 3 is a front view thereof.
FIG. 4 is a back view thereof.
FIG. 5 is a top view thereof.
FIG. 6 is a bottom side view thereof.
FIG. 7 is a left-side view thereof.
FIG. 8 is a right-side view thereof.
FIG. 9 is a perspective front-view with the portable cooking apparatus carrying case closed; and,
FIG. 10 is a perspective back-view with the portable cooking apparatus carrying case closed.

1 Claim, 5 Drawing Sheets



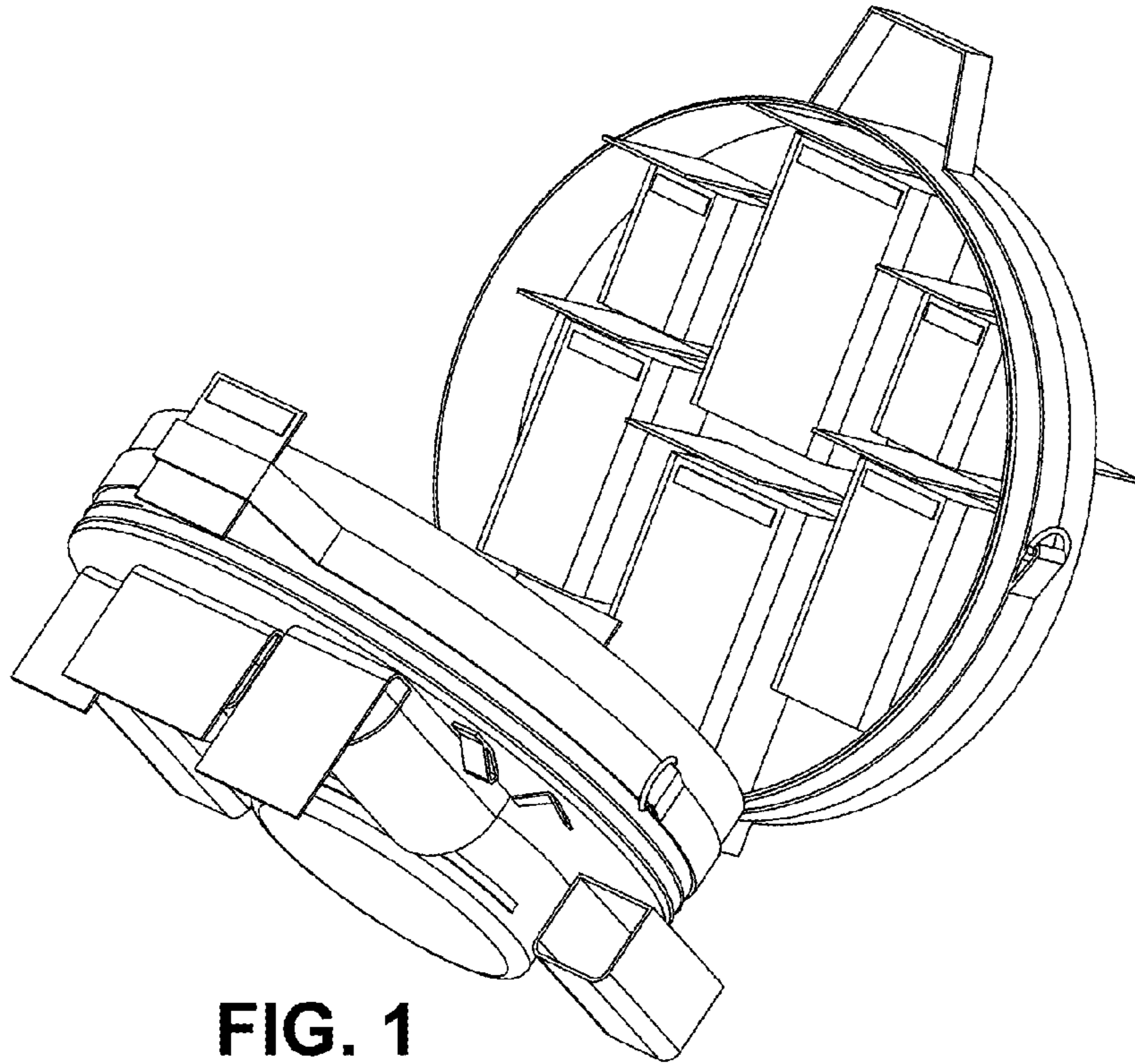


FIG. 1

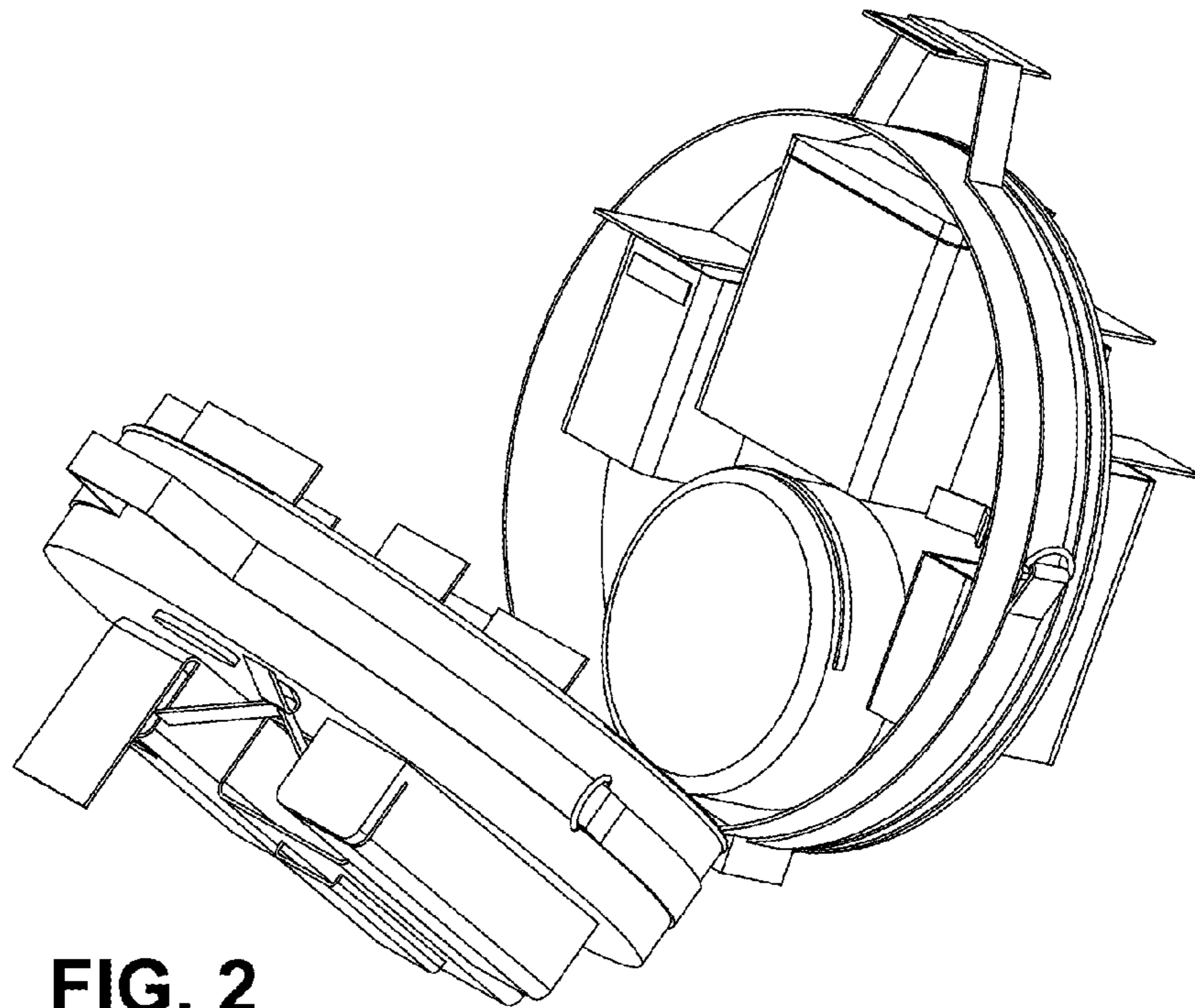


FIG. 2

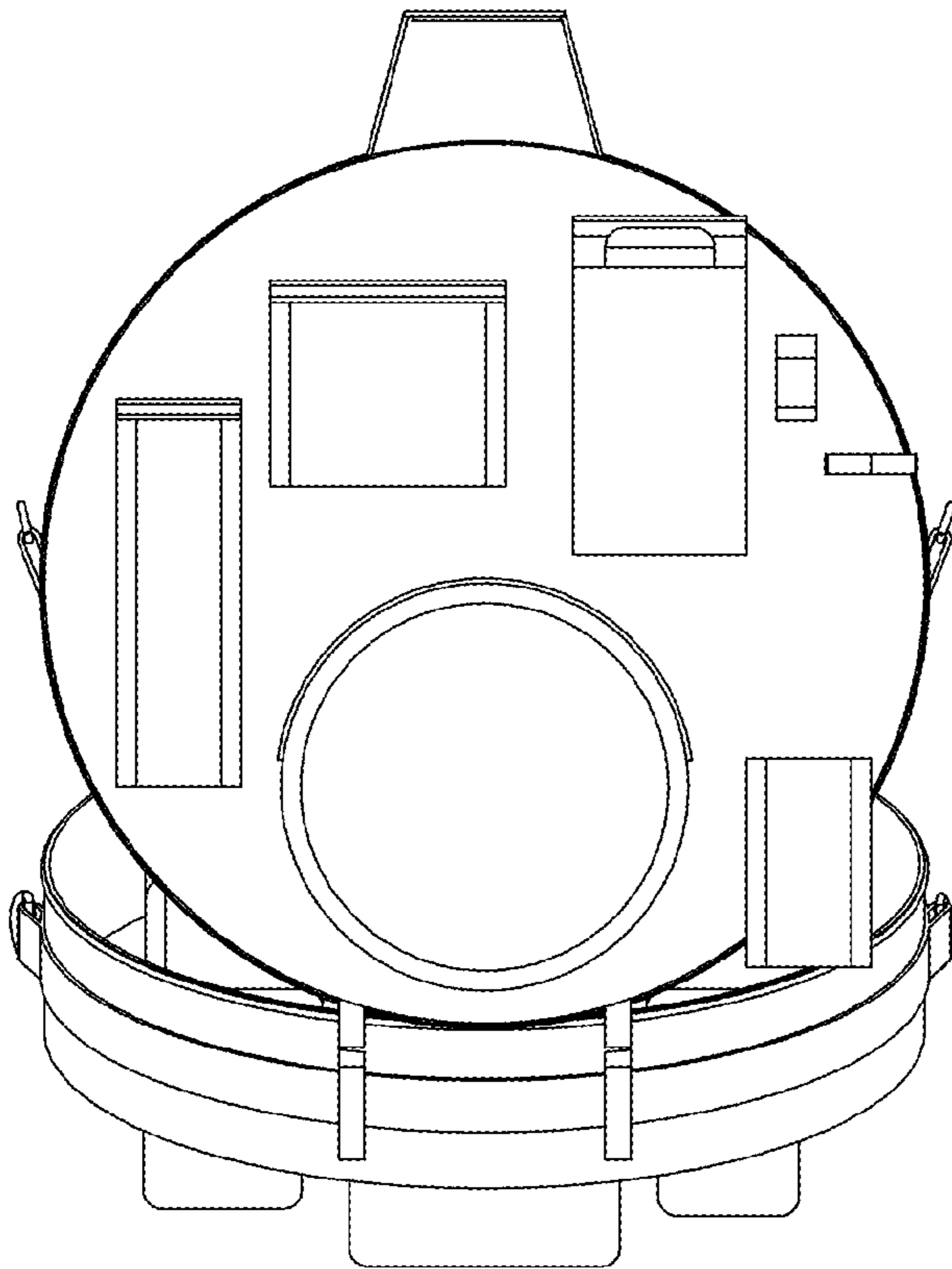


FIG. 3

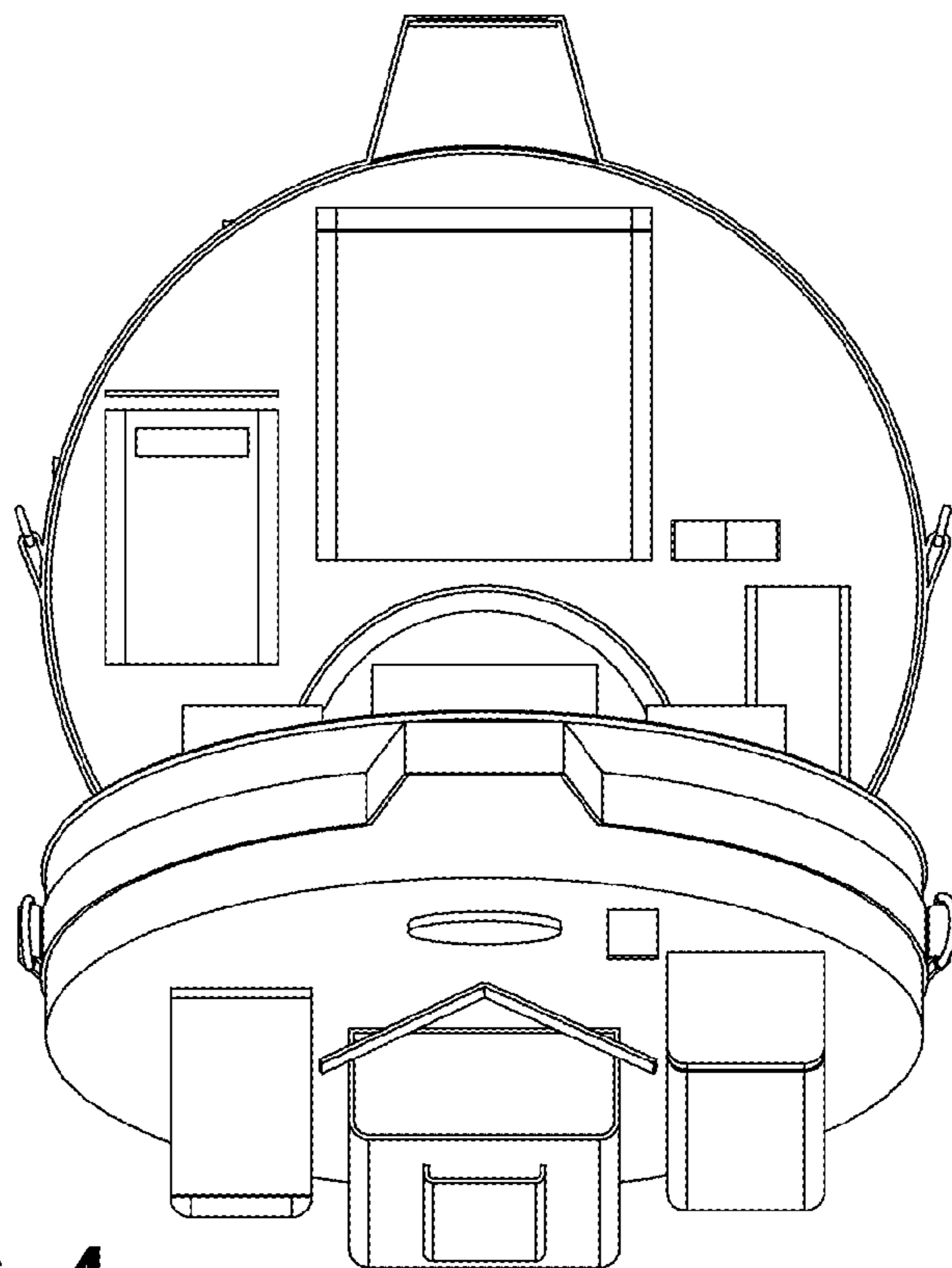


FIG. 4

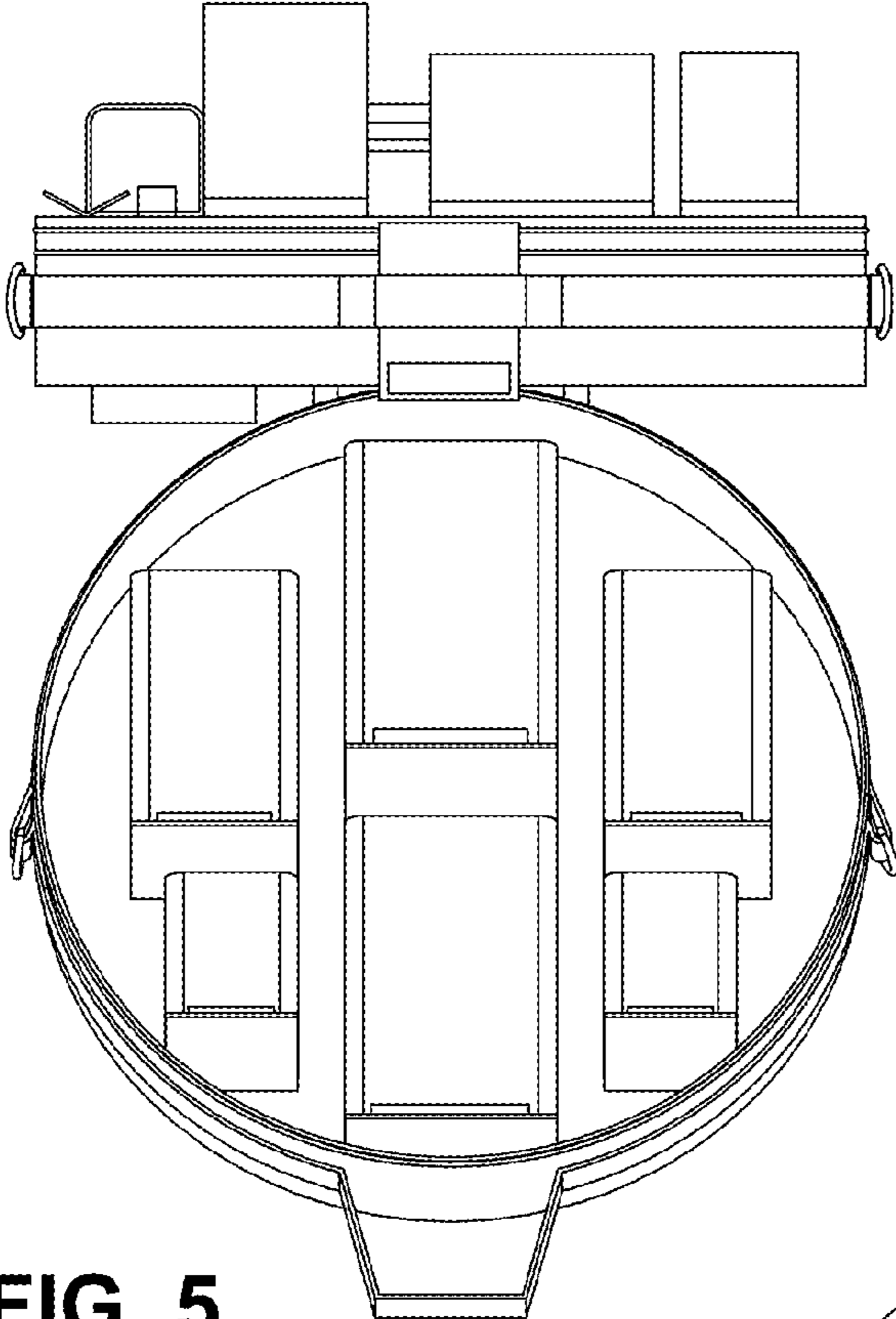


FIG. 5

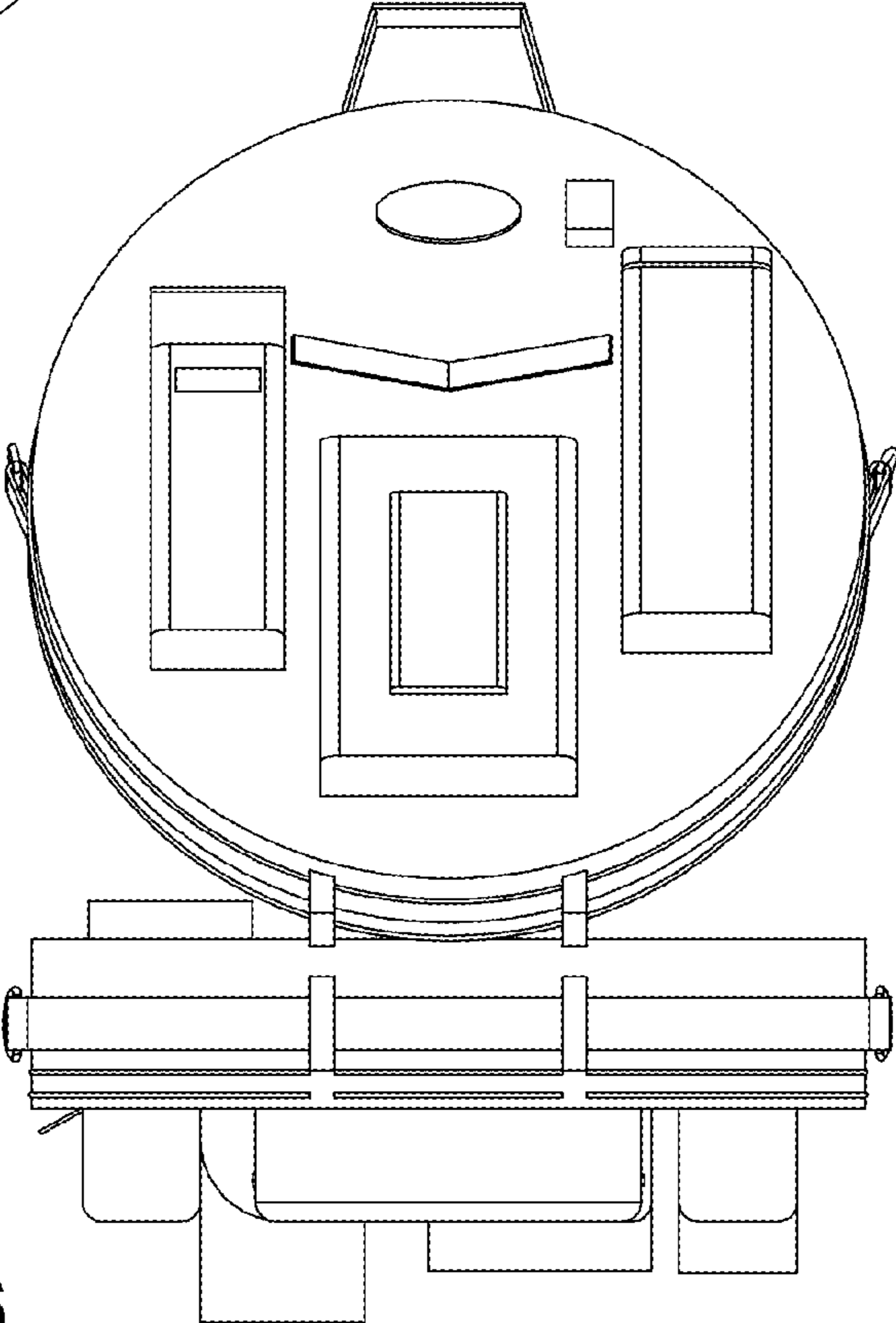


FIG. 6

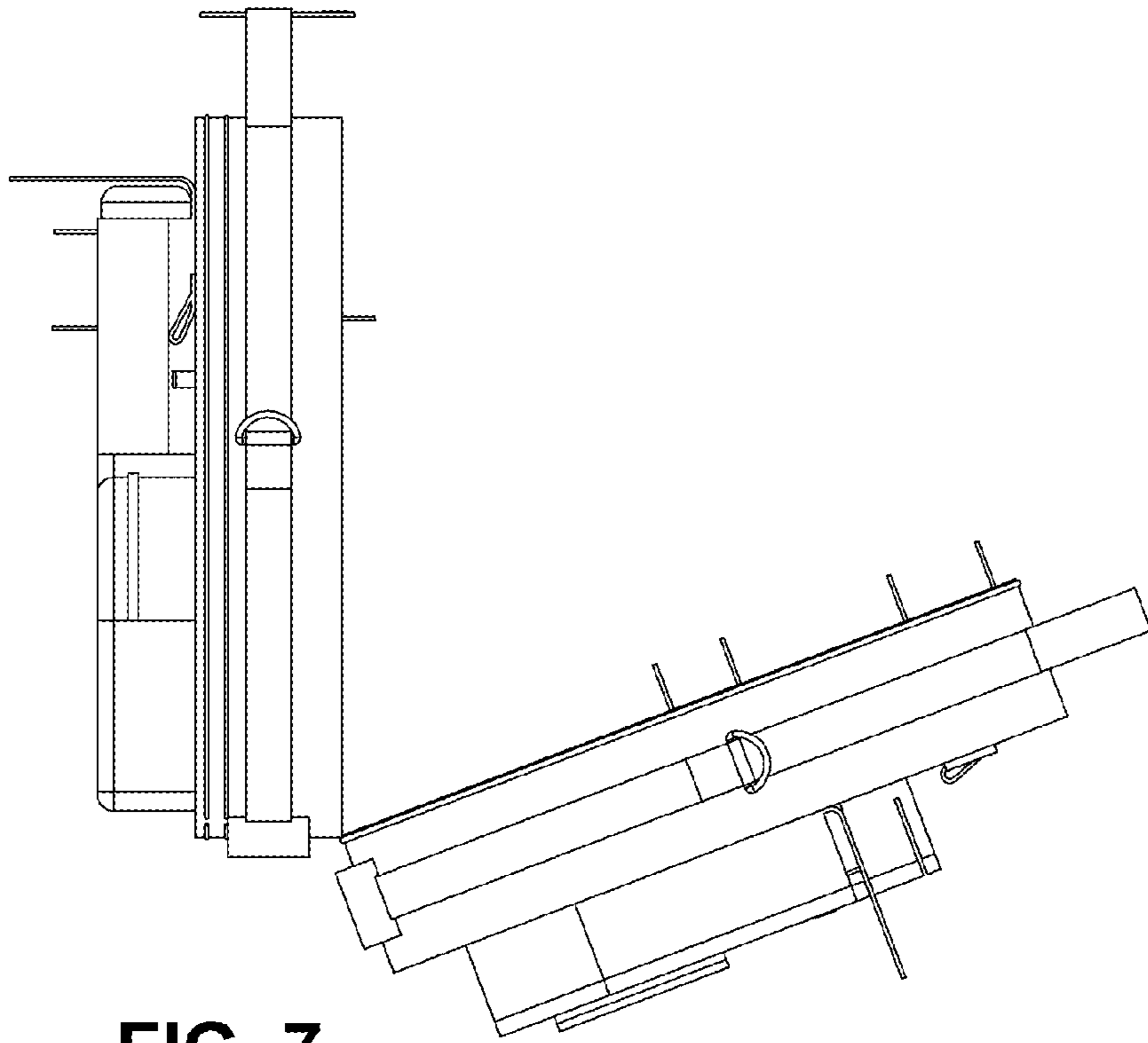


FIG. 7

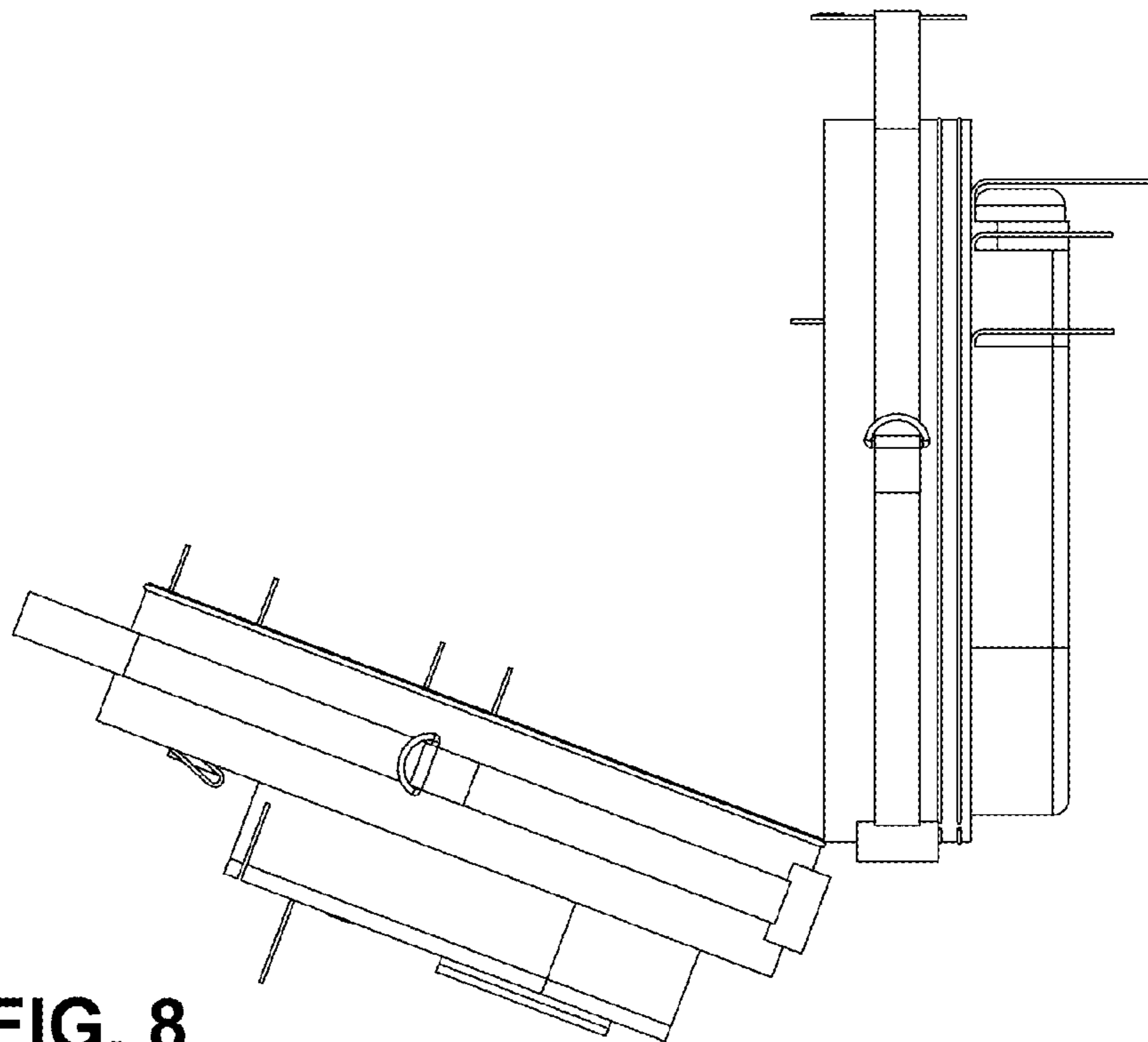


FIG. 8

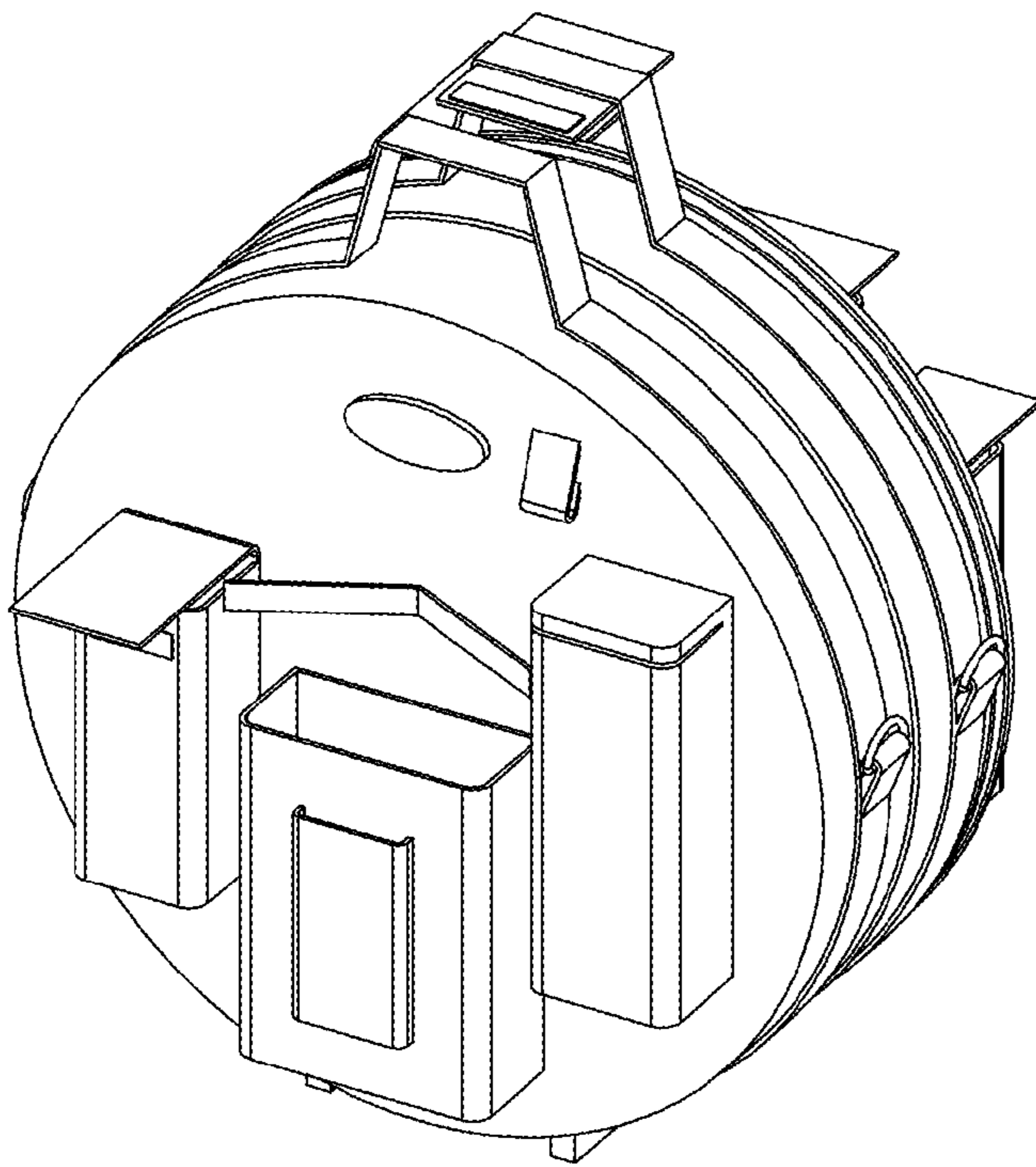


FIG. 9

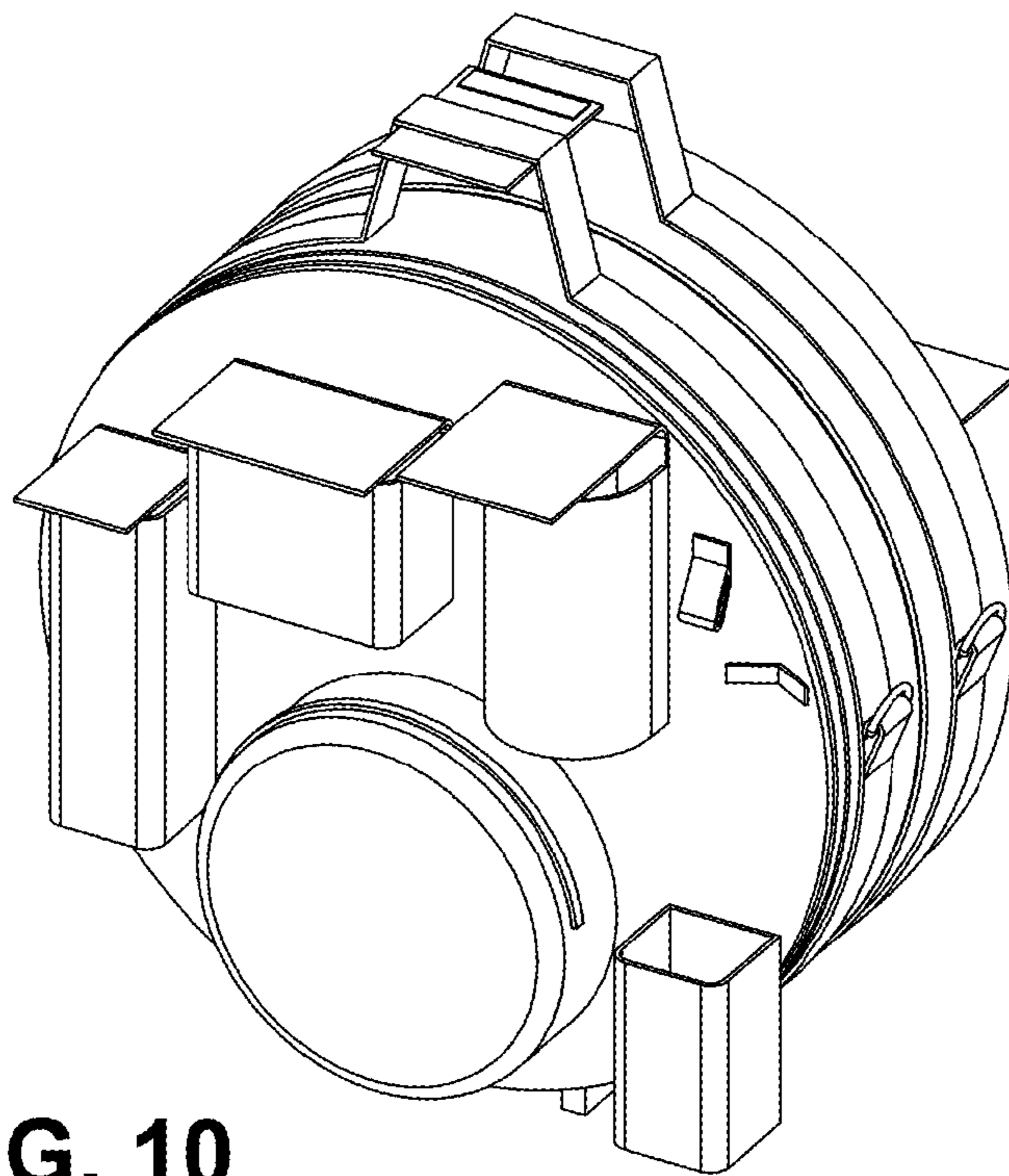


FIG. 10