



US00D751348S

(12) **United States Design Patent**
Smith

(10) **Patent No.:** **US D751,348 S**
(45) **Date of Patent:** **** Mar. 15, 2016**

(54) **SELF-LEVELING BEAN BAG COASTER**

(71) Applicant: **Donald K. Smith**, Bend, OR (US)

(72) Inventor: **Donald K. Smith**, Bend, OR (US)

(**) Term: **14 Years**

(21) Appl. No.: **29/503,742**

(22) Filed: **Sep. 29, 2014**

(51) **LOC (10) Cl.** **07-06**

(52) **U.S. Cl.**
USPC **D7/624.1**

(58) **Field of Classification Search**
USPC D7/619.1-625, 701-708; D9/455, 444
CPC . A47G 23/032; A47G 23/03; A47G 19/2283;
A47G 21/16; A47G 23/0216; A47G 23/0608;
A47G 23/0225; A47G 23/06; B65D 23/065
See application file for complete search history.

(56) **References Cited**

U.S. PATENT DOCUMENTS

2,219,974	A	10/1940	Bellow	
3,028,702	A *	4/1962	St Cyr A47G 23/0216 215/395
D261,592	S *	11/1981	Wilson D7/624.2
D281,755	S *	12/1985	Bradley D7/605
4,788,916	A	12/1988	Saxton	
5,398,898	A *	3/1995	Bever A47G 23/0225 248/154
D383,271	S *	9/1997	Eshelman D32/54
6,941,601	B2 *	9/2005	DeBartolo A47G 23/0216 220/737
8,051,514	B2 *	11/2011	Yarmer A47G 23/06 108/43
8,087,528	B1 *	1/2012	Scarlett A47G 23/0216 220/23.89

OTHER PUBLICATIONS

Bean Bag Dinner Tray—Dinner Tray by Sammon Preston, downloaded from www.amazon.com, Jan. 28, 2015.

Seafit Bean Bag Ashtray, downloaded from www.westmarine.com, Model # 2127132—Mfg # WMASH PW-208, Jan. 28, 2015.

* cited by examiner

Primary Examiner — Terry Wallace

(74) *Attorney, Agent, or Firm* — Leber Patent Law P.C.

(57) **CLAIM**

The ornamental design for a self-leveling bean bag coaster, as shown and described.

DESCRIPTION

FIG. 1 is a top, perspective view of the self-leveling bean bag coaster;

FIG. 2 is a top plan view thereof;

FIG. 3 is a right, elevational view thereof (the front, rear and left-side elevational views area mirror images and thus are omitted); and,

FIG. 4 is a bottom plan view thereof.

A self-leveling bean bag coaster includes a flexible “bean bag” base and a generally rigid planar top surface that allows a liquid filled vessel, e.g. a glass or can, or other item to be stably supported on a non-planar surface. It should be understood that the “bean bag” base can be filled with any suitable pellet-form stuffing.

1 Claim, 3 Drawing Sheets

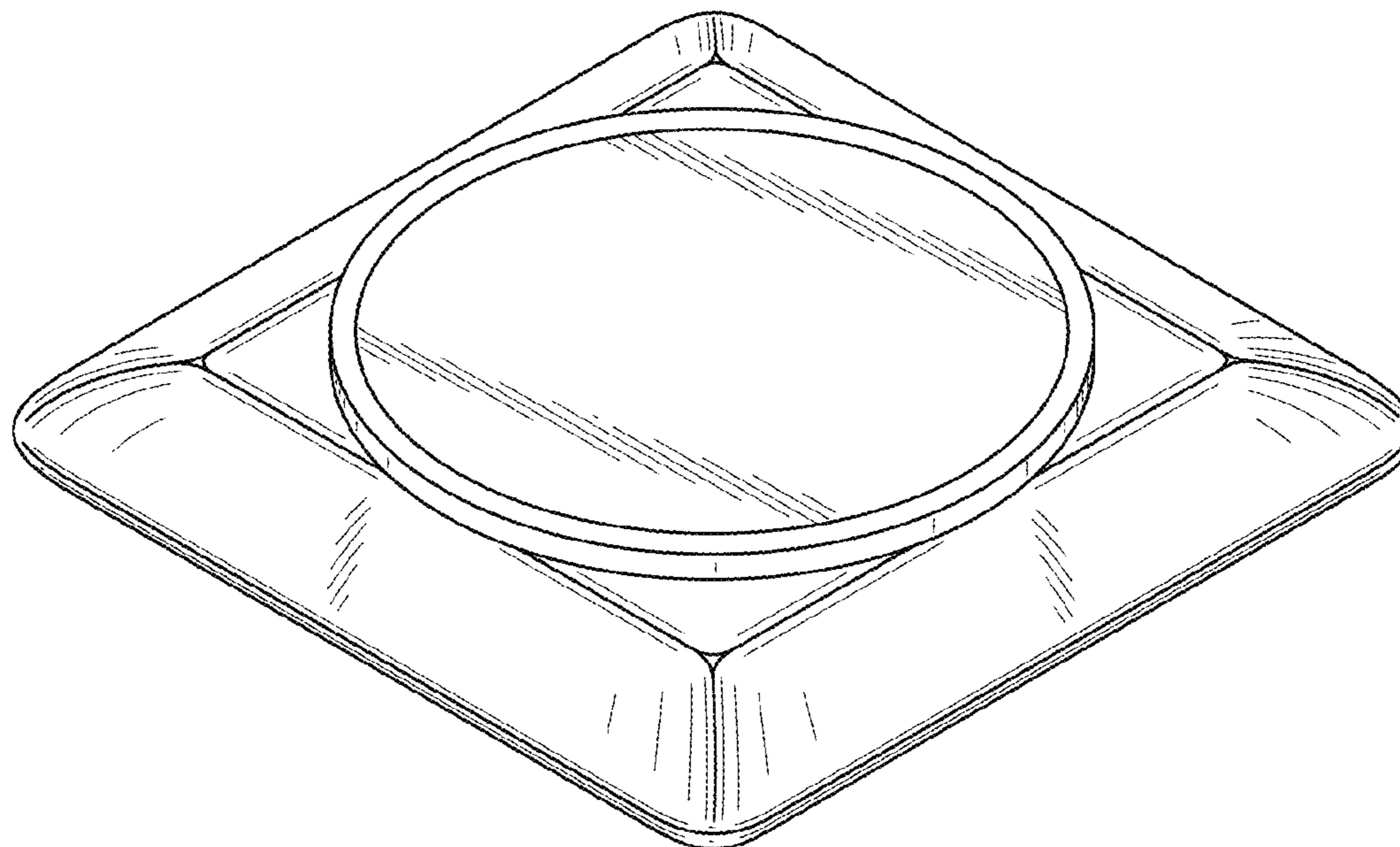


FIG. 1

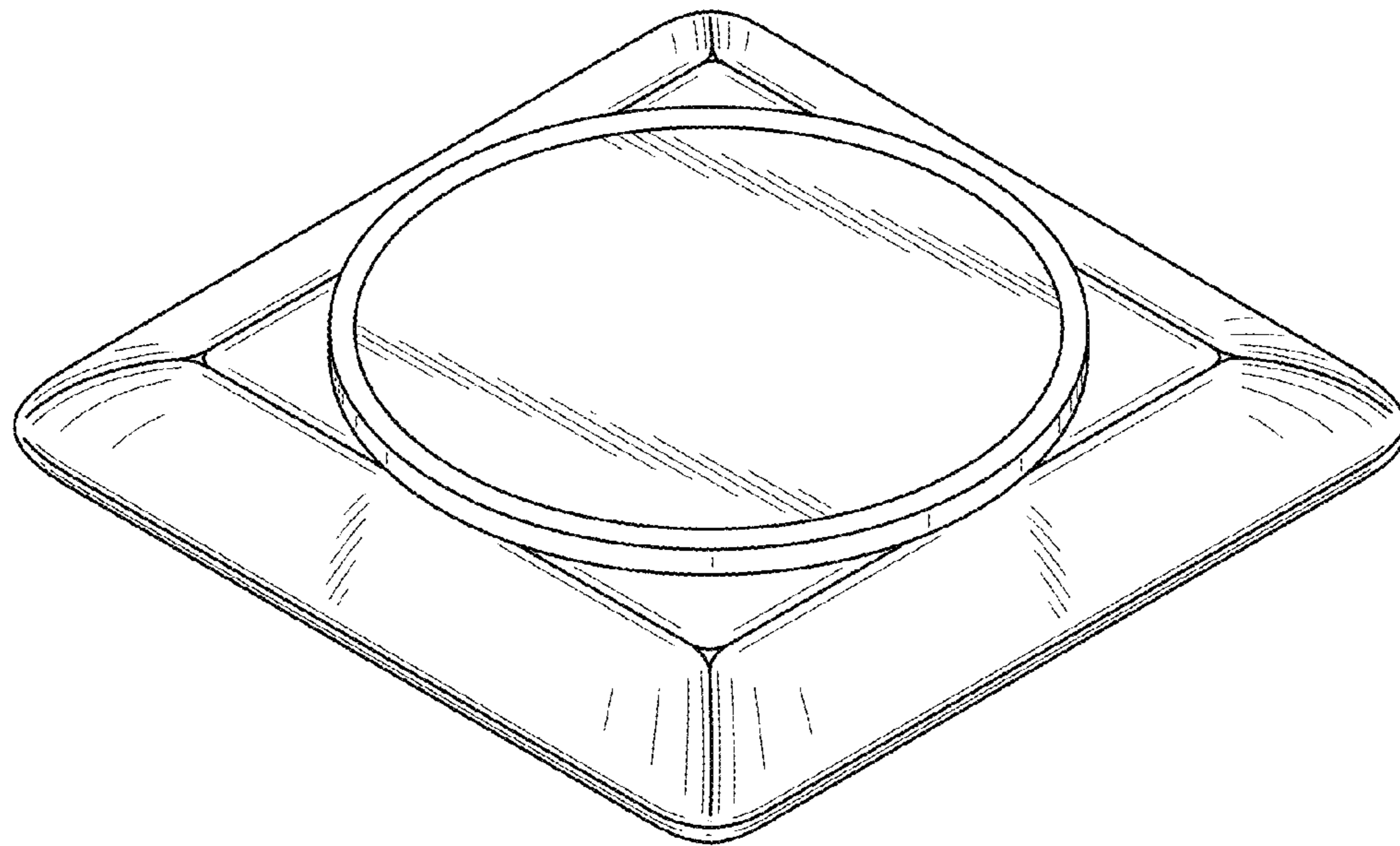


FIG. 2

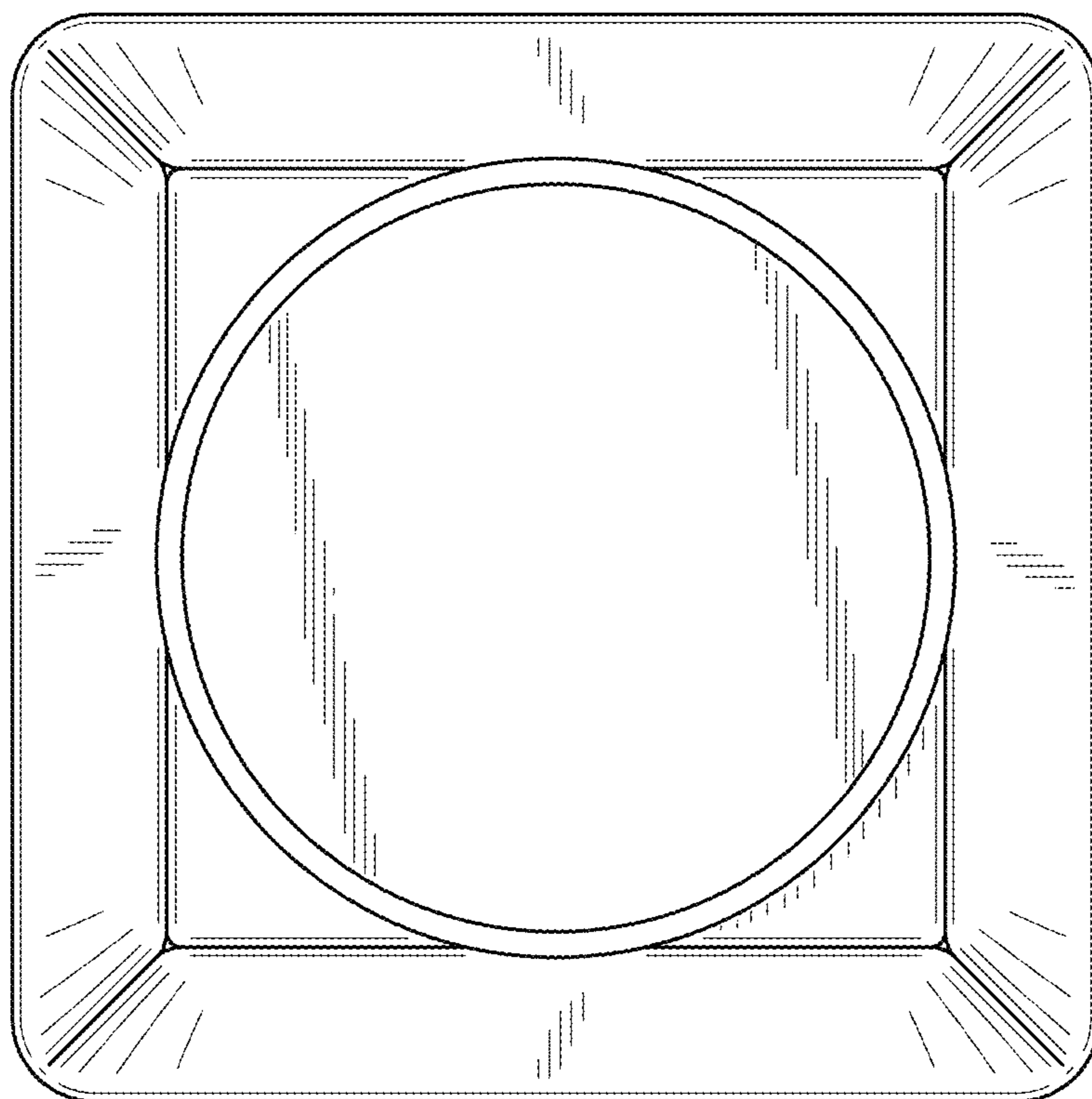


FIG. 3

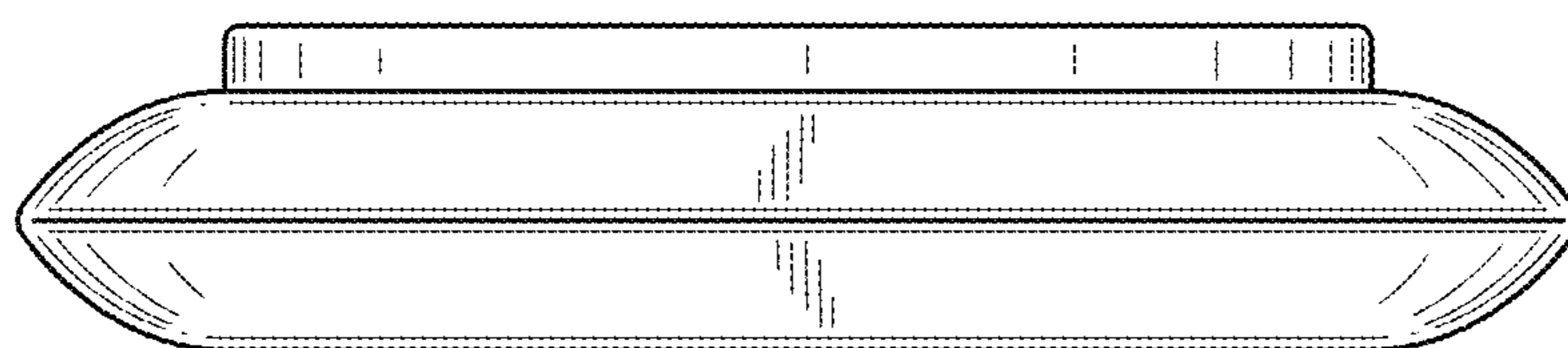


FIG. 4

