



US00D751347S

(12) **United States Design Patent**
DeWald

(10) **Patent No.:** **US D751,347 S**
(45) **Date of Patent:** **** Mar. 15, 2016**

- (54) **PORTABLE WINE GLASS HOLDER**
- (71) Applicant: **Chris DeWald**, Bothell, WA (US)
- (72) Inventor: **Chris DeWald**, Bothell, WA (US)
- (73) Assignee: **SunChaser Products, LLC**, Bothell, WA (US)
- (**) Term: **14 Years**
- (21) Appl. No.: **29/496,542**
- (22) Filed: **Jul. 15, 2014**

Related U.S. Application Data

- (63) Continuation-in-part of application No. 13/752,827, filed on Jan. 29, 2013, now Pat. No. 8,840,078.
- (51) **LOC (10) Cl.** **07-06**
- (52) **U.S. Cl.**
USPC **D7/624.1**
- (58) **Field of Classification Search**
USPC D7/619.1-625; 248/311.2, 312, 346.11;
220/23.2, 574, 737-741; 215/392-396
CPC A47G 23/02; A47G 23/032; A47G 23/03;
F16M 13/02; B60N 3/10
See application file for complete search history.

(56) **References Cited**

U.S. PATENT DOCUMENTS

- 2,602,310 A * 7/1952 Hansen A47G 19/06
206/426
- 4,860,895 A * 8/1989 Iaslovits A47G 23/0633
206/426
- 5,397,089 A * 3/1995 Kataoka A47G 23/0225
220/23.83

- 5,897,041 A * 4/1999 Ney B60N 3/101
248/311.2
- 6,059,138 A * 5/2000 Labruyere A47G 23/0225
220/23.4
- 8,132,770 B2 * 3/2012 Nargi A47G 23/0225
220/737
- D687,264 S * 8/2013 Stetson D7/624.1

* cited by examiner

Primary Examiner — Terry Wallace

(74) *Attorney, Agent, or Firm* — Baumgartner Patent Law;
Marc Baumgartner

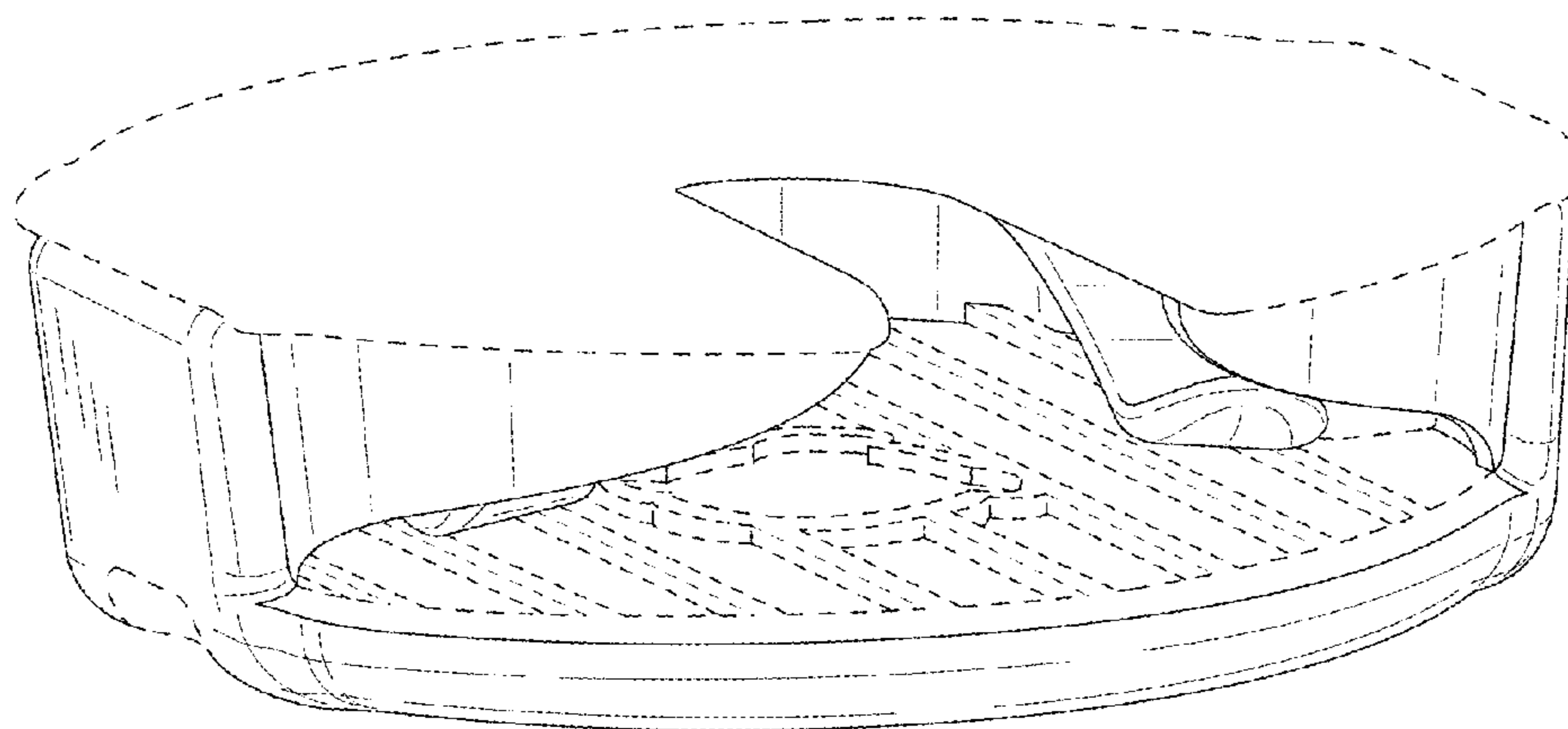
(57) **CLAIM**

The ornamental design for a portable wine glass holder, as shown and described.

DESCRIPTION

FIG. 1 is a front perspective view of the portable wine glass holder.
 FIG. 2 is a front perspective view of the portable wine glass holder retaining a wine glass.
 FIG. 3 is a top view of the portable wine glass holder.
 FIG. 4 is a bottom view of the portable wine glass holder.
 FIG. 5 is a right elevation view of the portable wine glass holder.
 FIG. 6 is a left elevation view of the portable wine glass holder.
 FIG. 7 is a front elevation view of the portable wine glass holder; and,
 FIG. 8 is a rear elevation view of the portable wine glass holder.
 The broken lines in the drawings depict portions that are not part of the claimed design, but rather show the environment in which the design is associated.

1 Claim, 6 Drawing Sheets



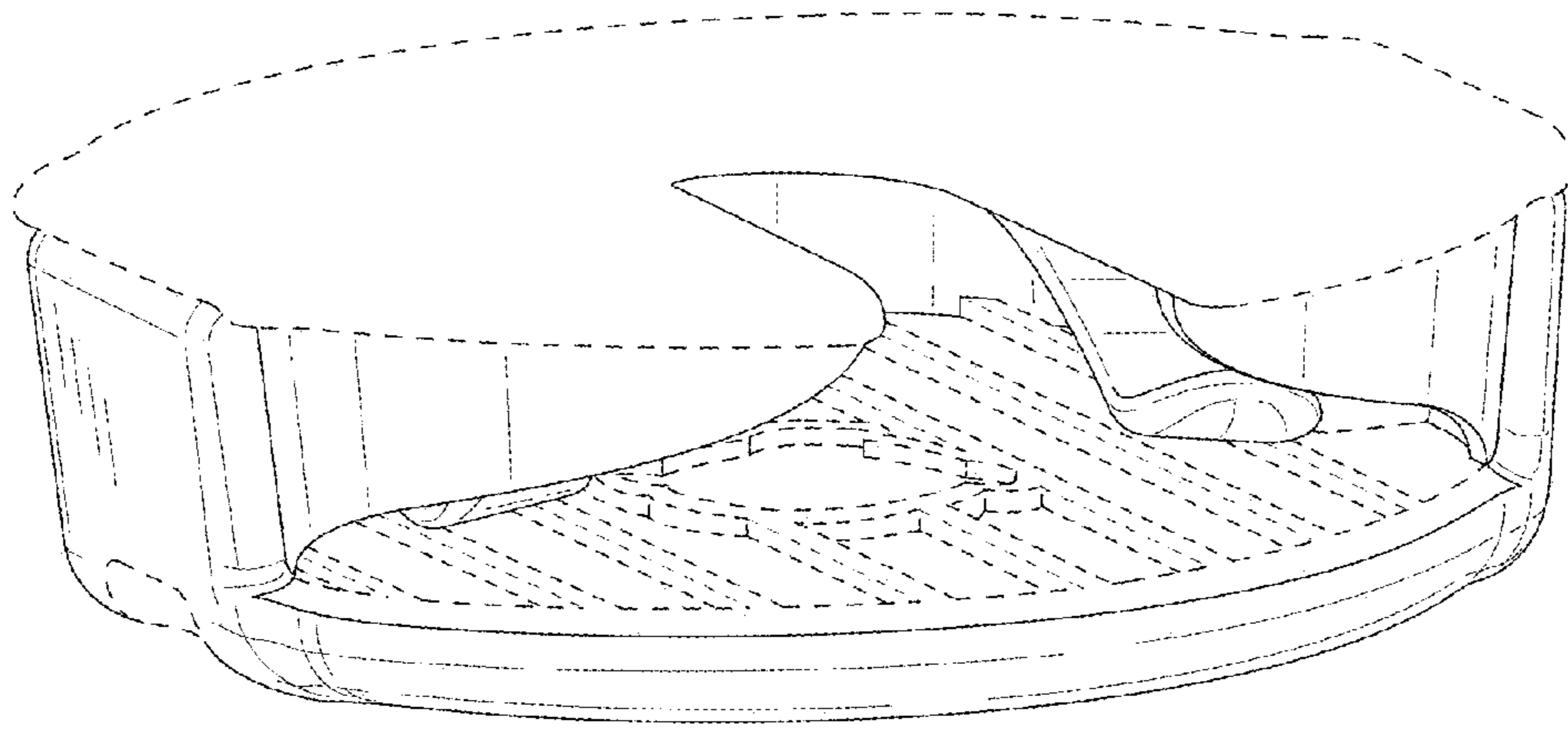


FIG. 1

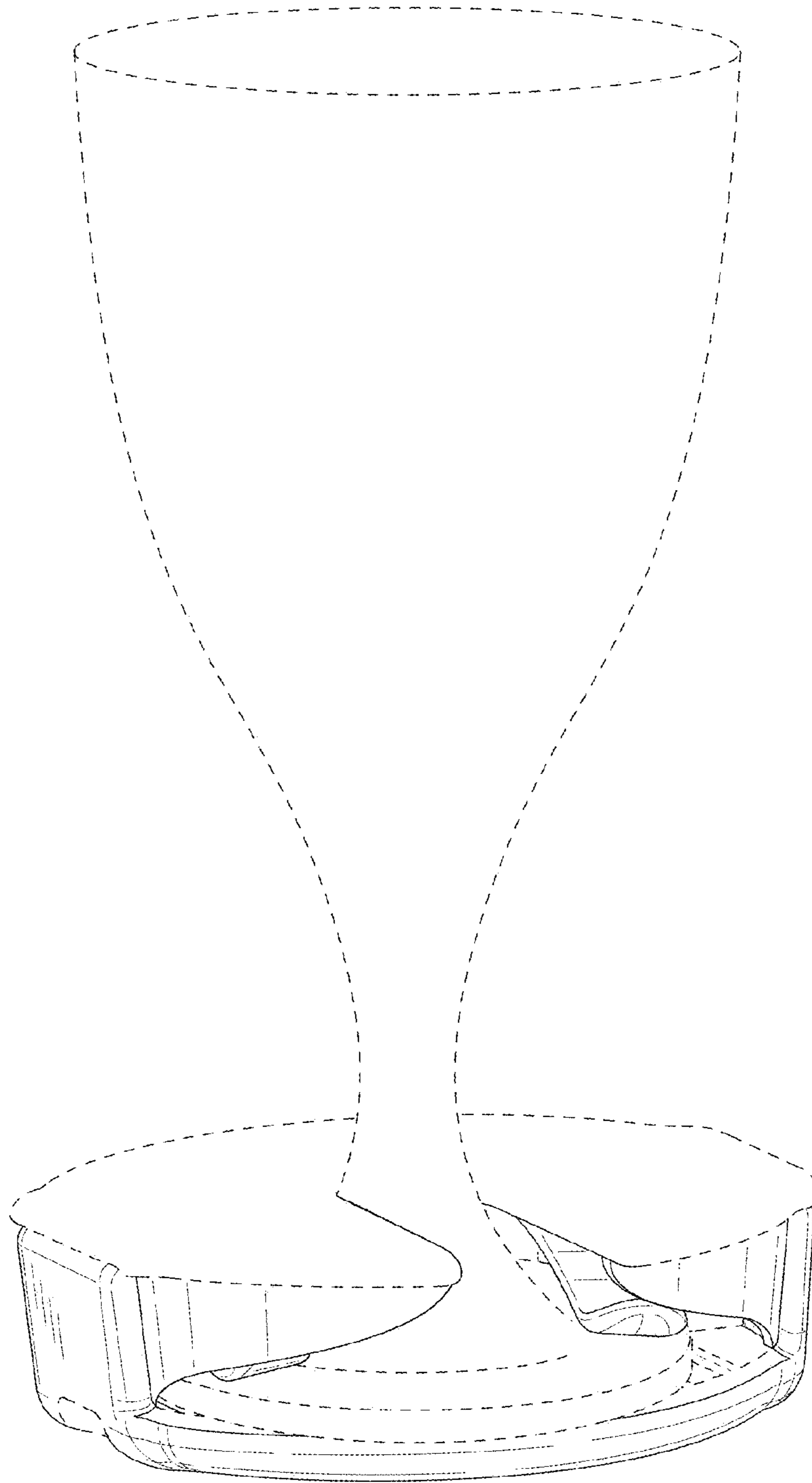


FIG. 2

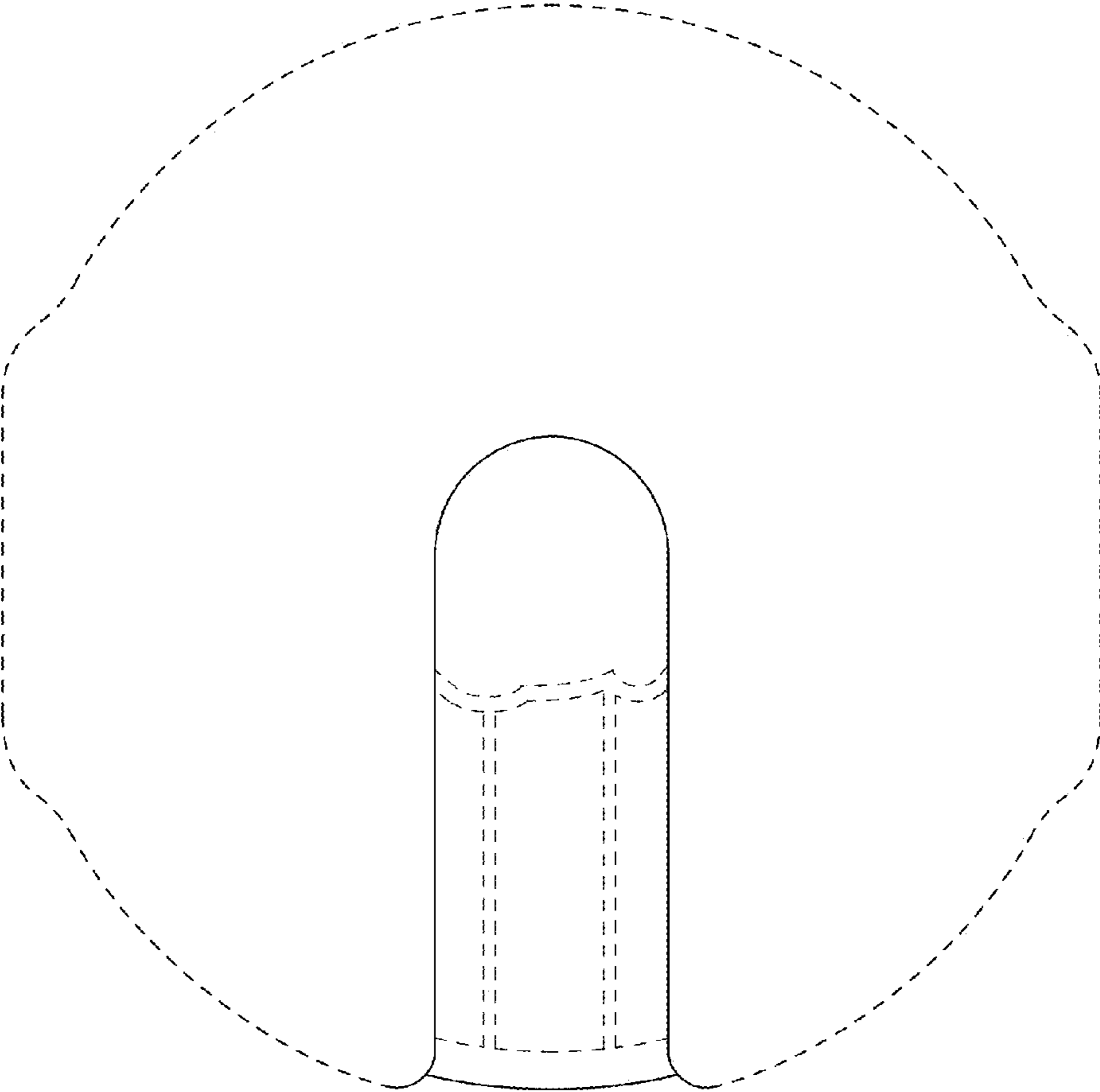


FIG. 3

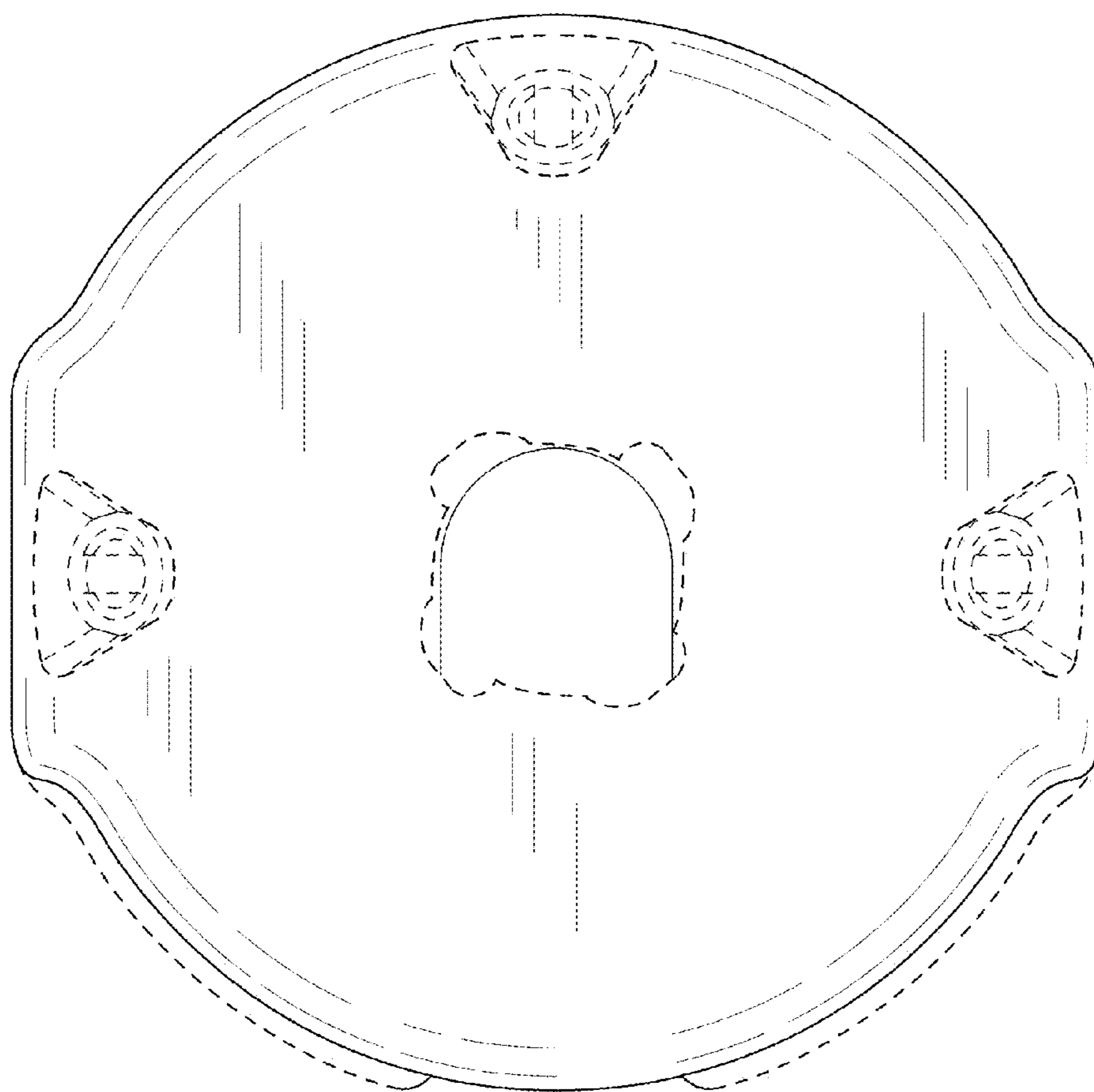


FIG. 4

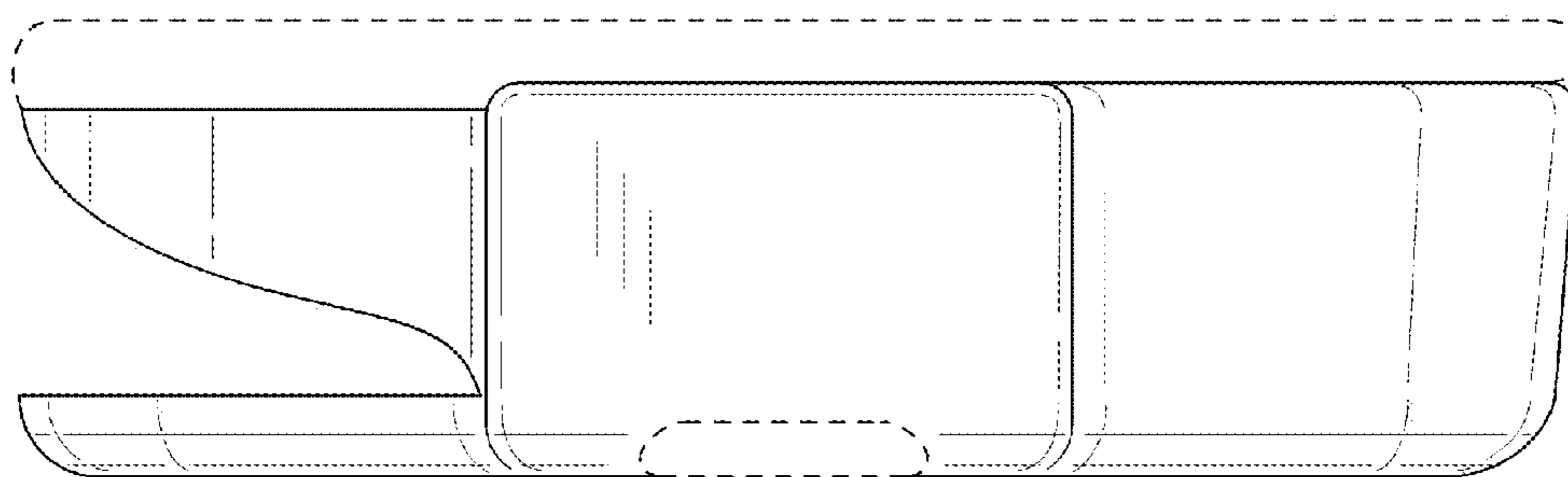


FIG. 5

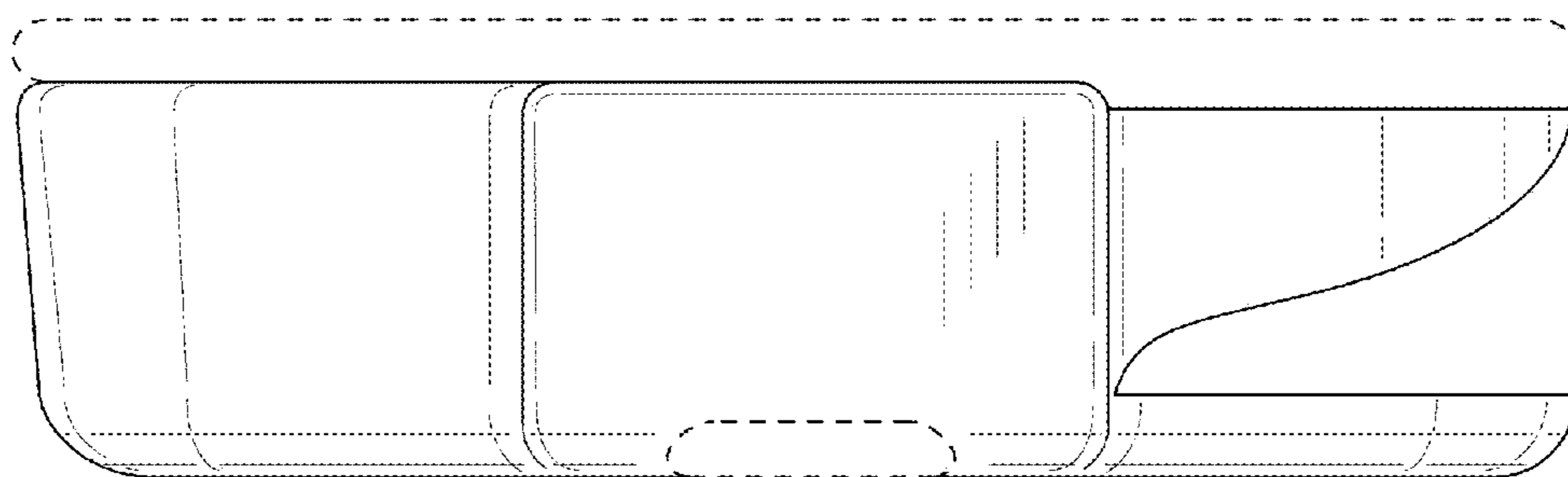


FIG. 6

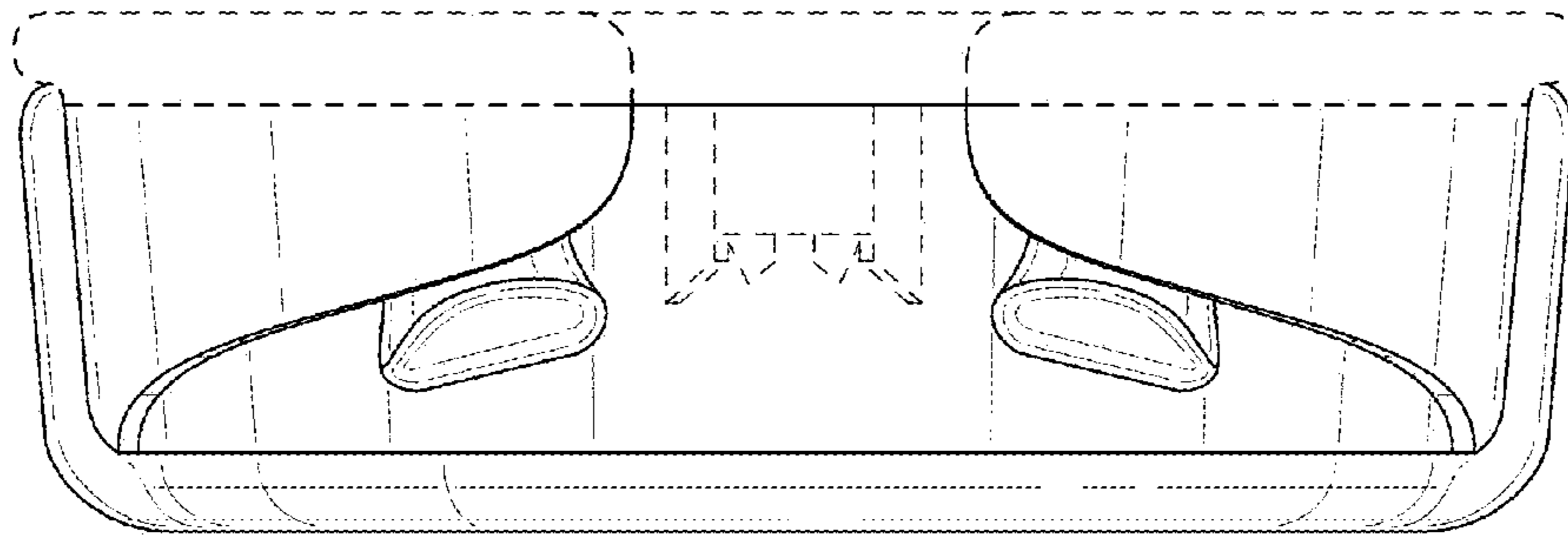


FIG. 7

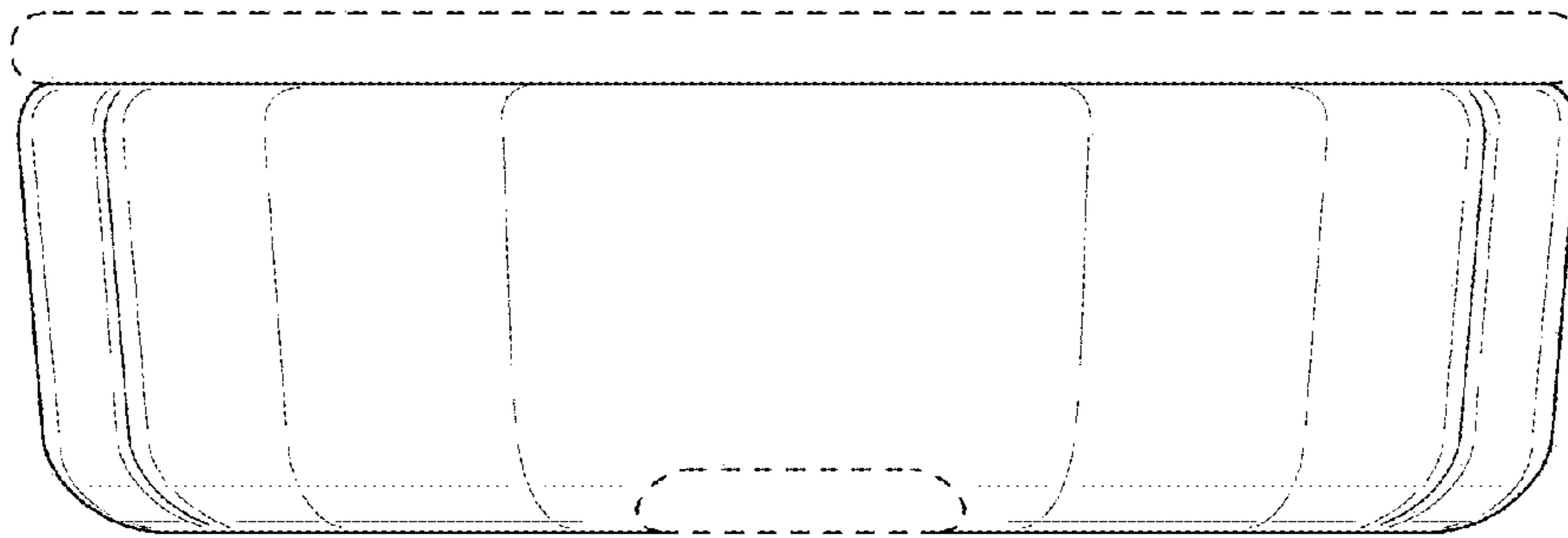


FIG. 8