



US00D751342S

(12) **United States Design Patent**
Steeb

(10) **Patent No.:** **US D751,342 S**
(45) **Date of Patent:** **** Mar. 15, 2016**

- (54) **PANCAKE FORMING PLATES FOR PANCAKE BAKER**
- (71) Applicant: **Heartland Food Products, Inc.**,
Westwood, KS (US)
- (72) Inventor: **William R Steeb**, Kansas City, MO (US)
- (73) Assignee: **Heartland Food Products, LLC**,
Westwood, KS (US)
- (**) Term: **14 Years**
- (21) Appl. No.: **29/514,458**
- (22) Filed: **Jan. 13, 2015**
- (51) **LOC (10) Cl.** **07-02**
- (52) **U.S. Cl.**
USPC **D7/410; D7/352; D7/362**
- (58) **Field of Classification Search**
USPC D7/323, 328–330, 337, 347, 352–364,
D7/367, 402, 409–411, 549
CPC A21B 5/023; A21C 11/006; A47J 27/60;
A47J 27/62; A47J 37/04; A47J 37/06; A47J
37/067; A47J 37/0605; A47J 37/0611; A47J
37/0623; A47J 37/0629; A47J 37/0676;
A47J 2037/06; A47J 2037/0611; F24C 15/10;
F24C 15/102; H05B 3/68; H05B 6/02; H05B
6/062
See application file for complete search history.

(56) **References Cited**

U.S. PATENT DOCUMENTS

- 246,194 A * 8/1881 Patton A47J 37/0611
99/377
- 2,276,005 A * 3/1942 Vouvalidis H05B 3/68
219/458.1
- 3,068,778 A * 12/1962 Majerus A47J 37/0611
99/375
- 3,377,942 A * 4/1968 Carbon A47J 37/0611
16/361
- 3,528,361 A 9/1970 Le Van
- 3,581,652 A 6/1971 Chauvin
- 3,646,880 A 3/1972 Norris

- 3,799,047 A * 3/1974 Freeman A47J 37/0611
99/332
- 4,167,900 A * 9/1979 Eichler A47J 37/0611
100/226
- D276,208 S * 11/1984 LaDuca D7/352
- 4,664,025 A * 5/1987 Martinez A47J 37/0611
100/292
- 4,803,918 A * 2/1989 Carbon A47J 37/0611
219/524
- 5,088,391 A 2/1992 Anderson
- 5,481,963 A 1/1996 Sesona et al.
- 5,636,564 A * 6/1997 Weiss A47J 37/0611
219/441
- 5,642,659 A 7/1997 Sesona et al.
- D400,402 S * 11/1998 Petkovich, Jr. D7/505
- 5,937,742 A 8/1999 Steeb et al.
- 6,092,459 A 7/2000 Zhang
- 6,539,844 B1 4/2003 Bart
- 6,550,374 B1 4/2003 Bart
- 6,595,114 B1 7/2003 Endres et al.

(Continued)

Primary Examiner — Ricky Pham

(74) *Attorney, Agent, or Firm* — Frederic Dowert, Lawyers;
Penina Michlin Chiu

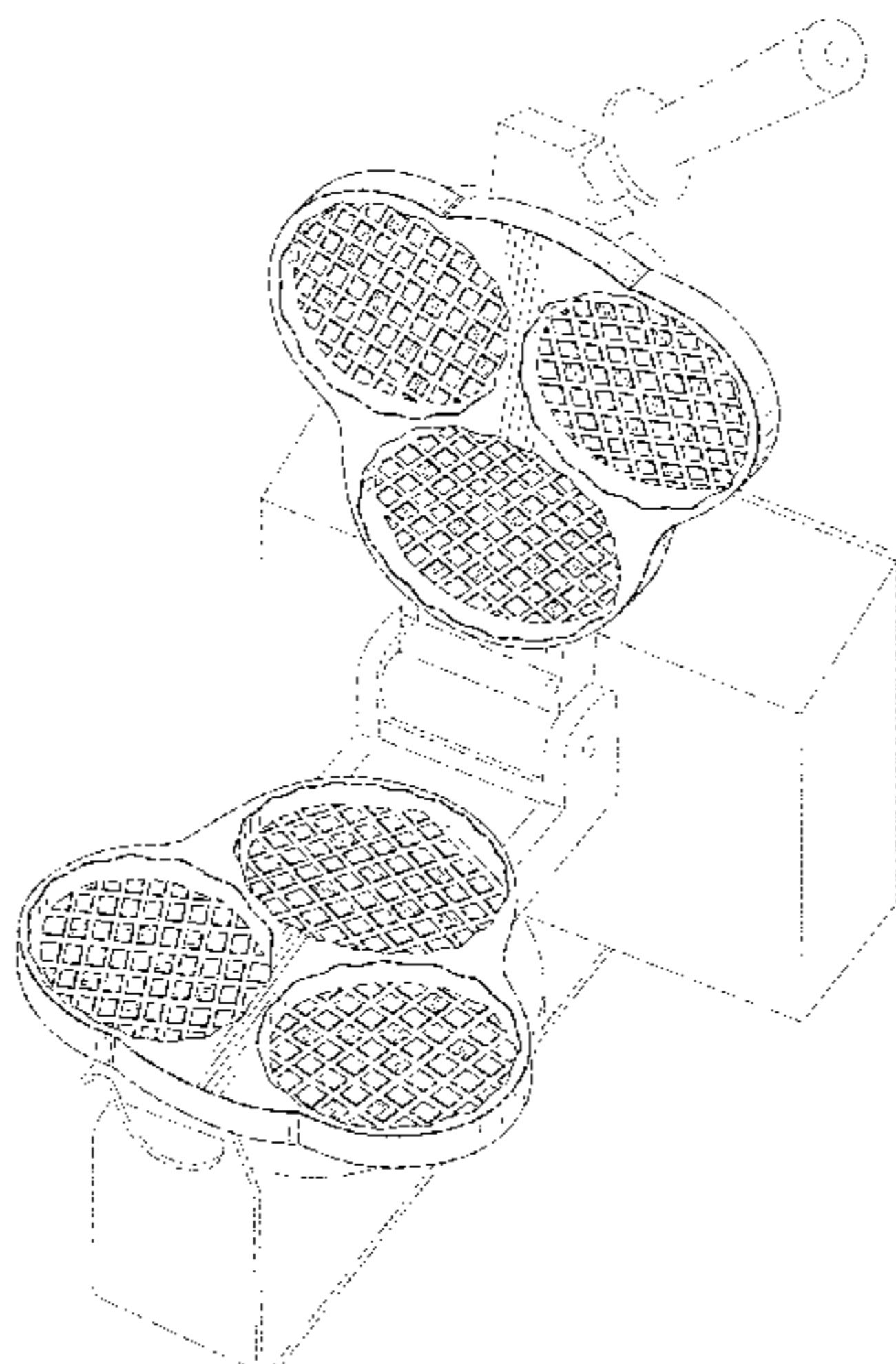
(57) **CLAIM**

The ornamental design for a pancake forming plates for pan-
cake baker, as shown and described.

DESCRIPTION

FIG. 1 is a perspective view of a pancake baker, with a pair of
opposed mirror image pancake forming plates in accordance
with the invention and shown with an associated baker appa-
ratus indicated in phantom;
FIG. 2 is an enlarged top plan view of one of the plates;
FIG. 3 is an enlarged front elevational view of the plate of
FIG. 2;
FIG. 4 is an enlarged rear elevational view of the plate of FIG.
2;
FIG. 5 is an enlarged cross sectional view of the plate of FIG.
2, along line 5-5 of FIG. 2; and,
FIG. 6 is an enlarged first side elevational view of the plate of
FIG. 2 with a second side elevational view being a mirror
image thereof.

1 Claim, 3 Drawing Sheets



(56)

References Cited

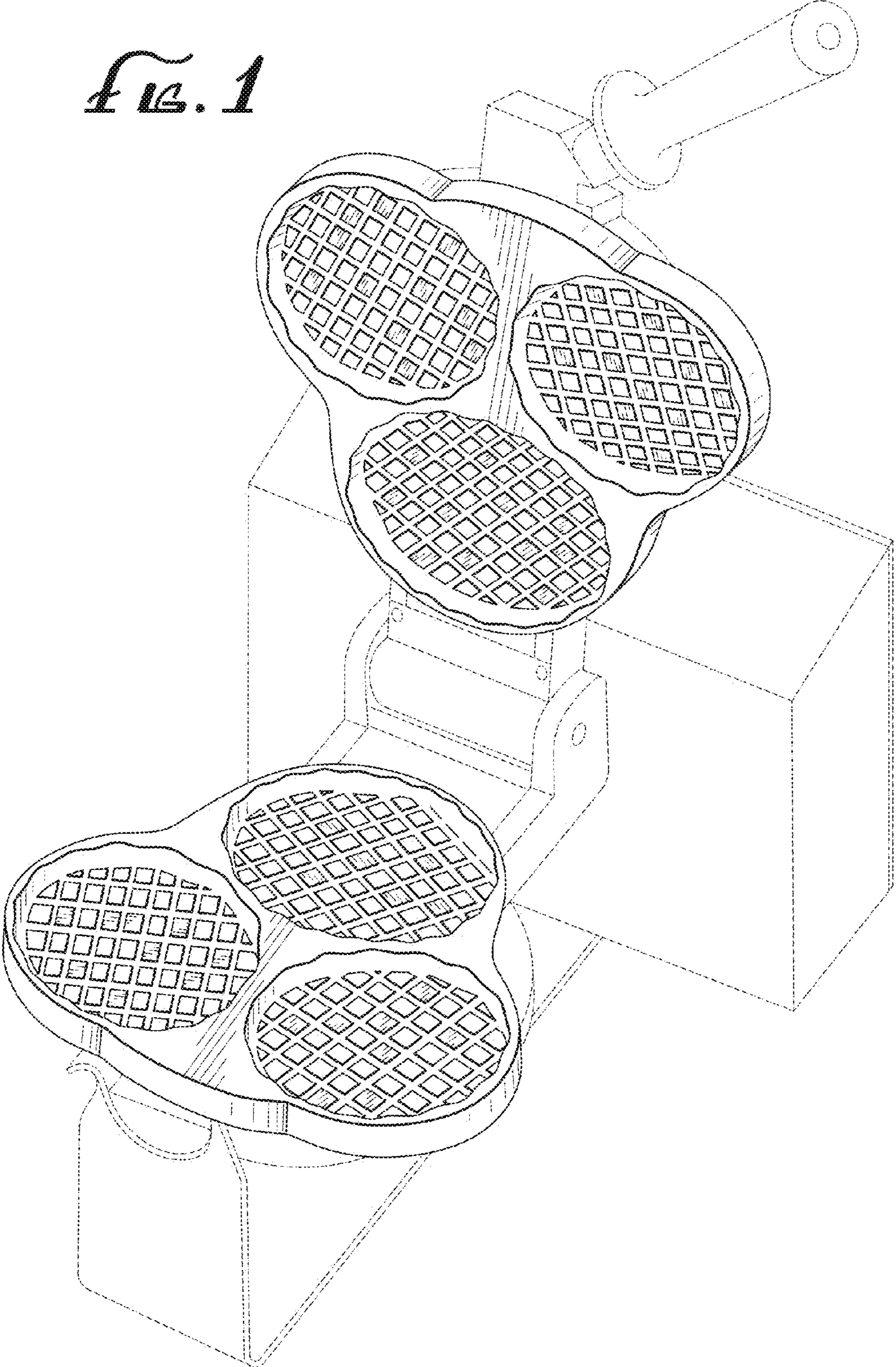
U.S. PATENT DOCUMENTS

6,681,683 B2 1/2004 Bart
7,318,575 B2 1/2008 Welch et al.
7,325,483 B2 2/2008 Szymanski

8,003,921 B2 8/2011 Lagrange et al.
8,151,695 B2 4/2012 Szymanski
8,286,548 B2 10/2012 Krishnan et al.
9,149,046 B2* 10/2015 McCarney A21C 11/006

* cited by examiner

FIG. 1



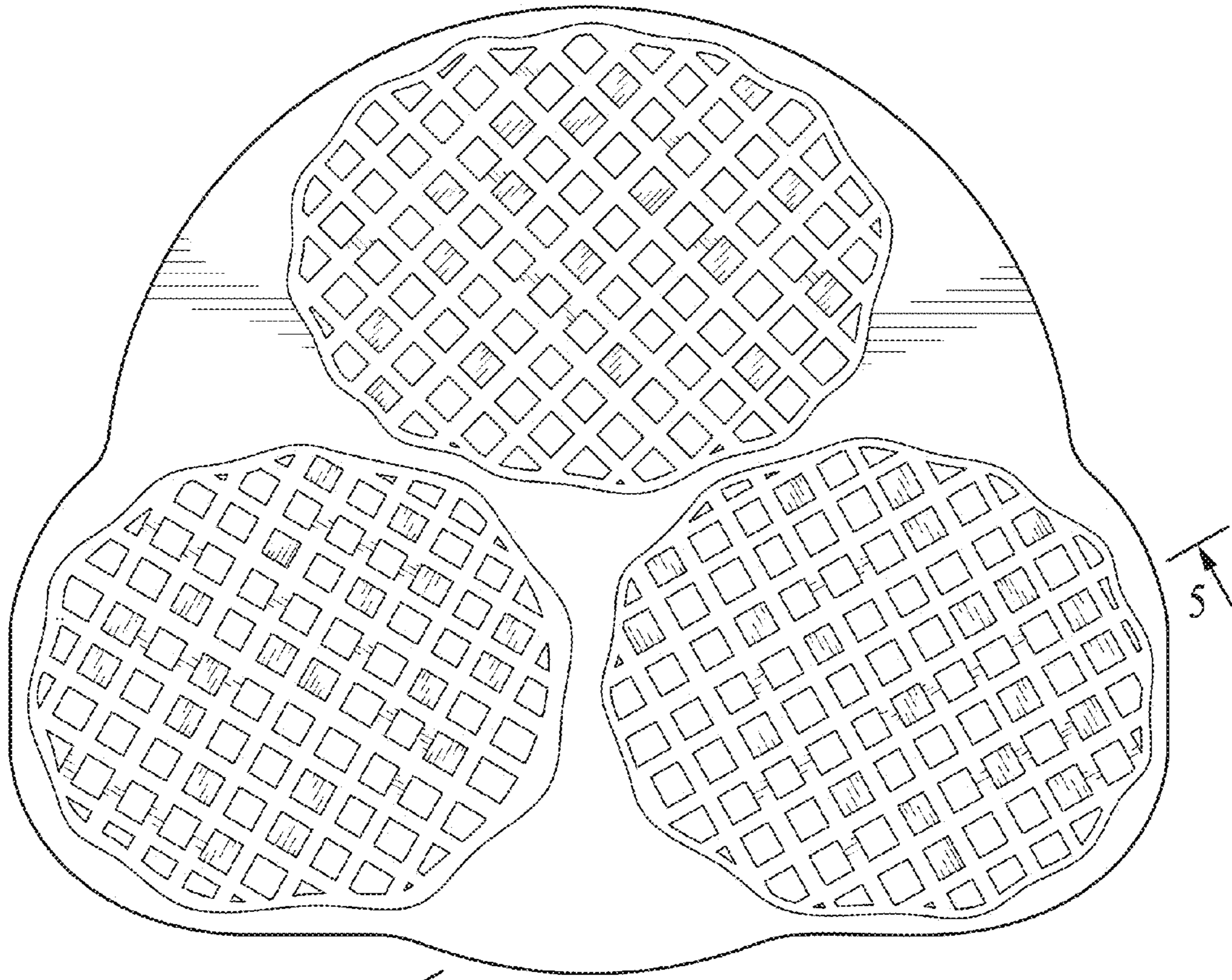


FIG. 2



FIG. 3



FIG. 4



FIG. 5



FIG. 6