



US00D751339S

(12) **United States Design Patent**
Seiders et al.

(10) **Patent No.:** **US D751,339 S**
(45) **Date of Patent:** **** Mar. 15, 2016**

- (54) **LID**
- (71) Applicant: **YETI Coolers, LLC**, Austin, TX (US)
- (72) Inventors: **Roy Joseph Seiders**, Austin, TX (US);
Steve Nichols, Austin, TX (US)
- (73) Assignee: **YETI Coolers, LLC**, Austin, TX (US)
- (**) Term: **15 Years**
- (21) Appl. No.: **29/544,610**
- (22) Filed: **Nov. 4, 2015**
- (51) **LOC (10) Cl.** **07-01**
- (52) **U.S. Cl.**
USPC **D7/396.2; D9/449**
- (58) **Field of Classification Search**
USPC D7/392.1, 394, 396.2, 510, 511, 900;
D9/434, 435, 436, 438, 440, 443, 446,
D9/447, 449, 499
CPC B65D 17/00; B65D 17/166; B65D 47/286;
B65D 51/007; B65D 51/1672
See application file for complete search history.

- D523,692 S 6/2006 Meehan
- D530,153 S 10/2006 Karp
- D531,033 S 10/2006 Schmidtner et al.
- D531,451 S 11/2006 Bin

(Continued)

FOREIGN PATENT DOCUMENTS

- WO 2007087185 A2 8/2007
- WO 2008021523 A2 2/2008

(Continued)

OTHER PUBLICATIONS

Pictures of Great American Products Tumbler, published date unknown, but prior to the filing date of the present application.

(Continued)

Primary Examiner — Robert M Spear

(74) *Attorney, Agent, or Firm* — Banner & Witcoff, Ltd.

(57) **CLAIM**

The ornamental design for a lid, as shown and described.

DESCRIPTION

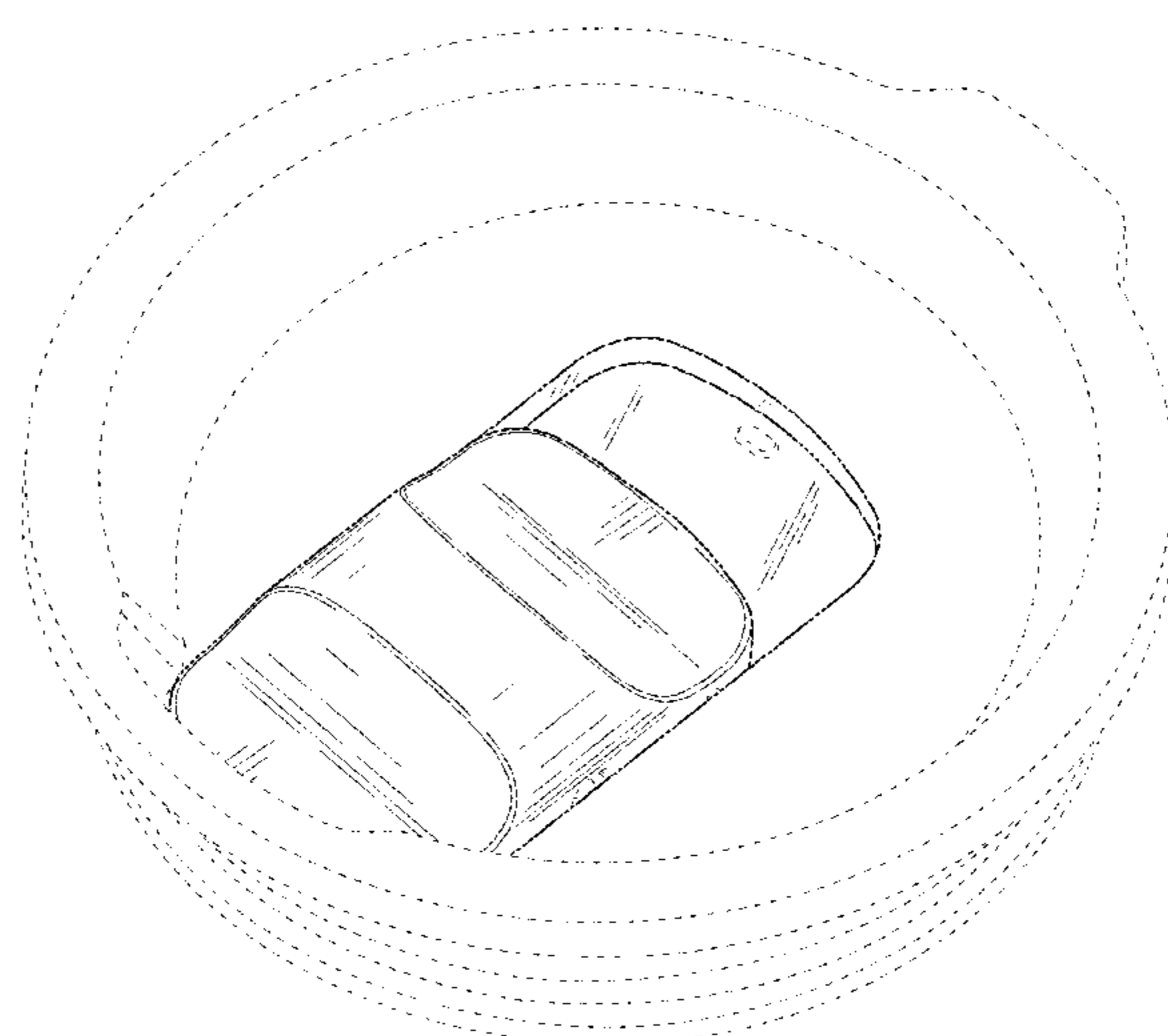
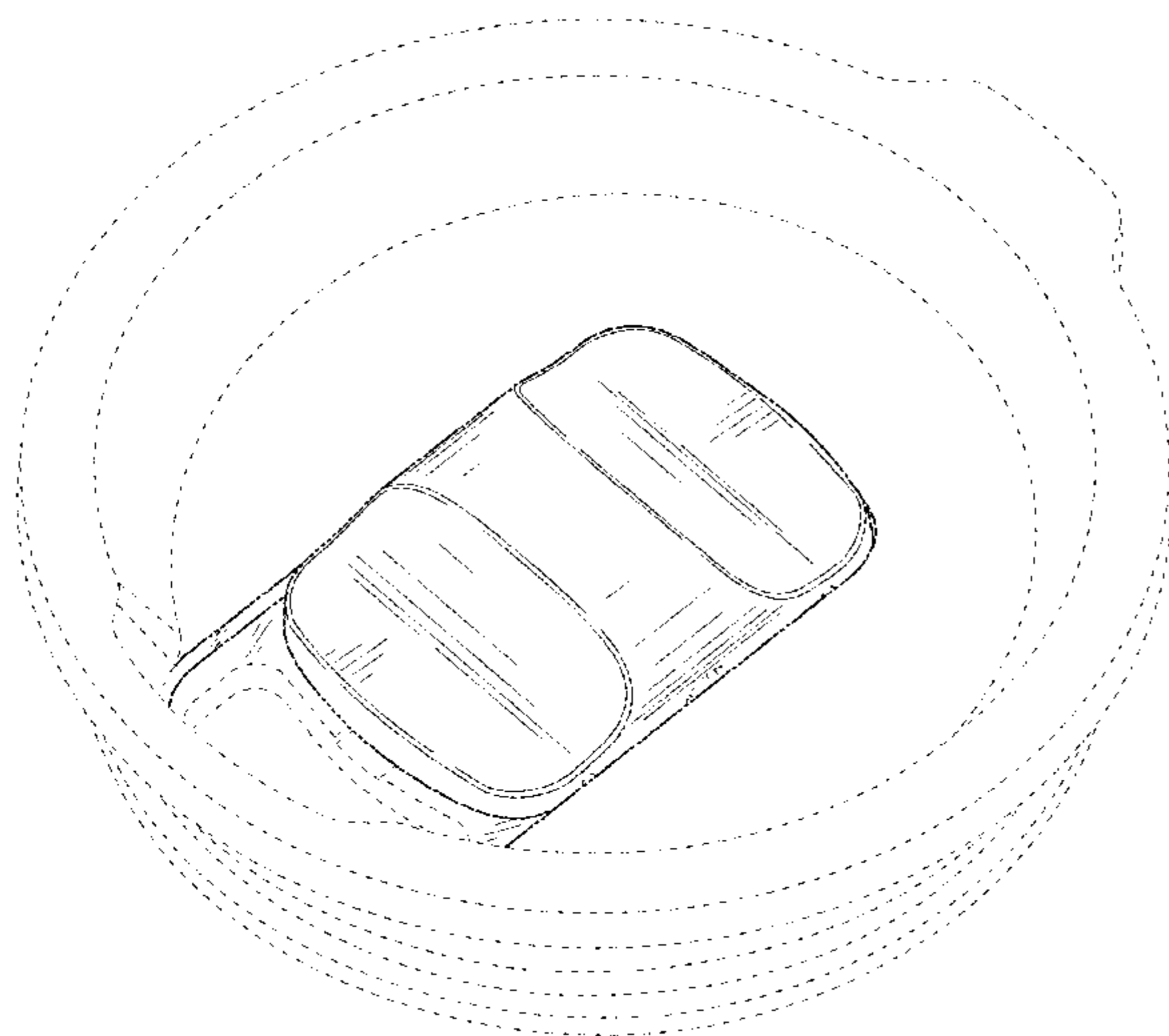
FIG. 1 is a top, front, right perspective view of a lid showing our new design in an open position;
 FIG. 2 is a front view thereof;
 FIG. 3 is a rear view thereof;
 FIG. 4 is a right side view thereof;
 FIG. 5 is a left side view thereof;
 FIG. 6 is a top view thereof;
 FIG. 7 is a bottom view thereof; and,
 FIG. 8 is a top, front, right perspective view of a lid showing our new design in an alternate closed position.
 The broken lines immediately adjacent to the shaded area represent unclaimed boundaries of the design. The broken lines showing the remainder of the lid are for environmental purposes only and form no part of the claimed design.

1 Claim, 6 Drawing Sheets

(56) **References Cited**

U.S. PATENT DOCUMENTS

- 3,938,690 A 2/1976 Butler
- 4,057,167 A 11/1977 Lee
- D307,743 S * 5/1990 Pierce D13/170
- D384,646 S * 10/1997 Miller D13/170
- D416,755 S 11/1999 Trombly
- D457,395 S 5/2002 Gluck
- D458,082 S 6/2002 Gluck
- D462,575 S 9/2002 Gluck
- D475,891 S 6/2003 Bin
- D481,590 S 11/2003 Lin
- D481,591 S 11/2003 Lin
- D482,238 S 11/2003 Lin
- D488,672 S 4/2004 Oas
- 6,752,287 B1 6/2004 Lin
- 6,824,003 B1 11/2004 Wong



(56)

References Cited

U.S. PATENT DOCUMENTS

D533,402 S	12/2006	Bin	
D533,747 S	12/2006	Jin	
D533,779 S	12/2006	Schmidtner et al.	
D536,213 S	2/2007	Schuler et al.	
D536,214 S	2/2007	Schuler et al.	
D539,609 S	4/2007	Ying et al.	
D541,105 S	4/2007	Jin	
D545,128 S	6/2007	Liu et al.	
7,275,653 B2	10/2007	Tedford, Jr.	
D571,152 S	6/2008	Tien	
D572,083 S	7/2008	Tien	
D582,206 S	12/2008	Fuller	
D583,191 S	12/2008	Wong	
D584,102 S *	1/2009	Valderrama	D7/392.1
D589,747 S	4/2009	Wong	
D589,751 S	4/2009	Liu et al.	
D591,103 S	4/2009	Wong	
7,513,380 B2	4/2009	Canedo	
D591,556 S	5/2009	Fuller	
7,591,389 B2	9/2009	Wong	
D604,102 S	11/2009	Pearson	
7,611,029 B2	11/2009	Wong	
D615,358 S	5/2010	Wahl	
D618,050 S	6/2010	Eisenhardt	
7,845,510 B2	12/2010	Schmidtner et al.	
7,850,037 B2	12/2010	Schmidtner et al.	
7,874,447 B2	1/2011	Schmidtner et al.	
D647,760 S	11/2011	Pearson	
D651,045 S *	12/2011	Eyal	D7/510
D652,248 S *	1/2012	Valderrama	D7/392.1
D666,052 S	8/2012	Trombly	
8,397,934 B2 *	3/2013	Lai	B65D 25/22 220/254.9
D713,202 S	9/2014	Lin	
D715,100 S	10/2014	Eyal	
8,919,593 B2	12/2014	Sinacori et al.	
8,925,756 B2 *	1/2015	Tarapata	F16J 15/02 215/247
D734,092 S	7/2015	Kristinik	
2007/0272650 A1 *	11/2007	Kishi	B65D 39/0052 215/364
2008/0006643 A1	1/2008	Ma	
2008/0073343 A1	3/2008	Shadrach et al.	
2008/0073347 A1	3/2008	Shadrach	
2010/0200590 A1	8/2010	Shadrach, III et al.	
2012/0205371 A1	8/2012	Lee	
2012/0312816 A1	12/2012	Barreto et al.	
2013/0320013 A1	12/2013	Bratsch	

FOREIGN PATENT DOCUMENTS

WO	2008121942 A2	10/2008
WO	2012031994 A1	3/2012
WO	2012107861 A2	8/2012

OTHER PUBLICATIONS

Photographic image of YETI 30oz Rambler Tumbler, published date unknown, but prior to the filing date of the present application.
 Second photographic image of YETI 30oz Rambler Tumbler, published date unknown, but prior to the filing date of the present application.

Promotional Items, Inc., “Stainless Steel 14oz. Deluxe Coffee Insulated Tumbler Lid”, retrieved from <http://www.promotional-items-inc.com/catalog/stainless_steel_18oz_commuter_coffee_mug_lid.html> on Aug. 27, 2015.

The Product Farm, “BeerNStein Rocks Tumbler Lid—Blue”, retrieved from <<http://store.theproductfarm.com/beerstein-rocks-tumbler-lid-blue/>> on Aug. 27, 2015.

Hit Promotional Products, “24 Oz. Biggie Tumbler with Lid”, retrieved from <<http://www.hitpromo.net/product/show/5853/24-oz-biggie-tumbler-with-lid>> on Aug. 27, 2015.

The Alexon Group, “16 Oz. Stainless Steel Travel Mug with Slide Action Lid and Plastic Inner Liner”, retrieved from <<https://alexongroup.com/16-oz-stainless-steel-travel-mug-with-slide-action-lid-and-plastic-inner-liner>> on Aug. 27, 2015.

“New 16oz Insulated Coffee Travel Mug Stainless Steel Double Wall Thermos Tumbler”, retrieved from <<http://www.ebay.com/itm/New-16oz-Insulated-COFFEE-TRAVEL-MUG-Stainless-Steel-Double-Wall-Thermos-Tumbler-/171416296921>> on Aug. 27, 2015.

“Stainless Steel Travel Mug with Slide Action Lid and Plastic Inner Liner—16oz.”, retrieved from <<http://waterbottles.com/stainless-steel-travel-mug-with-slide-action-lid-and-plastic-inner-liner-16-oz>> on Aug. 27, 2015.

Vat19, “16 oz. Dual Auto/USB Heated Mug”, retrieved from <<https://www.vat19.com/item/16-oz-dual-auto-usb-heater-coffee-mug>> on Aug. 27, 2015.

Timolino, “Signature Thermal Travel Mug Slide—Tab Lid”, retrieved from <<http://timolino.com/products/signature-thermal-travel-mug-slide-tab-lid>> on Aug. 27, 2015.

Eshine Industrial & Maoyuan International, “400ml Double Wall Stainless Steel Travel Mug with Sliding Drink Lid”, retrieved from <<http://www.chinawaterbottle.com/product/400ml-double-wall-stainless-steel-travel-mug-with-sliding-drink-lid-77-520.html>> on Aug. 27, 2015.

Photo USA Electronic Graphic Inc., “17fl oz Personalised Travel Mug (Plastic Insert and Metal Shell, Reverse Screw)”, retrieved from <<http://www.meikeda.com/stainless-steel-mug/item/15-oz-personalised-travel-mug.html>> on Aug. 27, 2015.

Promo Industrial Co., Limited, “16 Oz. Blue Bullet Travel Mug W/ Handle”, retrieved from <http://www.oempromo.com/Bottle-cup-and-mug/Mugs/index_73.htm> on Aug. 27, 2015.

Gold Bond Inc., “16CT—16 oz Cafe Tumbler”, retrieved from <<http://www.goldbondinc.com/16ct>> on Aug. 27, 2015.

“Tervis Lids”, retrieved from <http://www.tervis.com/designs/Accessories/Travel-lids/dc0fe00377e0ec722da5bd146541427c#!upc=093597437694&upc=093597240386> on Sep. 10, 2015.

Aladdin, “Recycled & Recyclable Travel Mug—Grey Replacement Lid”, retrieved from <http://www.shopaladdin-pmi.com/product/recycled-recyclable-travel-mug-grey-replacement-lid> on Sep. 10, 2015.

Zak! Designs, “Grip 16 oz Travel Coffee Mug—Sapphire”, retrieved from http://www.zak.com/planet_zak_blue_stainless_steel_water_bottle_0187-5720 on Sep. 10, 2015.

Promotional Items, Inc., “Stainless Steel 14 oz. Tool Box Travel Mug Lid”, retrieved from http://www.promotional-items-inc.com/catalog/stainless_steel_14oz_tool_box_travel_mug_lid.html on Sep. 10, 2015.

“Starbucks® Stainless Steel Logo Tumbler, 16 fl oz”, retrieved from <<http://store.starbucks.com/starbucks-stainless-steel-logo-tumbler-16-fl-oz-011023529.html>> on Nov. 3, 2015.

“Corkcicle Tumbler”, retrieved from <<http://corkcicle.com/pages/tumbler>> on Nov. 3, 2015.

* cited by examiner

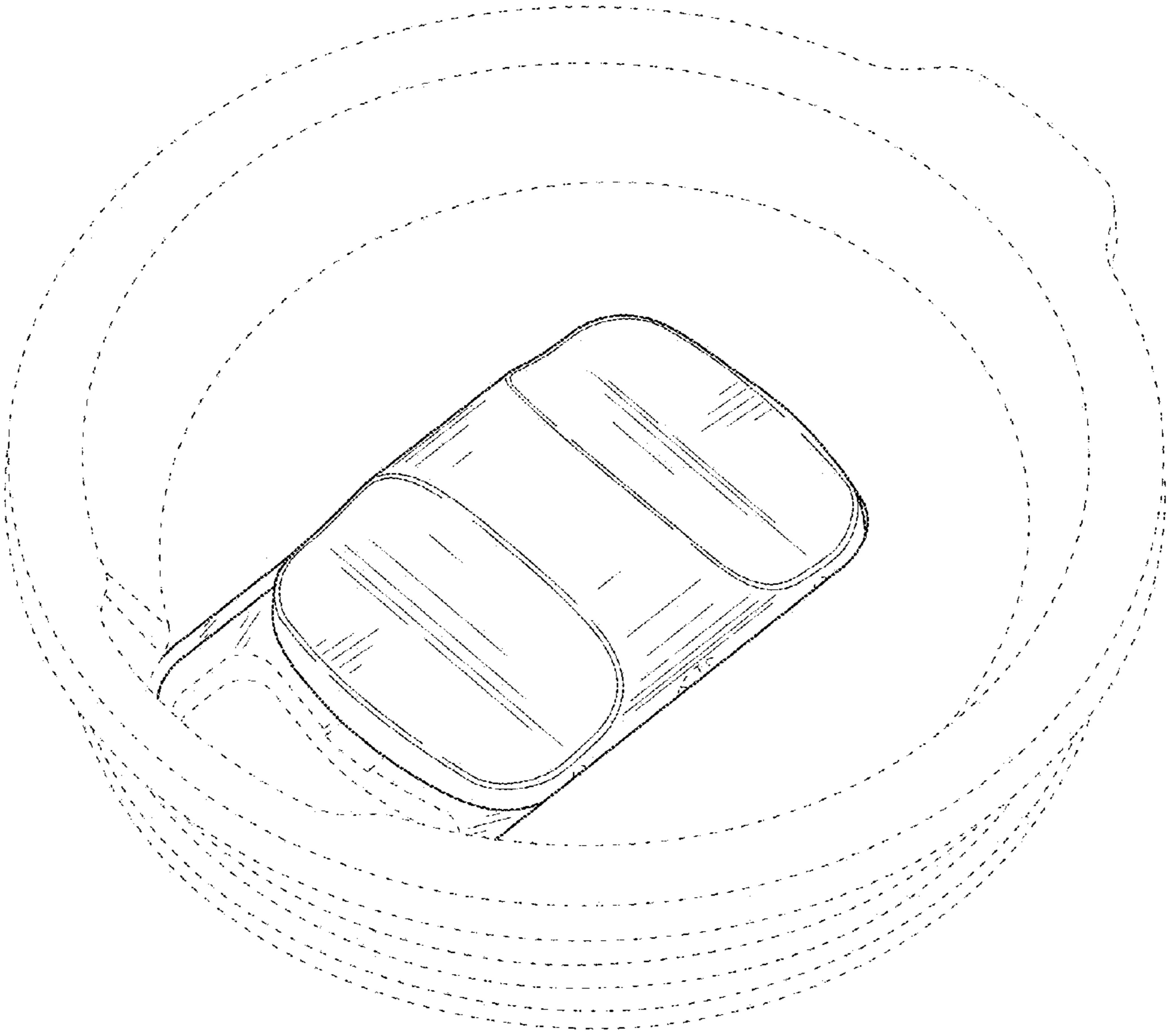


FIG. 1

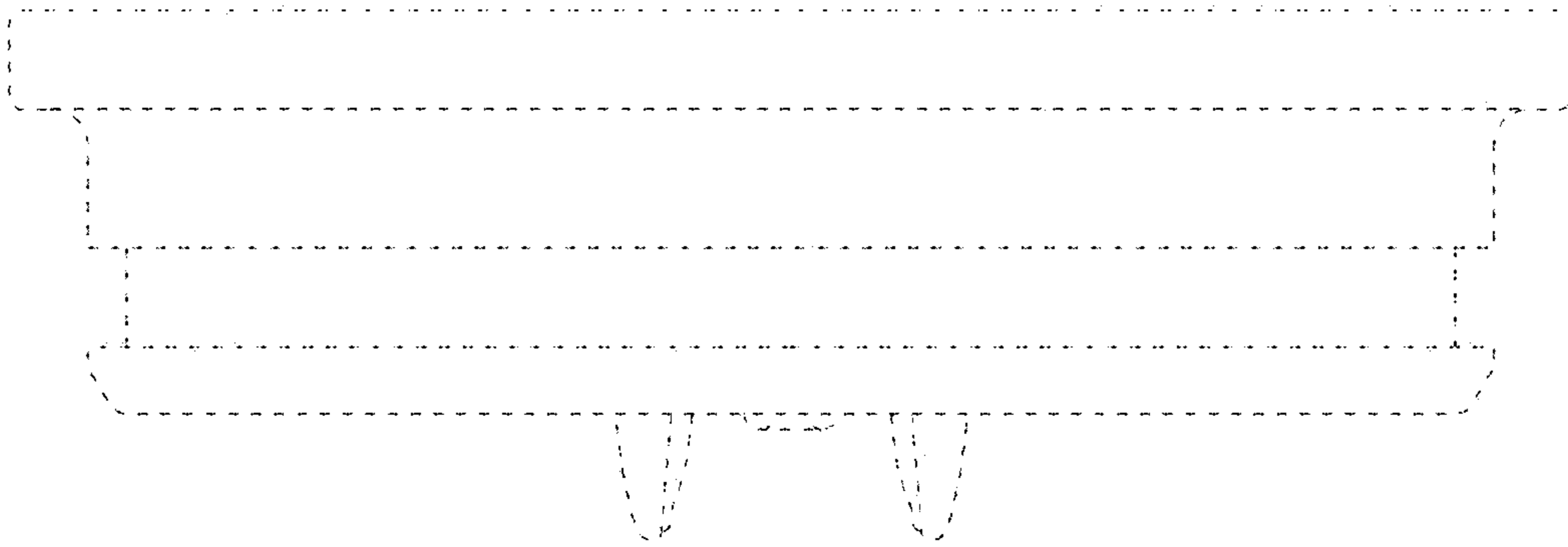


FIG. 2

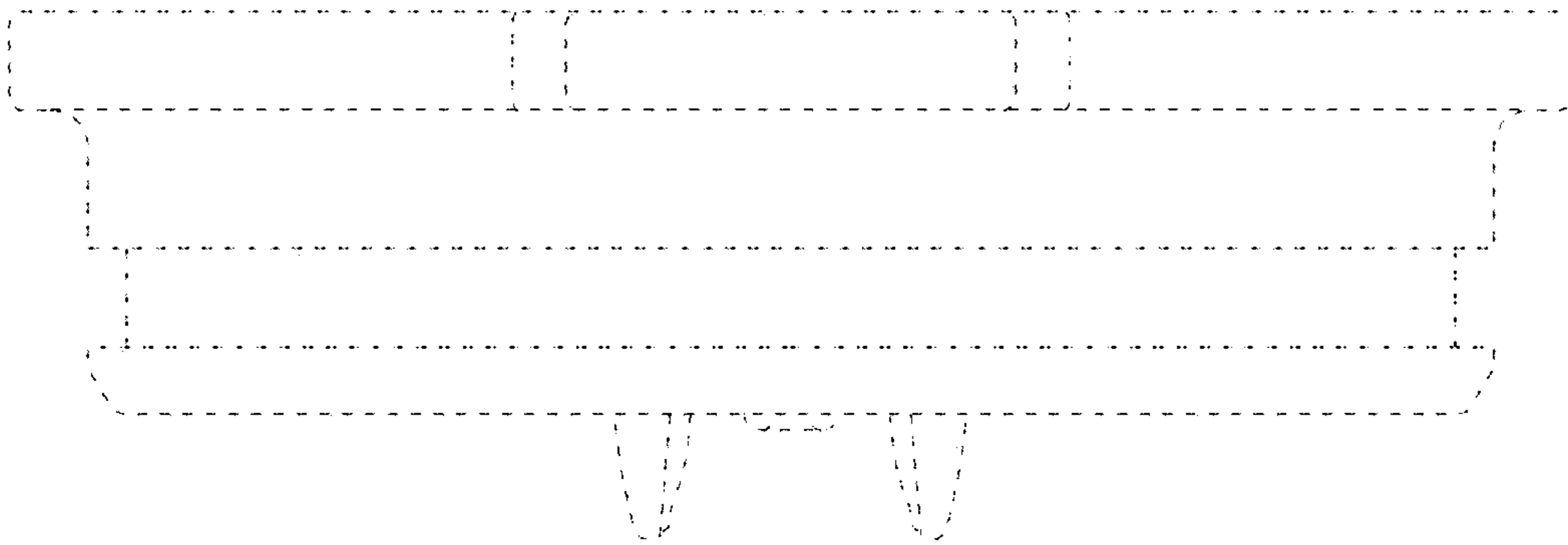


FIG. 3

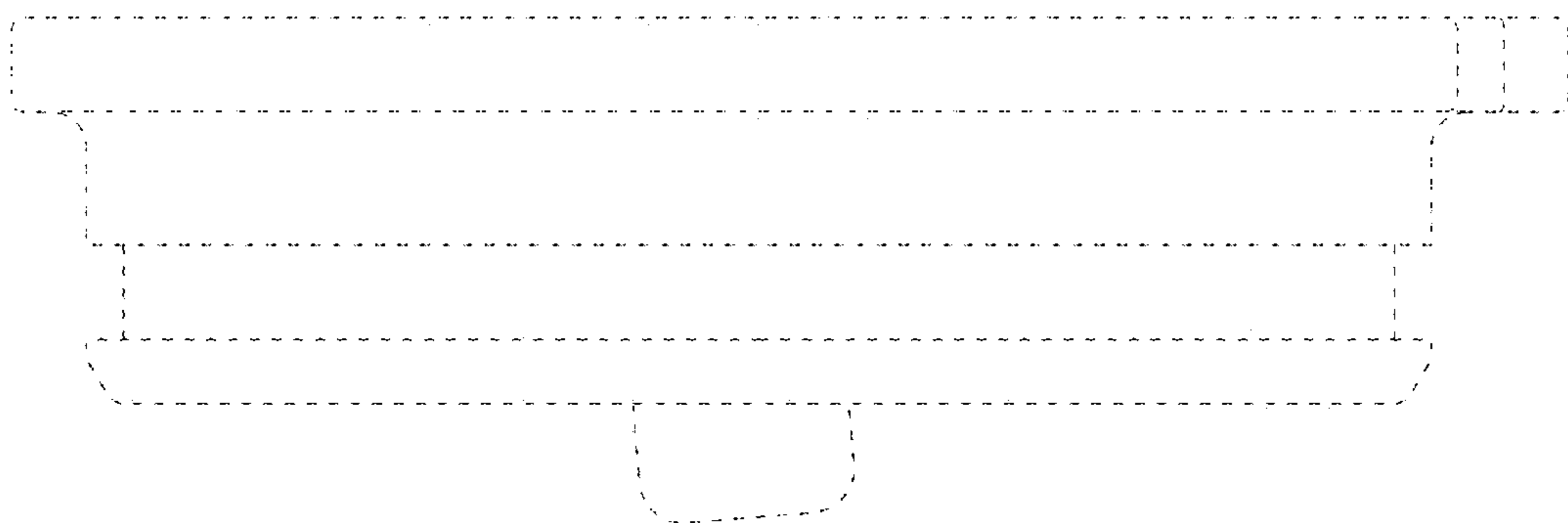


FIG. 4

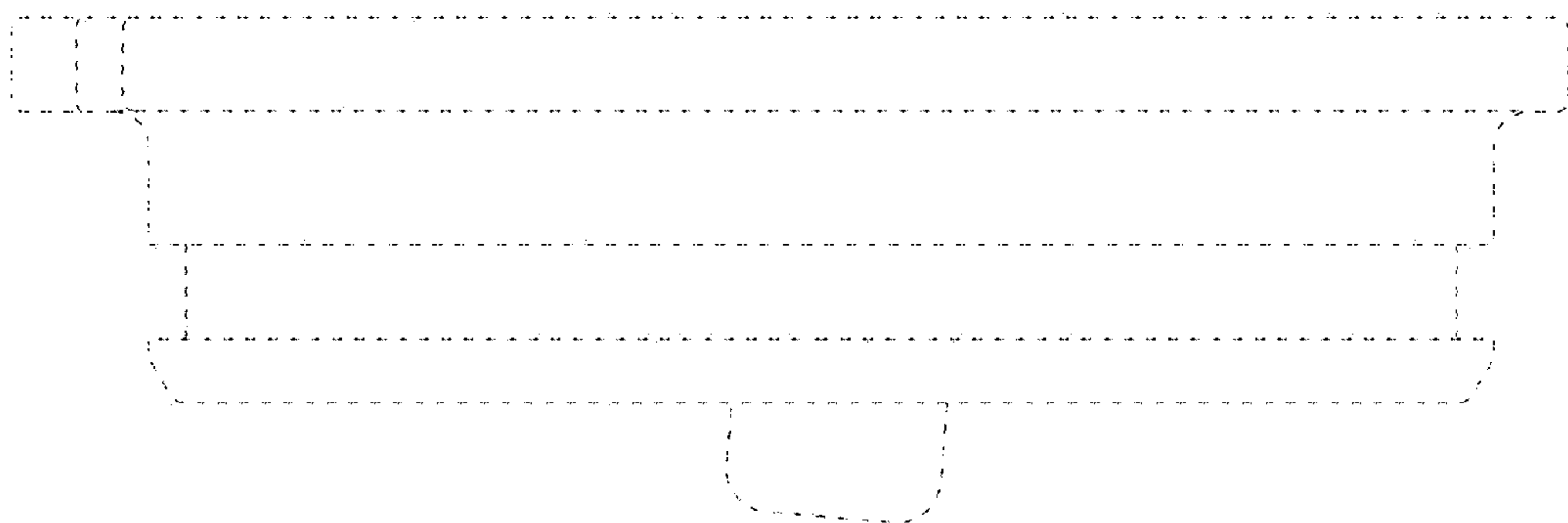


FIG. 5

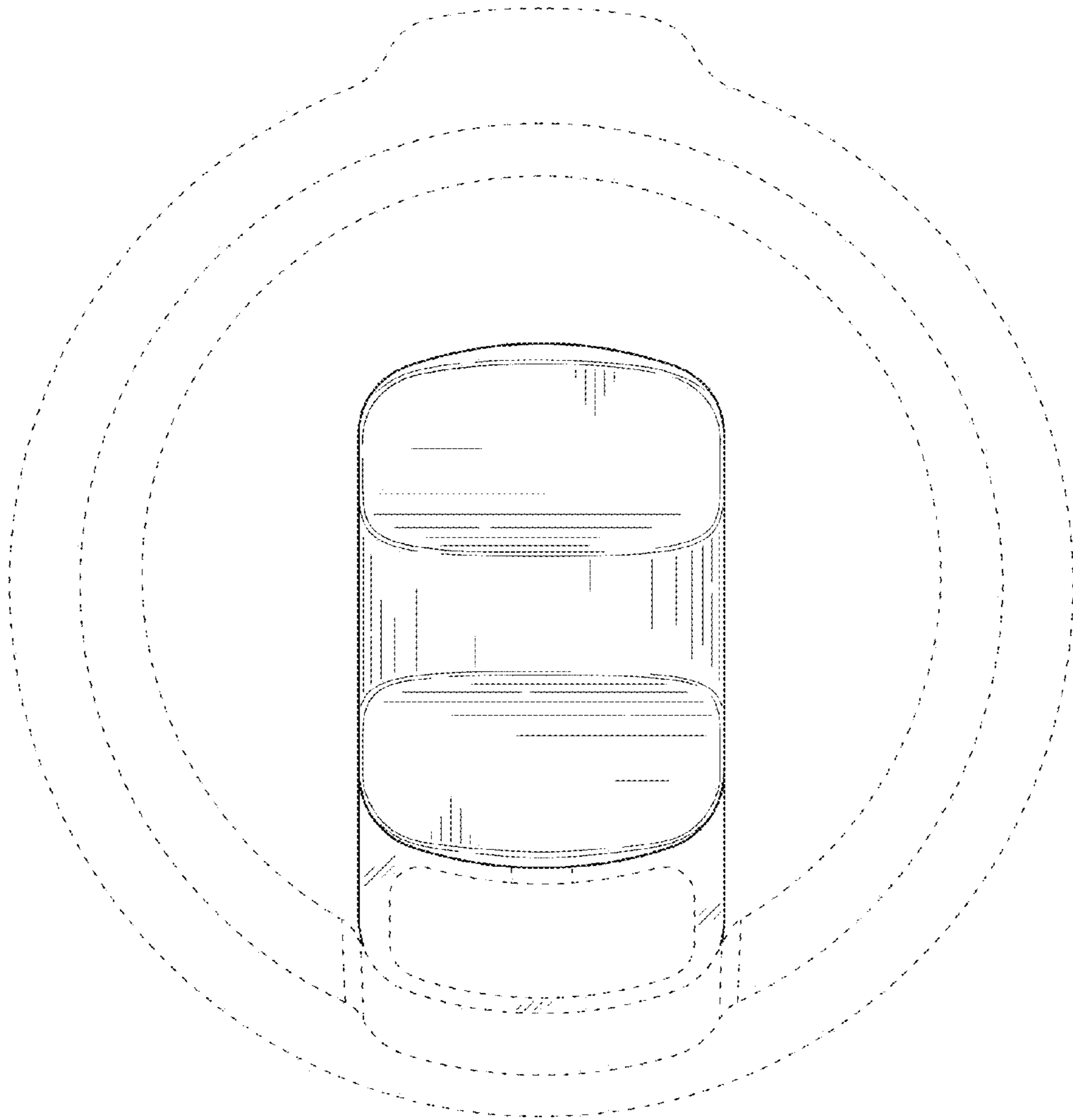


FIG. 6

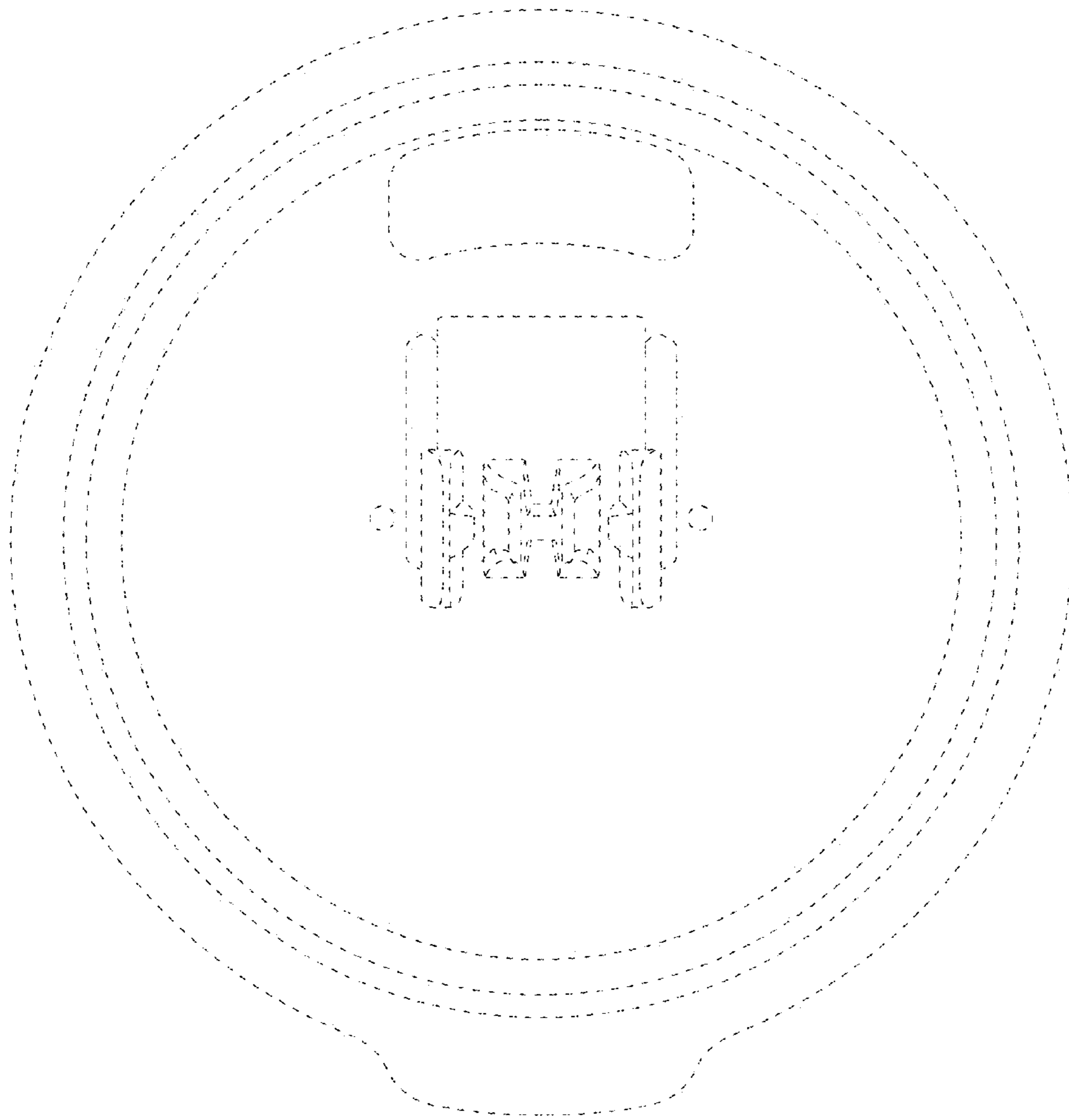


FIG. 7

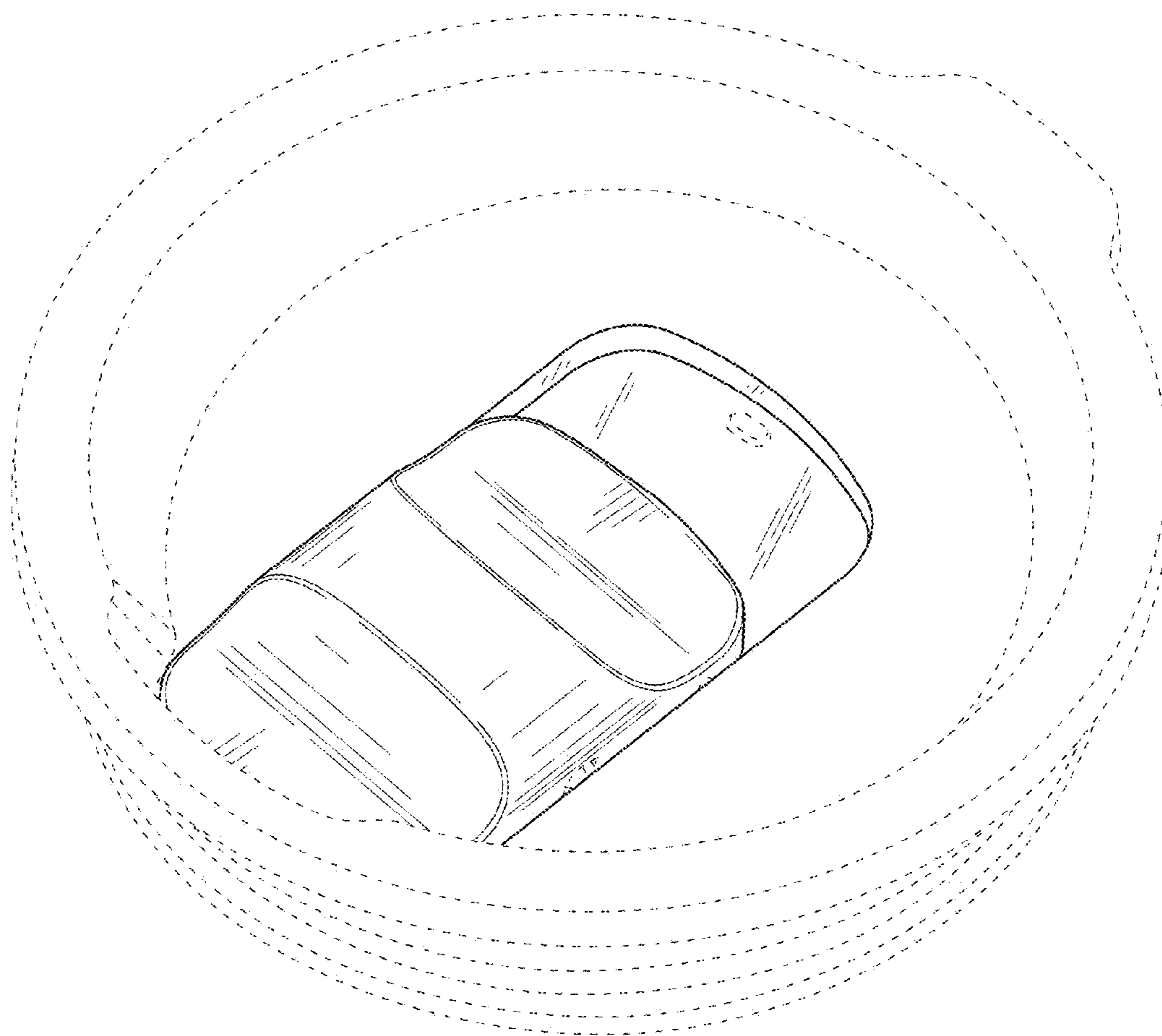


FIG. 8