



US00D751337S

(12) **United States Design Patent**
Boroski et al.

(10) **Patent No.:** **US D751,337 S**
(45) **Date of Patent:** **** Mar. 15, 2016**

(54) **LID**
(71) Applicants: **Dwayne Boroski**, Lake in the Hills, IL (US); **Marvin Lane**, Wheeling, IL (US)
(72) Inventors: **Dwayne Boroski**, Lake in the Hills, IL (US); **Marvin Lane**, Wheeling, IL (US)
(73) Assignee: **Thermos L.L.C.**, Schaumburg, IL (US)
(**) Term: **14 Years**

6,484,895 B2 * 11/2002 Montgomery B65D 47/0861
215/237
D528,862 S * 9/2006 Li D7/510
D529,339 S * 10/2006 Carreno D7/511
D533,061 S * 12/2006 Li D9/443
D554,995 S * 11/2007 Saint-Ignan D9/453
D565,947 S * 4/2008 Downey D9/448
D630,093 S * 1/2011 Bardet D9/438
D636,672 S * 4/2011 Lohrman D9/438
D686,871 S * 7/2013 Lane D7/392.1
D707,555 S * 6/2014 Vogel D9/436
2003/0034323 A1 * 2/2003 Smith B65D 47/0885
215/235

(21) Appl. No.: **29/523,333**
(22) Filed: **Apr. 8, 2015**
(51) **LOC (10) Cl.** **07-02**
(52) **U.S. Cl.**
USPC **D7/391**; D7/376; D7/378; D7/412;
D7/413

* cited by examiner

Primary Examiner — Ricky Pham
(74) *Attorney, Agent, or Firm* — Polsinelli PC

(58) **Field of Classification Search**
USPC D7/372, 376–386, 392.1, 412–413,
D7/510–511, 602, 629, 665–666, 669, 679,
D7/693–694; D9/436, 438, 443, 448, 449,
D9/453
CPC A21C 1/02; A21C 1/04; A23N 1/00;
A23N 1/02; A47J 43/04; A47J 43/25; A47J
43/27; A47J 43/042; A47J 43/044; A47J
43/046; A47J 43/075; A47J 43/0722; A47J
43/0727; B01F 3/00; B01F 3/0807; B01F
3/0853; B01F 13/0059; B01F 13/0064;
B02C 1/08; B02C 2/04; B02C 4/42; B02C
4/142; B02C 4/143; B02C 4/423; B02C
13/1835; B28C 5/10; B28C 5/12; B28C 5/14;
B28C 5/16; B65D 47/0861; B65D 47/0885
See application file for complete search history.

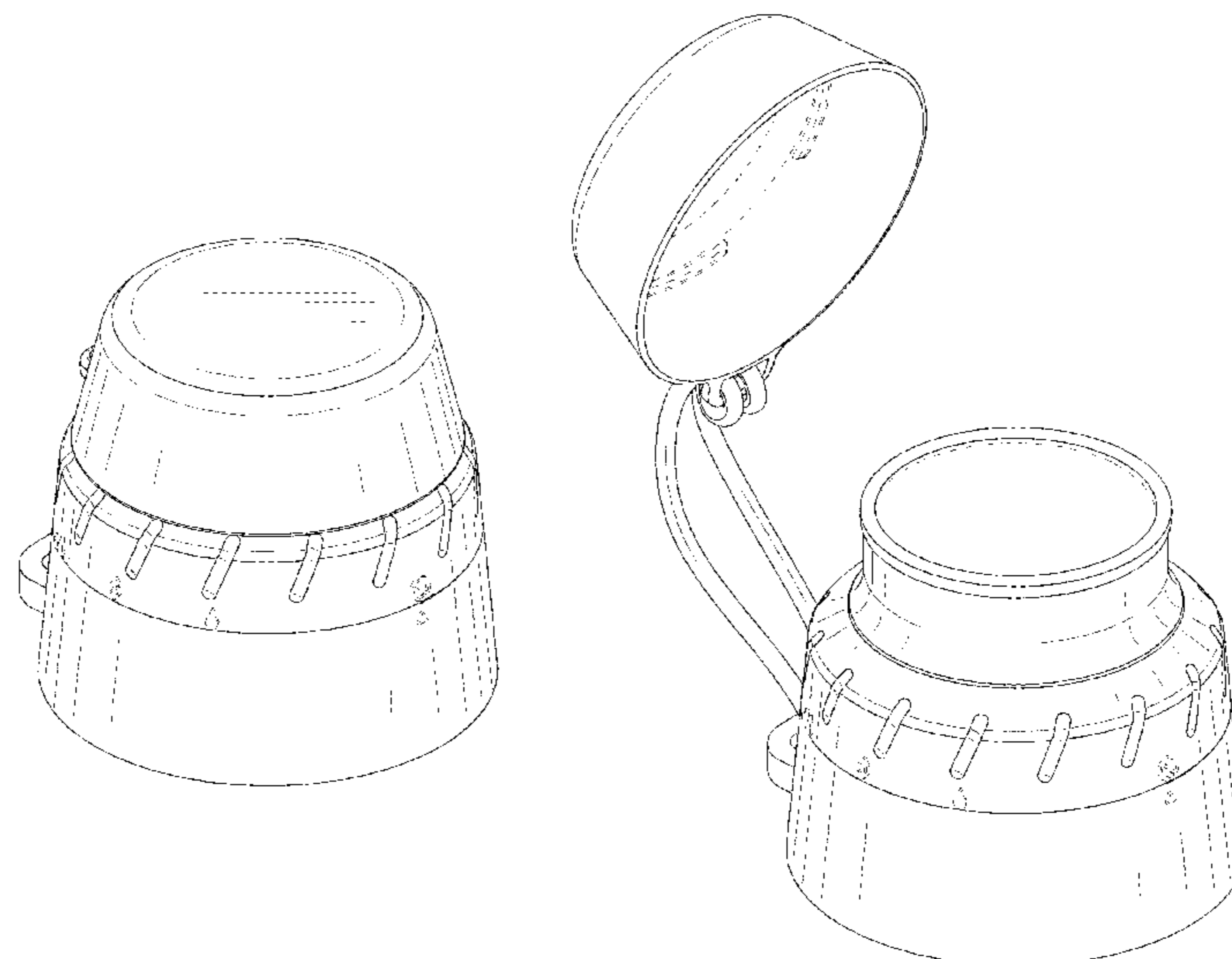
(57) **CLAIM**
The ornamental design for a lid, as shown and described.

DESCRIPTION

FIG. 1 is a perspective view of the lid;
FIG. 2 is a front view of the lid;
FIG. 3 is a rear view of the lid;
FIG. 4 is a right side view of the lid;
FIG. 5 is a left side view of the lid;
FIG. 6 is a top view of the lid;
FIG. 7 is a bottom view of the lid;
FIG. 8 is a perspective view of a lid of FIG. 1, shown in an open position for completeness of disclosure;
FIG. 9 is a front view of the lid of FIG. 8;
FIG. 10 is a rear view of the lid of FIG. 8;
FIG. 11 is a right side view of the lid of FIG. 8;
FIG. 12 is a left side view of the lid of FIG. 8;
FIG. 13 is a top view of the lid of FIG. 8; and,
FIG. 14 is a bottom view of the lid of FIG. 8.
The broken lines showing in the figures are included for the purpose of illustrating portions of the lid that form no part of the claimed design.

(56) **References Cited**
U.S. PATENT DOCUMENTS
D396,638 S * 8/1998 Demarest D9/445
D426,159 S * 6/2000 Briere D9/438

1 Claim, 9 Drawing Sheets



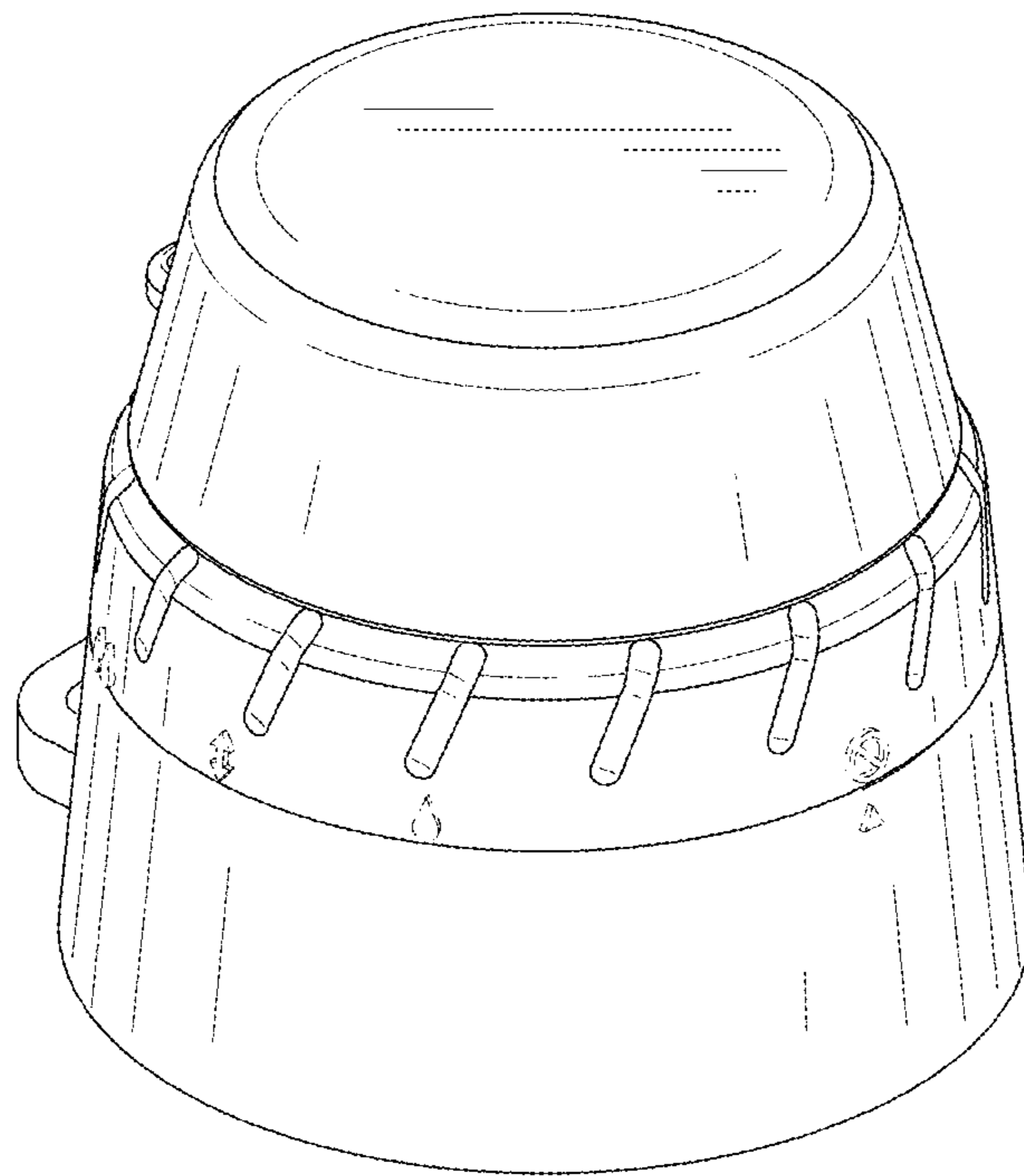


FIG. 1

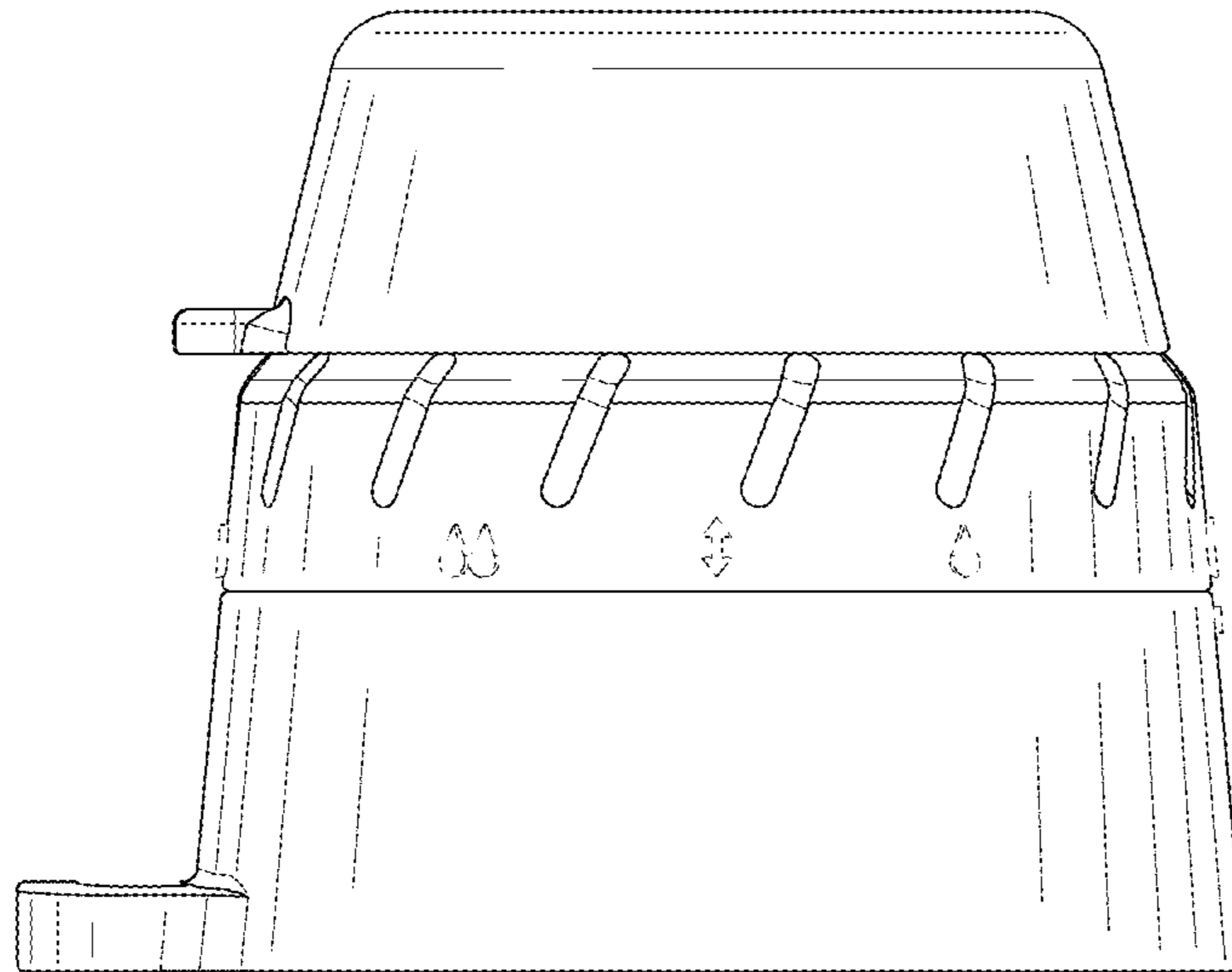


FIG. 2

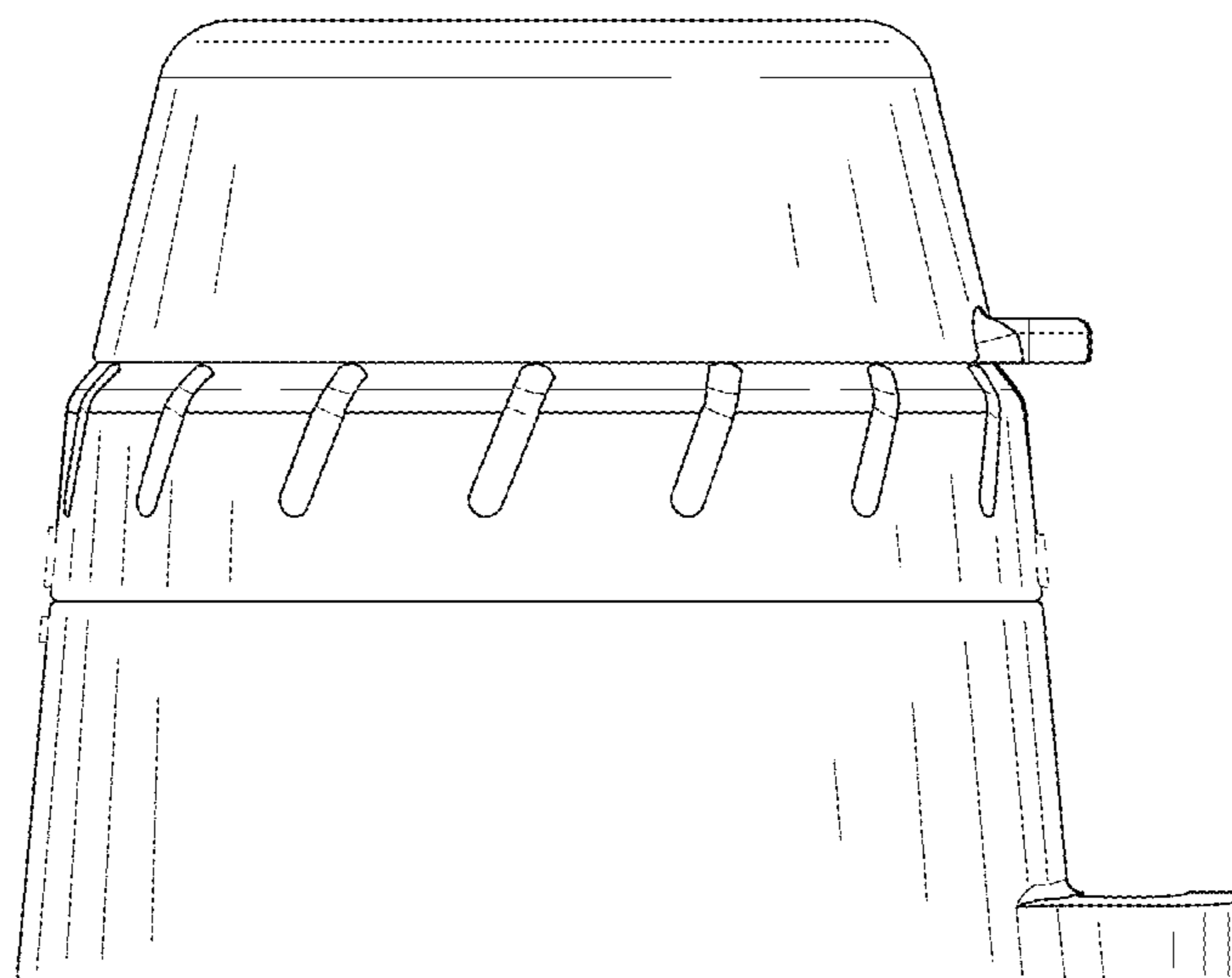


FIG. 3

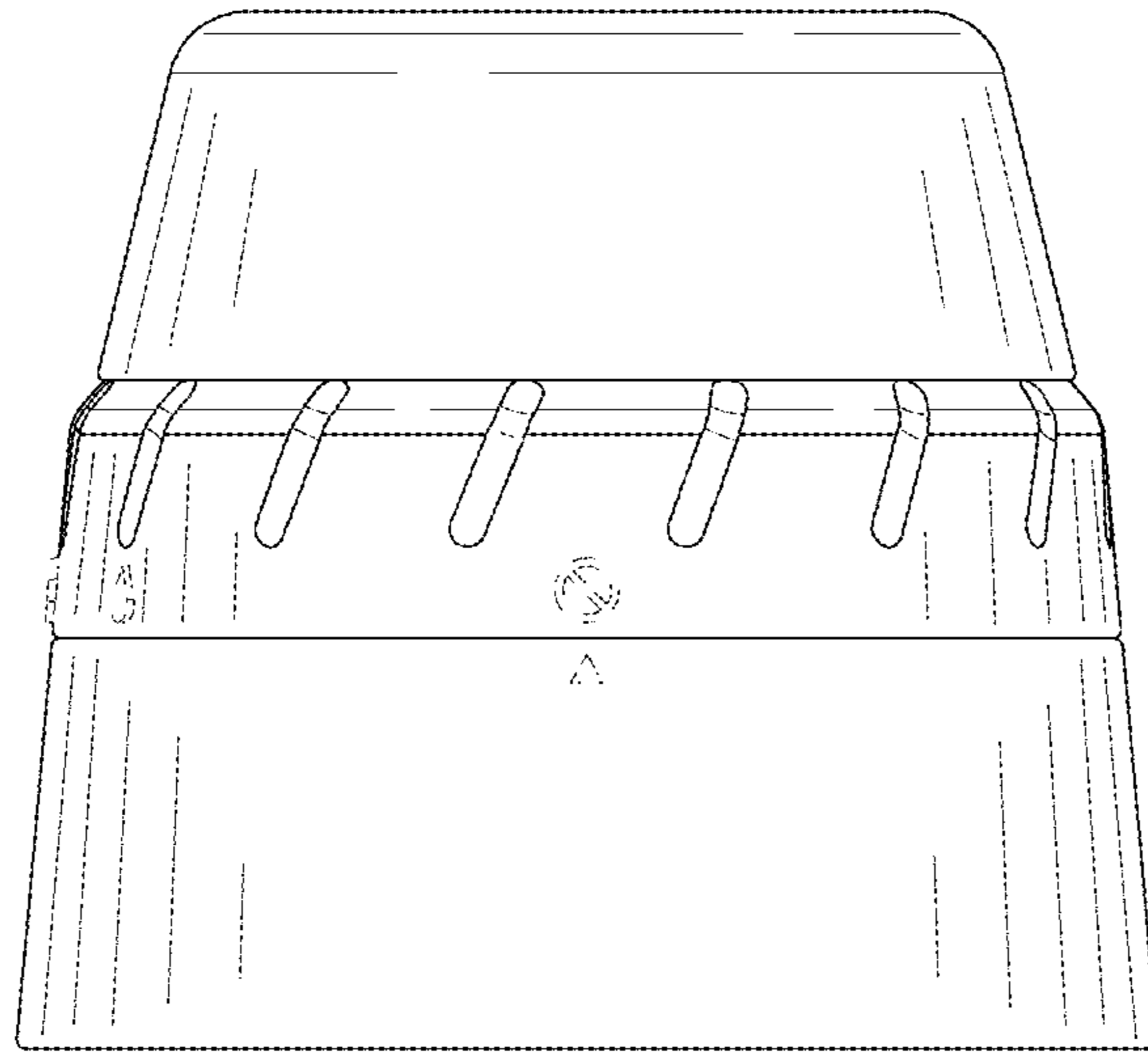


FIG. 4

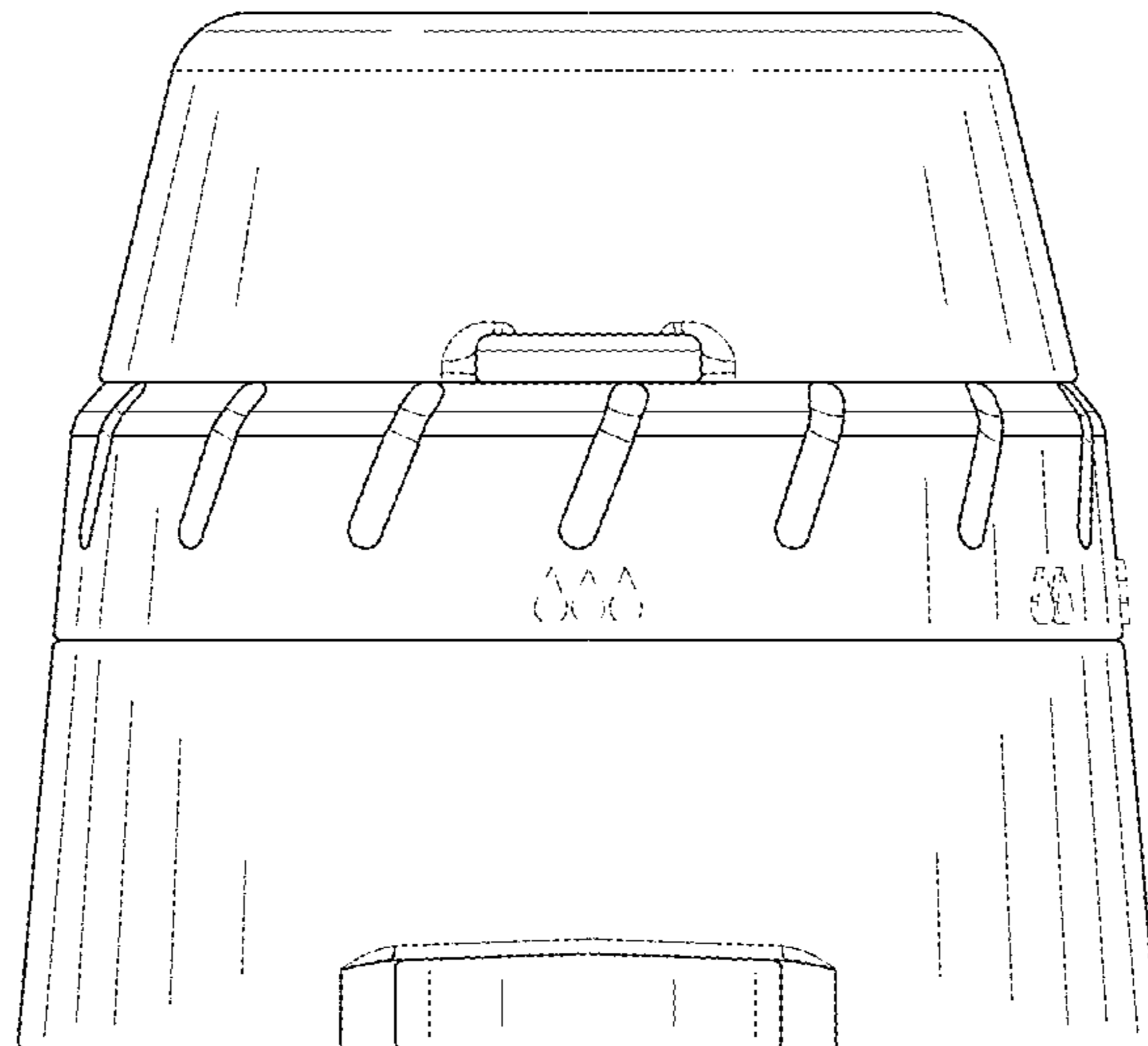


FIG. 5

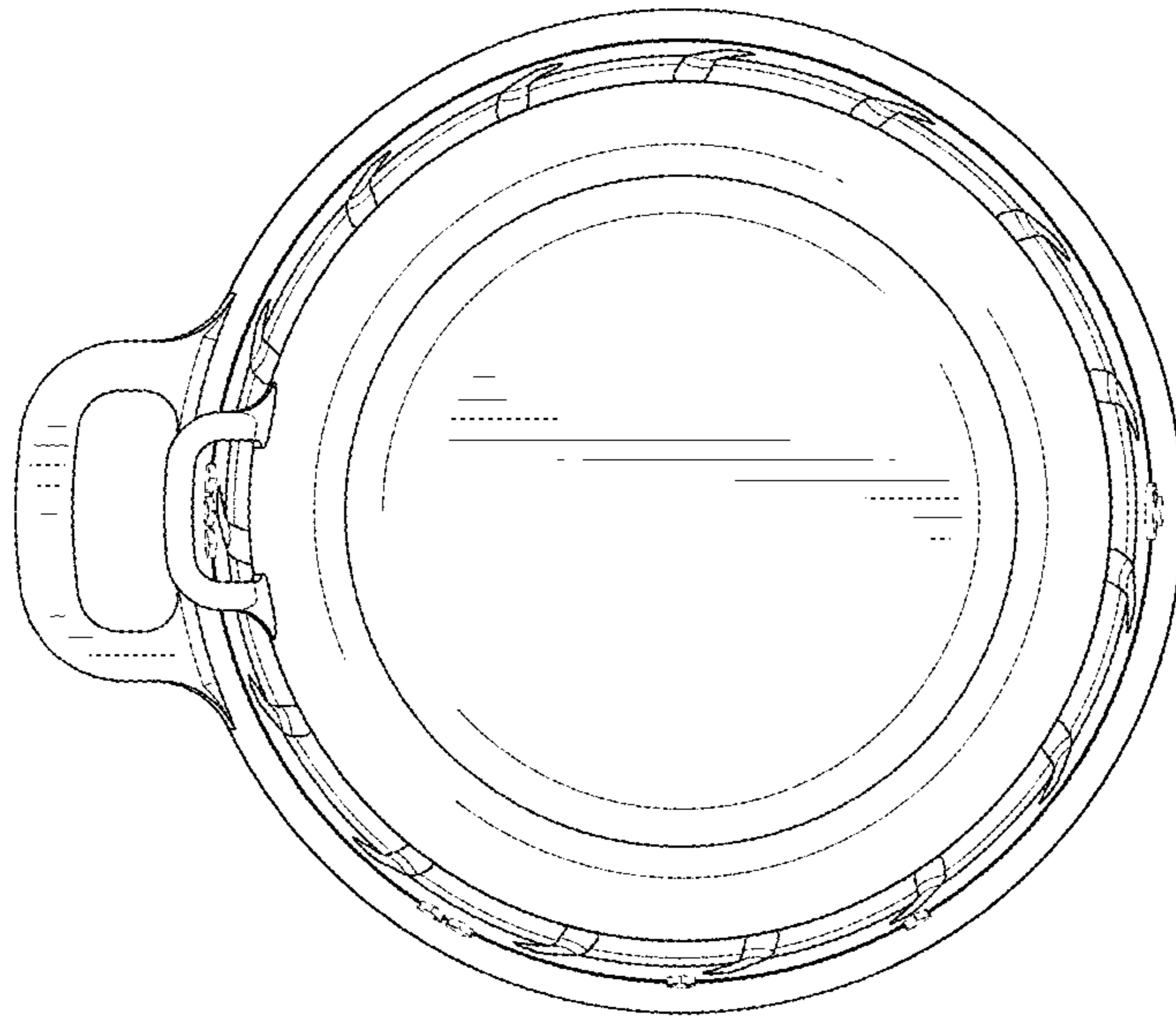


FIG. 6

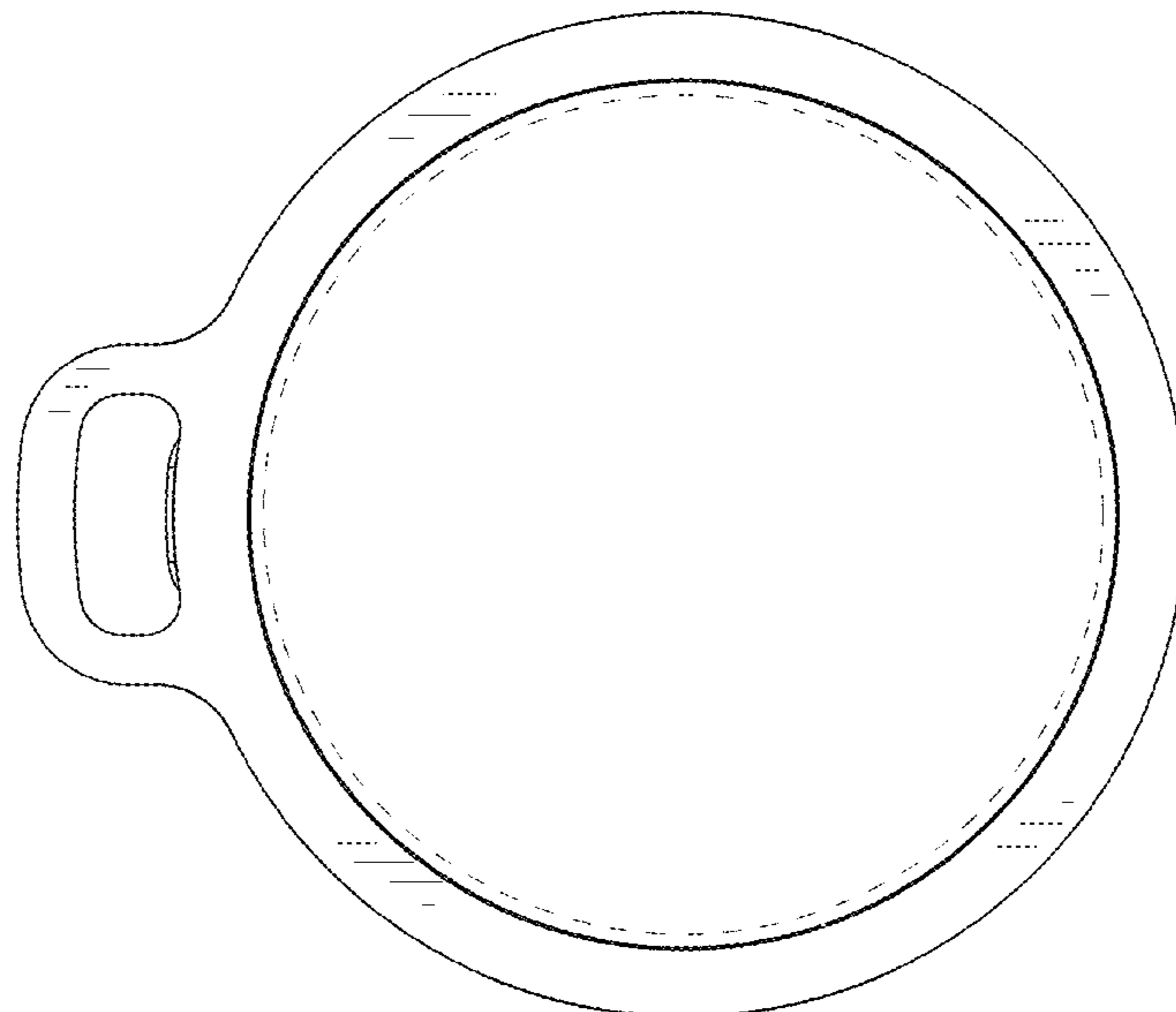


FIG. 7

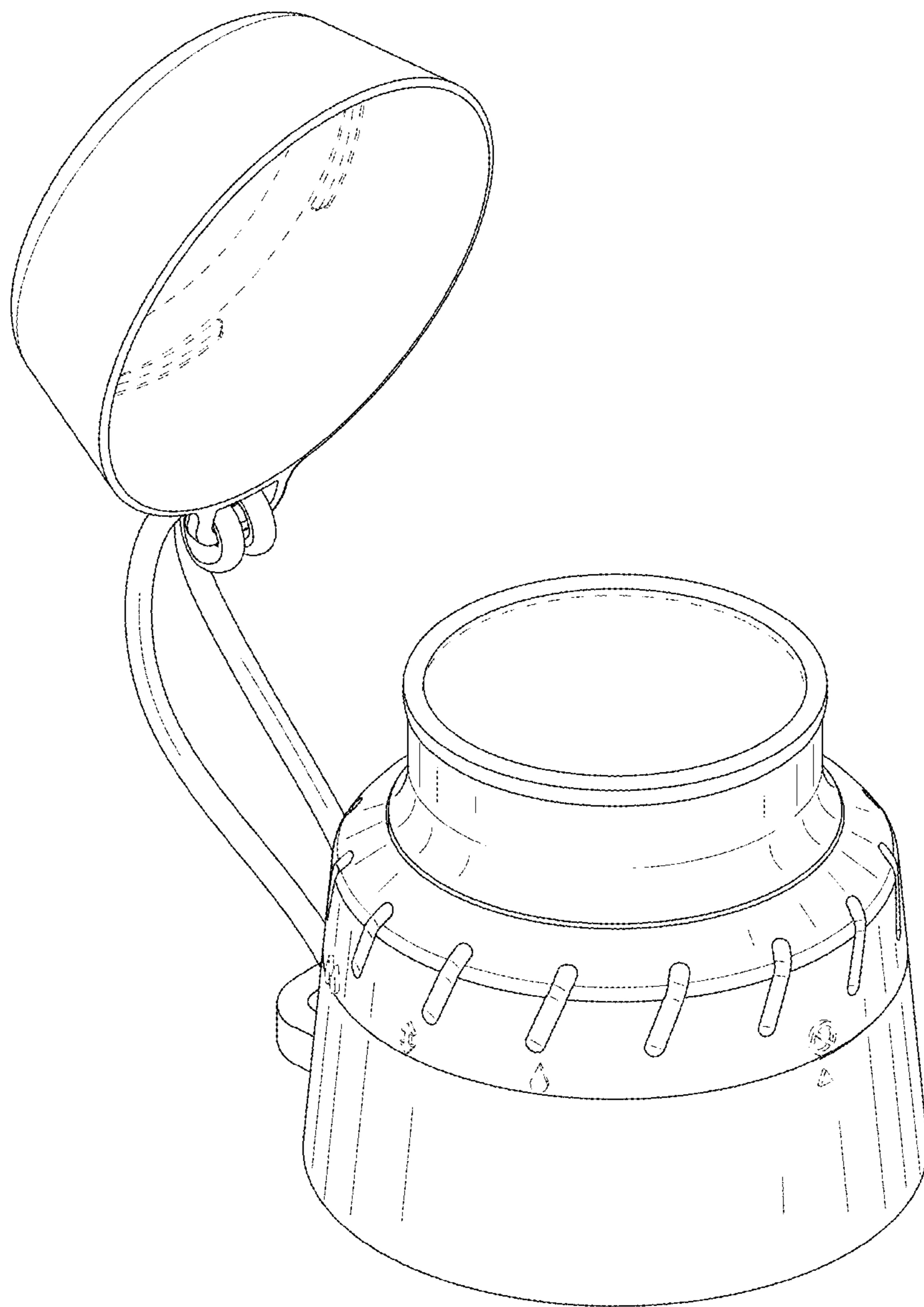


FIG. 8

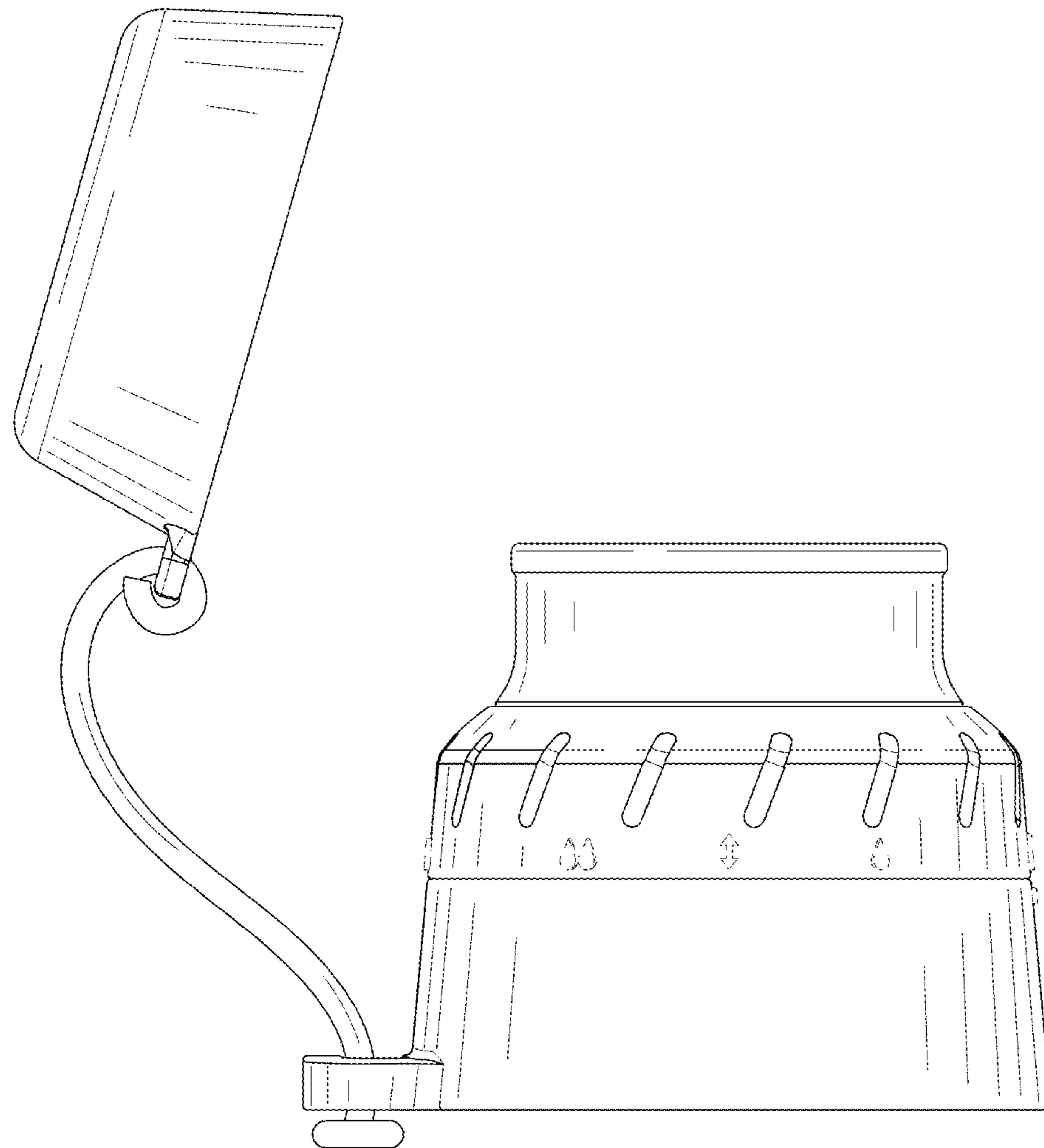


FIG. 9

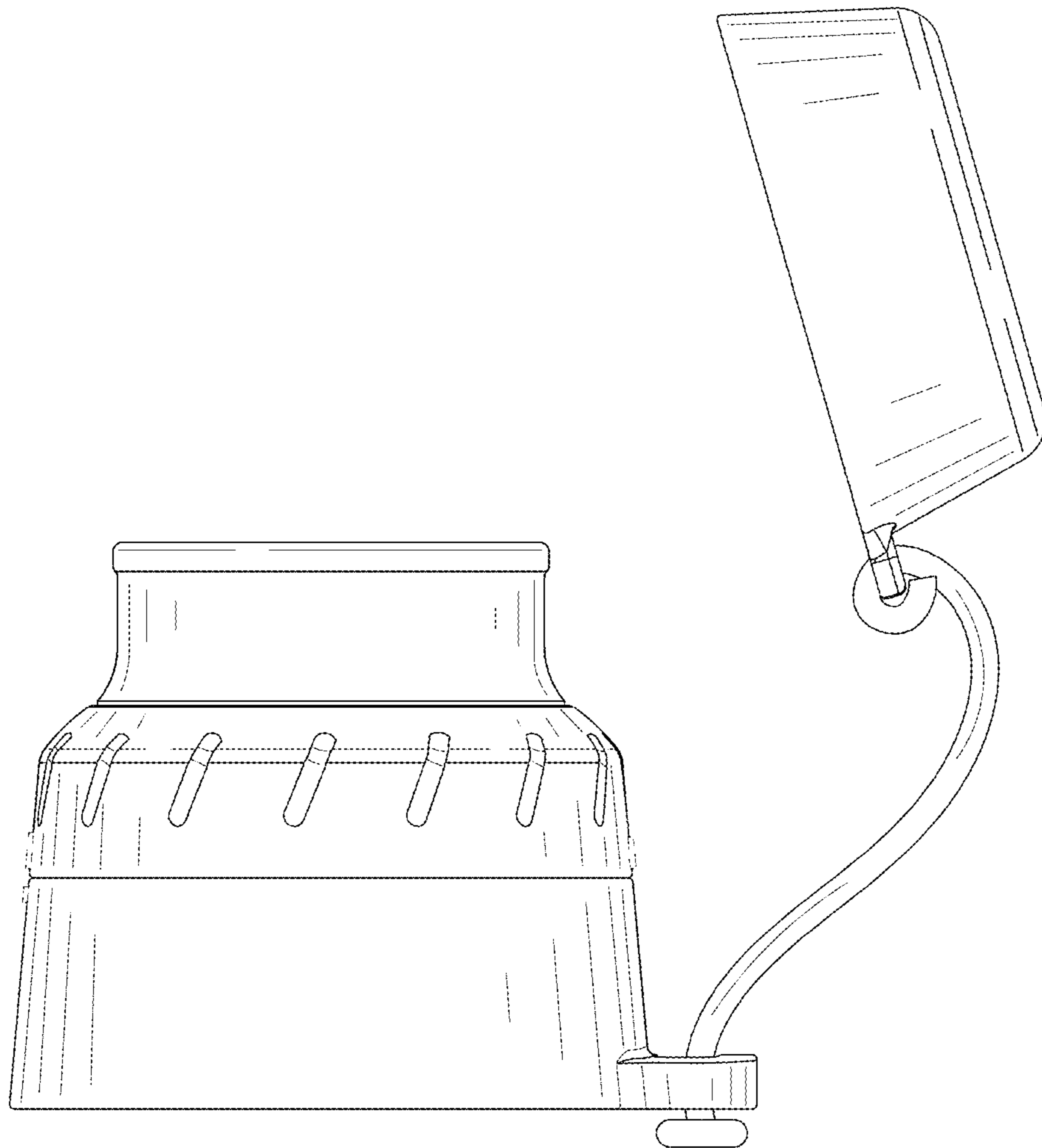


FIG. 10

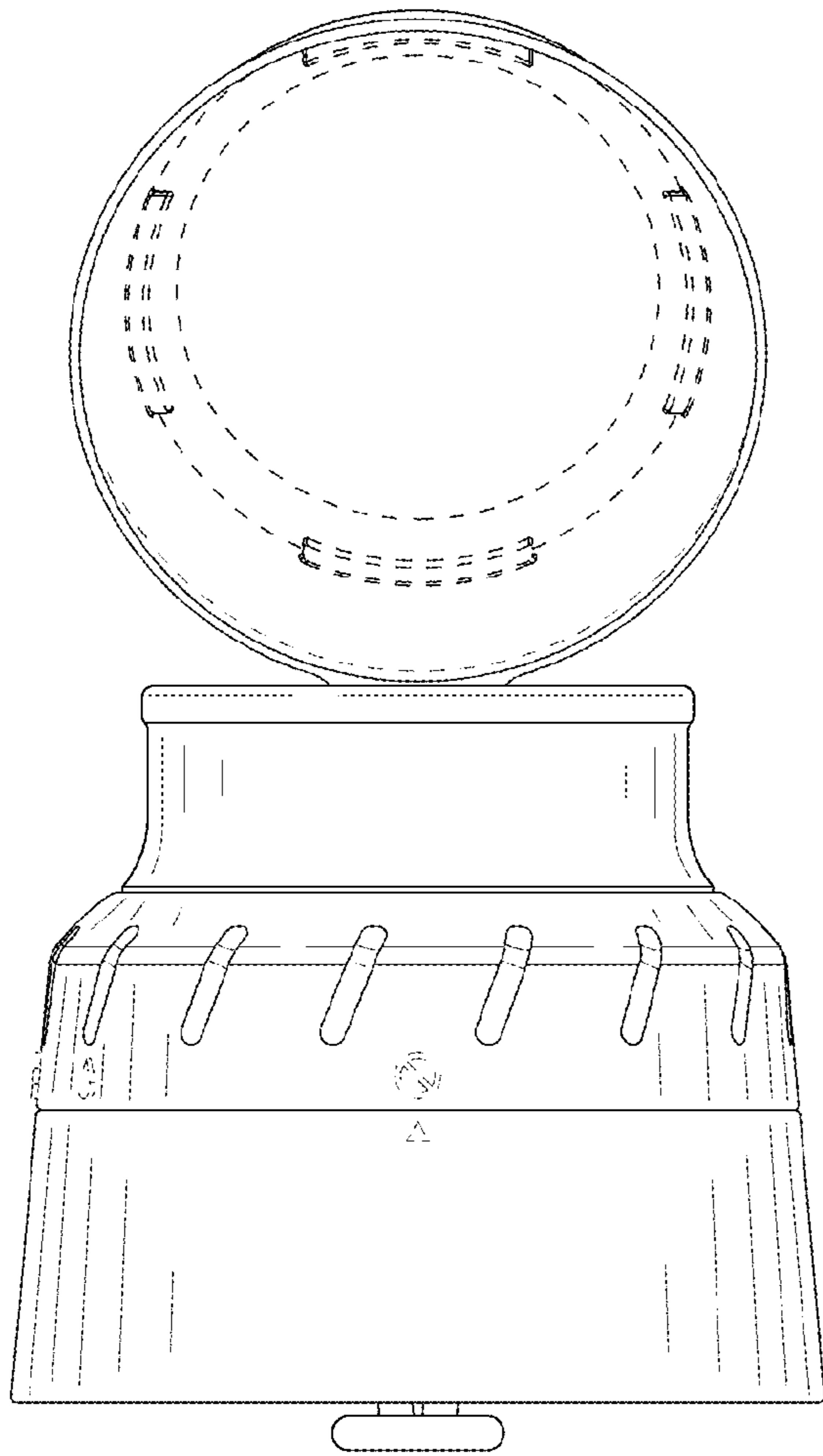


FIG. 11

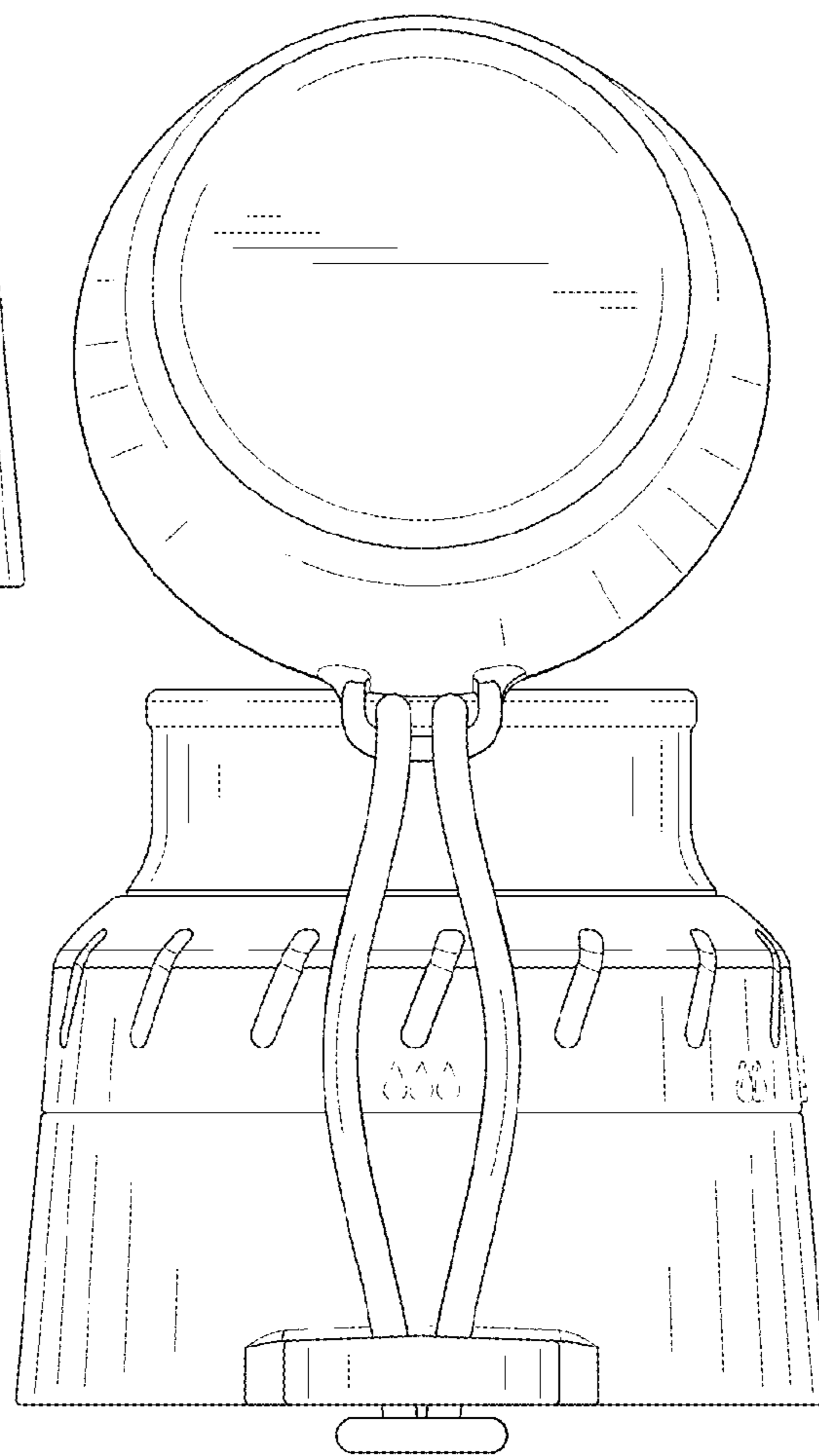


FIG. 12

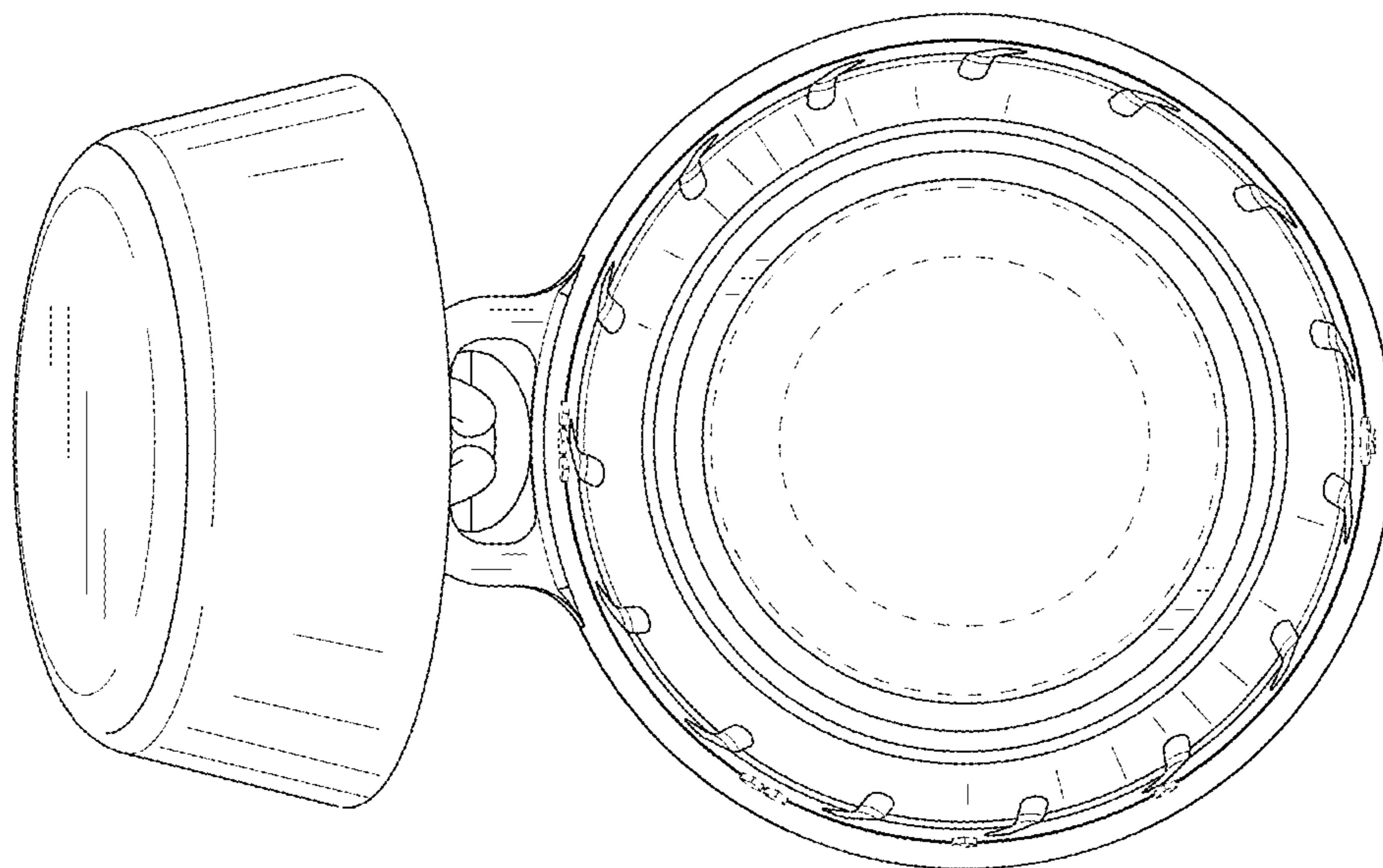


FIG. 13

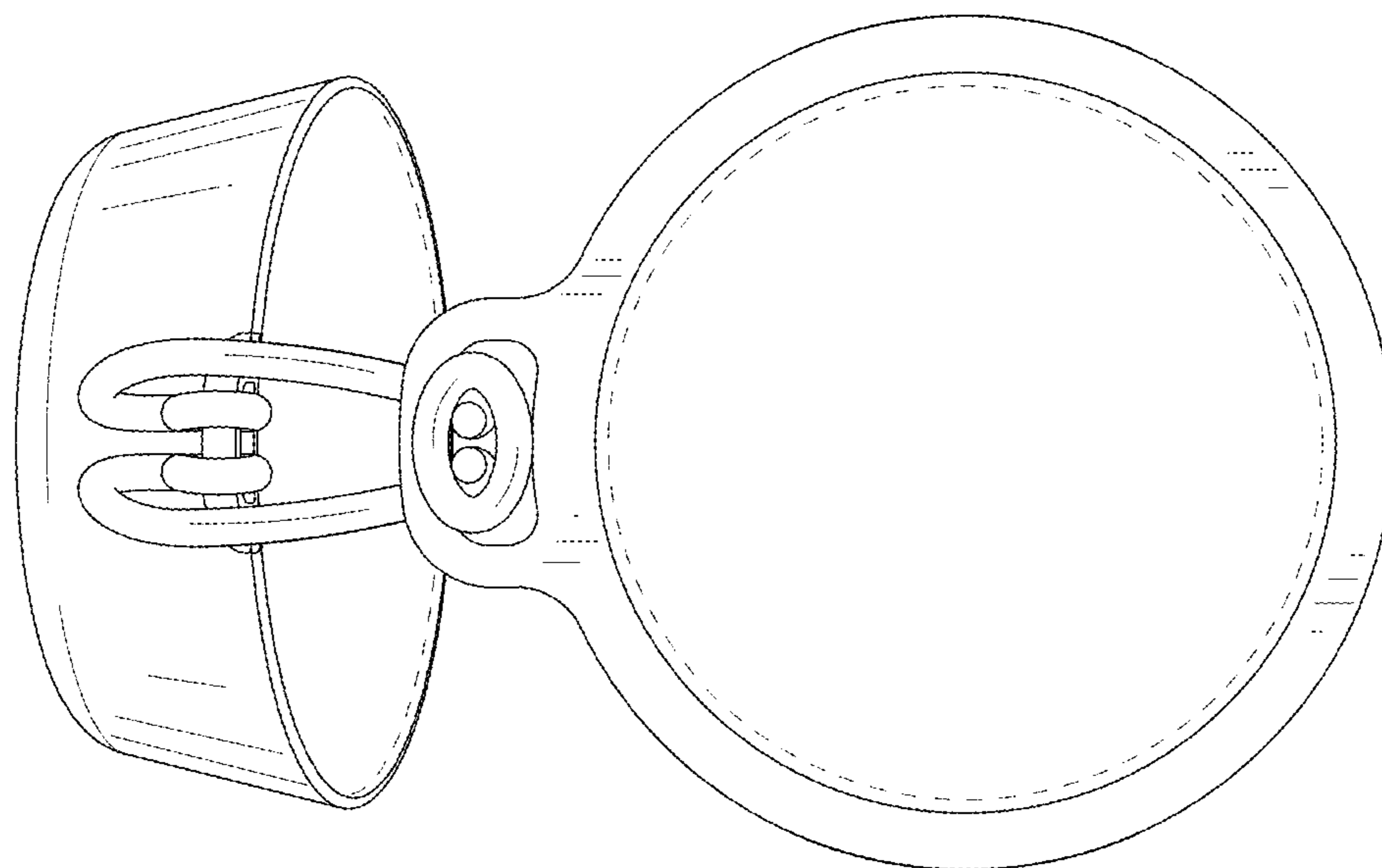


FIG. 14