



US00D751335S

(12) **United States Design Patent**
Shirley et al.

(10) **Patent No.:** **US D751,335 S**
(45) **Date of Patent:** **** Mar. 15, 2016**

(54) **STORAGE CONTAINER SEAL AND STORAGE CONTAINERS**

(71) Applicant: **Dart Industries Inc.**, Orlando, FL (US)

(72) Inventors: **Nathan E. Shirley**, Orlando, FL (US);
Julie L. Yessin, Orlando, FL (US)

(73) Assignee: **Dart Industries Inc.**, Orlando, FL (US)

(**) Term: **14 Years**

(21) Appl. No.: **29/496,897**

(22) Filed: **Jul. 18, 2014**

(51) **LOC (10) Cl.** **07-02**

(52) **U.S. Cl.**
USPC **D7/391**

(58) **Field of Classification Search**
USPC D7/391, 392, 392.1, 393, 397, 601–602,
D7/629–630, 538–542; D9/414, 424–432,
D9/435, 451–452
CPC A47J 36/027; A47J 36/06; A47J 37/10;
A47J 37/101; B65D 21/0209; B65D 43/00;
B65D 43/02; B65D 43/0206; B65D 43/021;
B65D 43/022; B65D 43/161; B65D 43/162;
B65D 45/00; B65D 45/16; B65D 45/18;
B65D 51/16; B65D 51/1683; B65D 51/1688;
B65D 51/1694; B65D 2251/00; B65F 1/1615
See application file for complete search history.

(56) **References Cited**

U.S. PATENT DOCUMENTS

D285,906 S *	9/1986	Tyler	D9/425
D287,573 S *	1/1987	Tyler	D7/391
D321,111 S	10/1991	Wolff		
D321,456 S	11/1991	Wolff		
D325,847 S	5/1992	Wolff		
D326,979 S	6/1992	Wolff		
D375,654 S	11/1996	Ferris		
D378,563 S	3/1997	Ferris		
D389,012 S	1/1998	Miller		

D445,649 S *	7/2001	Maxwell	D7/629
D460,665 S	7/2002	Lillelund et al.		
D462,880 S *	9/2002	Maxwell	D7/629
D465,382 S *	11/2002	Wolf	D7/392.1
D485,468 S *	1/2004	Roth	D7/392.1
D489,975 S *	5/2004	Jackson	D9/425

(Continued)

Primary Examiner — Ricky Pham

(74) *Attorney, Agent, or Firm* — Taylor J. Ross

(57) **CLAIM**

The ornamental design for a storage container seal and storage containers, as shown and described.

DESCRIPTION

This application is related to co-pending application Nos. 29/496,891; 29/496,893; and 29/496,896, which are incorporated by reference herein.

FIG. 1 is a top, right and front perspective view of a storage container seal showing our new design, shown without the base for completeness of disclosure;

FIG. 2 is a top plan view thereof;

FIG. 3 is a bottom plan view thereof;

FIG. 4 is a right side elevation view thereof;

FIG. 5 is a left side elevation view thereof;

FIG. 6 is a front elevation view thereof;

FIG. 7 is a rear elevation view thereof;

FIG. 8 is a cross-sectional view taken along line 8-8 of FIG. 2;

FIG. 9 is a detail cross-sectional view taken along line 9-9 of FIG. 2;

FIG. 10 is a top, right and front perspective view of a storage container showing our new design;

FIG. 11 is a top plan view thereof;

FIG. 12 is a bottom plan view thereof;

FIG. 13 is a right side elevation view thereof;

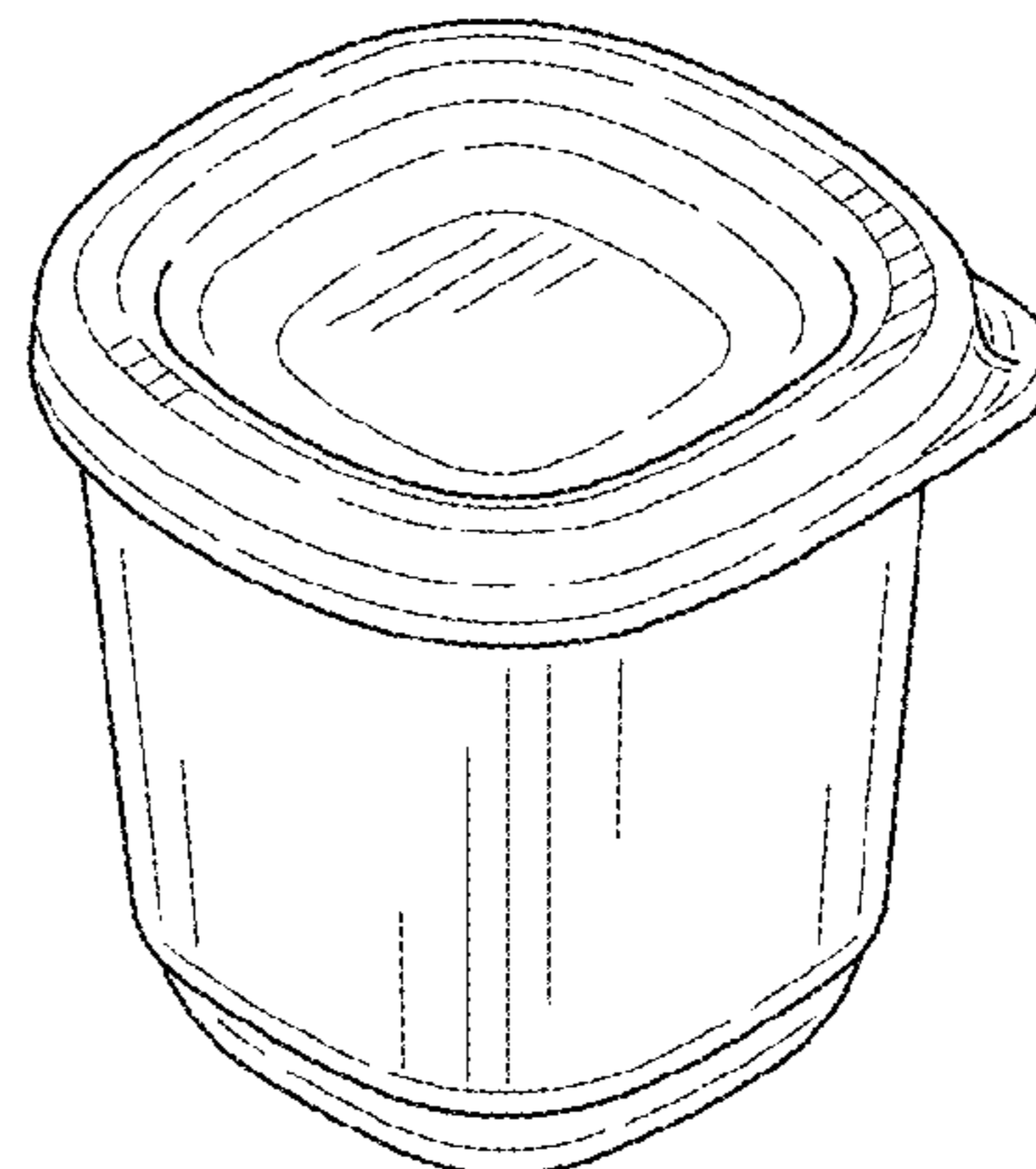
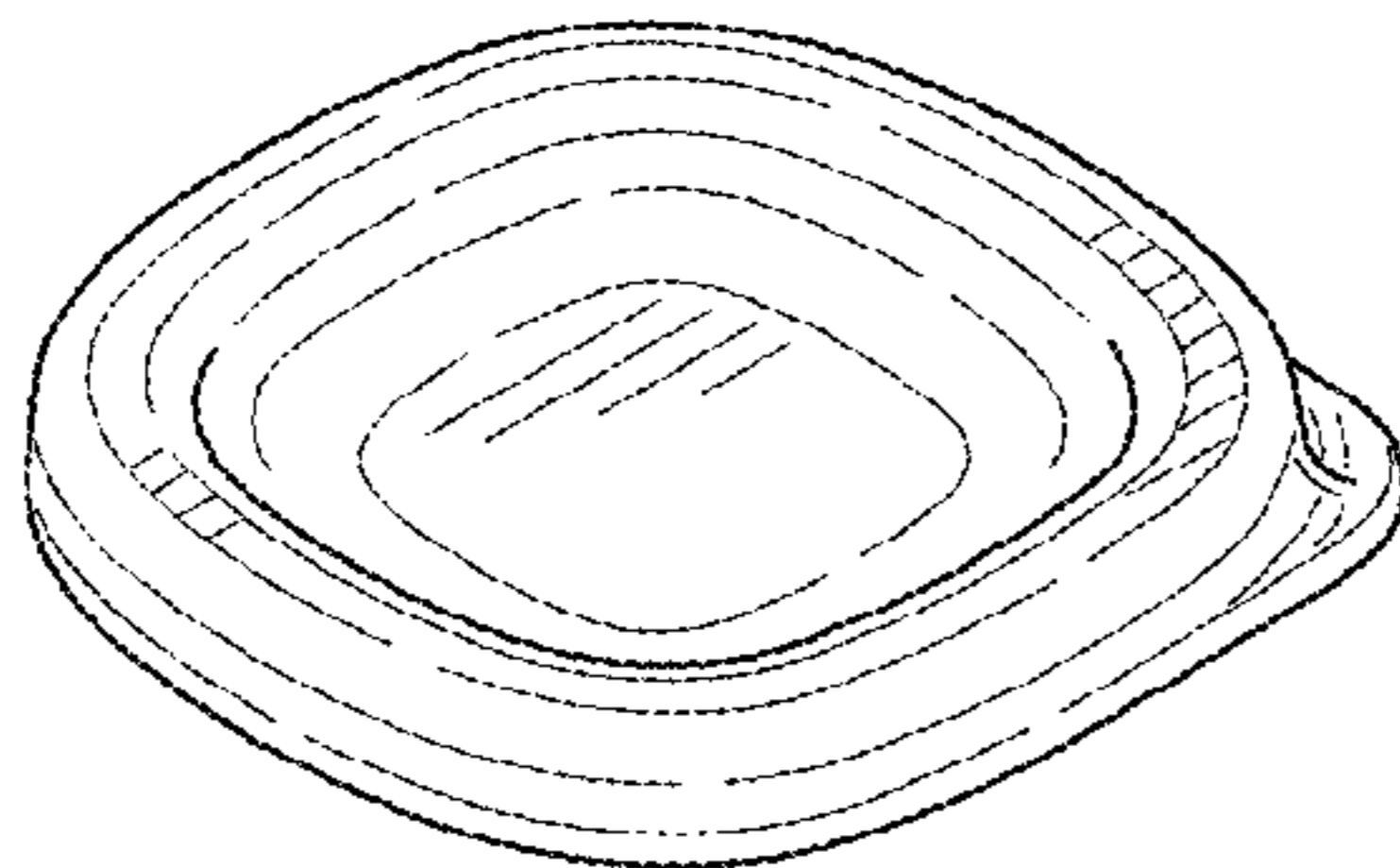
FIG. 14 is a left side elevation view thereof;

FIG. 15 is a front elevation view thereof;

FIG. 16 is a rear elevation view thereof; and,

FIG. 17 is a cross-sectional view taken along line 17-17 of FIG. 11.

1 Claim, 3 Drawing Sheets



(56)

References Cited

U.S. PATENT DOCUMENTS

D505,839 S *	6/2005	Stanos	D7/629	D676,285 S	2/2013	Shirley et al.	
D505,840 S *	6/2005	Schultz	D7/629	D677,996 S	3/2013	Shirley et al.	
D512,278 S *	12/2005	Schultz	D7/629	D682,687 S *	5/2013	McCumber	D9/435
D516,859 S *	3/2006	Zettle	D7/392.1	D686,450 S *	7/2013	Yessin	D7/392.1
D521,380 S *	5/2006	Jackson	D9/425	D696,559 S *	12/2013	Song	D7/629
D547,115 S *	7/2007	Bouveret	D7/392.1	D698,199 S	1/2014	Yessin et al.	
D551,496 S	9/2007	Ablo et al.		D700,482 S	3/2014	Yessin et al.	
D551,515 S	9/2007	Ablo et al.		D700,483 S	3/2014	Yessin et al.	
D584,145 S *	1/2009	Young	D9/435	D716,603 S	11/2014	Yessin et al.	
D585,699 S *	2/2009	Furlong	D7/392.1	D730,112 S *	5/2015	Yessin	D7/392.1
D611,807 S *	3/2010	Miga, Jr.	D9/424	D733,503 S *	7/2015	Bagley	D7/629
D615,349 S *	5/2010	Furlong	D7/392.1	D738,161 S *	9/2015	Yessin	D7/391
D652,672 S	1/2012	Easton		D740,601 S *	10/2015	Carlson	D7/391
				D742,224 S *	11/2015	Thurin	D7/629
				2011/0114638 A1 *	5/2011	Kettner	B65D 43/021 220/260

* cited by examiner

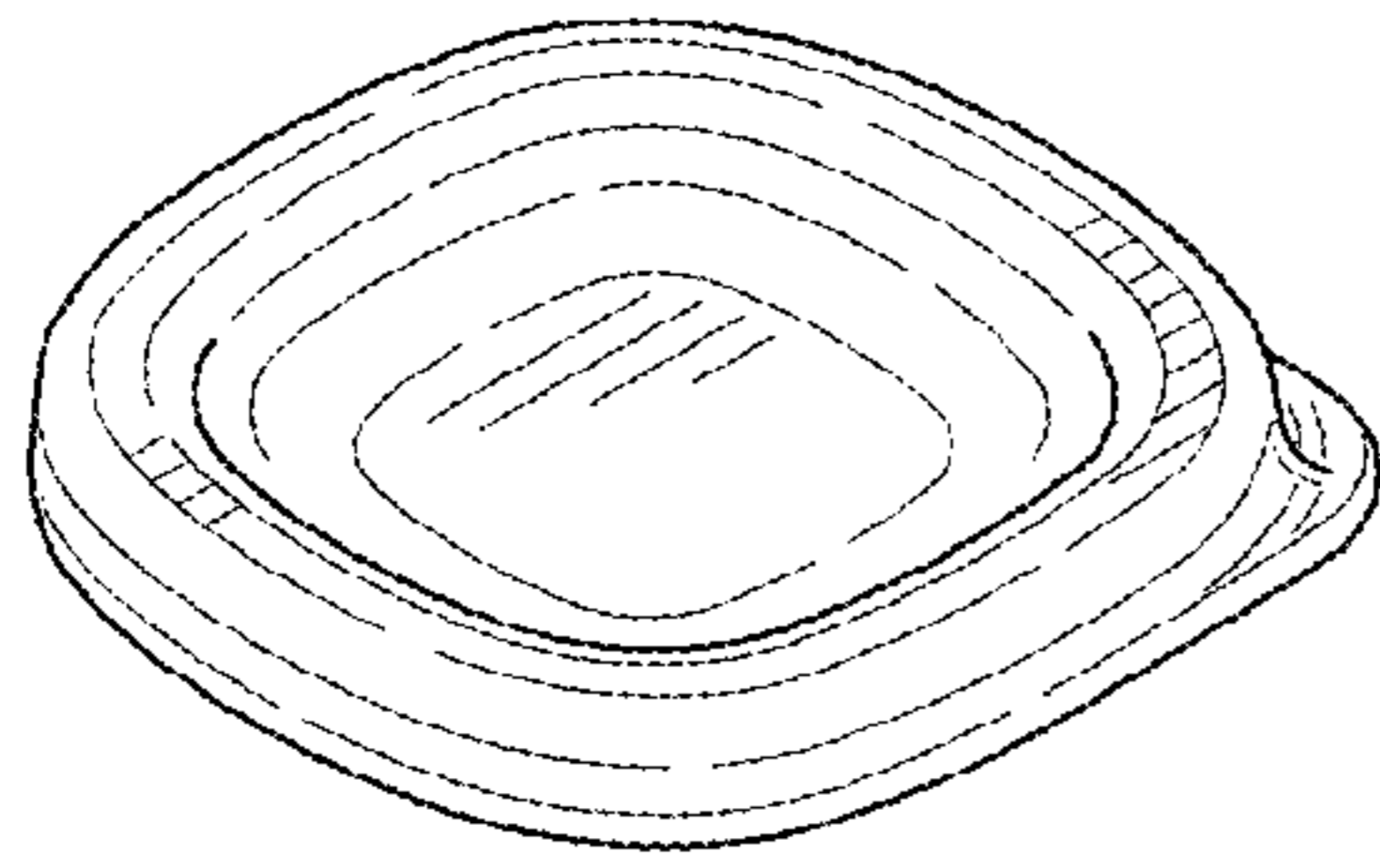


FIG. 1

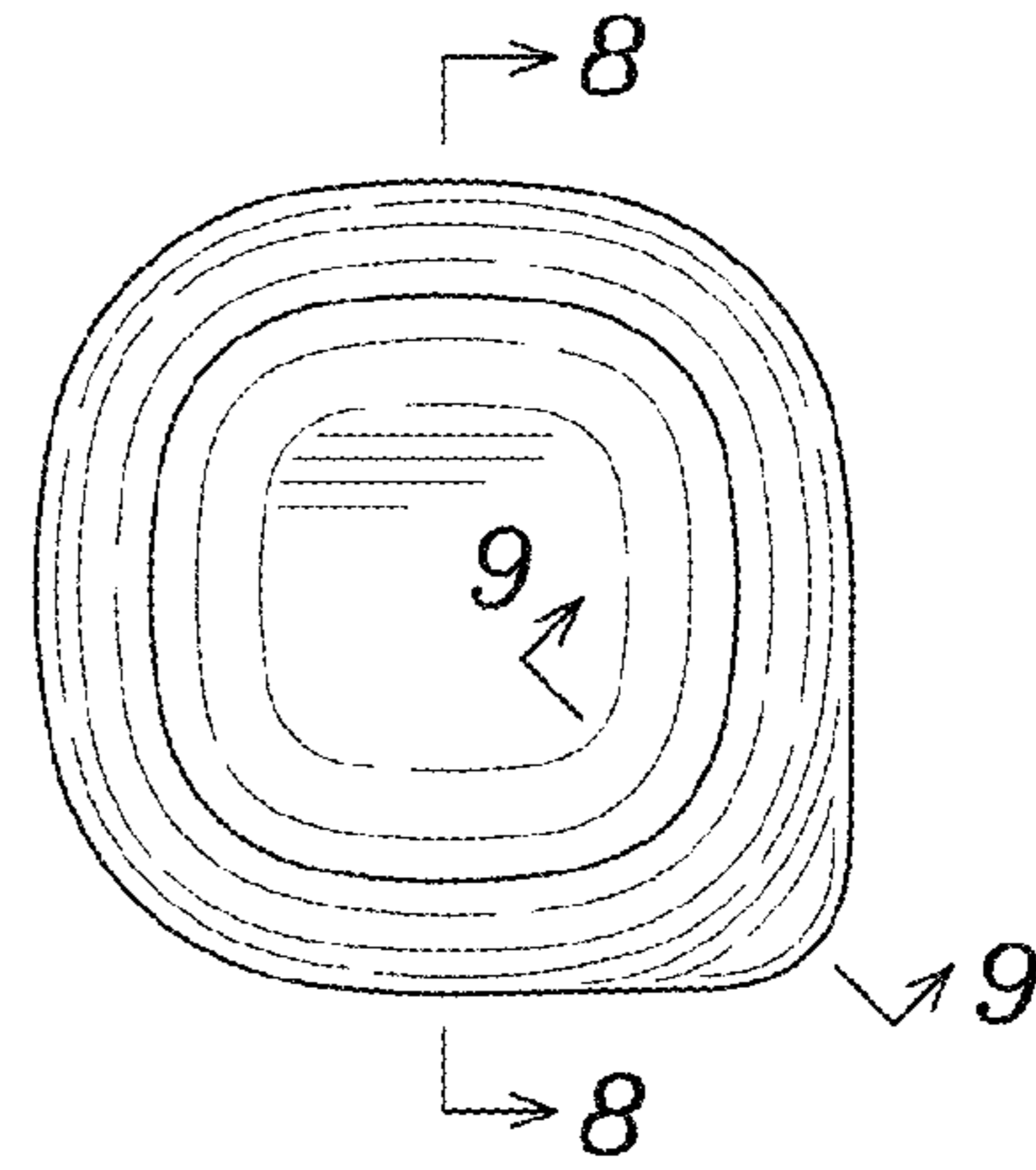


FIG. 2

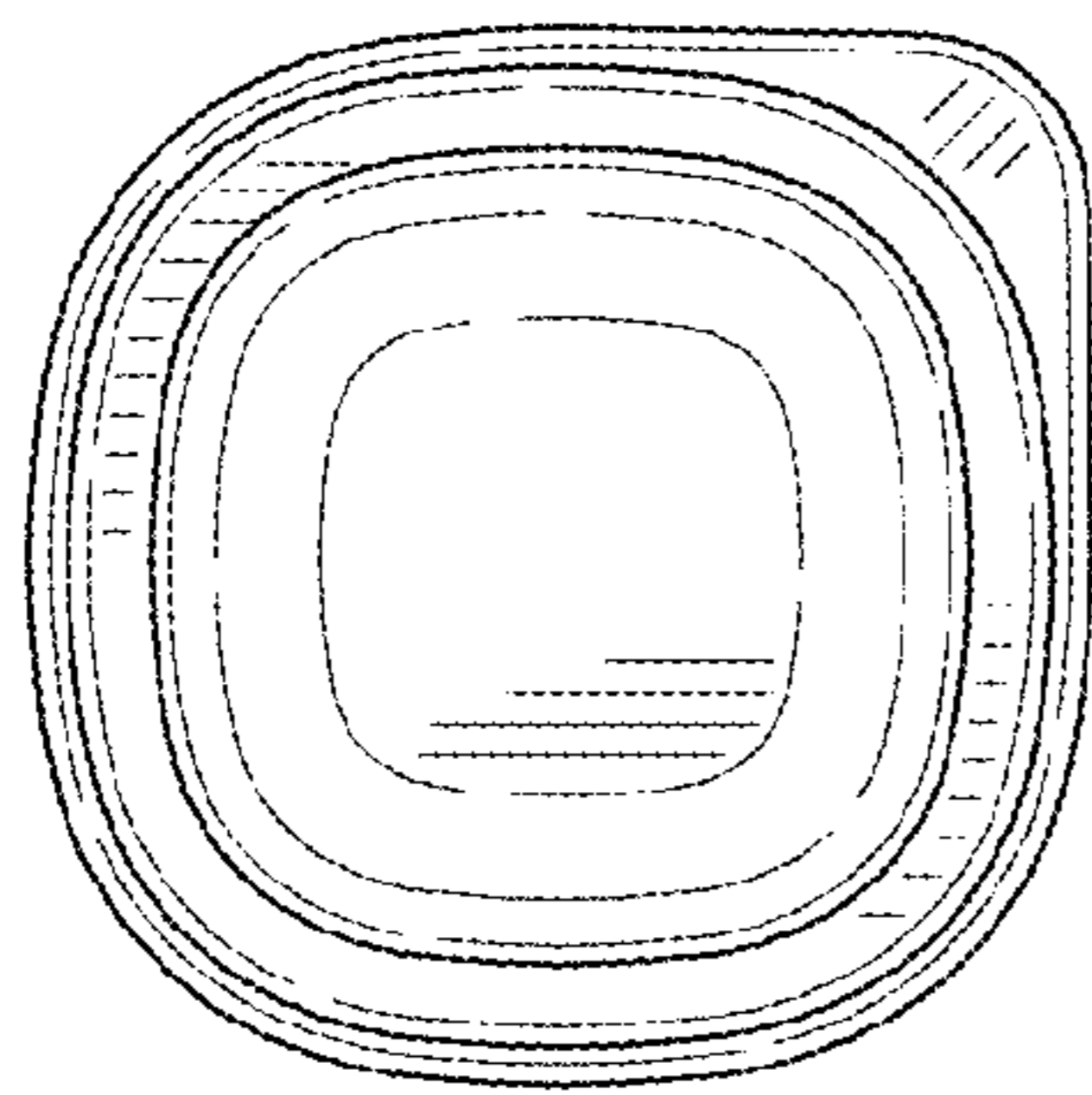


FIG. 3

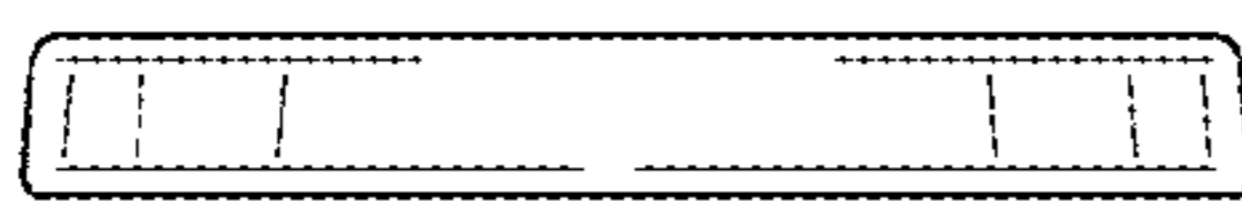


FIG. 4



FIG. 5

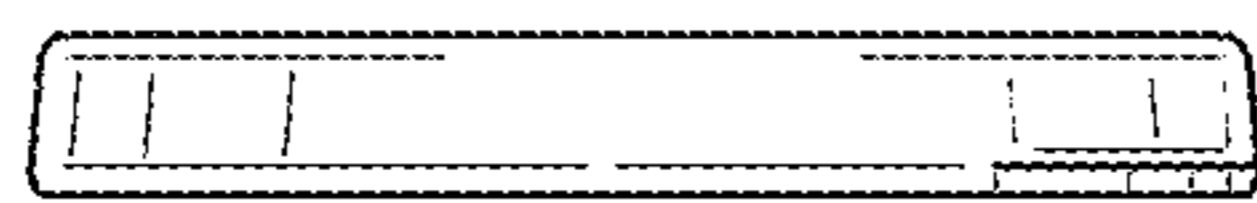


FIG. 6



FIG. 7

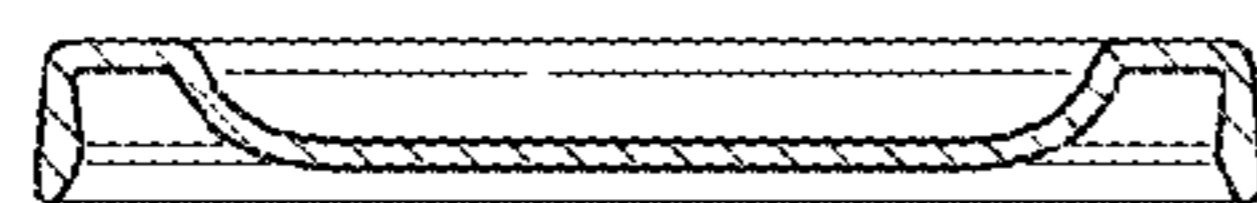


FIG. 8

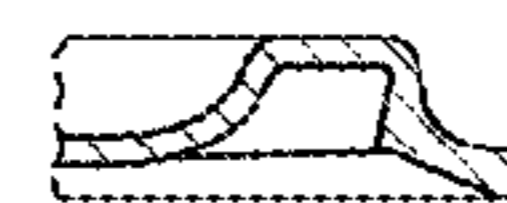


FIG. 9

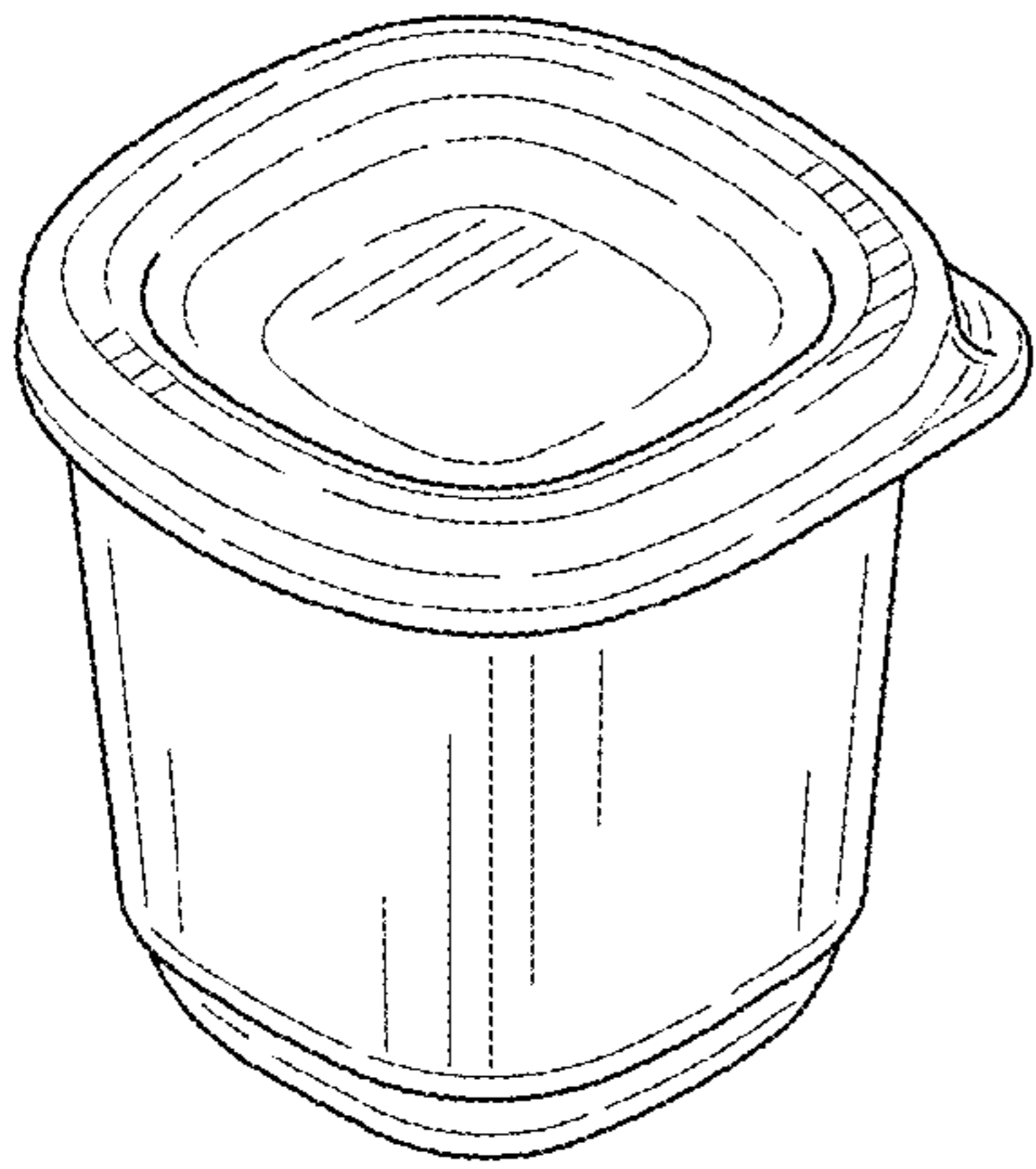


FIG. 10

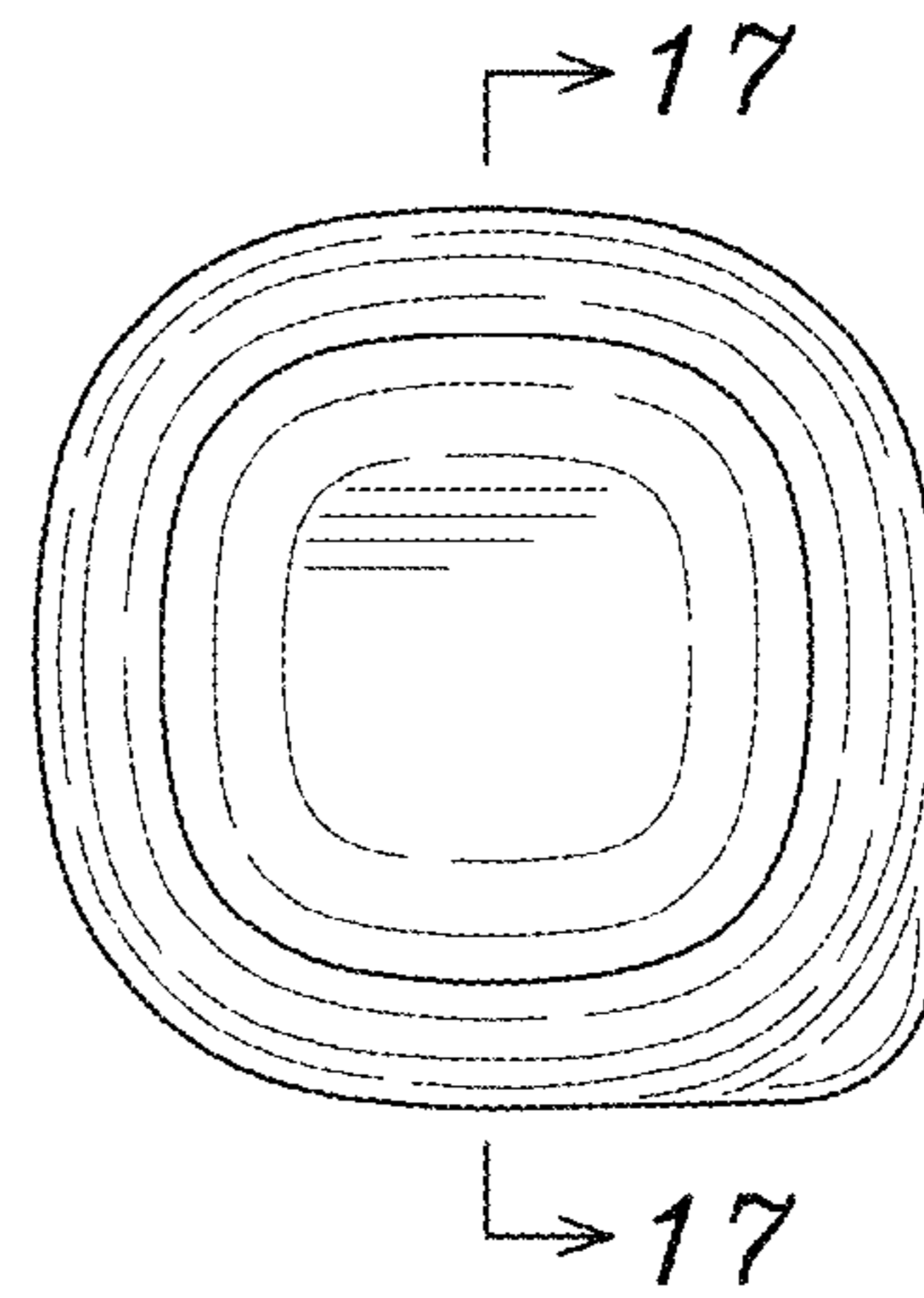


FIG. 11

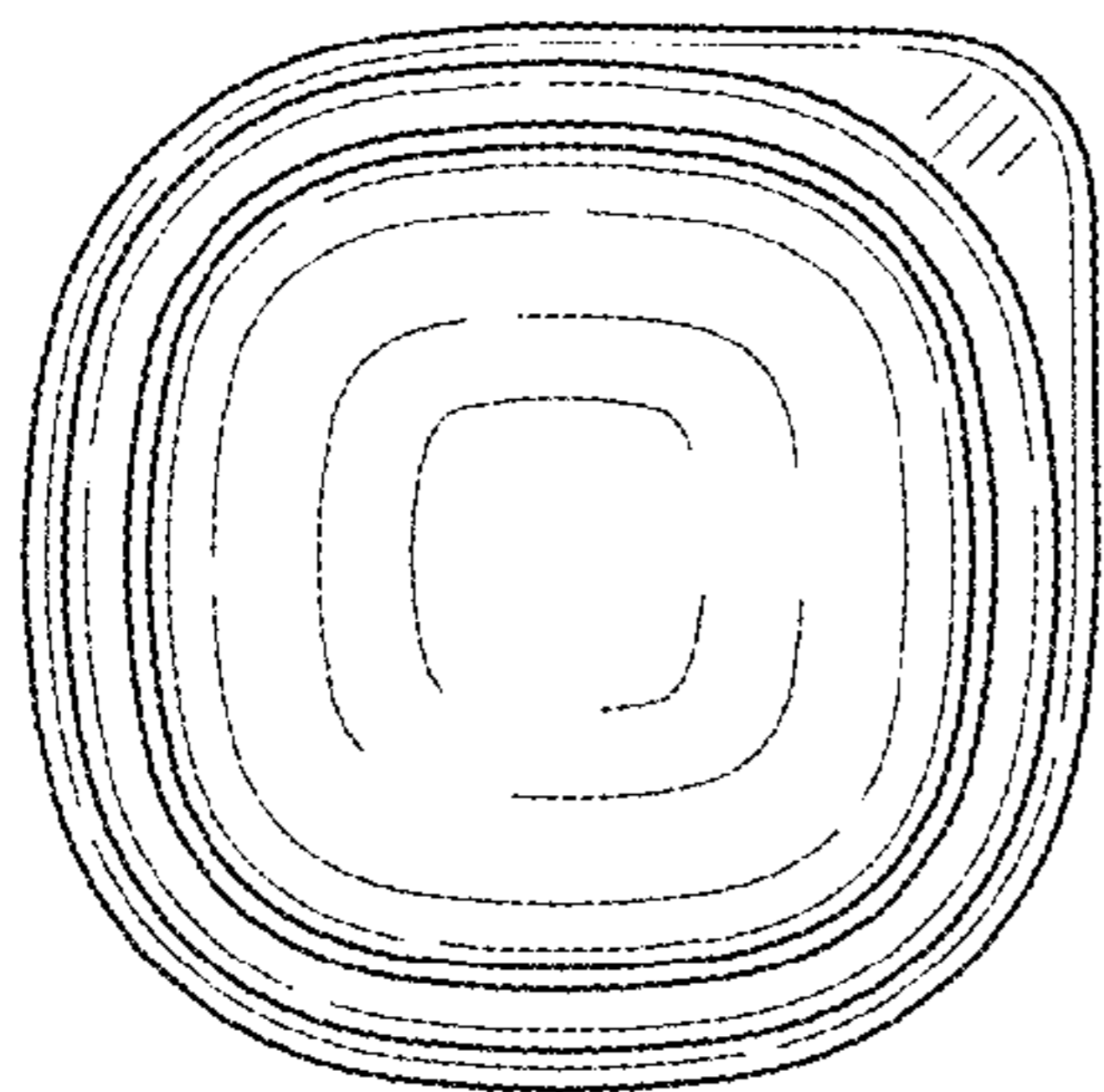


FIG. 12

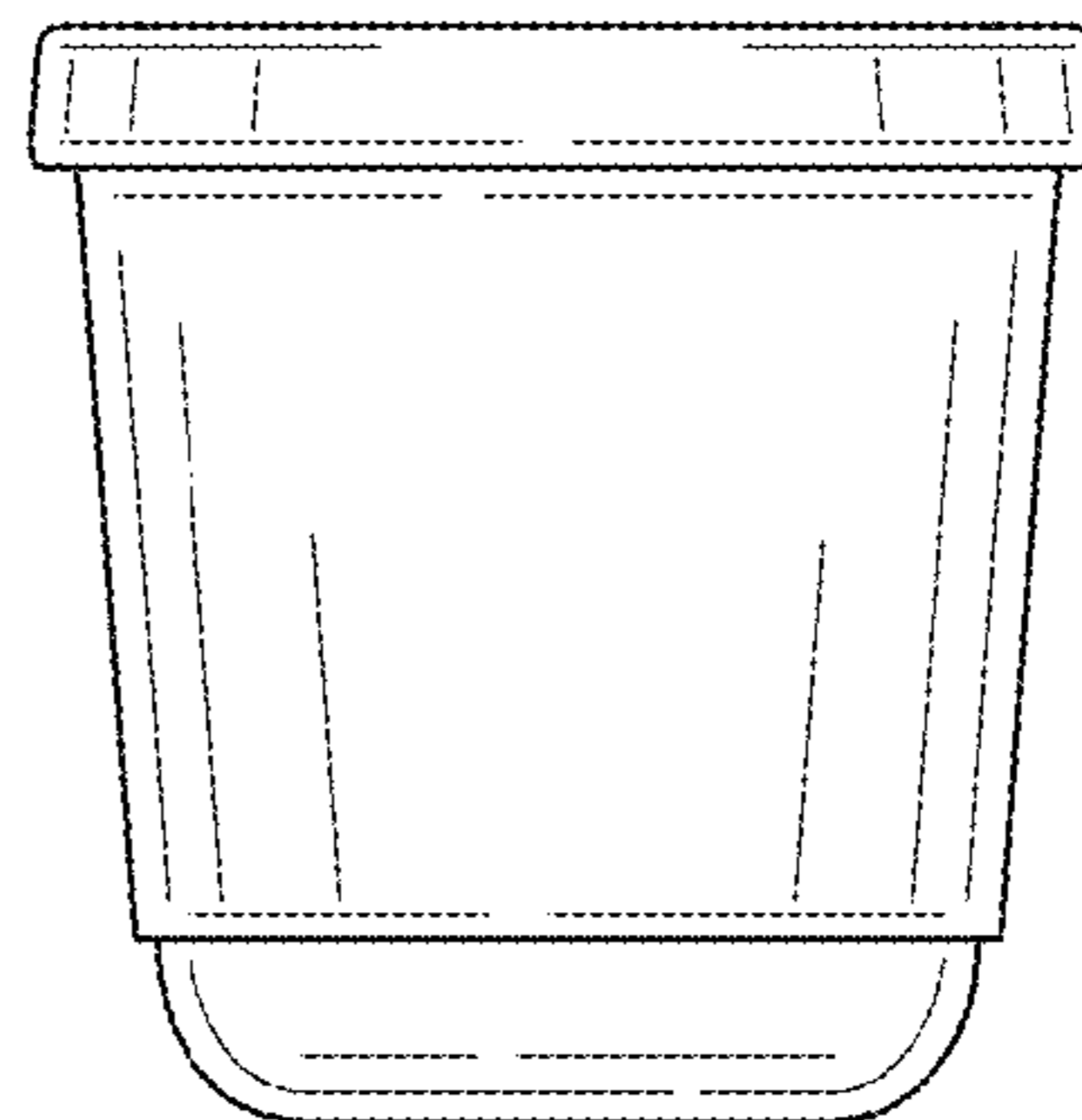


FIG. 13

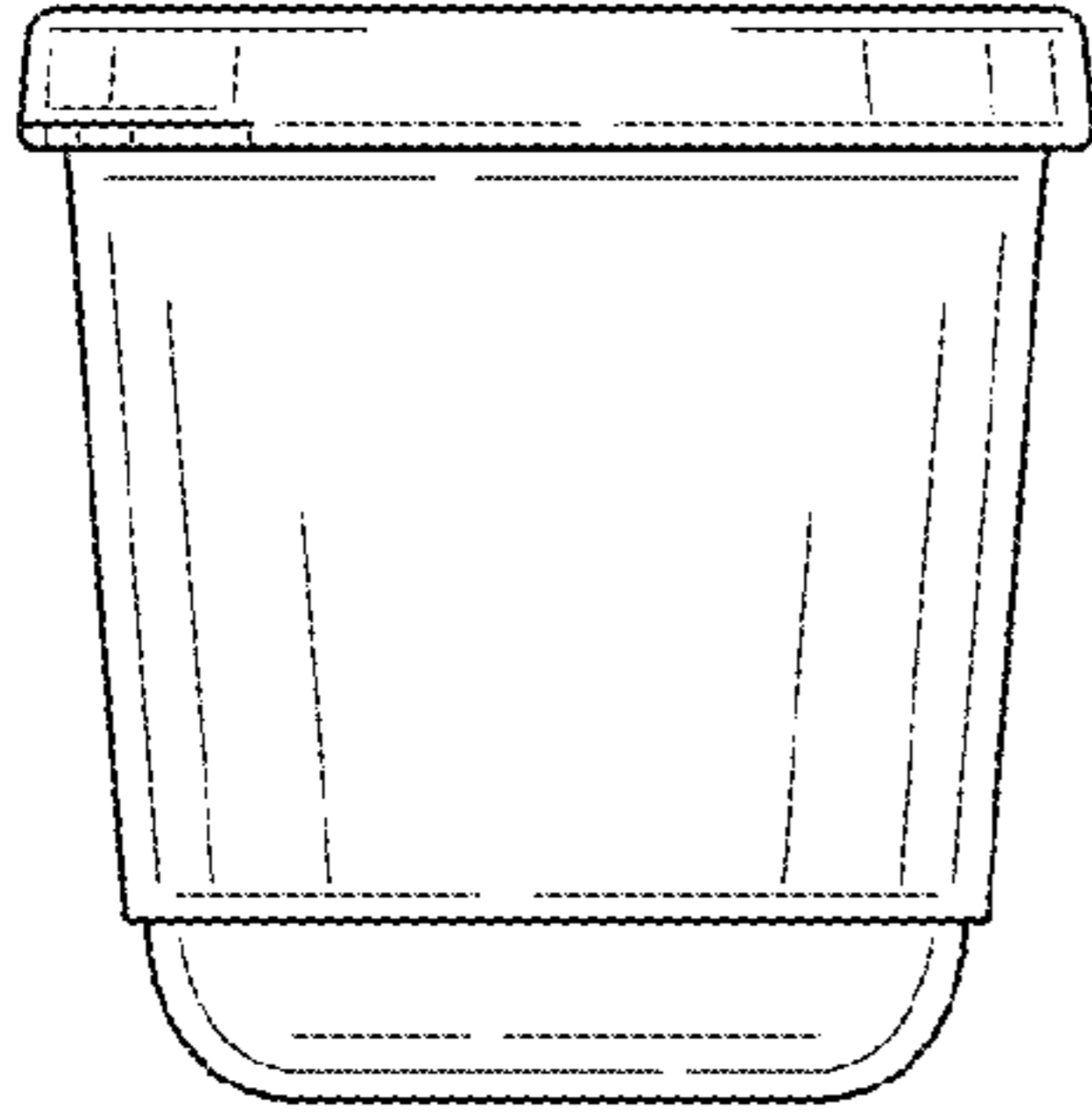


FIG. 14

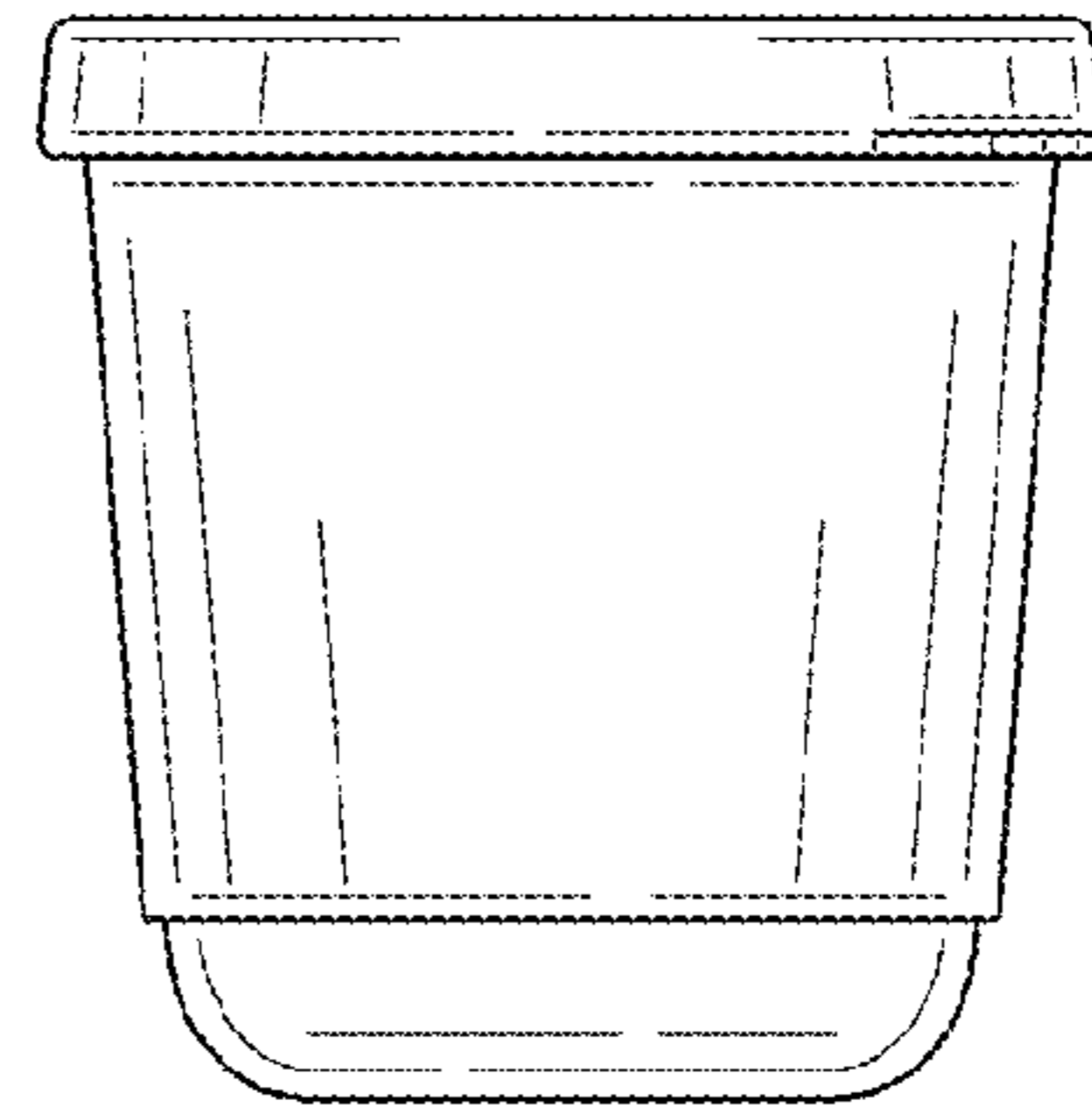


FIG. 15

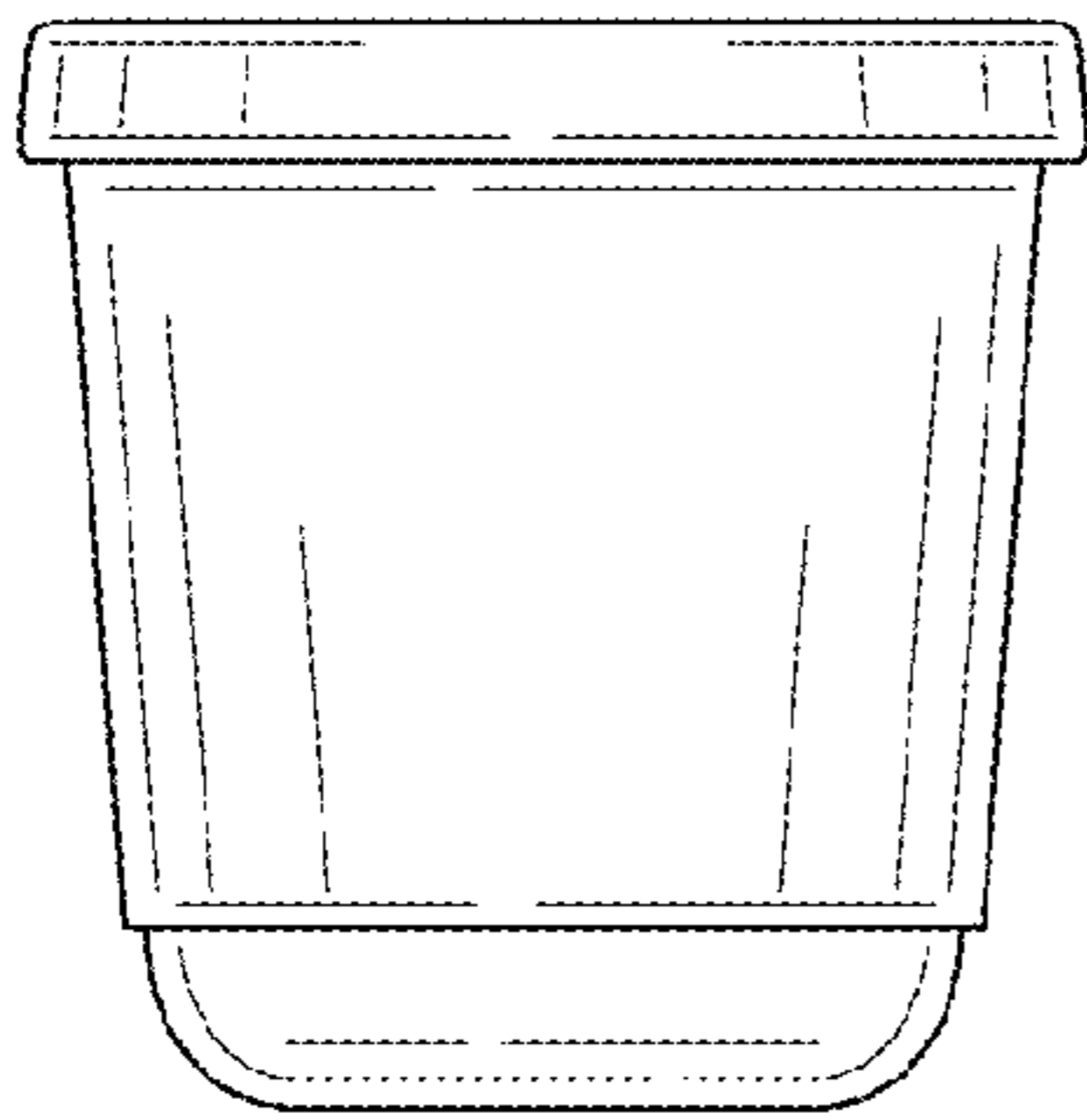


FIG. 16

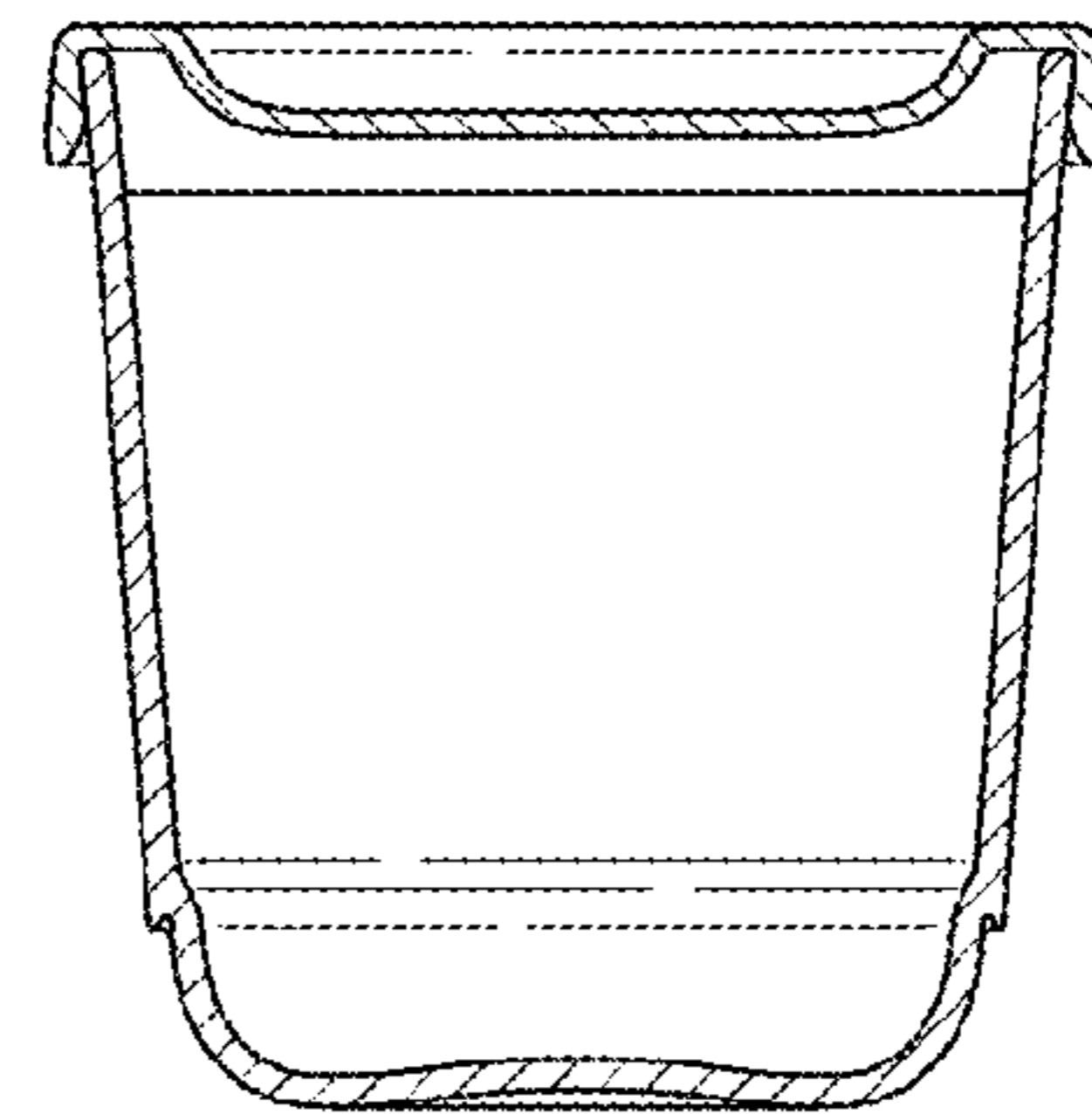


FIG. 17