



US00D751328S

(12) **United States Design Patent**
Zdanius

(10) **Patent No.:** **US D751,328 S**
(45) **Date of Patent:** **** Mar. 15, 2016**

(54) **TABLE**

2012/0000402 A1* 1/2012 Jimenez Mangas ... A47B 13/02
108/159.11

(71) Applicant: **Grimshaw Architects**, New York, NY
(US)

* cited by examiner

(72) Inventor: **Casimir Algis Zdanius**, New York, NY
(US)

Primary Examiner — Janice Seeger

(74) *Attorney, Agent, or Firm* — Armstrong Teasdale LLP

(73) Assignee: **Grimshaw Architects**, New York, NY
(US)

(57)

CLAIM

The ornamental design for a table, as shown and described.

(**) Term: **14 Years**

DESCRIPTION

(21) Appl. No.: **29/487,252**

FIG. 1 is a perspective view of a first embodiment of a table showing my new design;

(22) Filed: **Apr. 7, 2014**

FIG. 2 is a rear elevational view thereof, and the front elevational view is identical to the rear elevational view;

(51) **LOC (10) Cl.** **06-06**

FIG. 3 is a left side elevational view thereof, and the right side elevational view is identical to the left side elevational view;

(52) **U.S. Cl.**

FIG. 4 is a top plan view thereof;

USPC **D6/708**

FIG. 5 is a bottom plan view thereof;

(58) **Field of Classification Search**

FIG. 6 is a perspective view of a second embodiment of a table showing my new design;

USPC D6/708, 708.16, 691, 691.6, 692, 692.4

FIG. 7 is a rear elevational view thereof, and the front elevational view is identical to the rear elevational view;

CPC .. A47B 13/02; A47B 2013/024; A47B 13/06;

FIG. 8 is a left side elevational view thereof, and the right side elevational view is identical to the left side elevational view;

A47B 2013/022; A47B 2200/012

See application file for complete search history.

FIG. 9 is a top plan view thereof;

(56) **References Cited**

FIG. 10 is a partial enlarged top plan view thereof; and,

U.S. PATENT DOCUMENTS

FIG. 11 is a bottom plan view thereof.

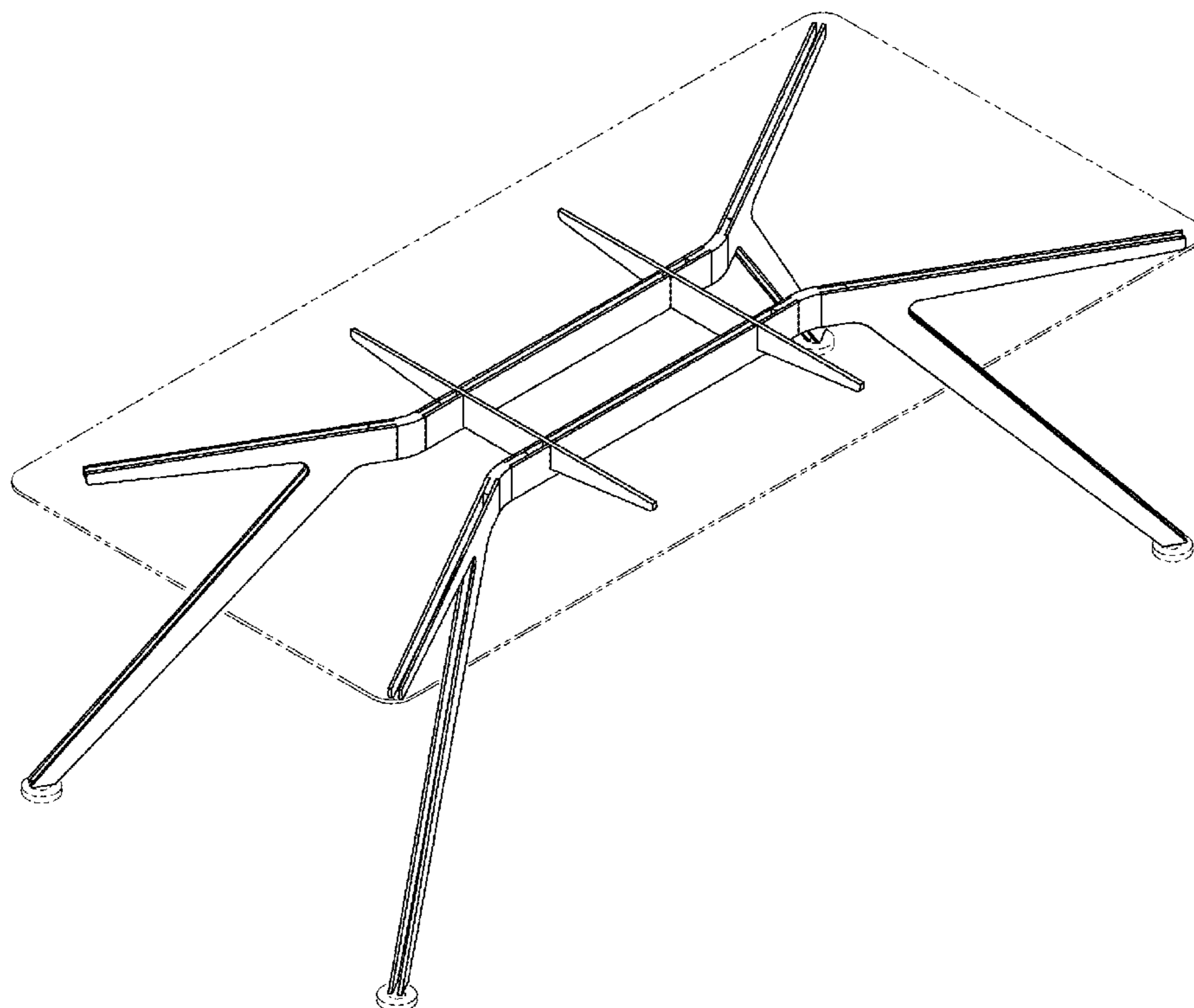
D332,363 S * 1/1993 Hollein D6/691.3

D591,539 S * 5/2009 Bracher D6/708

D696,542 S * 12/2013 Stromborg D6/708

Portions of the views shown in phantom form no part of the invention.

1 Claim, 11 Drawing Sheets



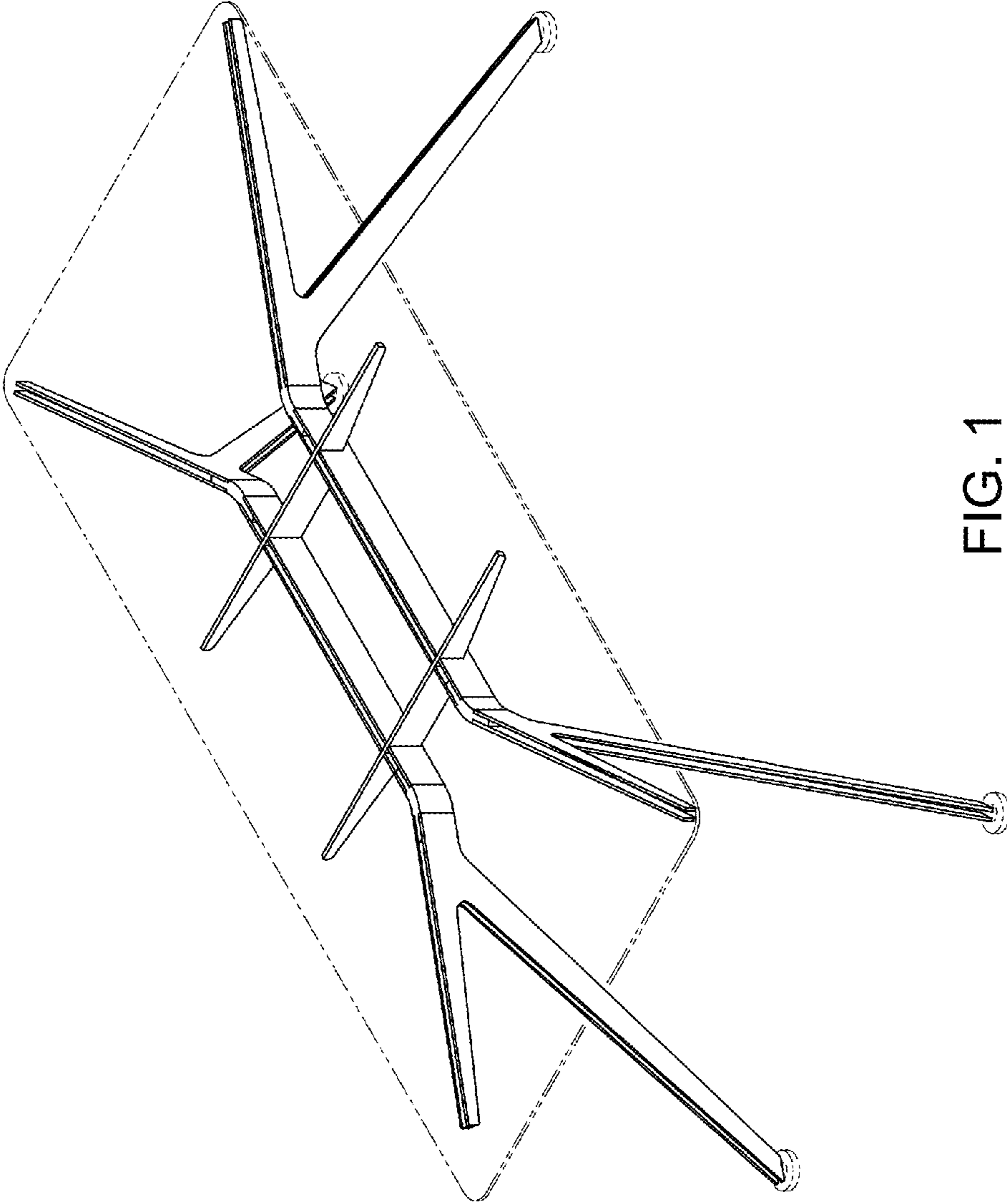


FIG. 1

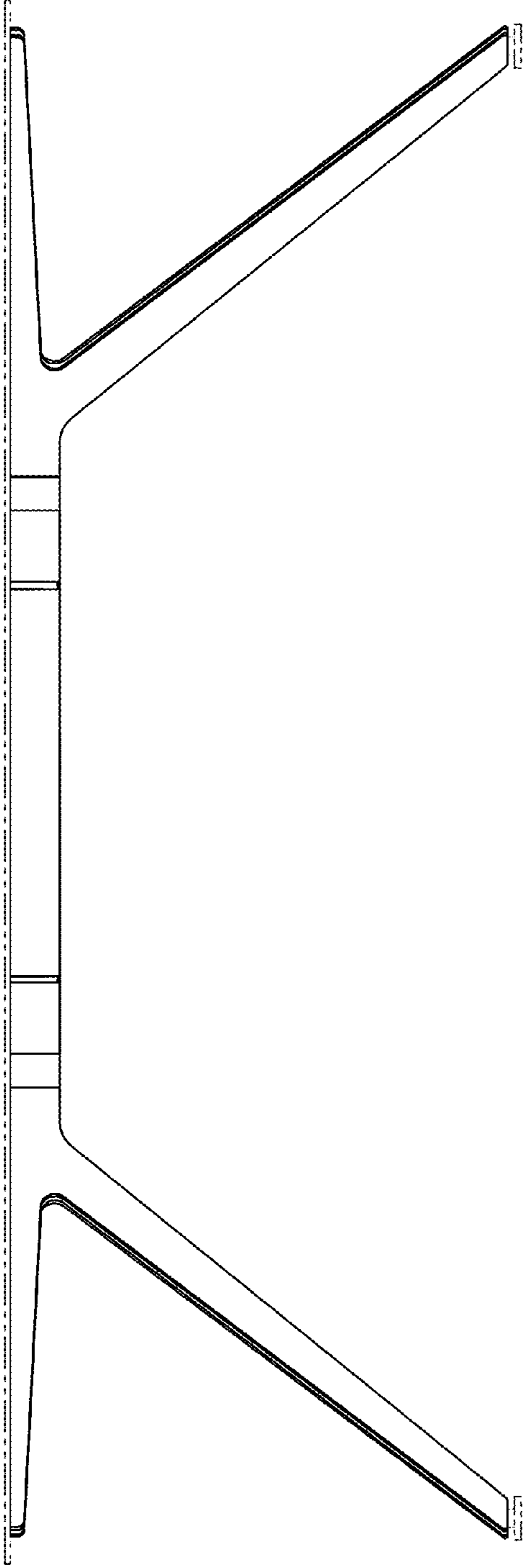


FIG. 2

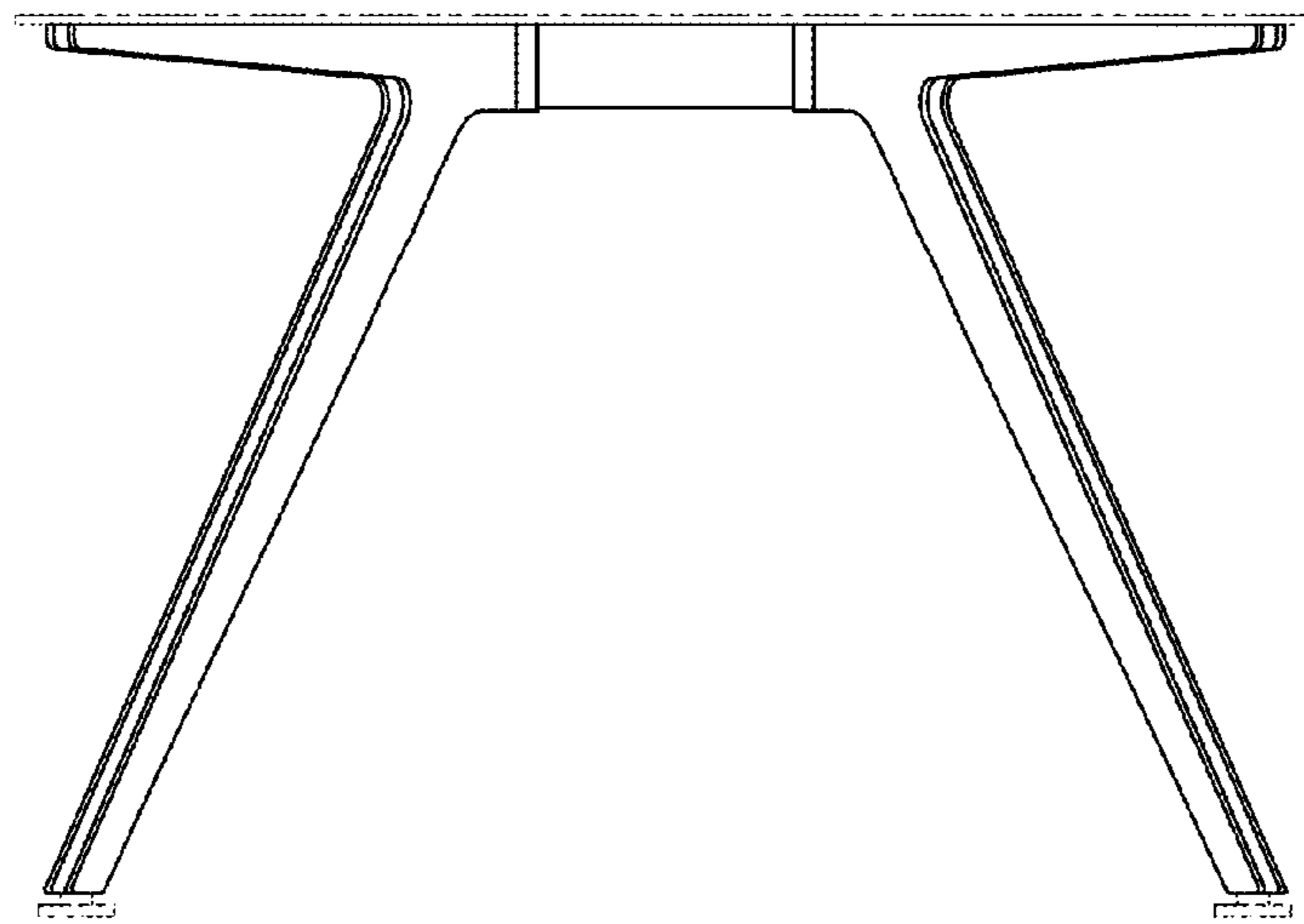


FIG. 3

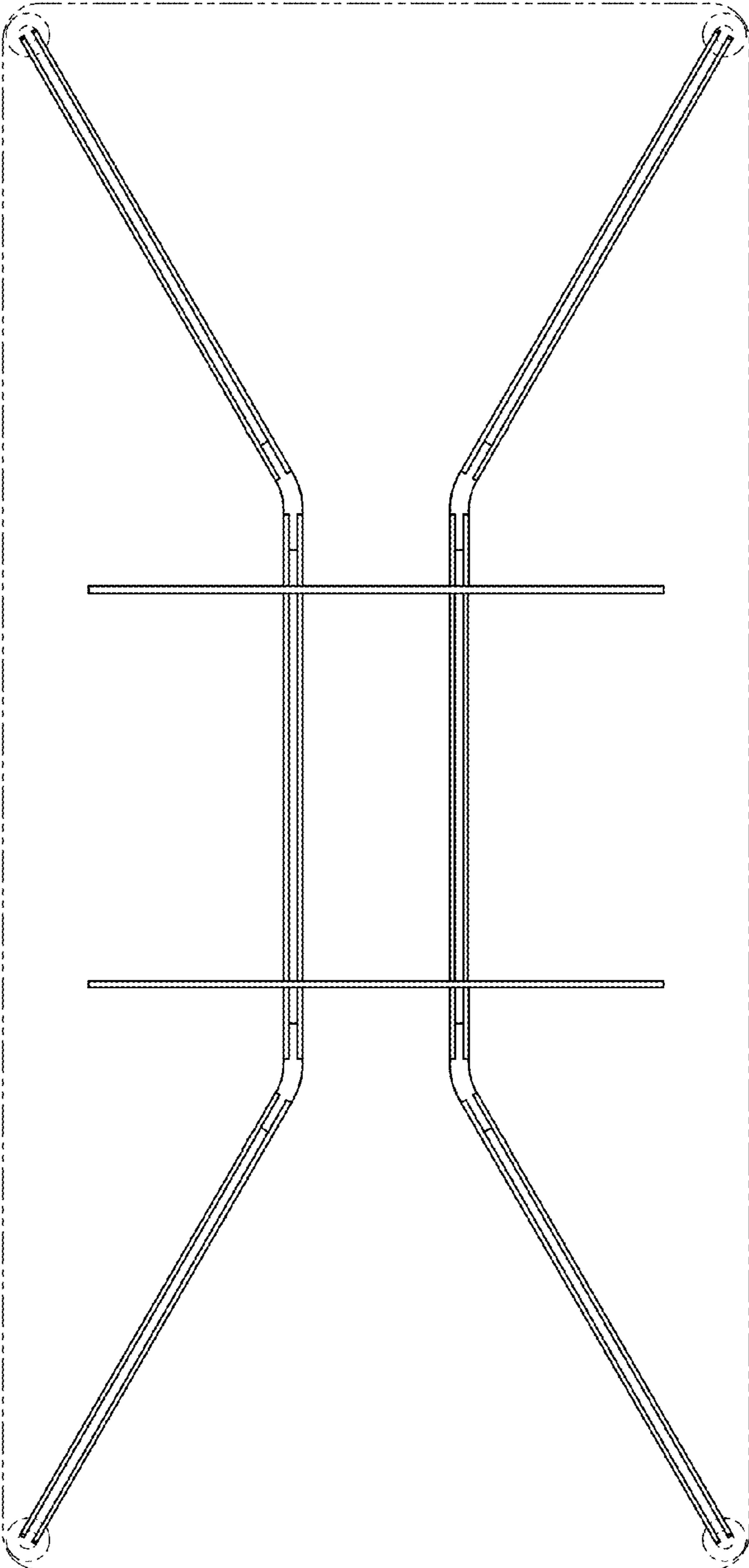


FIG. 4

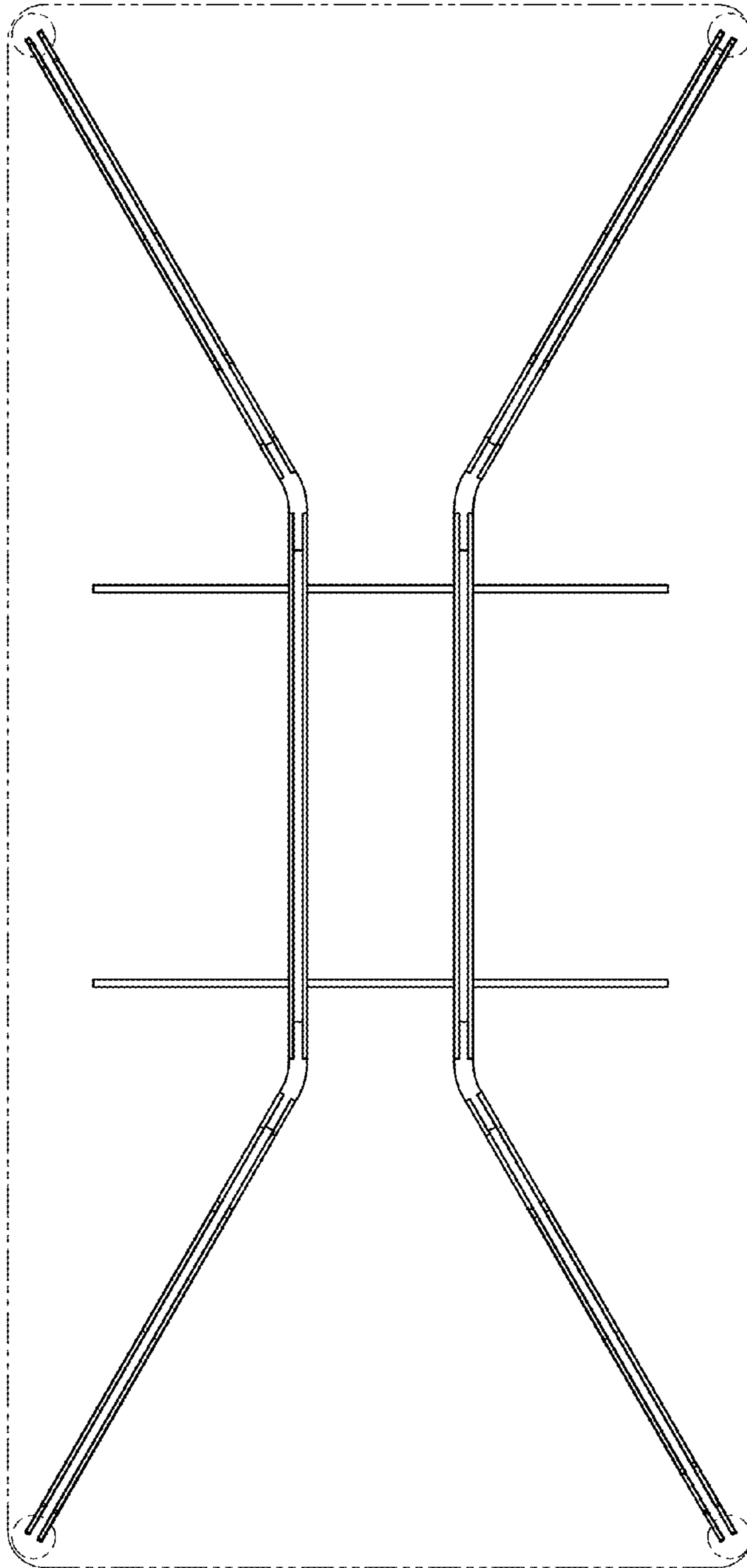


FIG. 5

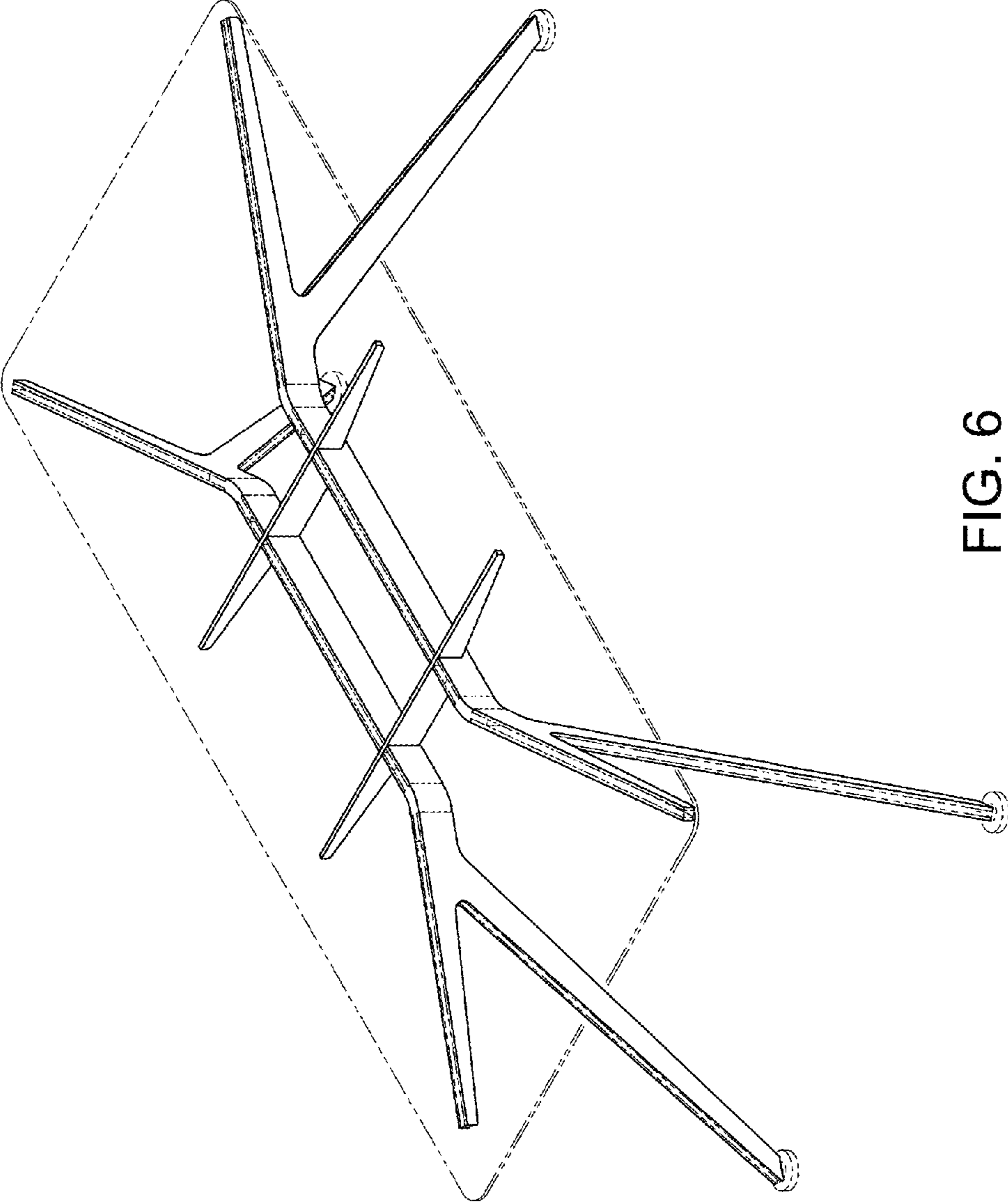


FIG. 6

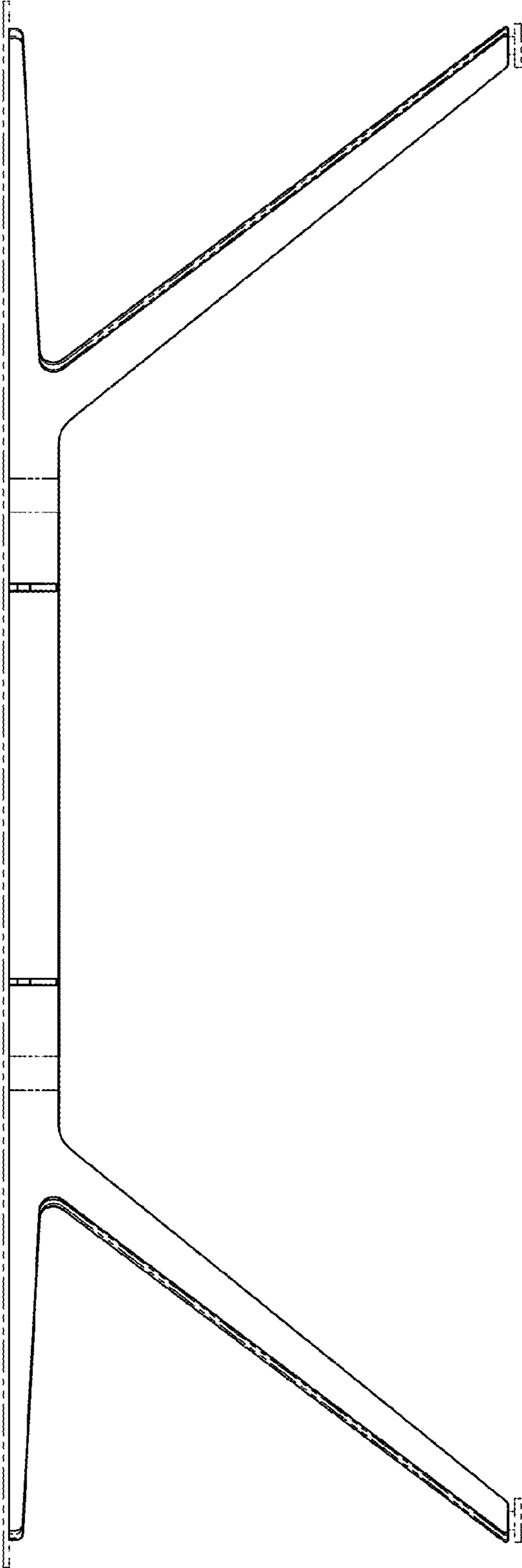


FIG. 7

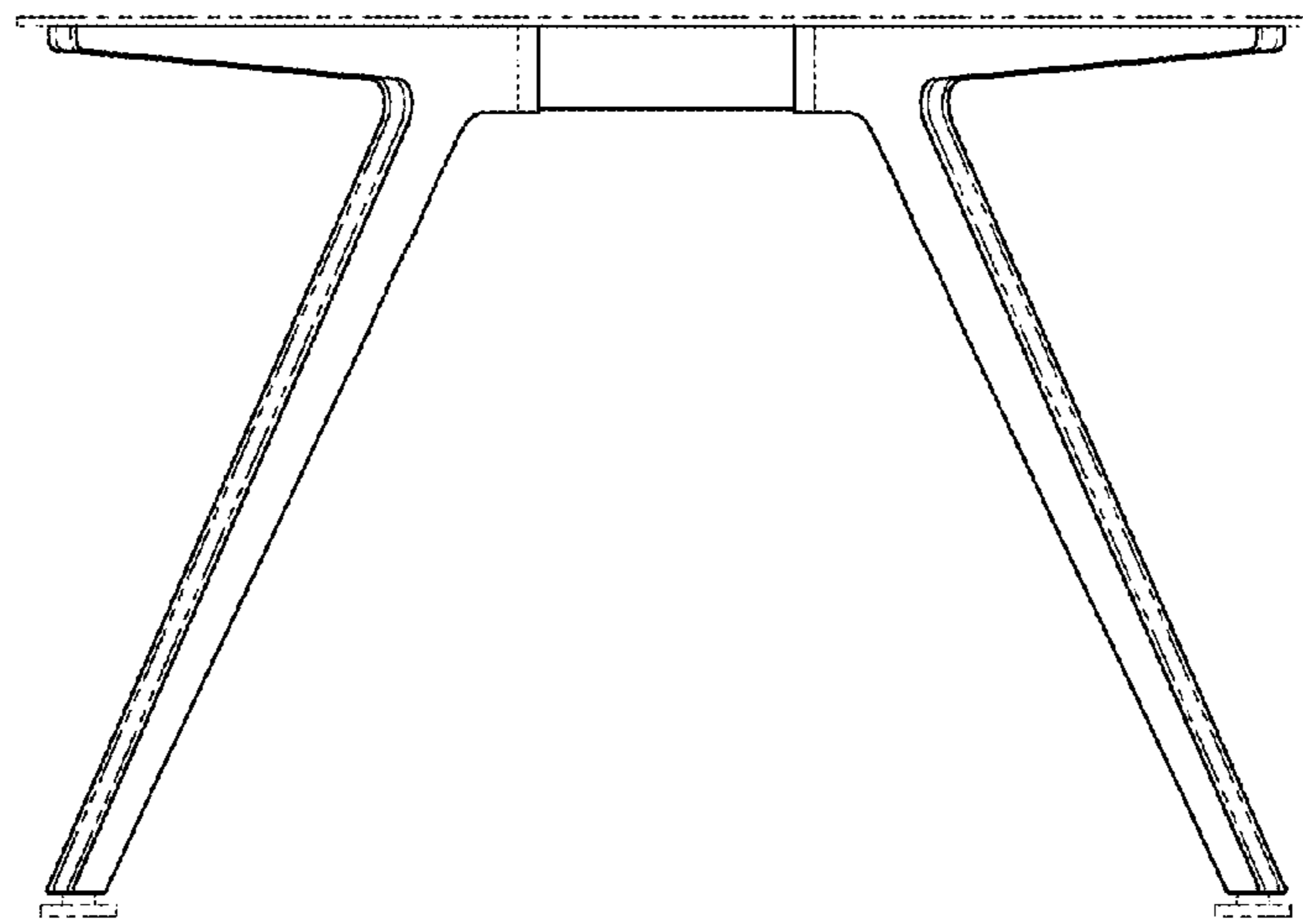


FIG. 8

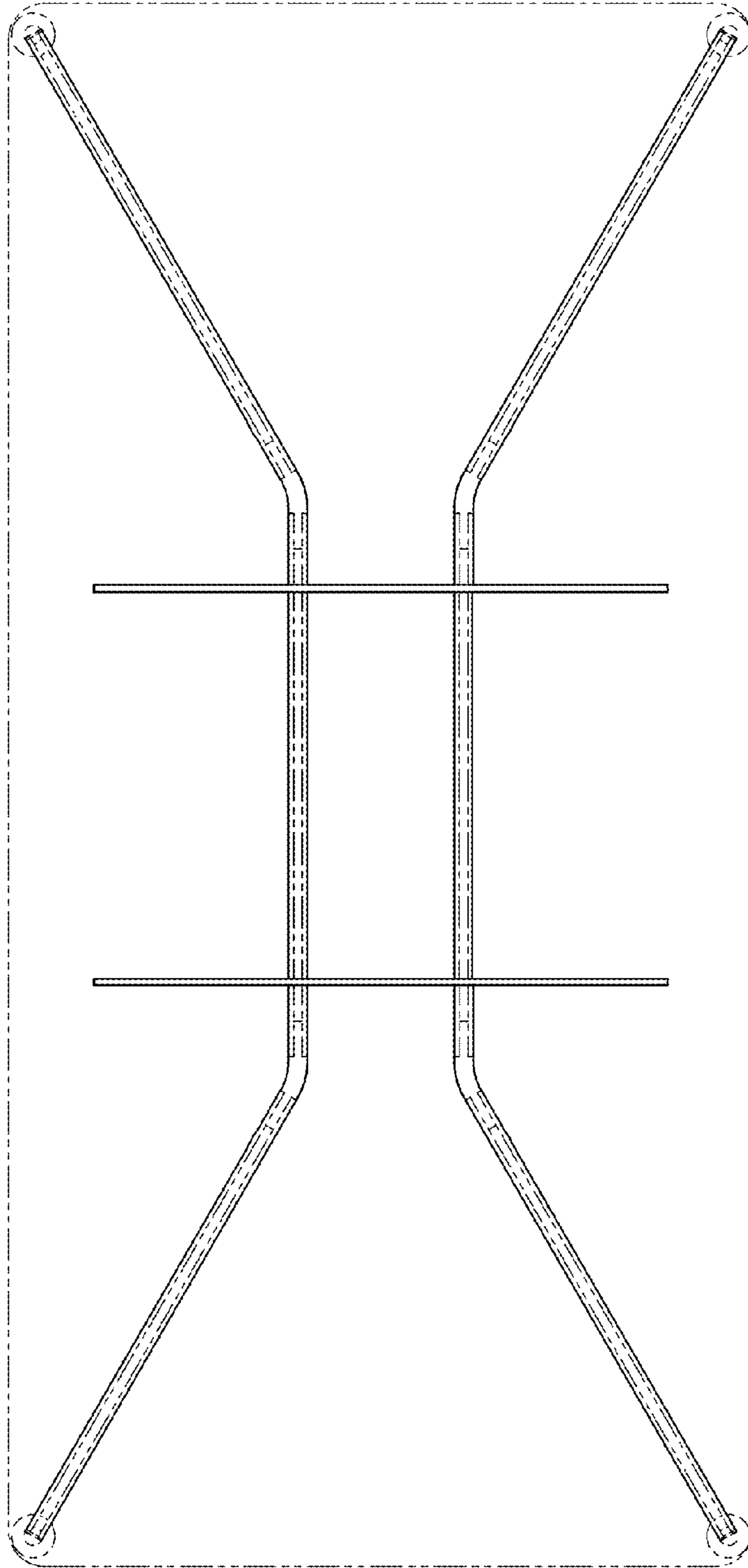


FIG. 9

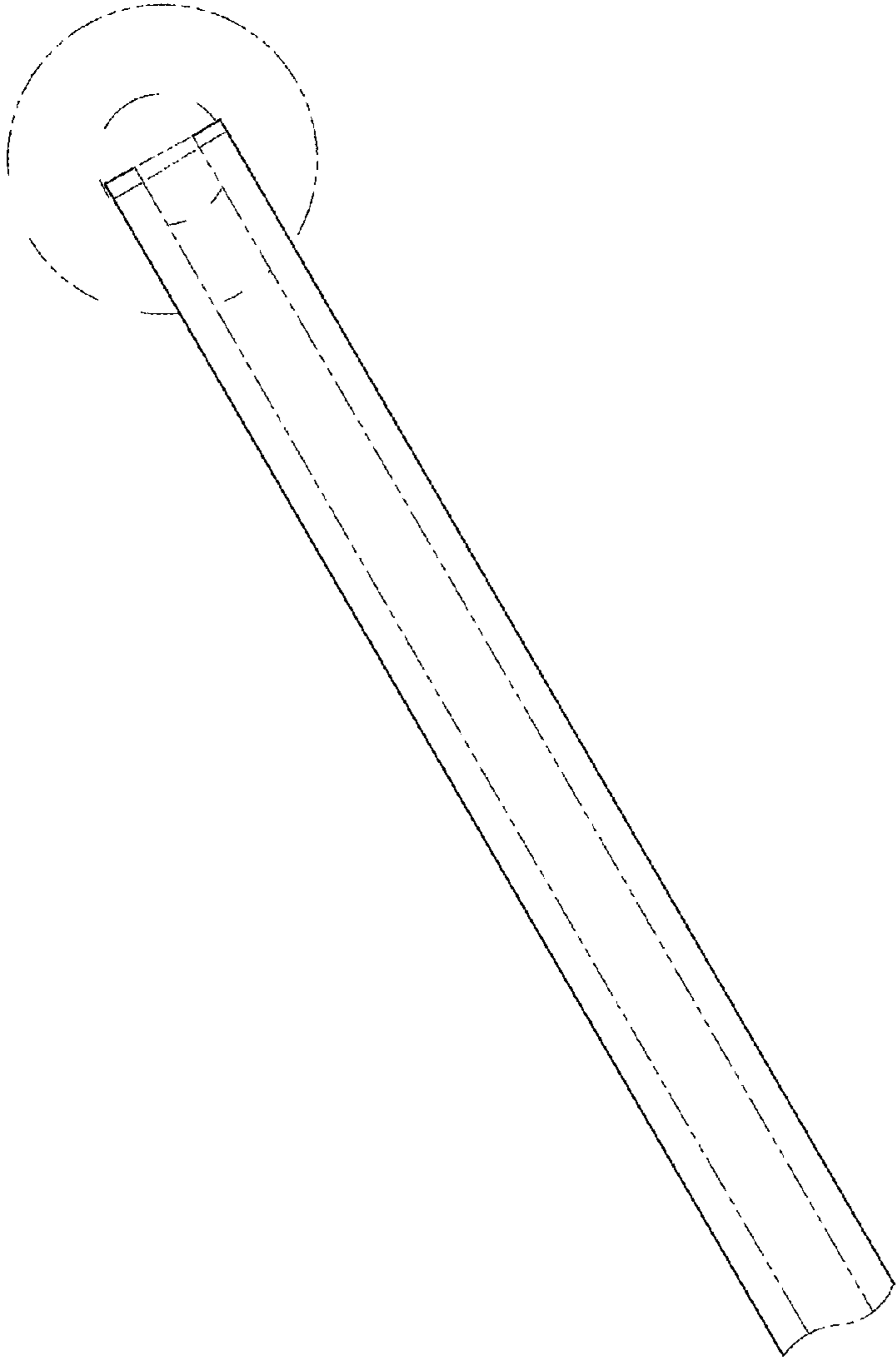


FIG. 10

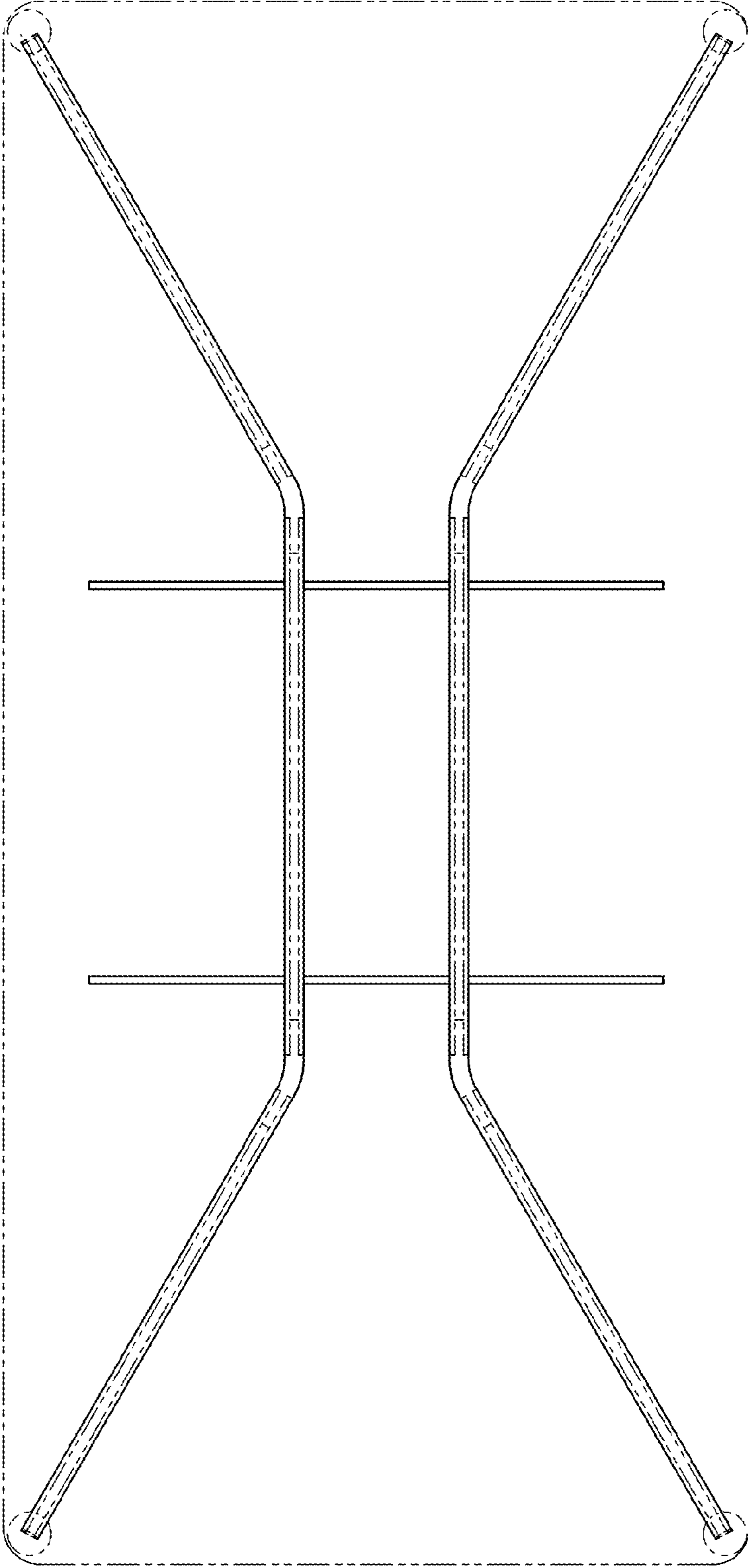


FIG. 11