



US00D751323S

(12) **United States Design Patent**
Colangelo, IV

(10) **Patent No.:** **US D751,323 S**
(45) **Date of Patent:** **** Mar. 15, 2016**

(54) **SHELF UNIT**

(71) Applicant: **Louis Colangelo, III**, Carlisle, PA (US)

(72) Inventor: **Louis Colangelo, IV**, Carlisle, PA (US)

(73) Assignee: **Louis Colangelo, III**, Carlisle, PA (US)

(**) Term: **14 Years**

(21) Appl. No.: **29/511,049**

(22) Filed: **Dec. 5, 2014**

(51) **LOC (10) Cl.** **06-06**

(52) **U.S. Cl.**
USPC **D6/677.1**

(58) **Field of Classification Search**
USPC D6/396-397, 449, 454, 509-511,
D6/672-673, 677-677.1, 677.3
CPC A47F 5/0018; A47B 96/02
See application file for complete search history.

(56) **References Cited**

U.S. PATENT DOCUMENTS

D242,403 S *	11/1976	Webster	D6/681.3
D250,301 S *	11/1978	Handler	D6/561
D357,160 S *	4/1995	Fritze	D6/677.3
D413,046 S *	8/1999	Fritze	D7/505

D461,026 S *	7/2002	Mason	D30/160
7,287,870 B1 *	10/2007	Knoch	G09F 13/04 362/806
D558,526 S *	1/2008	Molina	D7/550.1
D577,962 S *	10/2008	Bauer	D7/552.2
D614,002 S *	4/2010	Heap	D7/610
D664,010 S *	7/2012	Goode	D7/610
D697,341 S *	1/2014	Fakahany	D6/677.3
D706,065 S *	6/2014	Wilson	D6/677.3

* cited by examiner

Primary Examiner — Kelley Donnelly

(74) *Attorney, Agent, or Firm* — Steven E. Koffs; Duane Morris LLP

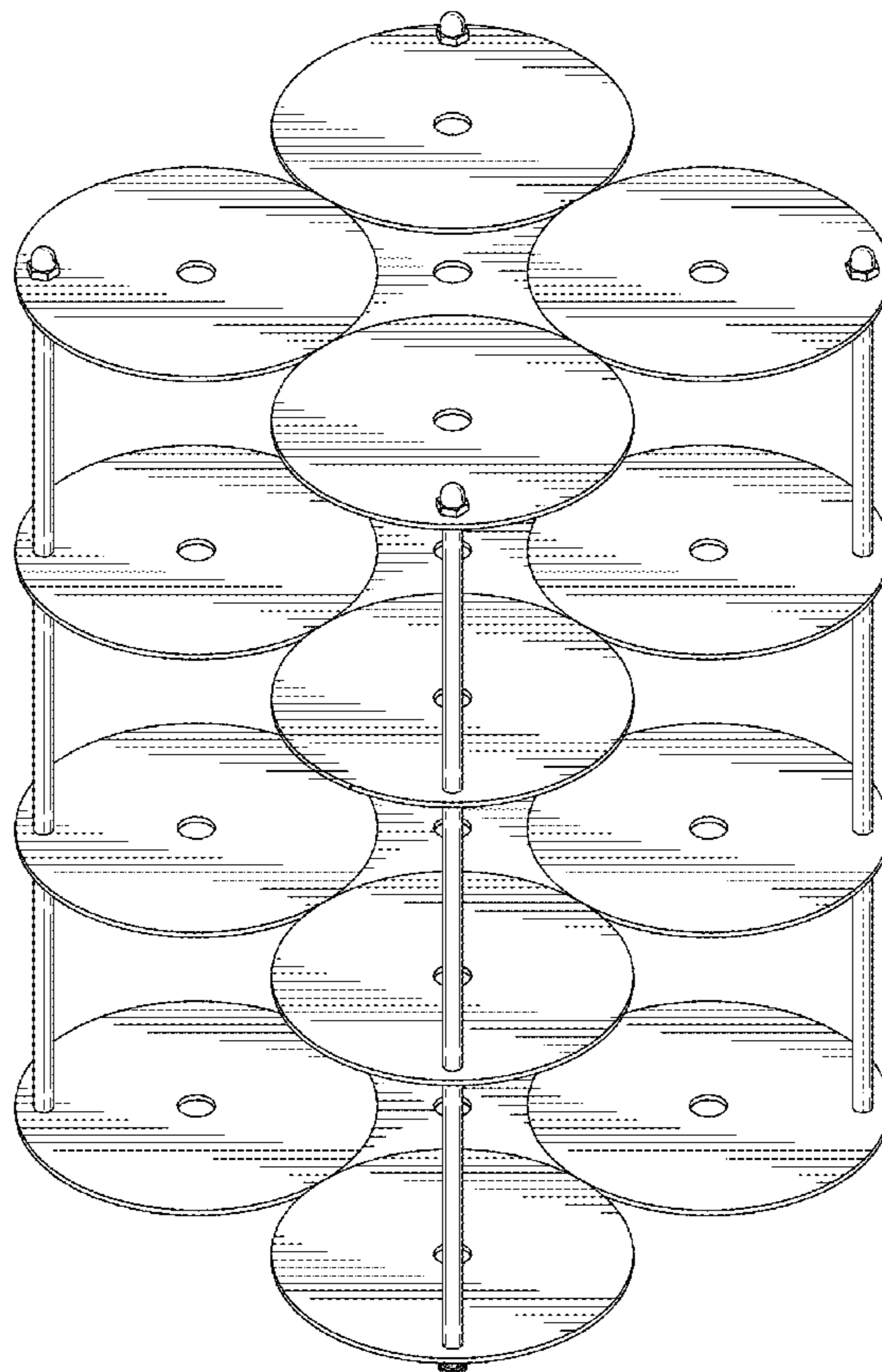
(57) **CLAIM**

The ornamental design for shelf unit, as shown and described.

DESCRIPTION

FIG. 1 is a Front Isometric view of the shelf unit;
FIG. 2 is a Top View of the shelf unit;
FIG. 3 is a Bottom View of the shelf unit;
FIG. 4 is a Front View of the shelf unit;
FIG. 5 is a Rear View of the shelf unit;
FIG. 6 is a Right View of the shelf unit; and,
FIG. 7 is a Left View of the shelf unit.

1 Claim, 7 Drawing Sheets



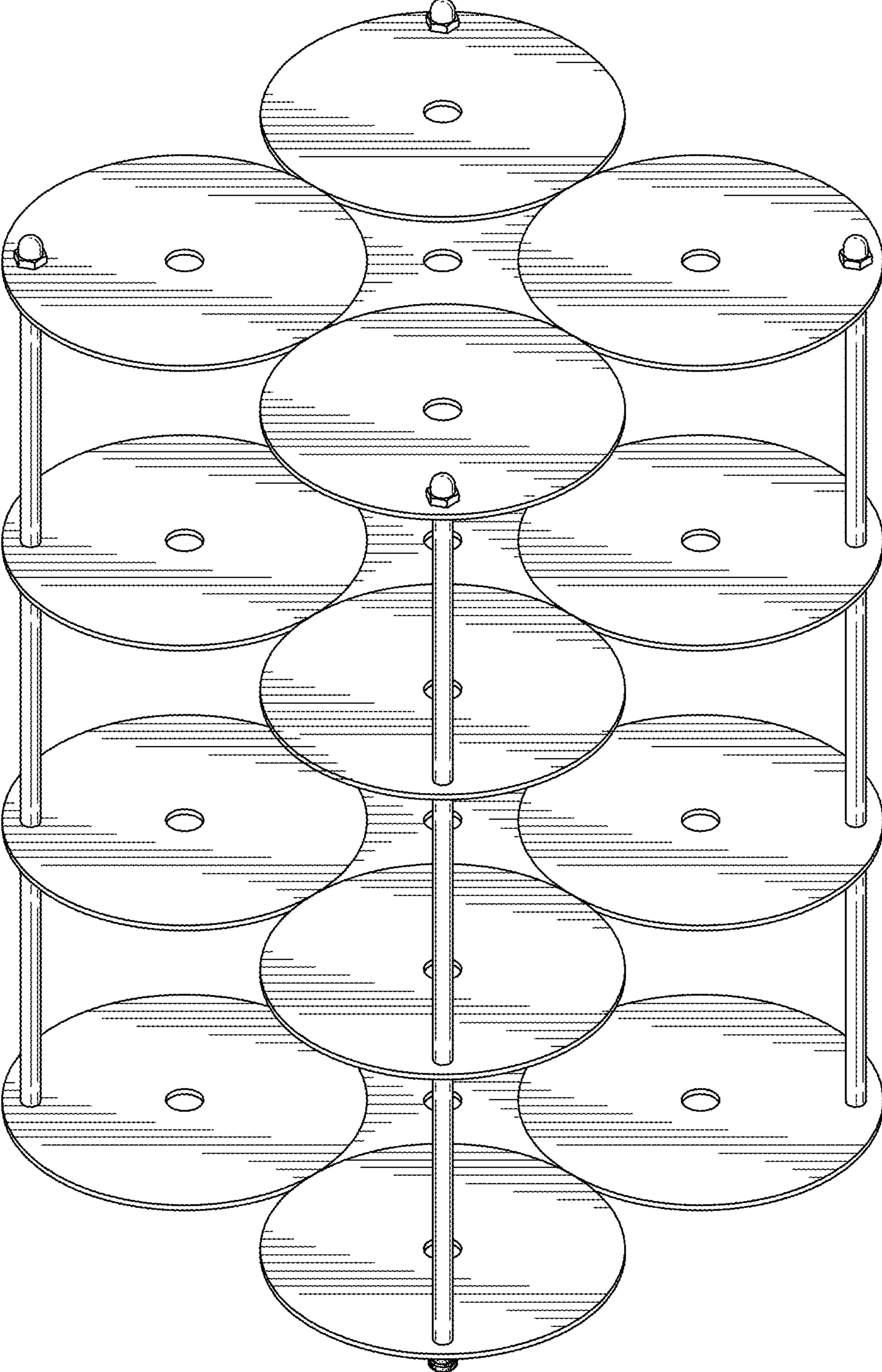


FIG. 1

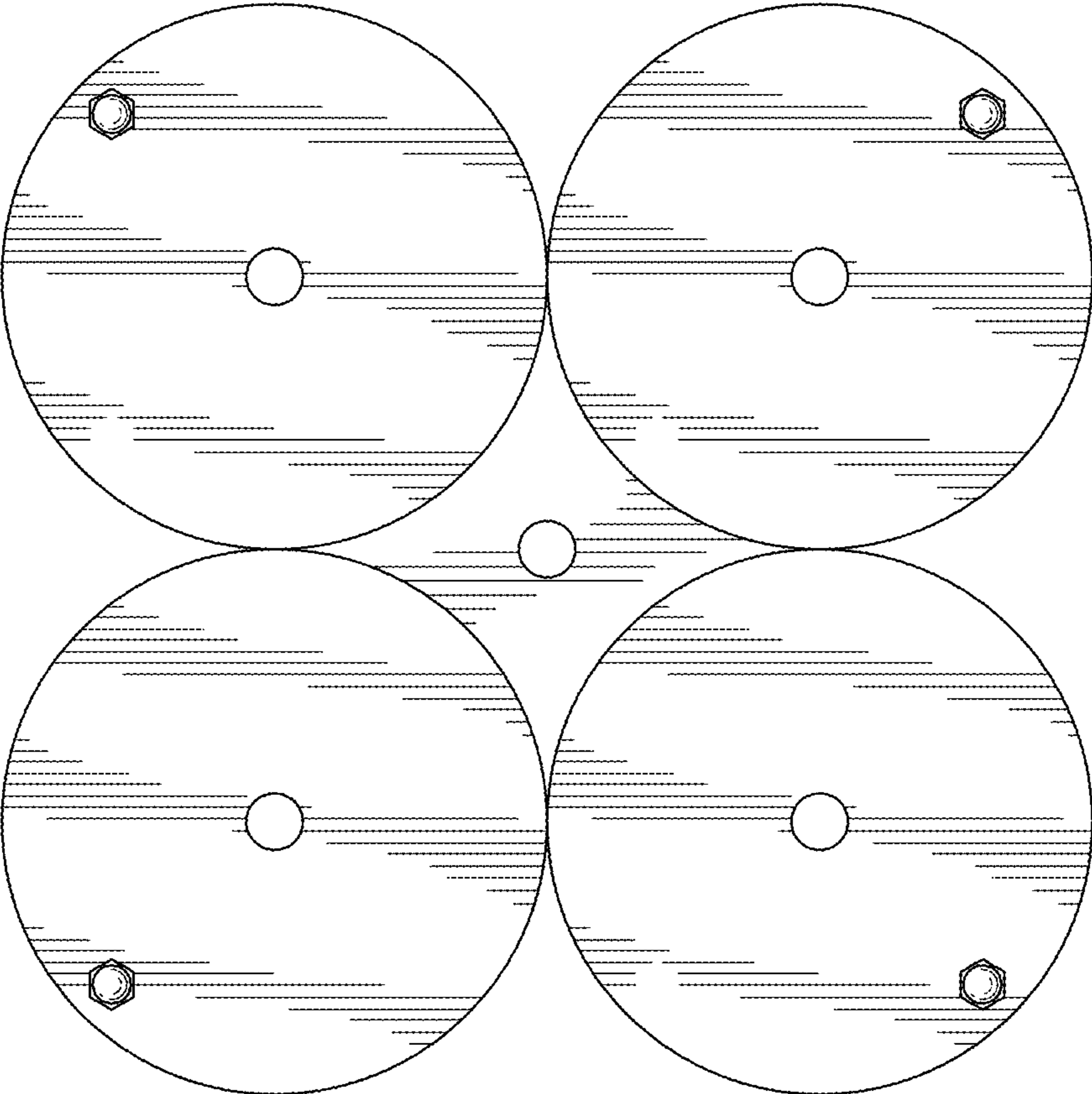


FIG. 2

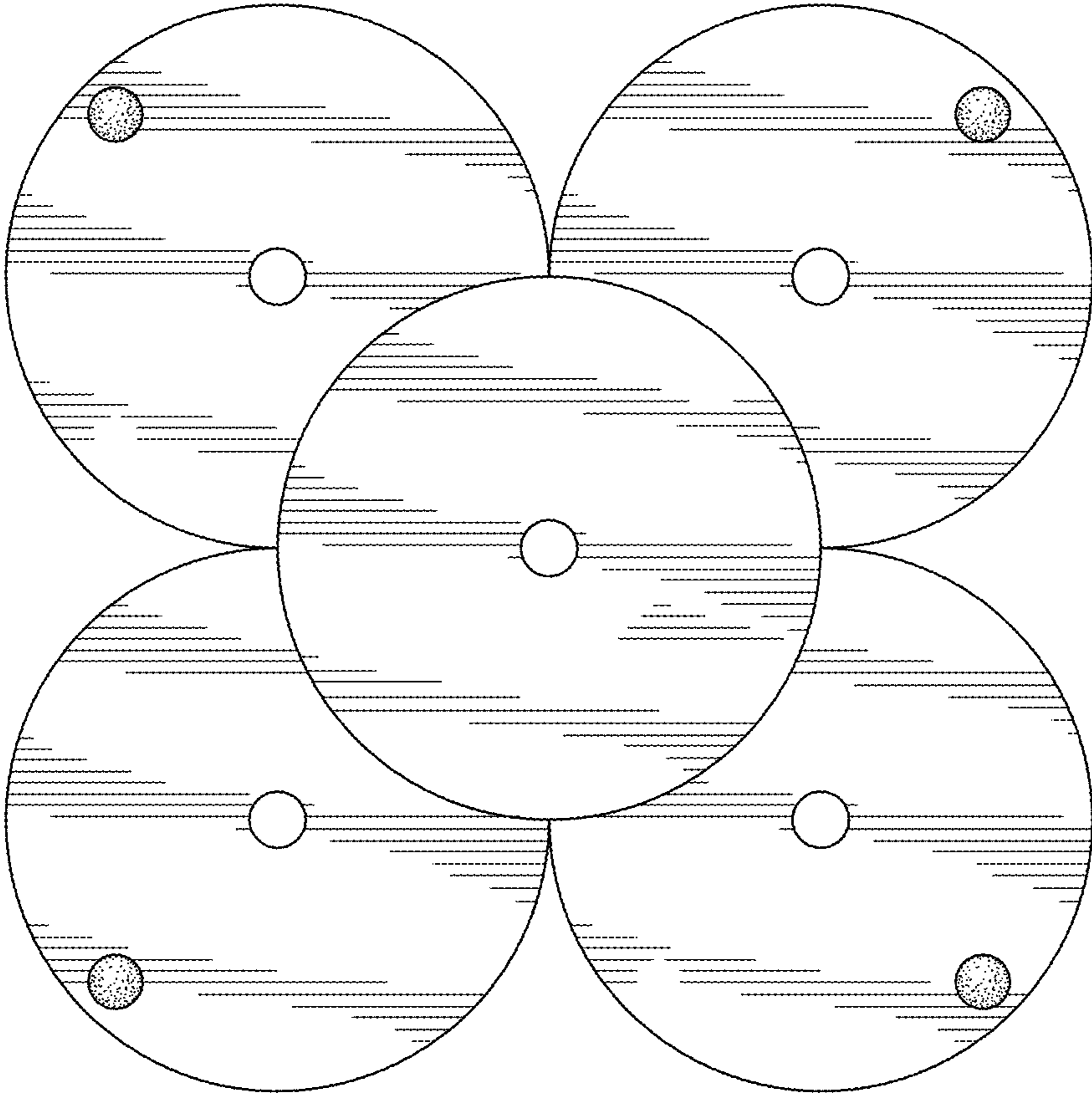


FIG. 3

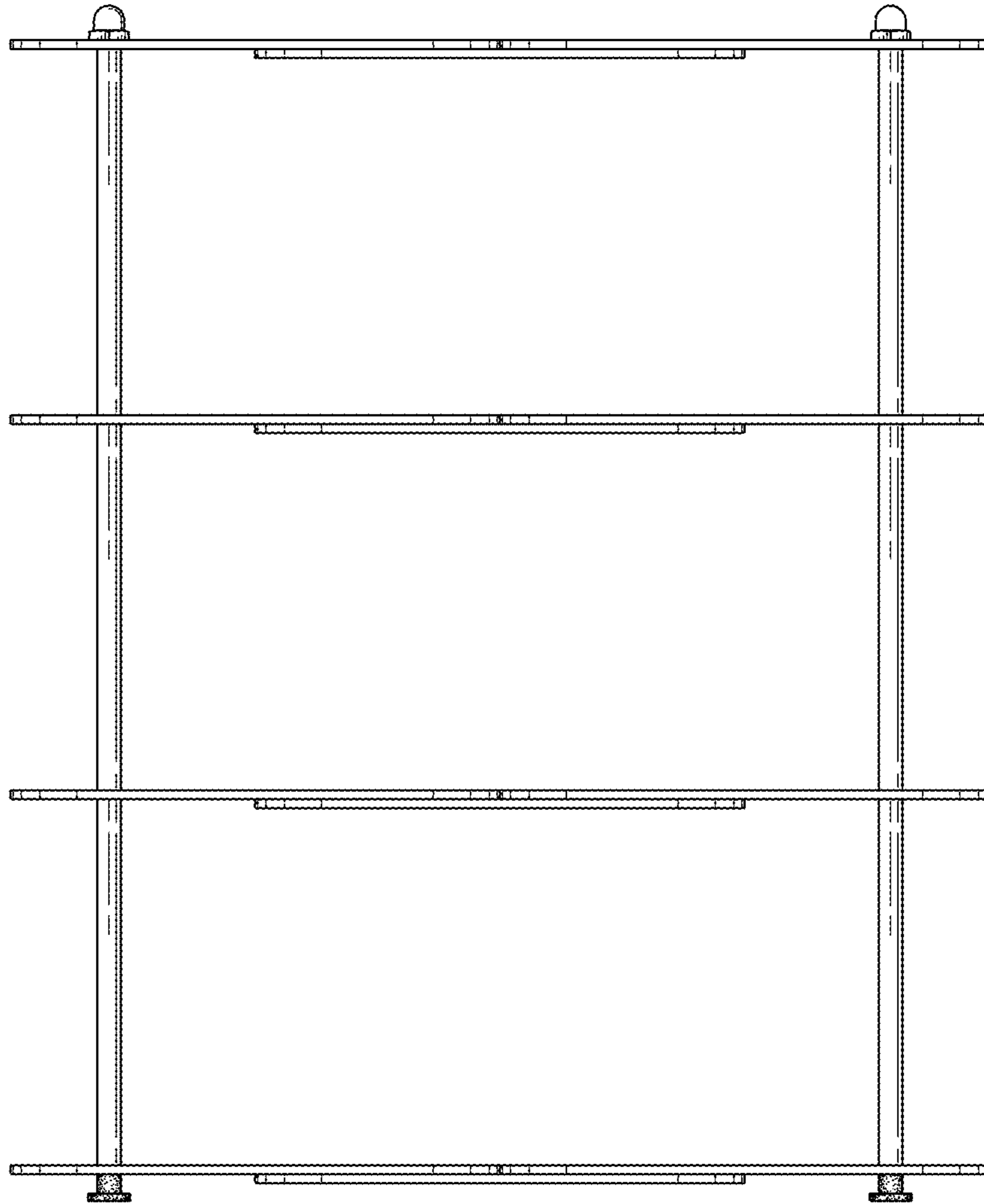


FIG. 4

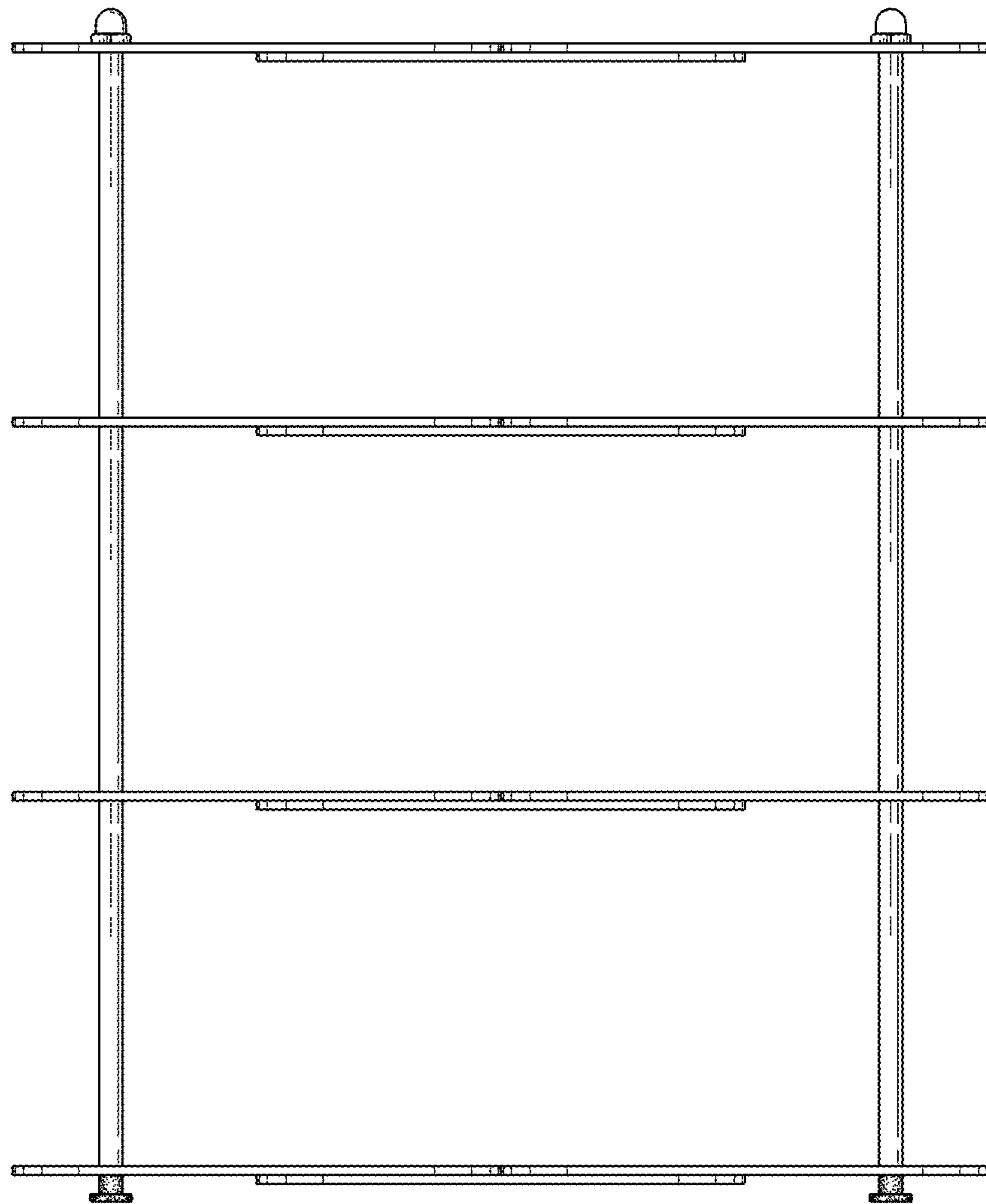


FIG. 5

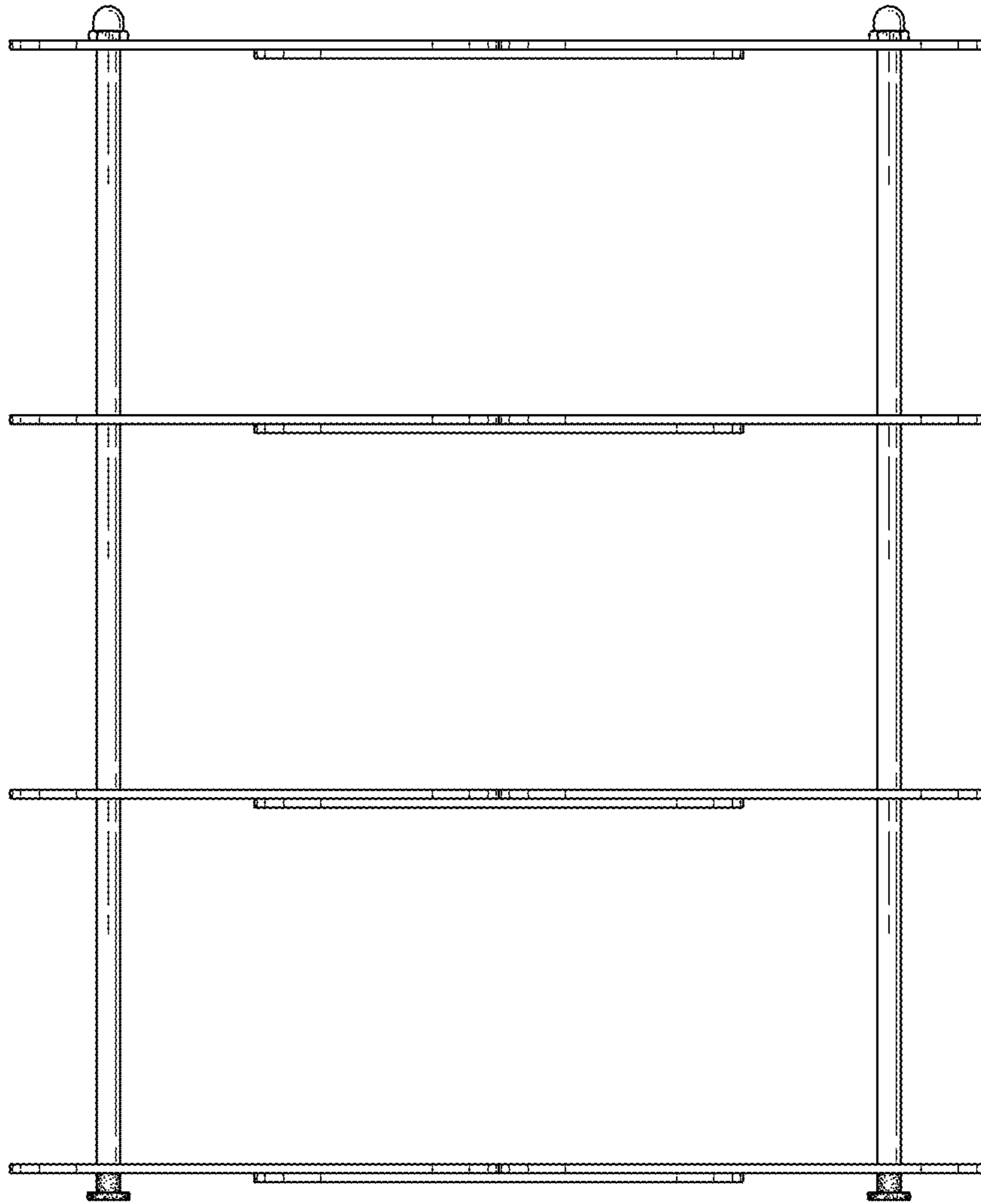


FIG. 6

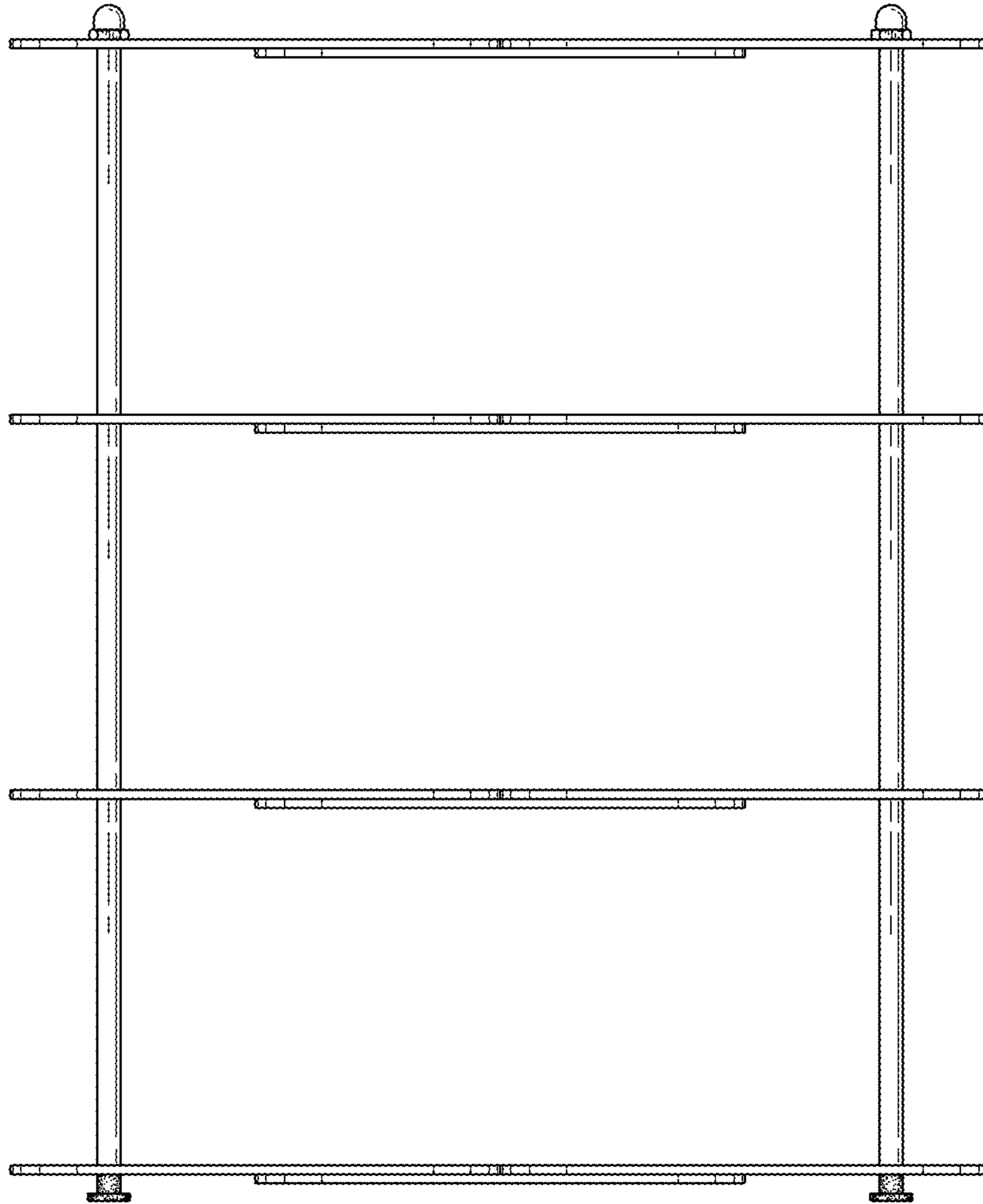


FIG. 7