



US00D751322S

(12) **United States Design Patent**
Reynolds

(10) **Patent No.:** **US D751,322 S**
(45) **Date of Patent:** **** Mar. 15, 2016**

(54) **PILLOW**

(71) Applicant: **Future Foam, Inc.**, Council Bluffs, IA
(US)
(72) Inventor: **Randy A. Reynolds**, Highpoint, NC
(US)

(73) Assignee: **Future Foam, Inc.**, Council Bluffs, IA
(US)

(**) Term: **15 Years**
(21) Appl. No.: **29/536,209**
(22) Filed: **Aug. 14, 2015**

Related U.S. Application Data

(62) Division of application No. 29/467,624, filed on Sep. 20, 2013, now Pat. No. Des. 738,644.

(51) **LOC (10) Cl.** **06-09**

(52) **U.S. Cl.**
USPC **D6/601**

(58) **Field of Classification Search**

USPC D06/595-601, 604, 605; D21/803, 809;
D24/183, 190-193; 5/420, 630-651,
5/652, 655.3, 655.9, 656, 706, 710,
5/690-692, 900, 902, 910, 922, 928-930,
5/932, 935, 948, 953; 128/202.18;
441/40, 66, 80-81, 127; D7/553.2,
D7/553.5
CPC A47G 9/10; A47G 9/1009; A47G
2009/1018; A47G 9/1027; A47G 9/1036;
A47G 9/1045; A47G 9/1063; A47G 9/1072;
A47G 9/1081; A47G 9/109

See application file for complete search history.

(56) **References Cited**

U.S. PATENT DOCUMENTS

3,698,335 A 10/1972 Forrester et al.
3,828,378 A 8/1974 Flam

(Continued)

FOREIGN PATENT DOCUMENTS

EP 0367607 A1 5/1990
EP 0697828 2/1996

(Continued)

OTHER PUBLICATIONS

Louisville Bedding Company; "Foam Products"; <http://www.loubed.com/products/foam-products/>; Sep. 17, 2013; 1 page.

(Continued)

Primary Examiner — Rosemary K Tarcza

Assistant Examiner — Nathaniel D Buckner

(74) *Attorney, Agent, or Firm* — Conley Rose, P.C.; Kristin Jordan Harkins

(57) **CLAIM**

The ornamental design for a pillow, as shown and described.

DESCRIPTION

FIG. 1 is a perspective view of a pillow in accordance with the new design, showing an embodiment of the design with respect to an exemplary king size pillow;

FIG. 2 is a top plan view of the pillow of FIG. 1;

FIG. 3 is a bottom plan view of the pillow of FIG. 1;

FIG. 4 is a front elevation view of the pillow of FIG. 1;

FIG. 5 is a rear elevation view of the pillow of FIG. 1;

FIG. 6 is a side elevation view of the pillow of FIG. 1;

FIG. 7 is an opposite side elevation view of the pillow of FIG. 1, for the side opposite that of FIG. 6;

FIG. 8 is a perspective view of a pillow in accordance with the new design, showing an embodiment of the design with respect to an exemplary standard size pillow;

FIG. 9 is a top plan view of the pillow of FIG. 8;

FIG. 10 is a bottom plan view of the pillow of FIG. 8;

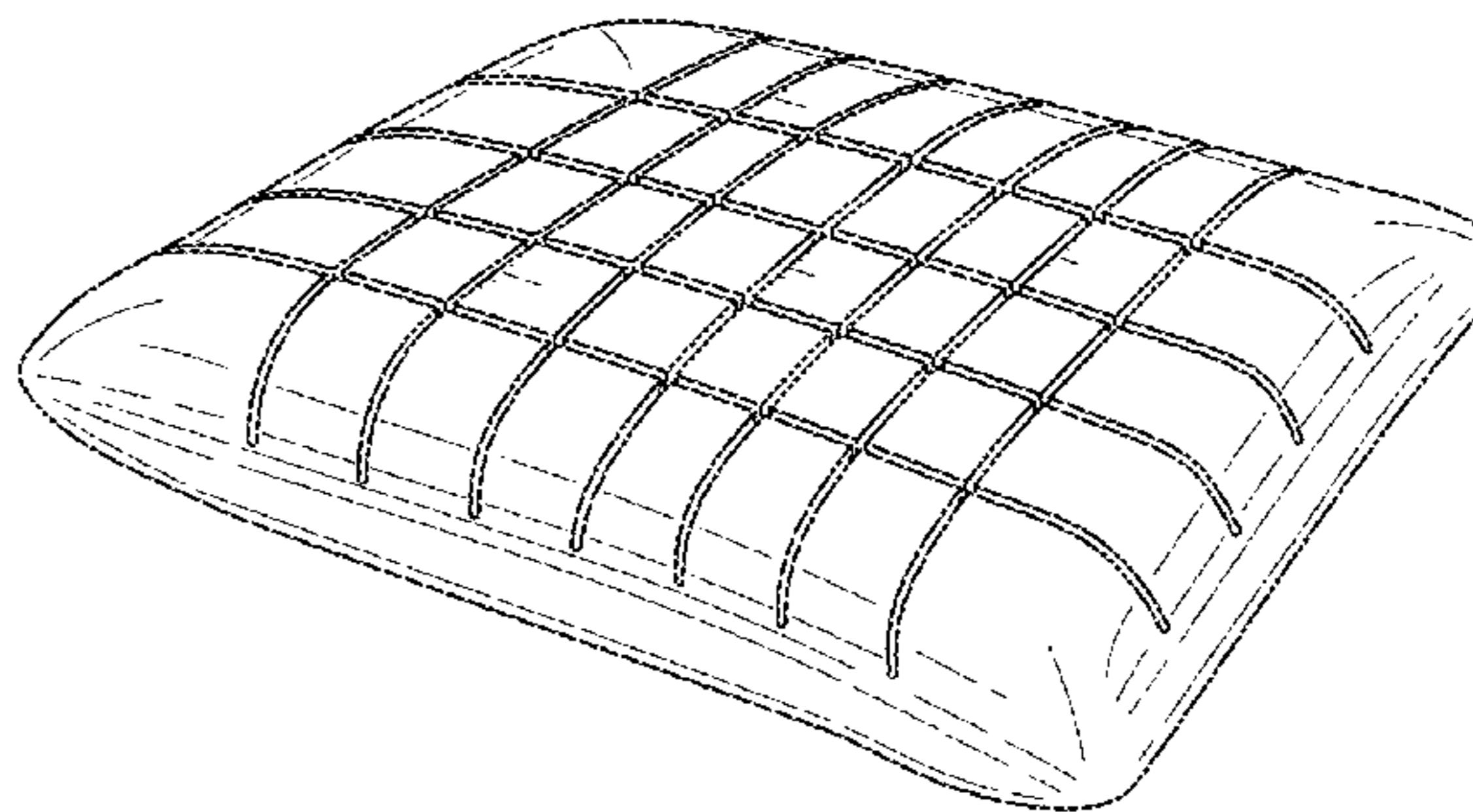
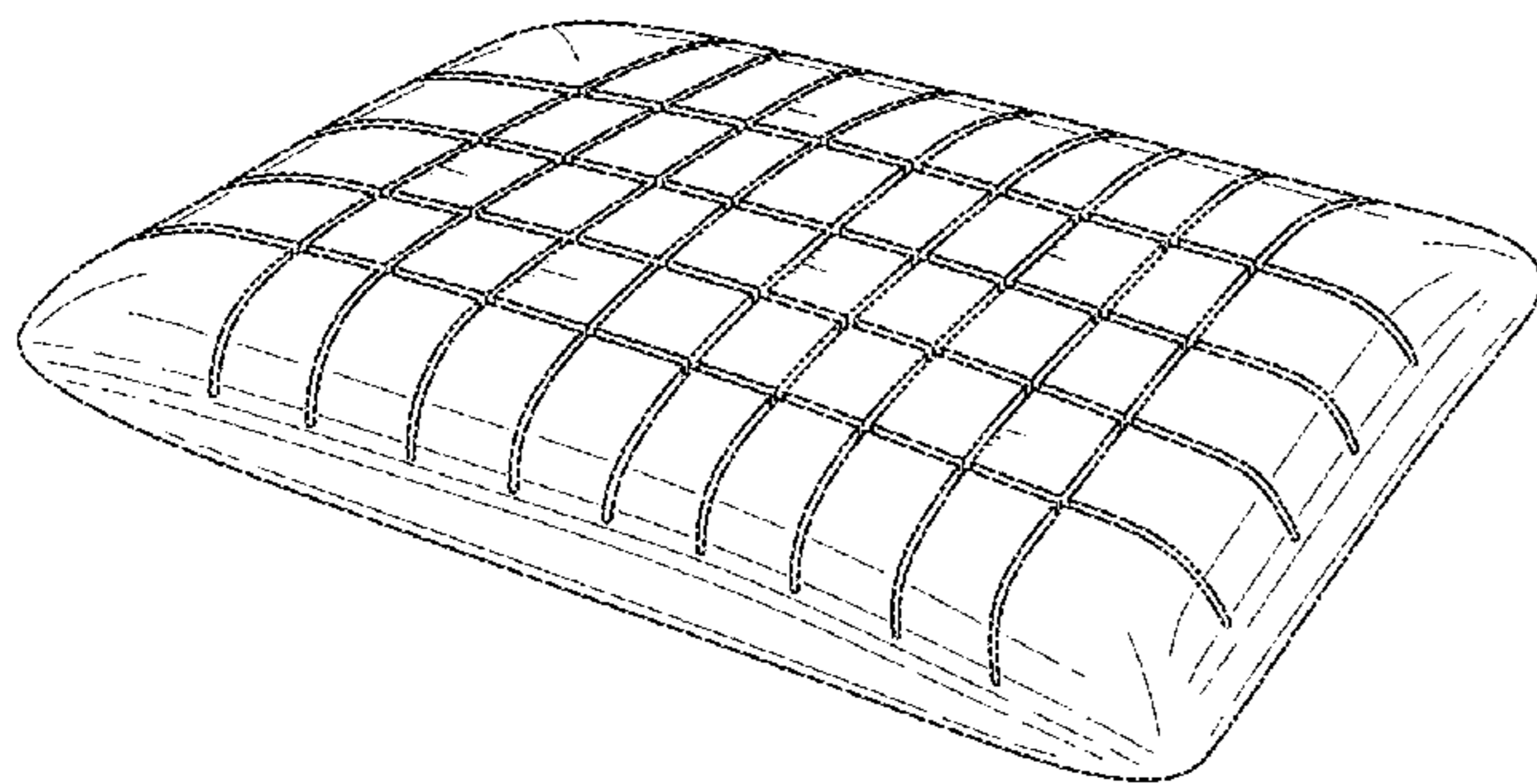
FIG. 11 is a front elevation view of the pillow of FIG. 8;

FIG. 12 is a rear elevation view of the pillow of FIG. 8;

FIG. 13 is a side elevation view of the pillow of FIG. 8; and,

FIG. 14 is an opposite side elevation view of the pillow of FIG. 8, for the side opposite that of FIG. 13.

1 Claim, 8 Drawing Sheets



(56)

References Cited

U.S. PATENT DOCUMENTS

4,018,175 A 4/1977 Forrester et al.
 4,061,096 A 12/1977 Elsas
 4,157,688 A 6/1979 Forrester
 4,673,452 A 6/1987 Awdhan
 5,007,124 A 4/1991 Raburn et al.
 5,249,322 A 10/1993 Seago
 5,271,112 A 12/1993 Bible et al.
 D345,072 S 3/1994 Rose et al.
 5,459,896 A 10/1995 Raburn et al.
 D364,986 S 12/1995 Launder et al.
 5,527,172 A 6/1996 Graham, Jr.
 5,537,703 A 7/1996 Launder et al.
 D382,163 S 8/1997 Hartney
 D383,349 S 9/1997 Stellman et al.
 5,678,266 A 10/1997 Petringa et al.
 D389,702 S 1/1998 Faist et al.
 5,724,687 A 3/1998 Kim
 D394,578 S 5/1998 Raburn
 D399,694 S 10/1998 Laidlaw
 D403,193 S 12/1998 Felter, Jr. et al.
 5,960,497 A 10/1999 Castellino
 5,987,668 A 11/1999 Ackley
 D433,861 S 11/2000 Rose et al.
 6,234,777 B1 5/2001 Sperry et al.
 D446,071 S 8/2001 Hawkins et al.
 D456,197 S 4/2002 McClure et al.
 6,460,209 B1 10/2002 Reeder et al.
 RE38,135 E 6/2003 Stolpmann et al.
 D497,761 S 11/2004 Martin
 D506,098 S 6/2005 Martin et al.
 D529,326 S 10/2006 Martin et al.
 D529,327 S 10/2006 Martin et al.
 D617,131 S 6/2010 Sprouse, II
 7,886,388 B2 2/2011 Warren et al.
 8,359,689 B2 1/2013 Warren et al.
 9,021,638 B2 * 5/2015 Misaki A61G 7/05769
 5/710
 9,032,571 B2 * 5/2015 Rancourt A47C 23/002
 5/652

D731,209 S * 6/2015 Fux D6/601
 D731,248 S * 6/2015 Breton D7/553.2
 D737,074 S * 8/2015 Sobran D6/601
 D738,644 S * 9/2015 Reynolds D6/601
 2004/0019972 A1 2/2004 Schecter et al.
 2004/0070254 A1 4/2004 Conlon et al.
 2006/0100295 A1 5/2006 Herald et al.
 2006/0248652 A1 11/2006 Alonso Cucurull
 2008/0028529 A1 2/2008 Abell
 2008/0097779 A1 4/2008 Rawls-Meehan
 2008/0235877 A1 10/2008 Murray et al.
 2009/0235624 A1 9/2009 Mater et al.
 2010/0269262 A1 10/2010 Warren et al.
 2011/0047708 A1 3/2011 Rensink et al.
 2011/0067183 A1 3/2011 Hawkins
 2012/0284927 A1 11/2012 Moret et al.
 2013/0025069 A1 1/2013 Ruehmann et al.
 2013/0043628 A1 2/2013 Pearce et al.
 2013/0152305 A1 6/2013 Lall

FOREIGN PATENT DOCUMENTS

EP 0731823 9/1996
 EP 1692975 A1 8/2006
 EP 1806073 A1 7/2007
 WO 9112754 9/1991
 WO 9906196 2/1999
 WO 9958324 11/1999
 WO 2008042082 A2 4/2008
 WO 2008048743 A2 4/2008
 WO 2011034800 A2 3/2011
 WO 2012155132 A1 11/2012

OTHER PUBLICATIONS

Louisville Bedding Company; "Construction—Foam"; <http://www.loubed.com/products/construction/foam/>; Sep. 17, 2013; 1 page.
 Louisville Bedding Company; "Shapes & Cuts"; <http://www.loubed.com/innovation/components/foam-logic/design-cuts/>; Sep. 17, 2013; 1 page.

* cited by examiner

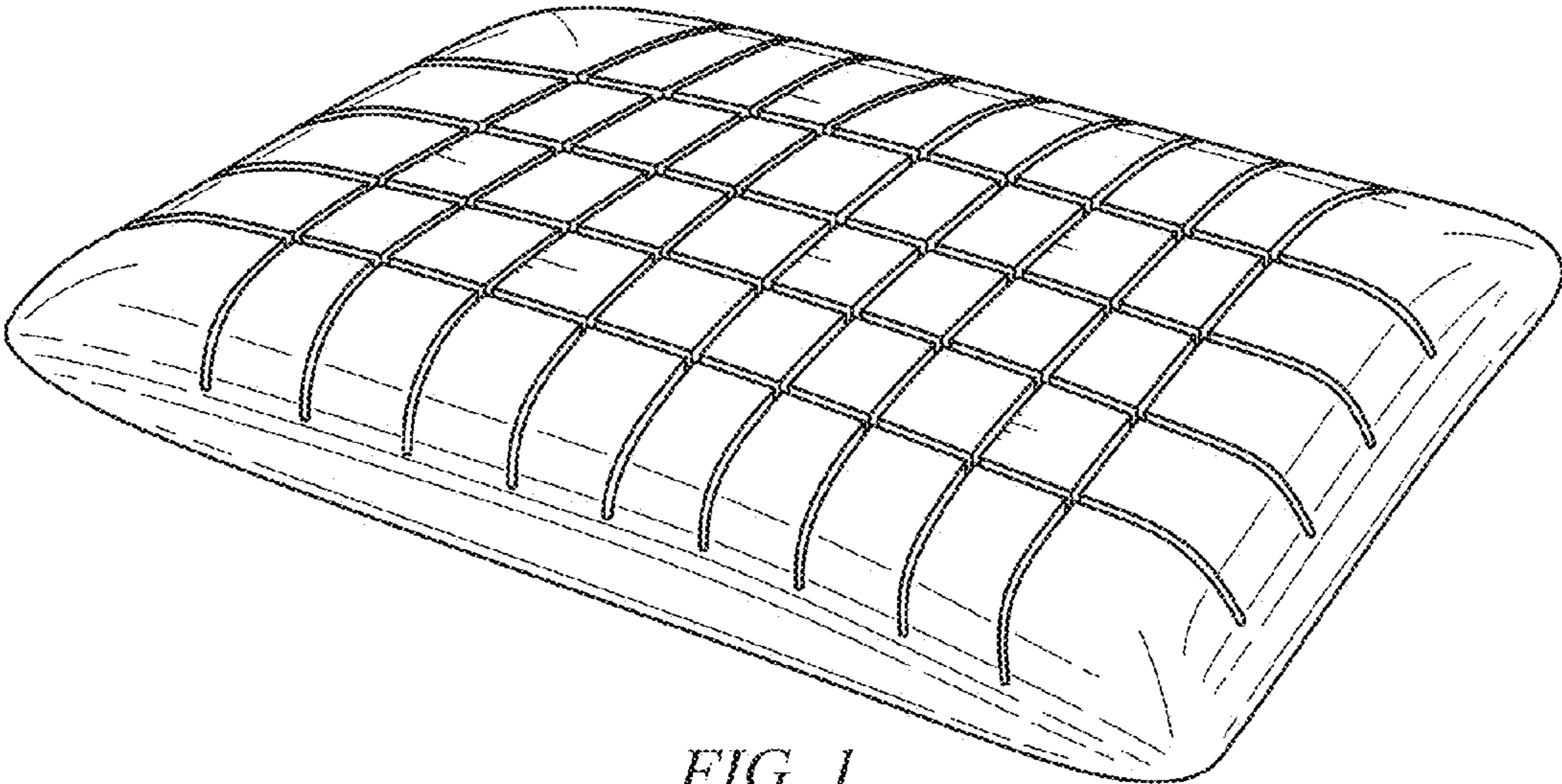


FIG. 1

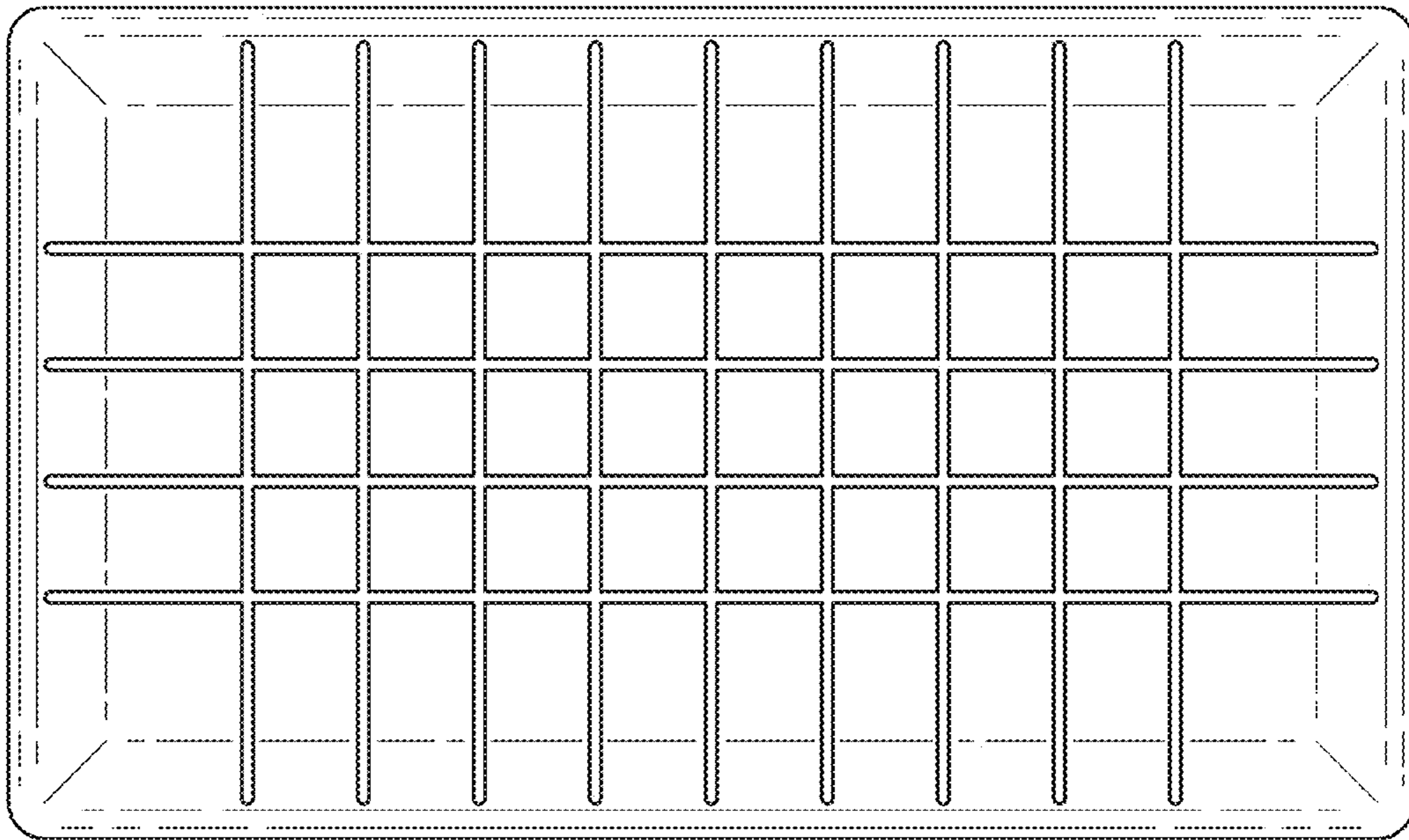


FIG. 2

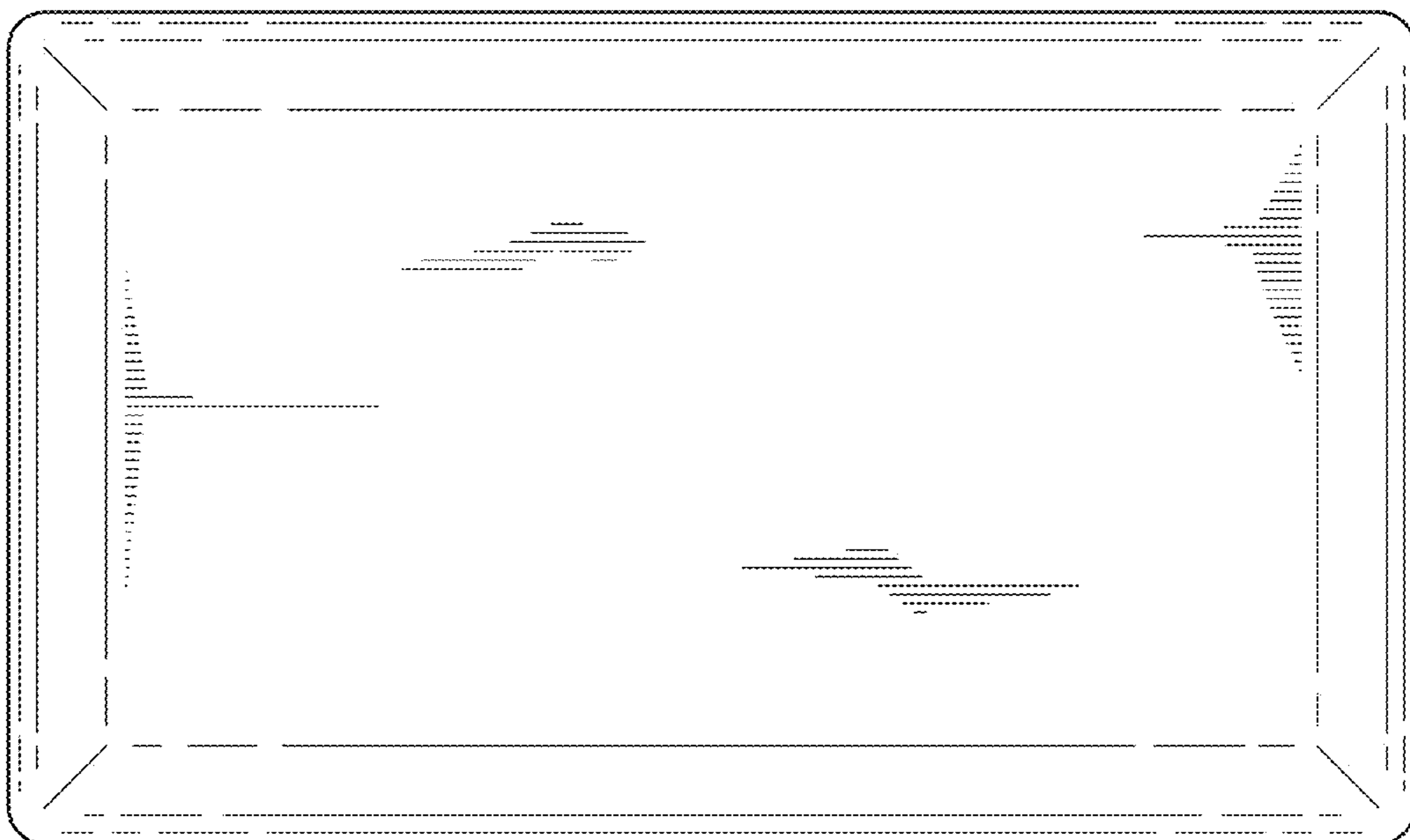


FIG. 3

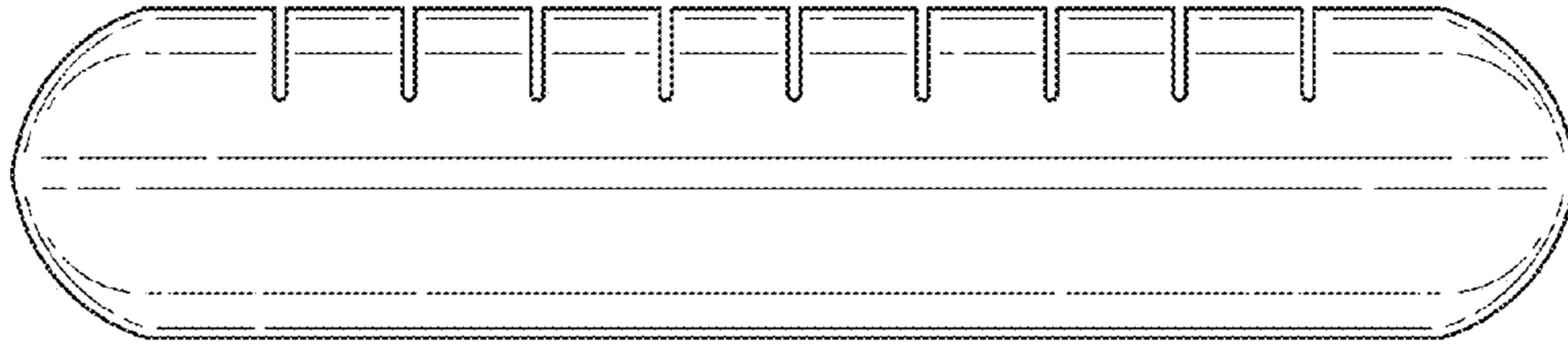


FIG. 4

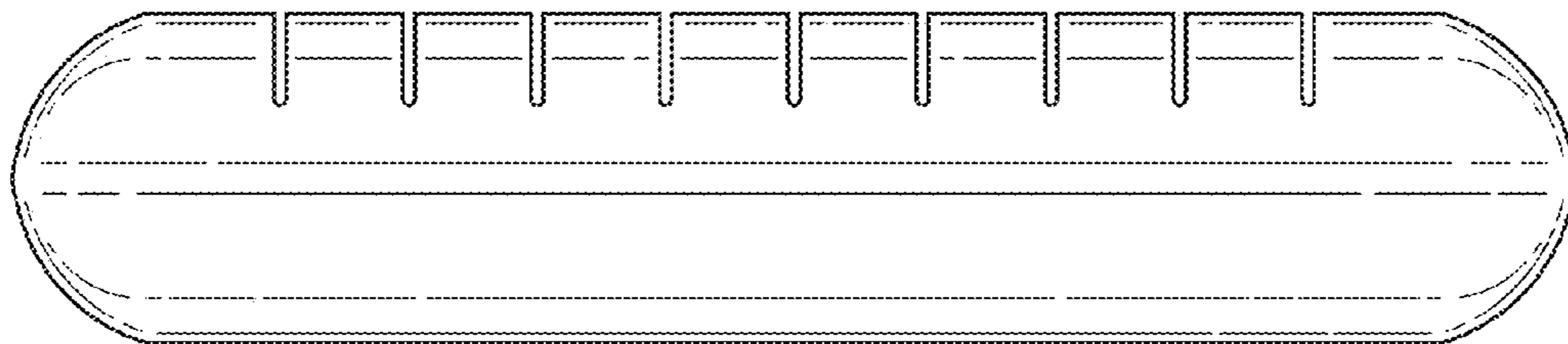


FIG. 5

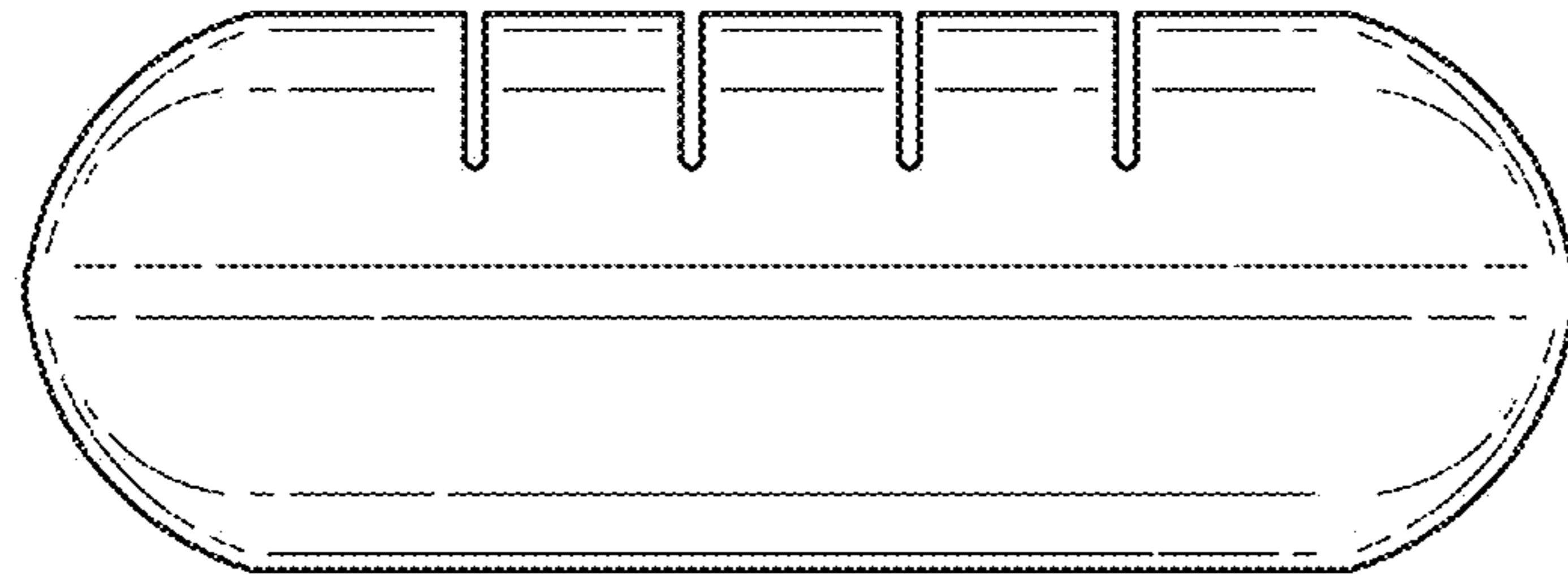


FIG. 6

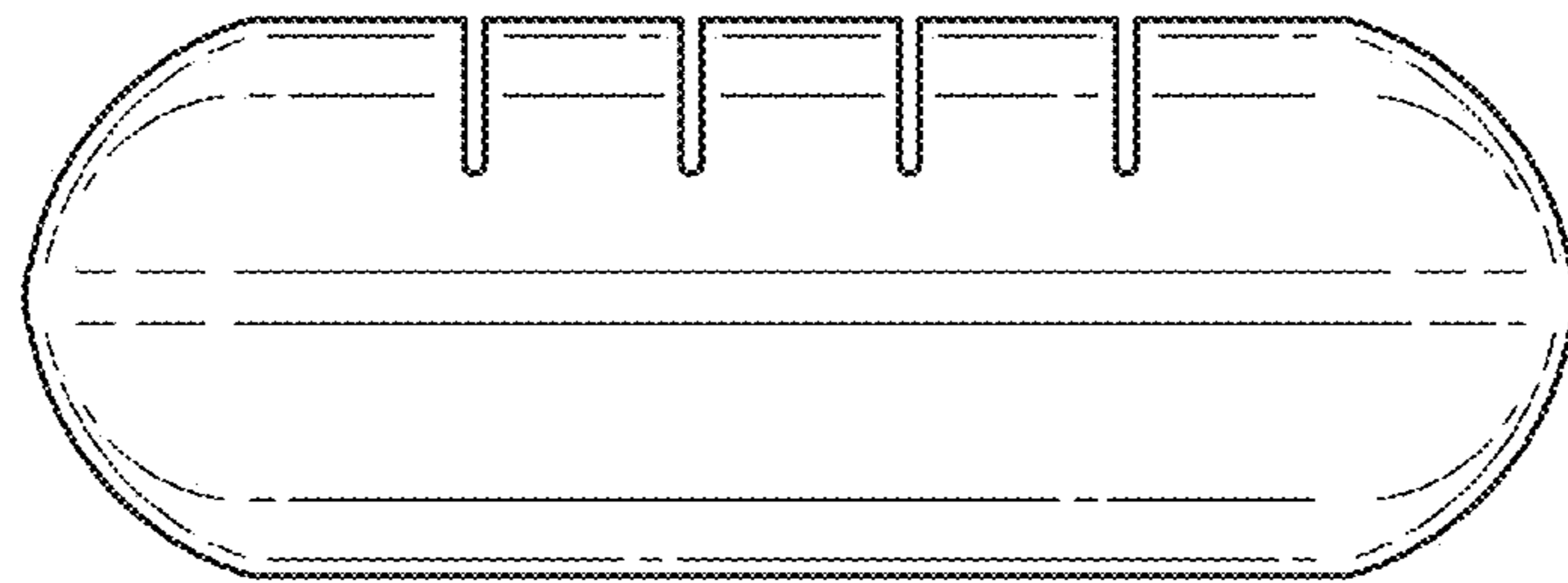


FIG. 7

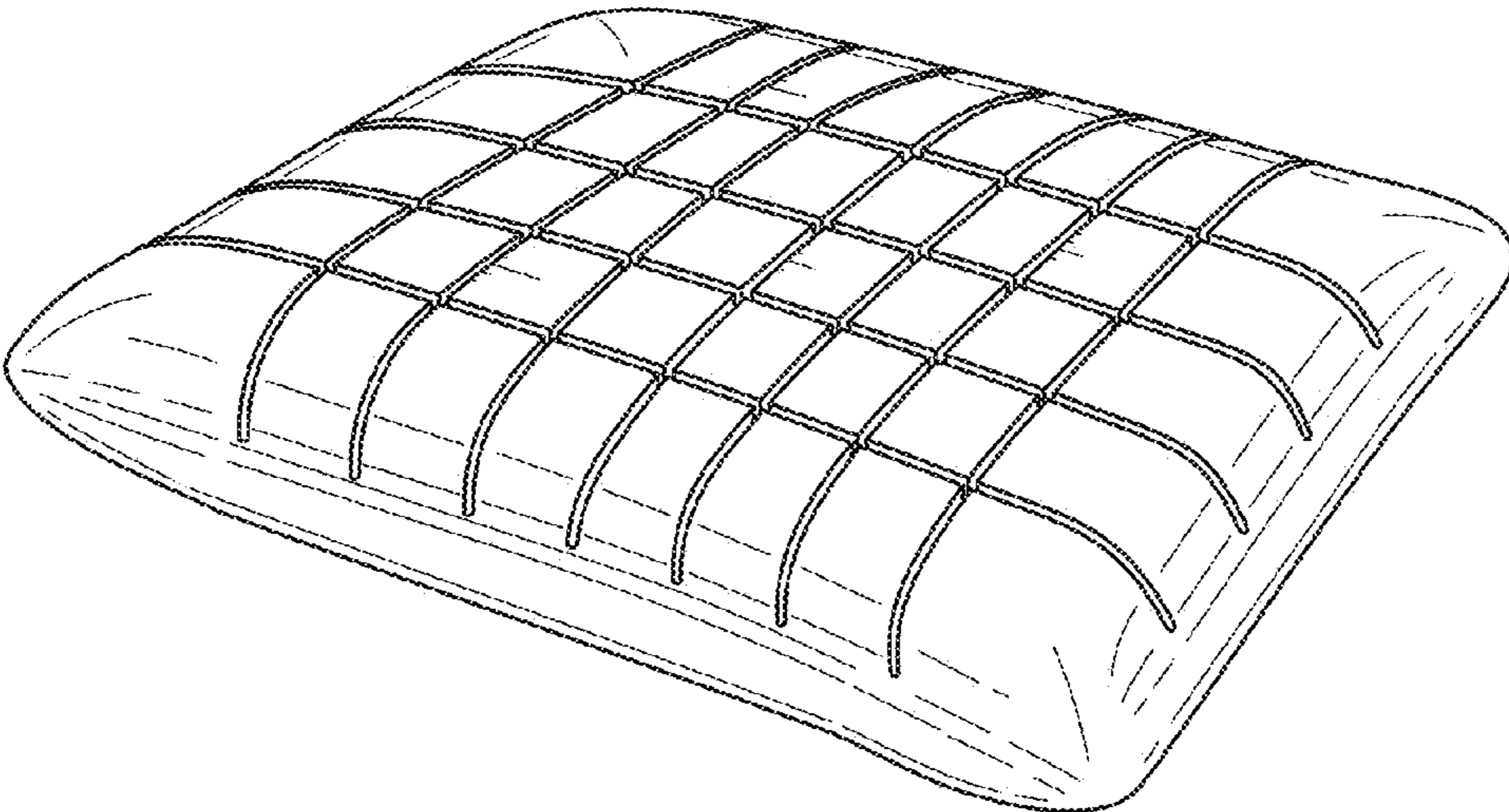


FIG. 8

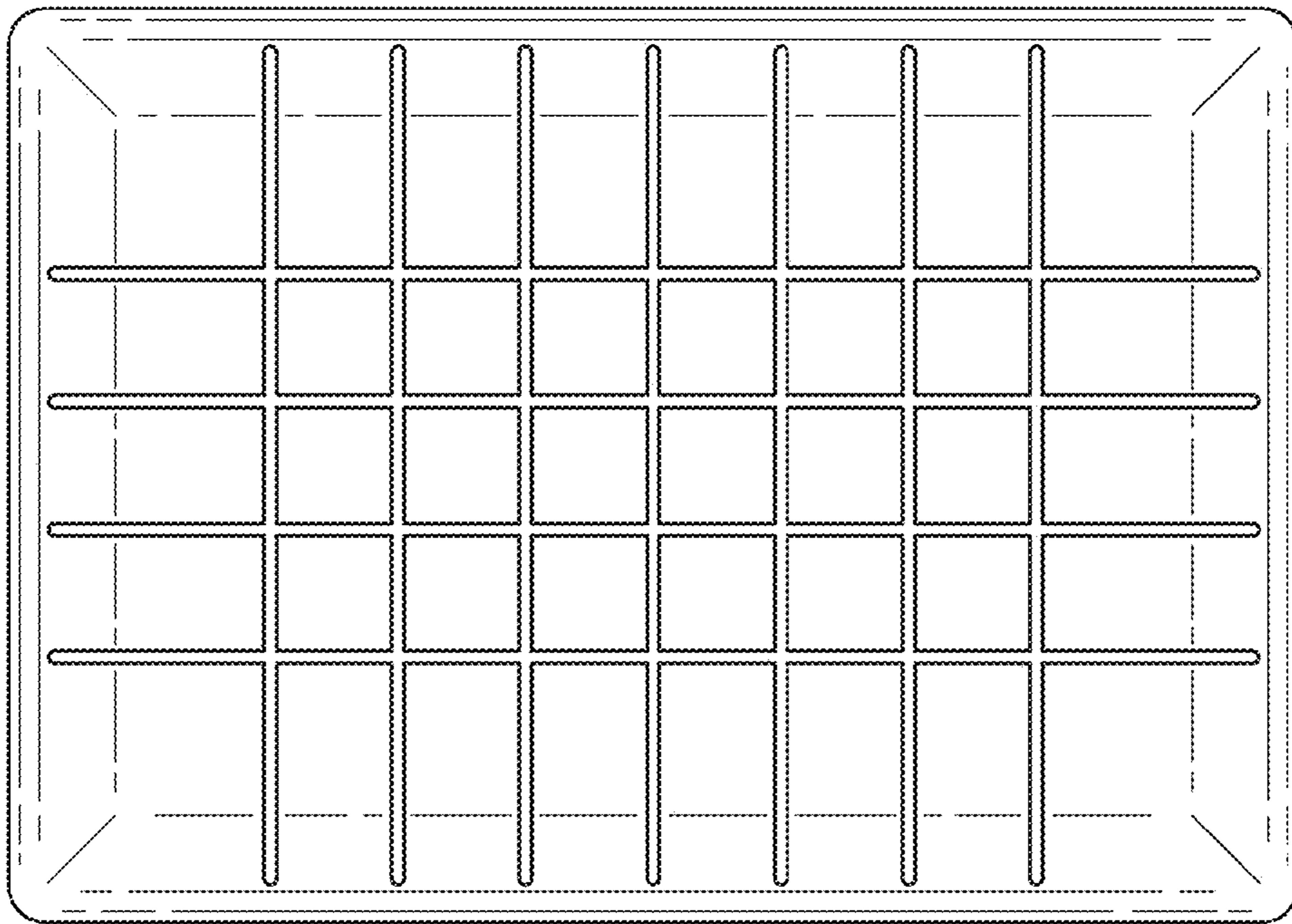


FIG. 9

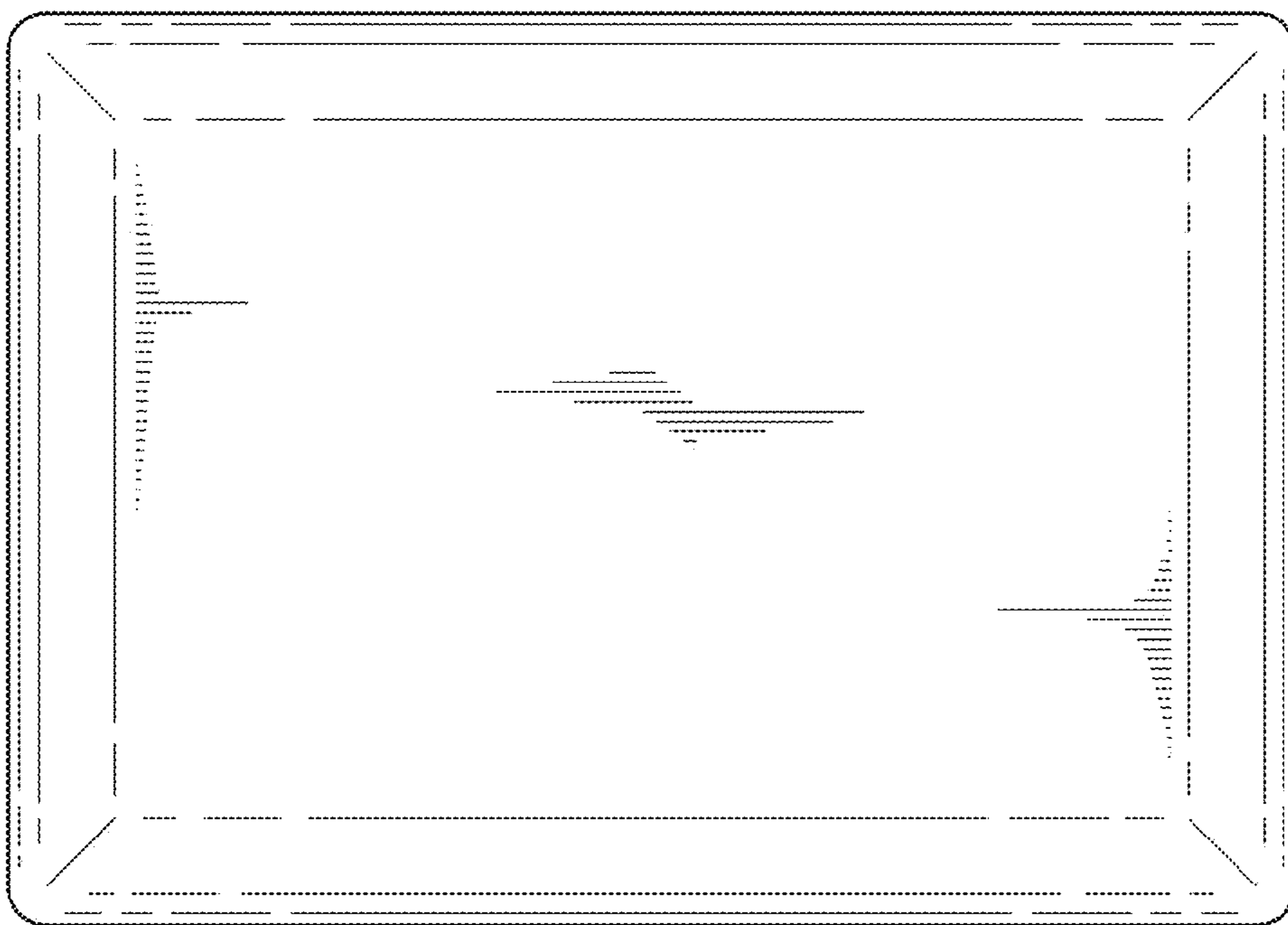


FIG. 10

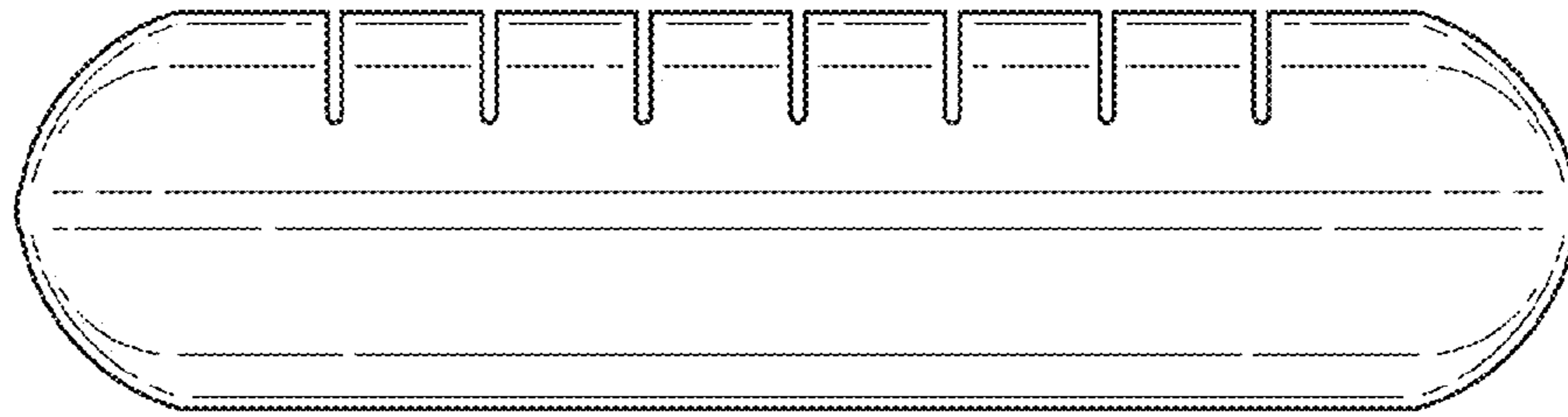


FIG. 11

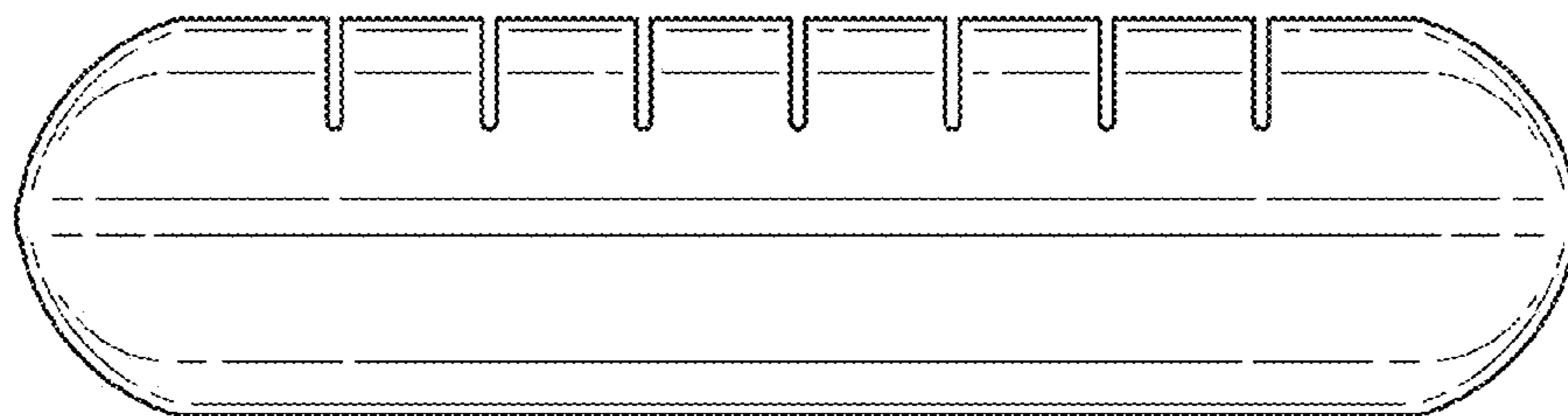


FIG. 12

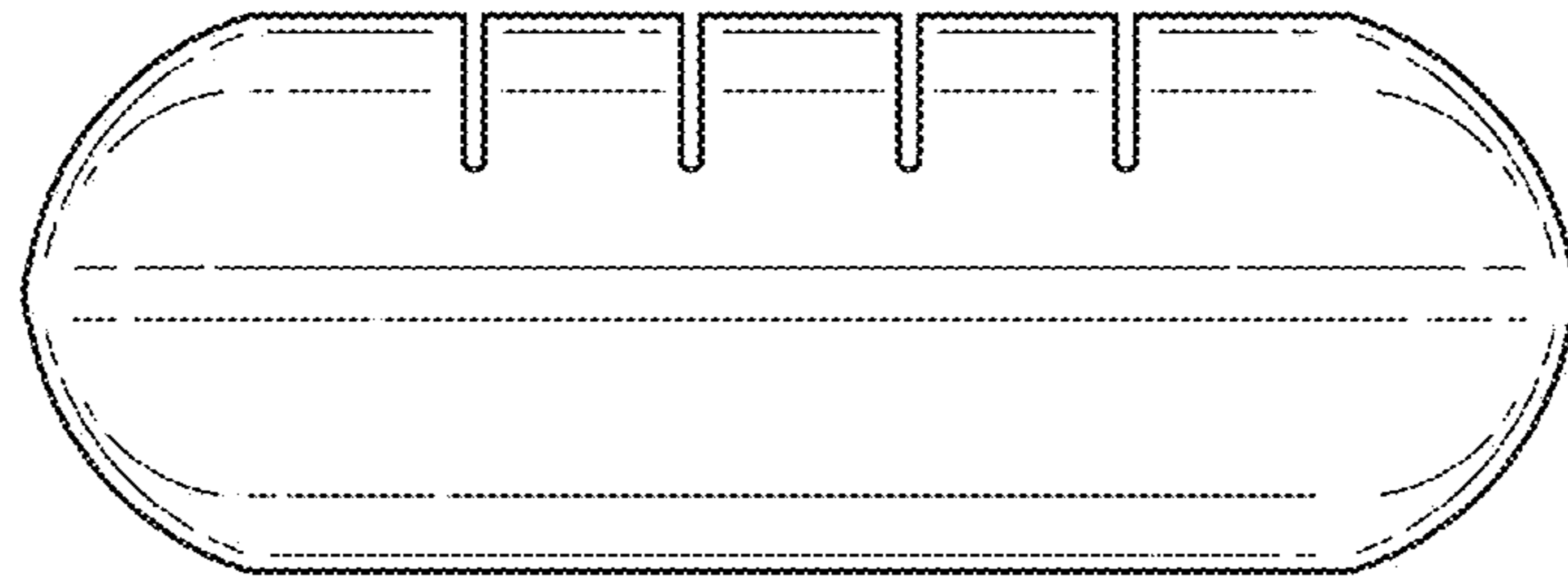


FIG. 13

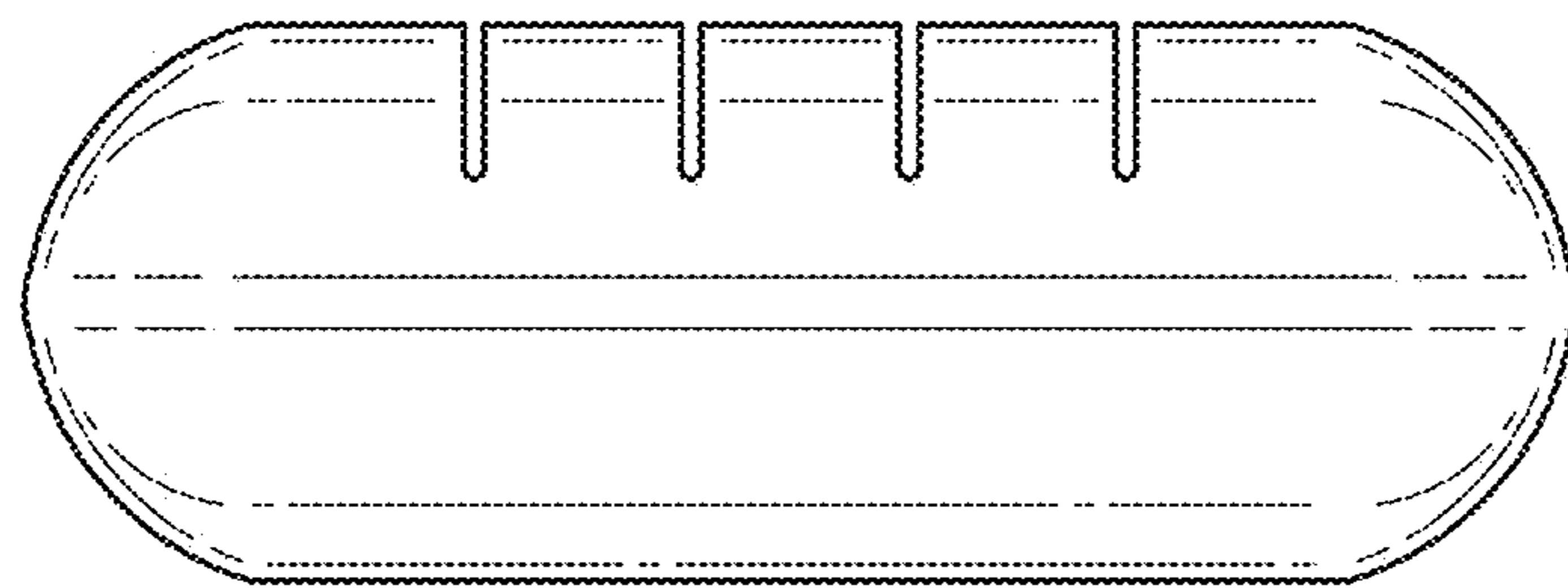


FIG. 14

UNITED STATES PATENT AND TRADEMARK OFFICE
CERTIFICATE OF CORRECTION

PATENT NO. : D751,322 S
APPLICATION NO. : 29/536209
DATED : March 15, 2016
INVENTOR(S) : Randy A. Reynolds

Page 1 of 1

It is certified that error appears in the above-identified patent and that said Letters Patent is hereby corrected as shown below:

On the Title Page

Claim:

Lines 19, 23, 26, 27, 28, 29, 30, 31, 33, 36, 37, 38, 39, 40 and 41 – “pillow” should be “Pillow”

Signed and Sealed this
Nineteenth Day of September, 2017



Joseph Matal
*Performing the Functions and Duties of the
Under Secretary of Commerce for Intellectual Property and
Director of the United States Patent and Trademark Office*