



US00D751318S

(12) **United States Design Patent**
Kraemer

(10) **Patent No.:** **US D751,318 S**

(45) **Date of Patent:** **** Mar. 15, 2016**

(54) **CADDY**

(71) Applicant: **InterDesign, Inc.**, Solon, OH (US)

(72) Inventor: **Kevin Francis Kraemer**, Cuyahoga Falls, OH (US)

(73) Assignee: **InterDesign, Inc.**, Solon, OH (US)

(**) Term: **14 Years**

(21) Appl. No.: **29/471,492**

(22) Filed: **Nov. 1, 2013**

Related U.S. Application Data

(63) Continuation of application No. 29/411,666, filed on Jan. 25, 2012, now Pat. No. Des. 694,548.

(51) **LOC (10) Cl.** **06-06**

(52) **U.S. Cl.**
USPC **D6/525**

(58) **Field of Classification Search**
USPC D3/273, 296–298, 304, 307; D6/525, D6/657, 661–664, 671, 671.1, 671.2, 684, D6/691, 703, 705, 705.2, 705.4, 705.5; D15/89
CPC A47B 87/02; A47B 88/00; A47B 88/10; A47B 88/20; A47B 88/0003; A47B 88/0007; A47B 88/0014; A47B 88/0407; A47B 88/0044; A47B 88/044; A47B 88/047; A47B 88/04; A47B 88/0055; A47B 2088/0081; B65D 21/062; E05B 65/44; E05B 65/46; E05B 65/462

See application file for complete search history.

(56) **References Cited**

U.S. PATENT DOCUMENTS

3,375,953	A *	4/1968	Miller, Jr.	B65D 21/062 206/506
D495,532	S *	9/2004	Meissen	D3/307
D496,162	S *	9/2004	Garrett	D3/304
D591,315	S *	4/2009	Baacke	D15/89
D649,985	S *	12/2011	Jeon	D15/89
D657,562	S *	4/2012	McNamara	D3/304
D669,506	S *	10/2012	Czach	D15/89
D694,289	S *	11/2013	Hottmann	D15/89
D707,267	S *	6/2014	Choi	D15/89
D711,943	S *	8/2014	Park	D15/89
D734,784	S *	7/2015	Kim	D15/89

* cited by examiner

Primary Examiner — Ricky Pham

(74) *Attorney, Agent, or Firm* — Calfee Halter & Griswold, LLP

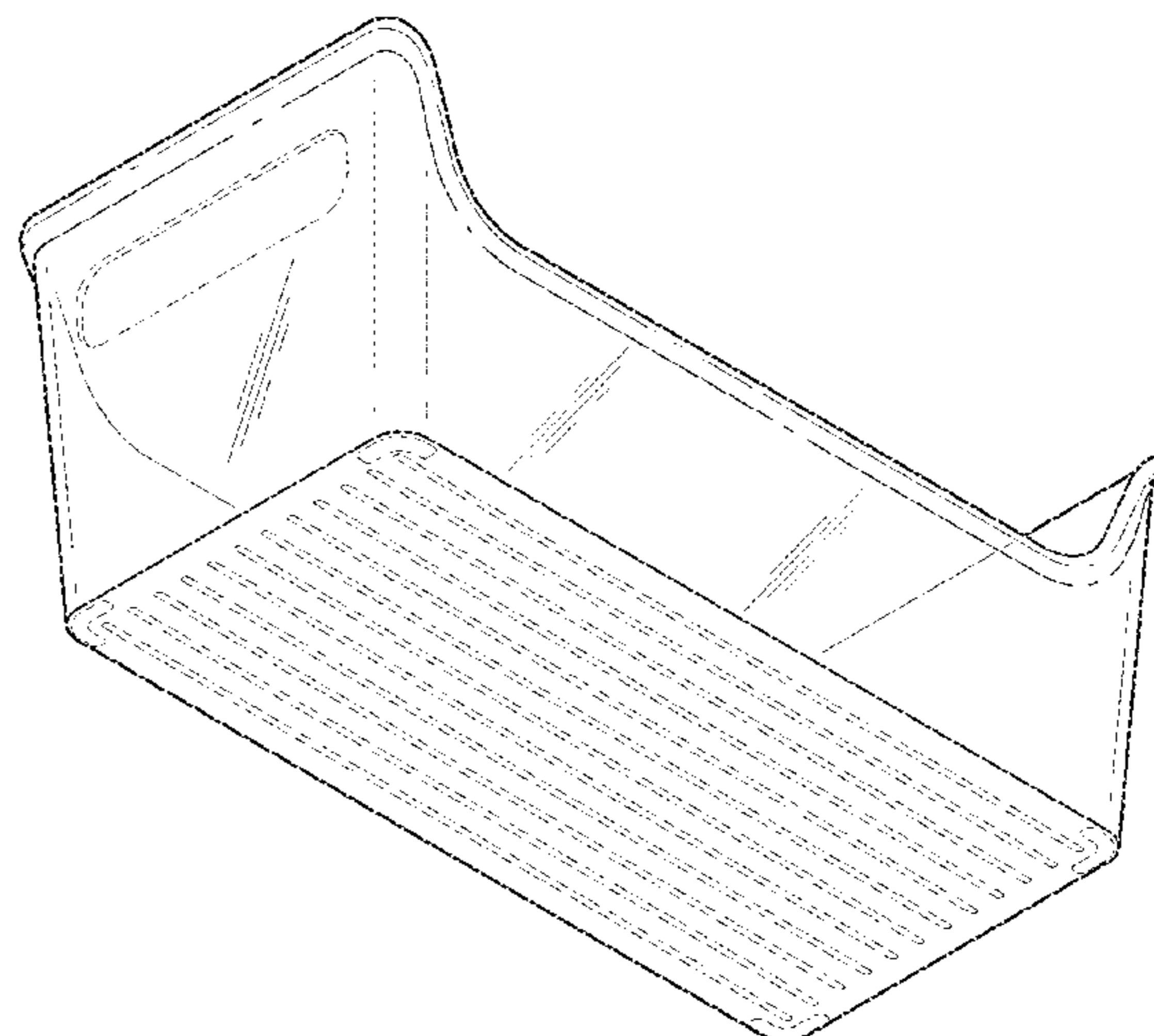
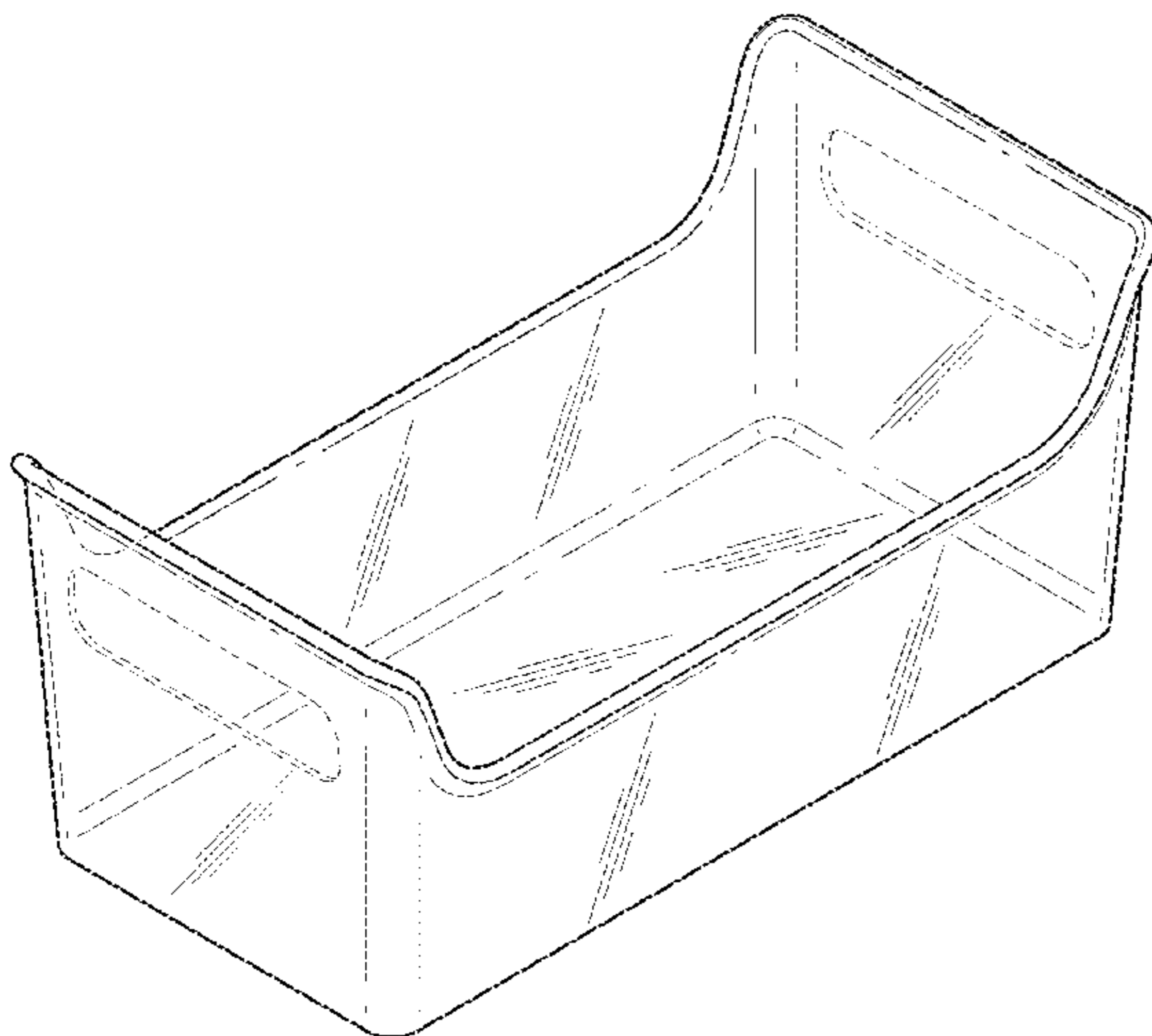
(57) **CLAIM**

I claim the ornamental design a caddy, as shown and described.

DESCRIPTION

FIG. 1 is a front/right/top perspective view of a caddy; FIG. 2 is a rear/left/bottom perspective view thereof; FIG. 3 is a front elevational view thereof (a rear elevational view would be a mirror image thereof); FIG. 4 is a right side elevational view thereof (a left side elevational view would be a mirror image thereof); FIG. 5 is a top plan view thereof; and, FIG. 6 is a bottom plan view thereof. The broken lines representing the bottom corner feet, the handle openings, and the longitudinal grooves in the bottom form no part of the present invention.

1 Claim, 5 Drawing Sheets



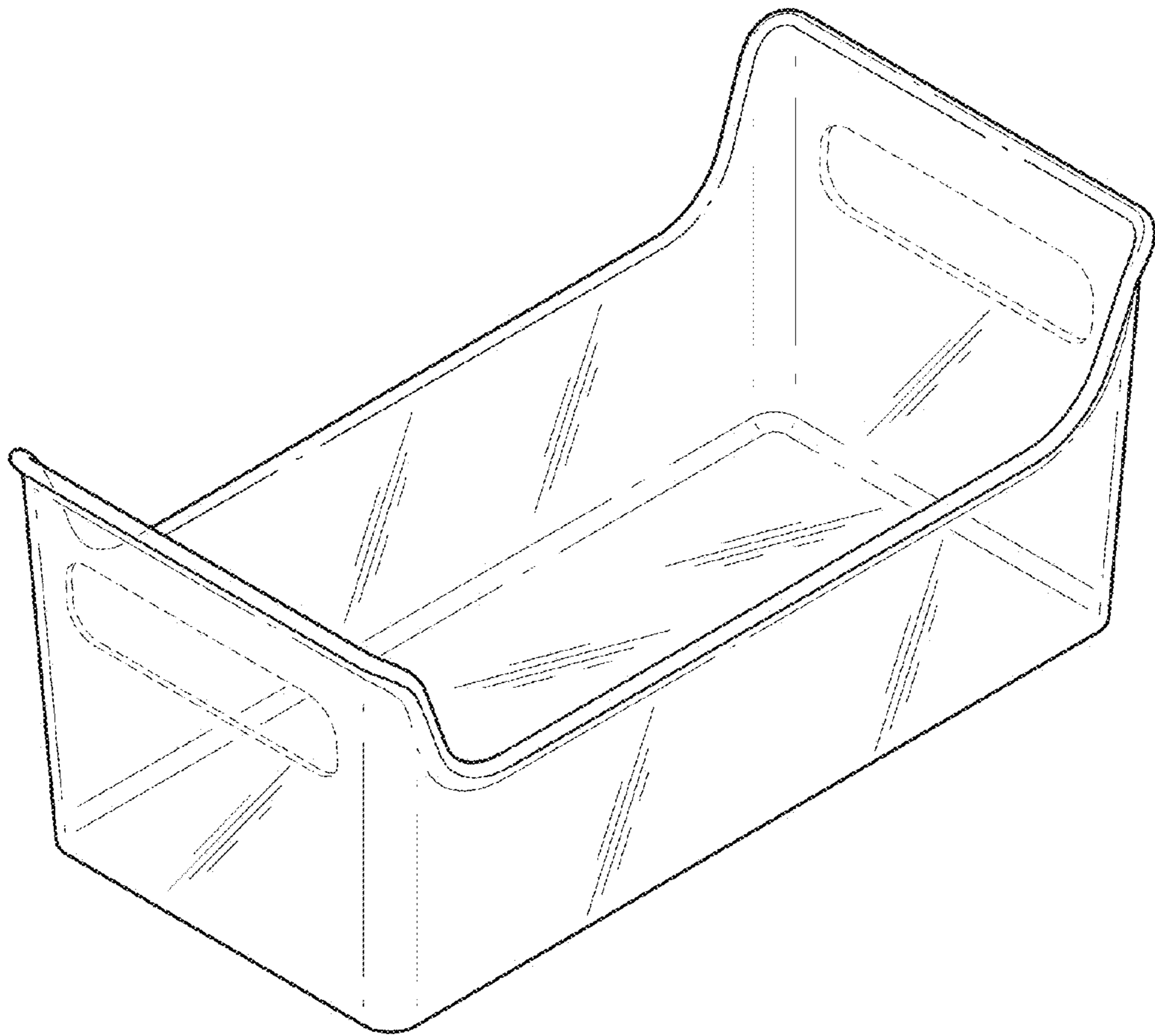


FIG. 1

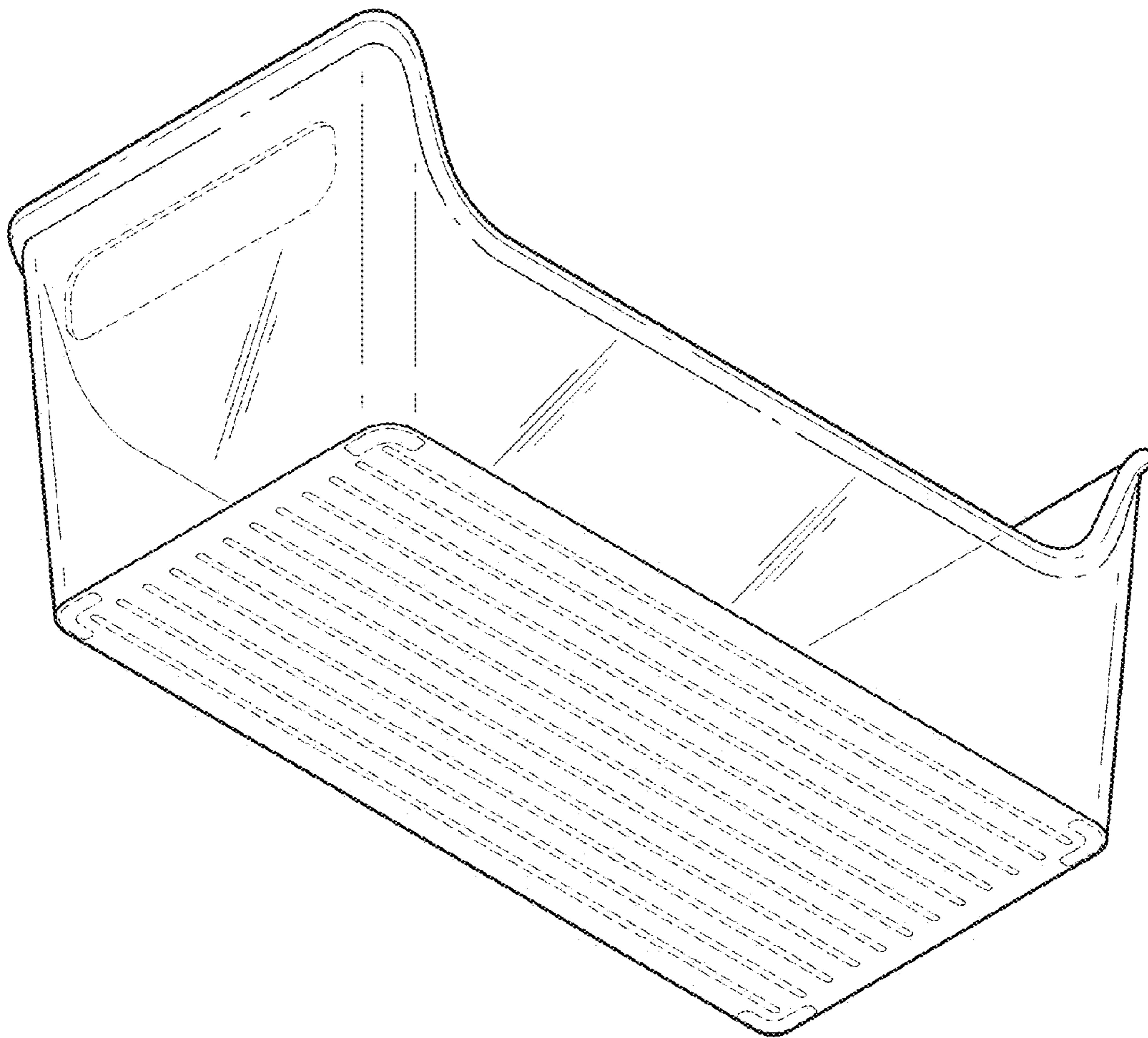


FIG. 2

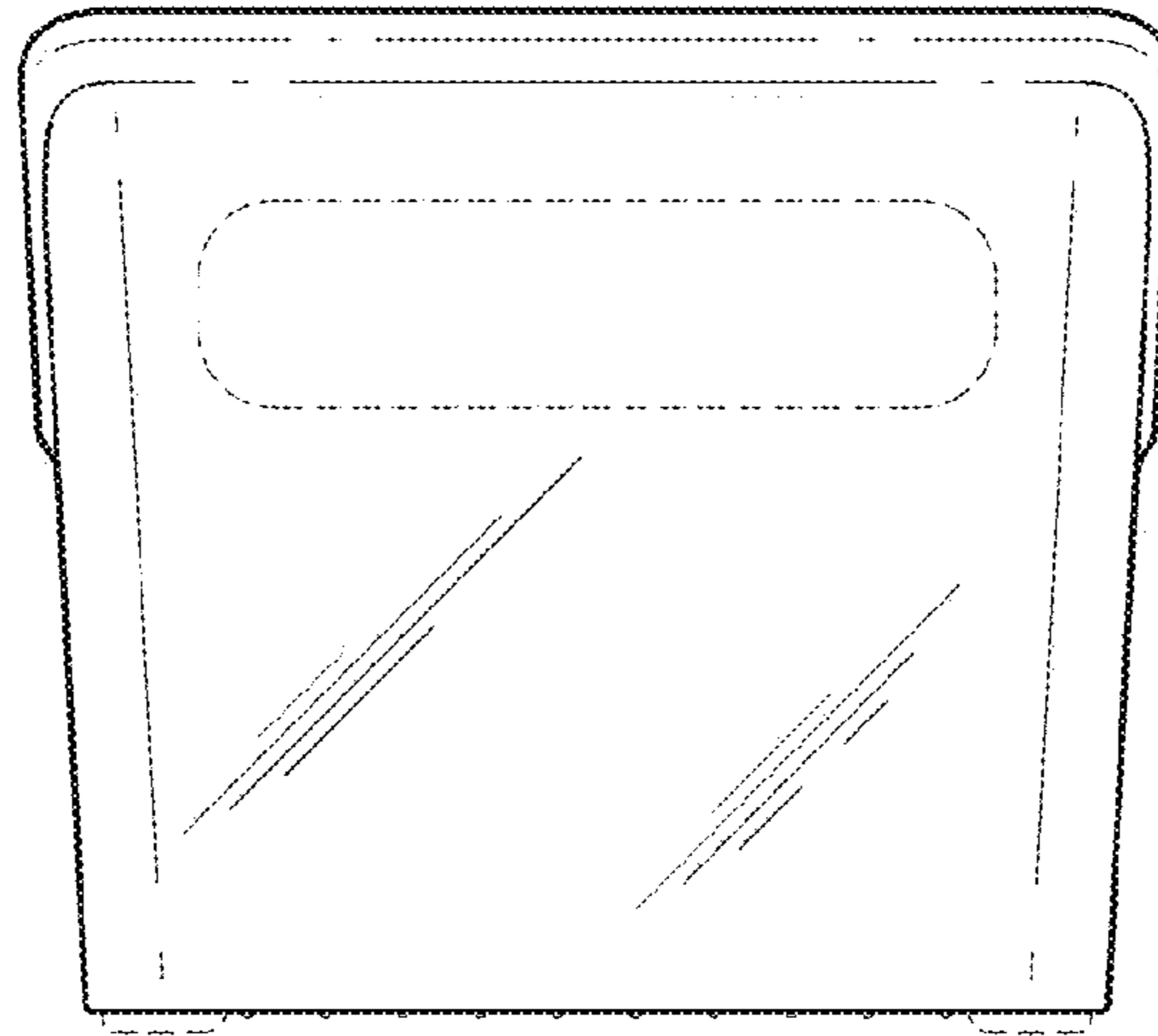


FIG. 3

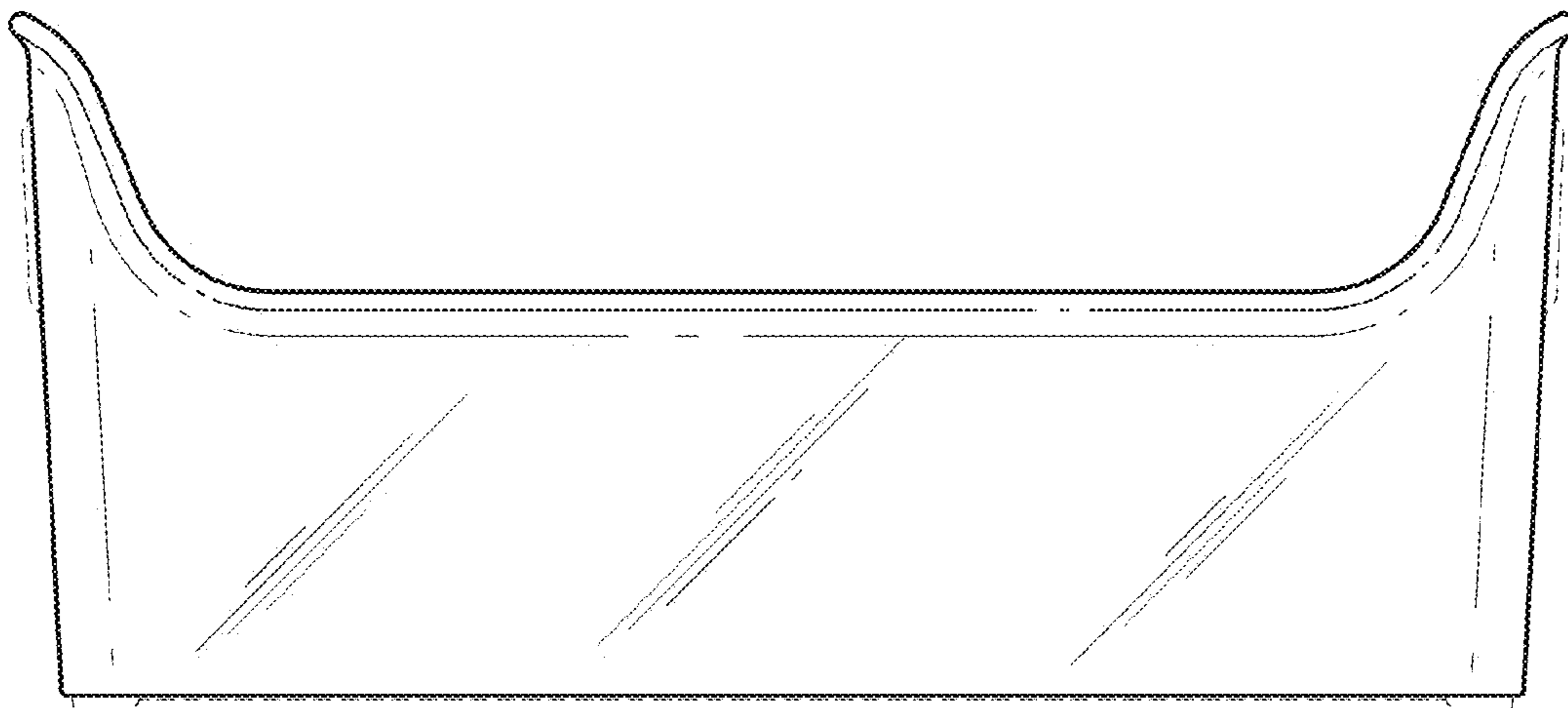


FIG. 4

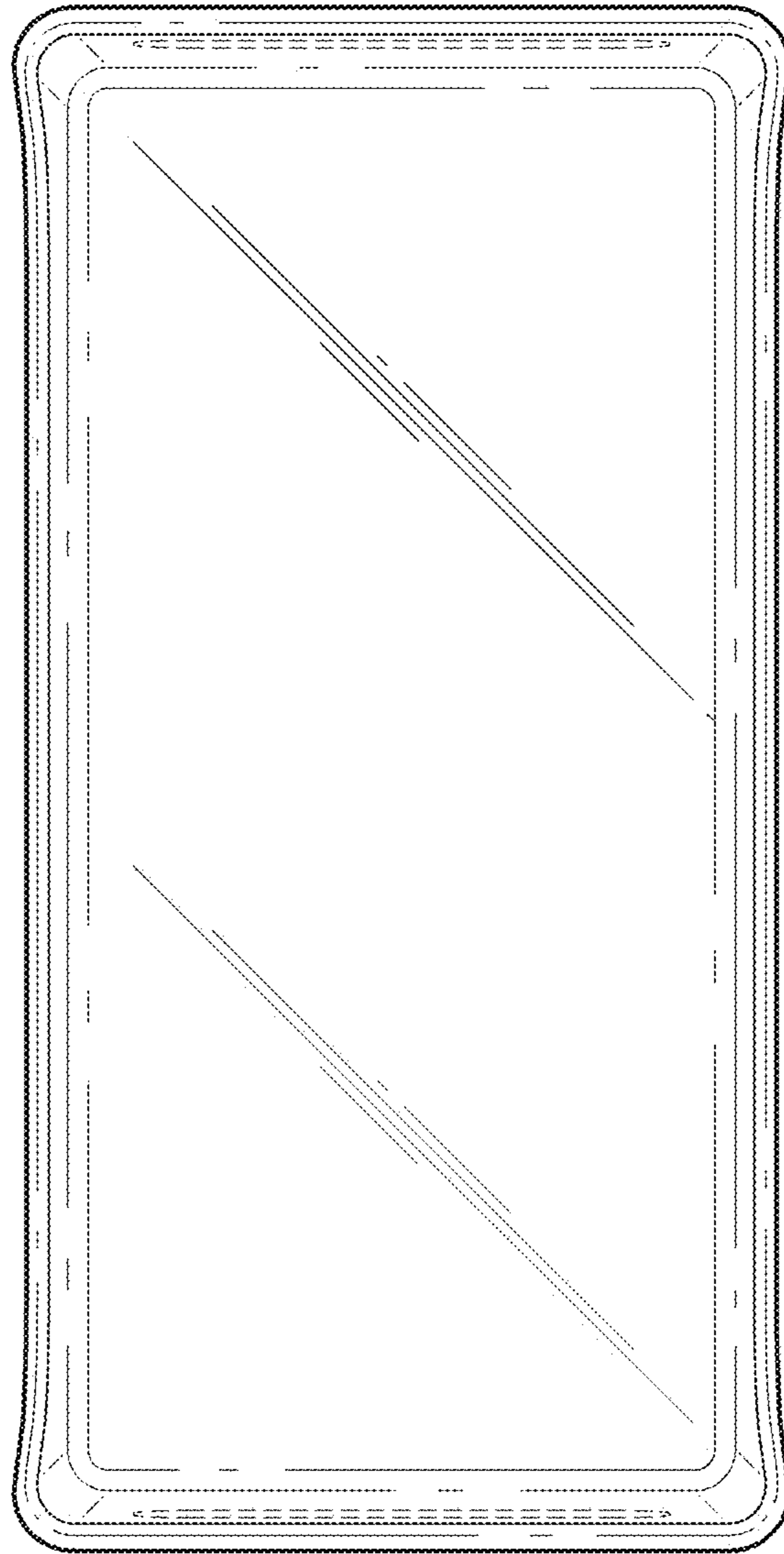


FIG. 5

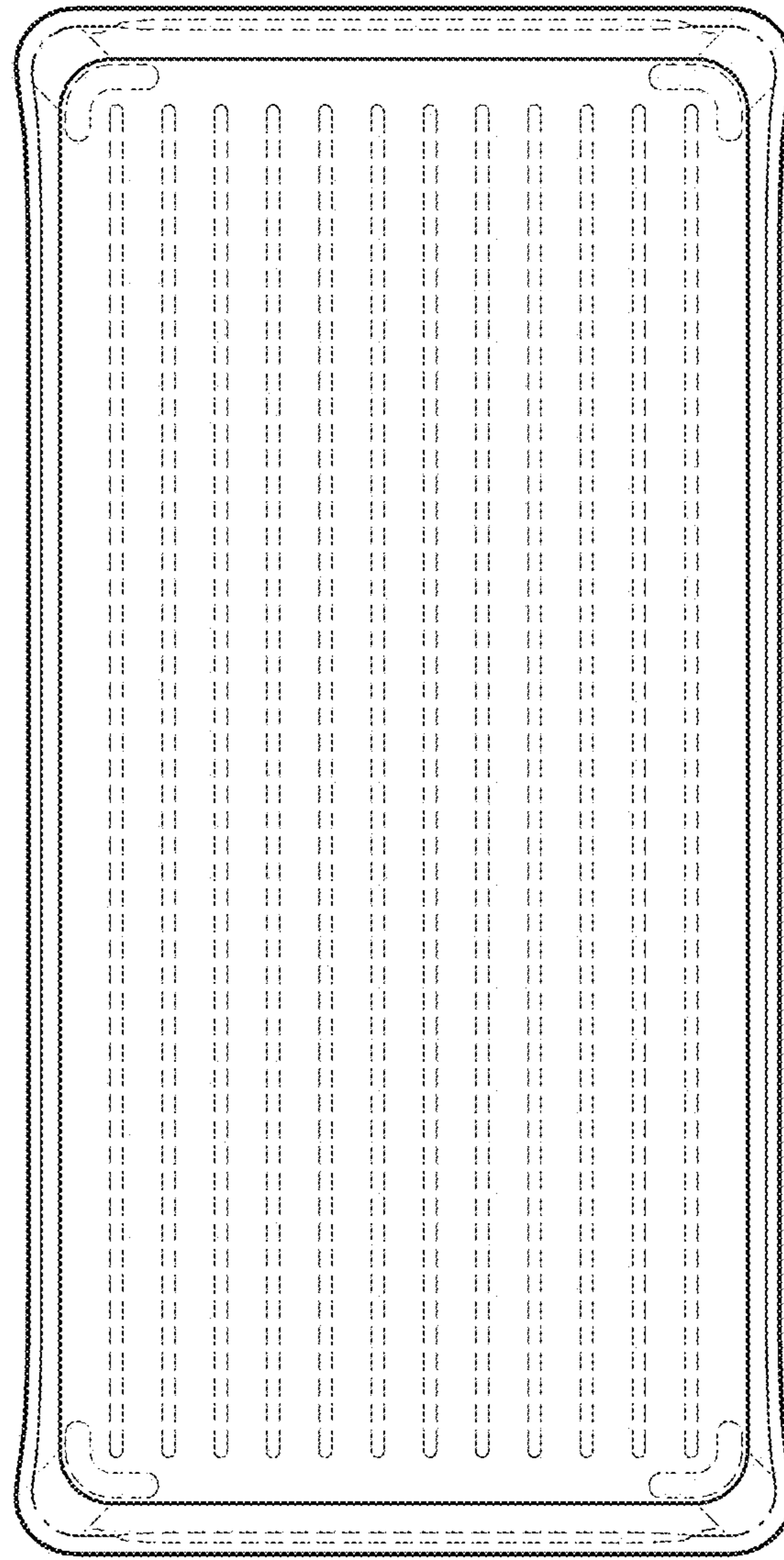


FIG. 6