



US00D751316S

(12) **United States Design Patent**  
**Tschan**

(10) **Patent No.:** **US D751,316 S**  
(45) **Date of Patent:** **\*\* Mar. 15, 2016**

(54) **DISPENSER FOR PAINT SPRAY GUN CUP COMPONENTS**

(71) Applicant: **SATA GmbH & Co. KG**, Kornwestheim (DE)

(72) Inventor: **Alexander Tschan**, Kornwestheim (DE)

(73) Assignee: **SATA GMBH & CO. KG**, Kornwestheim (DE)

(\*\*) Term: **15 Years**

(21) Appl. No.: **29/530,038**

(22) Filed: **Jun. 12, 2015**

**Related U.S. Application Data**

(62) Division of application No. 29/469,049, filed on Oct. 7, 2013, now Pat. No. Des. 733,453.

(30) **Foreign Application Priority Data**

Apr. 11, 2013 (EM) ..... 002218867-0005  
Apr. 11, 2013 (EM) ..... 002218867-0006

(51) **LOC (10) Cl.** ..... **20-02**

(52) **U.S. Cl.**  
USPC ..... **D6/515**

(58) **Field of Classification Search**  
USPC ..... D6/512-518, 329, 396, 397, 408, 410, D6/449  
CPC ..... B65D 85/672; B65D 83/0805; B65D 83/267; B65D 85/11; B66D 17/442; A47F 7/00; A47F 7/163; A47F 1/085; A47F 7/021; A47G 19/24; A47G 21/12; A47K 10/40; A47K 17/003; A47K 5/05; A47K 10/85

See application file for complete search history.

(56) **References Cited**

U.S. PATENT DOCUMENTS

D245,048 S *	7/1977	Pool .....	D6/516
D365,952 S *	1/1996	Gagnon et al. ....	D6/515
D414,636 S *	10/1999	Wiese .....	D6/515
D435,379 S *	12/2000	Nguyen .....	D6/515
D472,730 S *	4/2003	Sparkowski .....	D6/515
D541,088 S *	4/2007	Nesci .....	D6/515

\* cited by examiner

*Primary Examiner* — Brian N Vinson

(74) *Attorney, Agent, or Firm* — Paul D. Bianco; Fleit Gibbons Gutman Bongini & Bianco PL

(57) **CLAIM**

The ornamental design for a dispenser for paint spray gun cup components, as shown and described.

**DESCRIPTION**

FIG. 1 is a perspective view of a dispenser for paint spray gun cup components according to the present invention.

FIG. 2 is a front view of the dispenser of FIG. 1.

FIG. 3 is a back view of the dispenser of FIG. 1.

FIG. 4 is a left view of the dispenser of FIG. 1.

FIG. 5 is a right view of the dispenser of FIG. 1.

FIG. 6 is a top view of the dispenser of FIG. 1.

FIG. 7 is a bottom view of the dispenser of FIG. 1, with the broken line disclosure representing portions of the dispenser which form no part of the claimed design.

FIG. 8 is a perspective view of the dispenser of FIG. 1 with the dispenser shelves removed only for clarity of illustration.

FIG. 9 is a front view of the dispenser of FIG. 8.

FIG. 10 is a back view of the dispenser of FIG. 8.

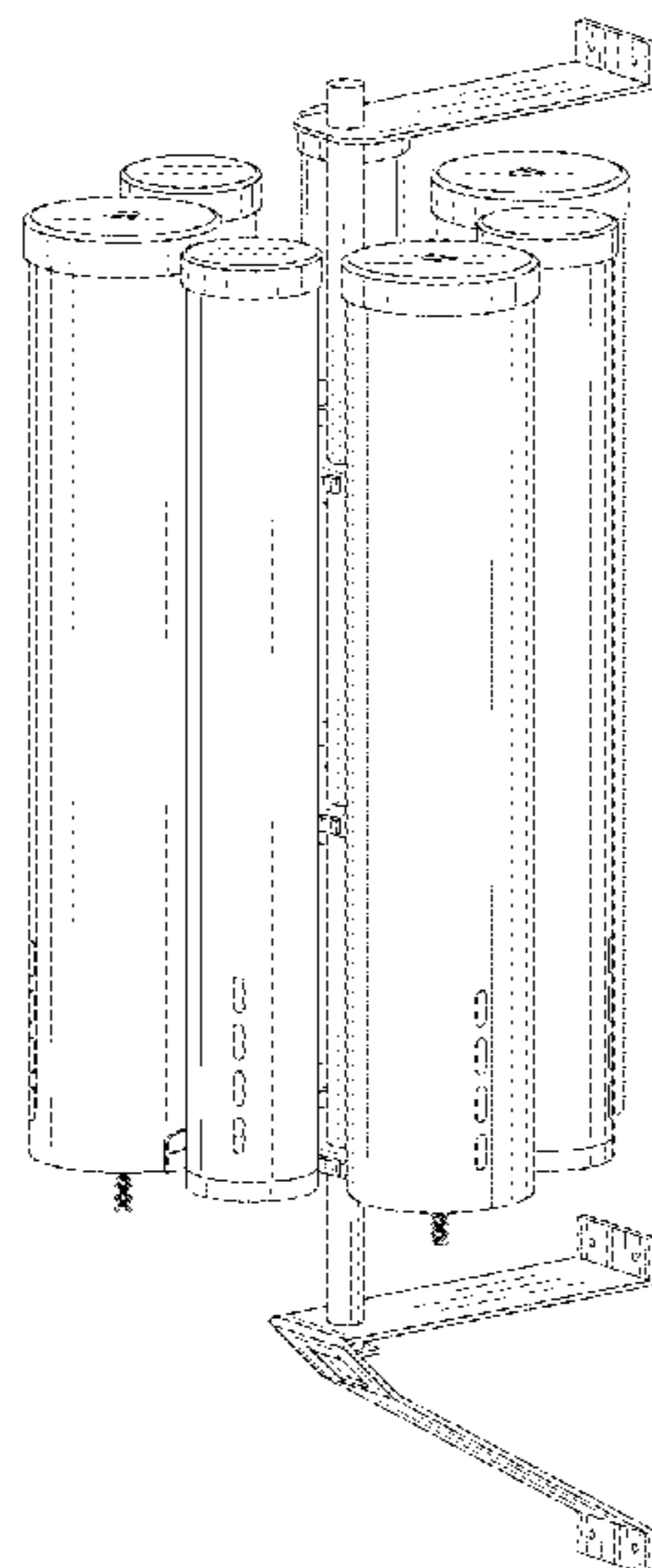
FIG. 11 is a left view of the dispenser of FIG. 8.

FIG. 12 is a right view of the dispenser of FIG. 8.

FIG. 13 is a top view of the dispenser of FIG. 8; and,

FIG. 14 is a bottom view of the dispenser of FIG. 8.

**1 Claim, 8 Drawing Sheets**



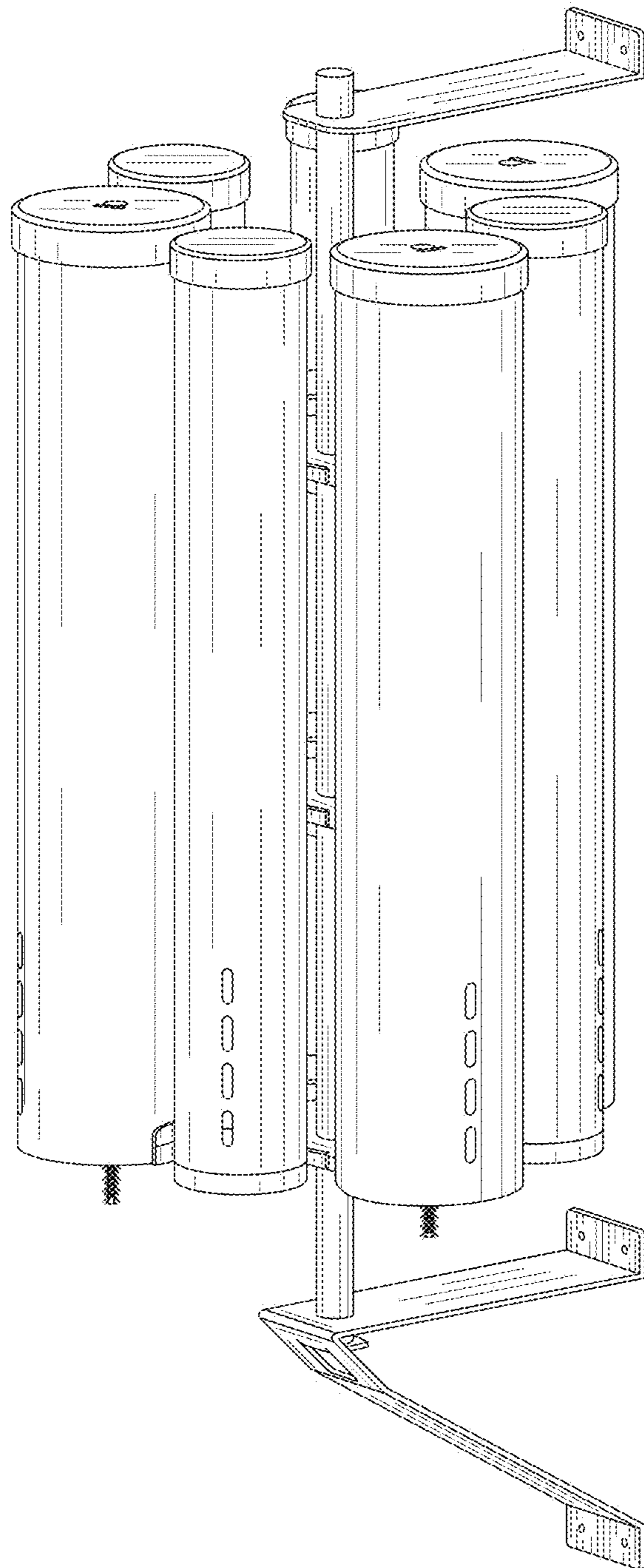


FIG. 1

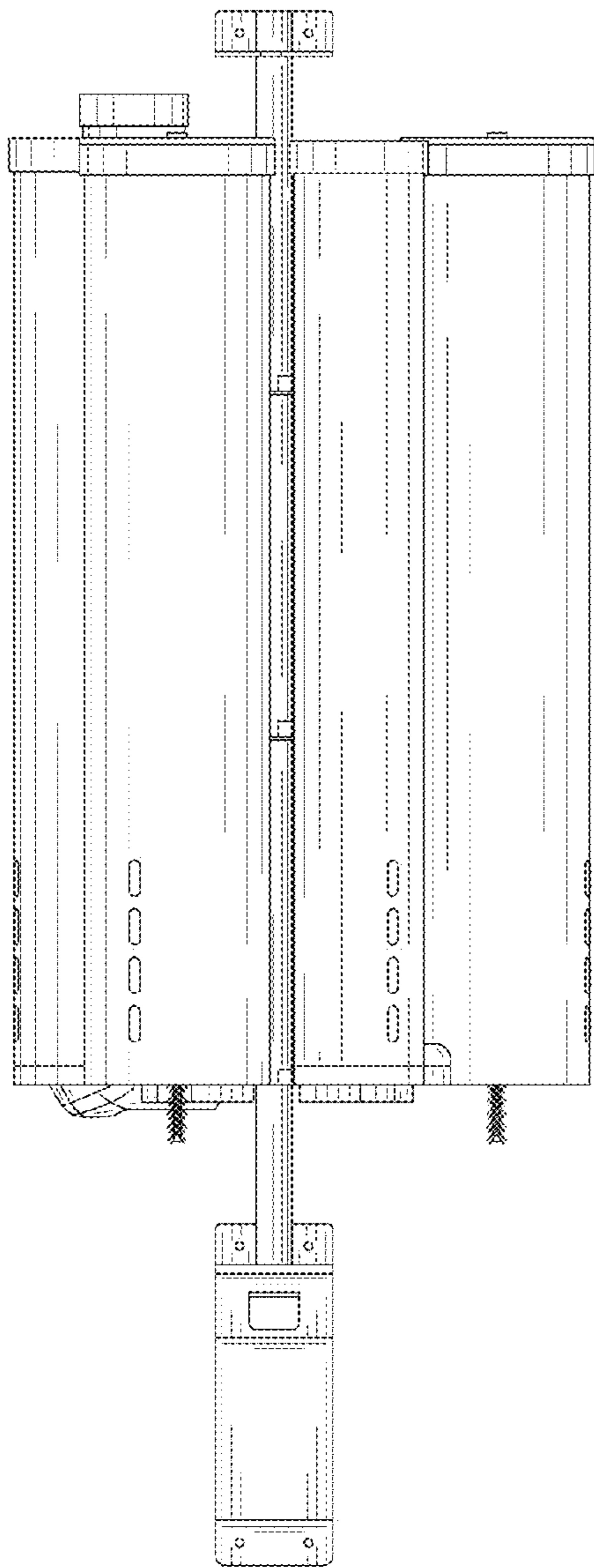


FIG. 2

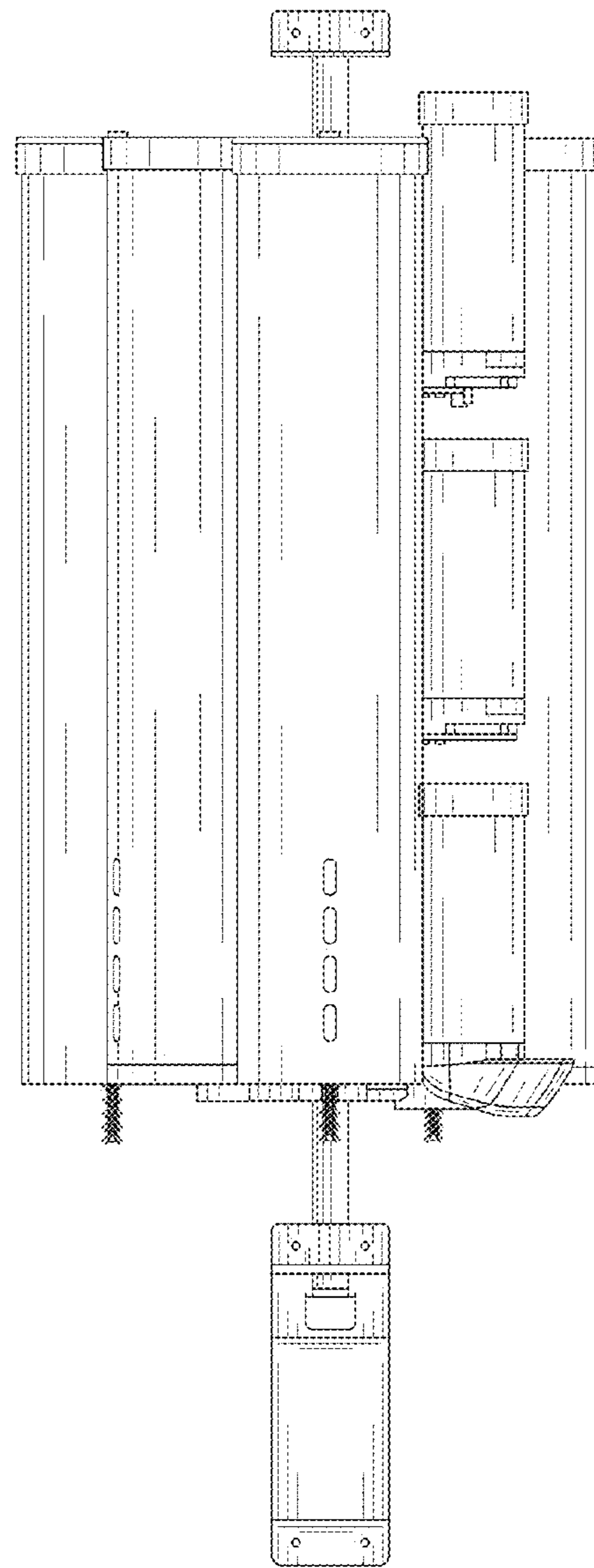


FIG. 3

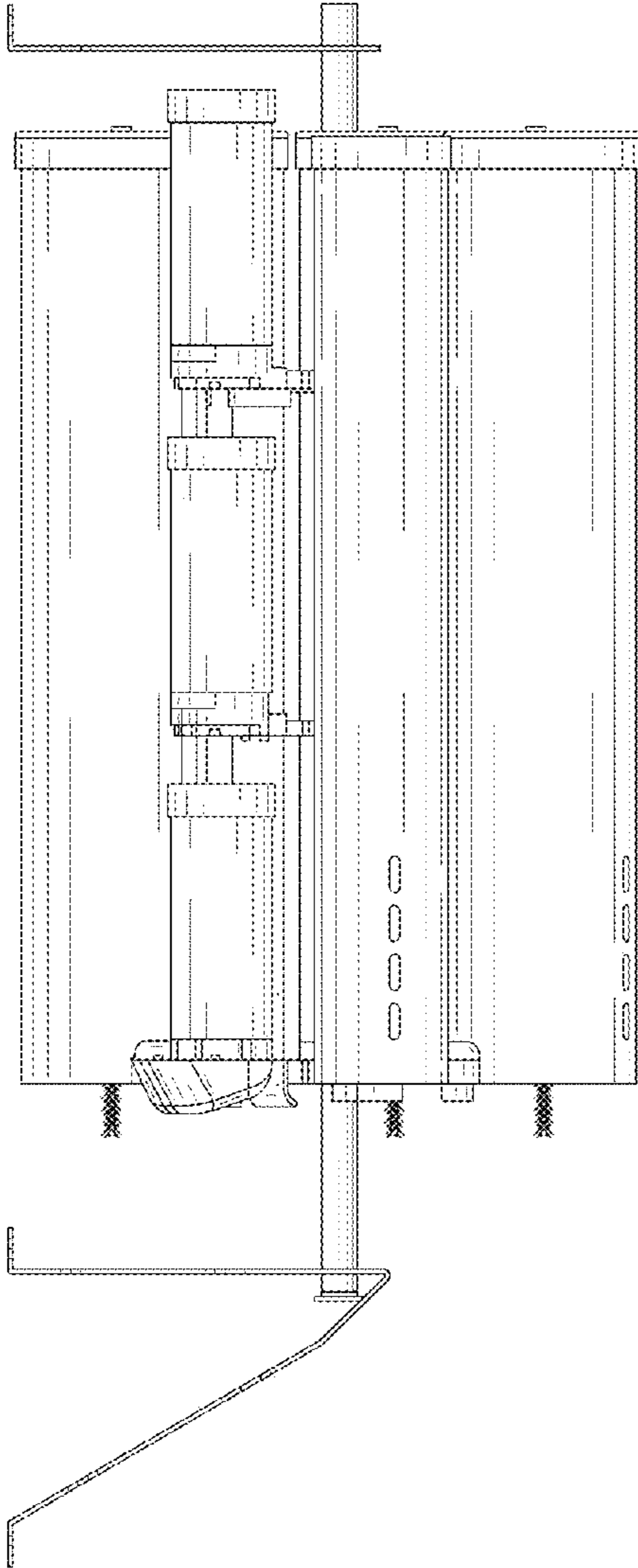


FIG. 4

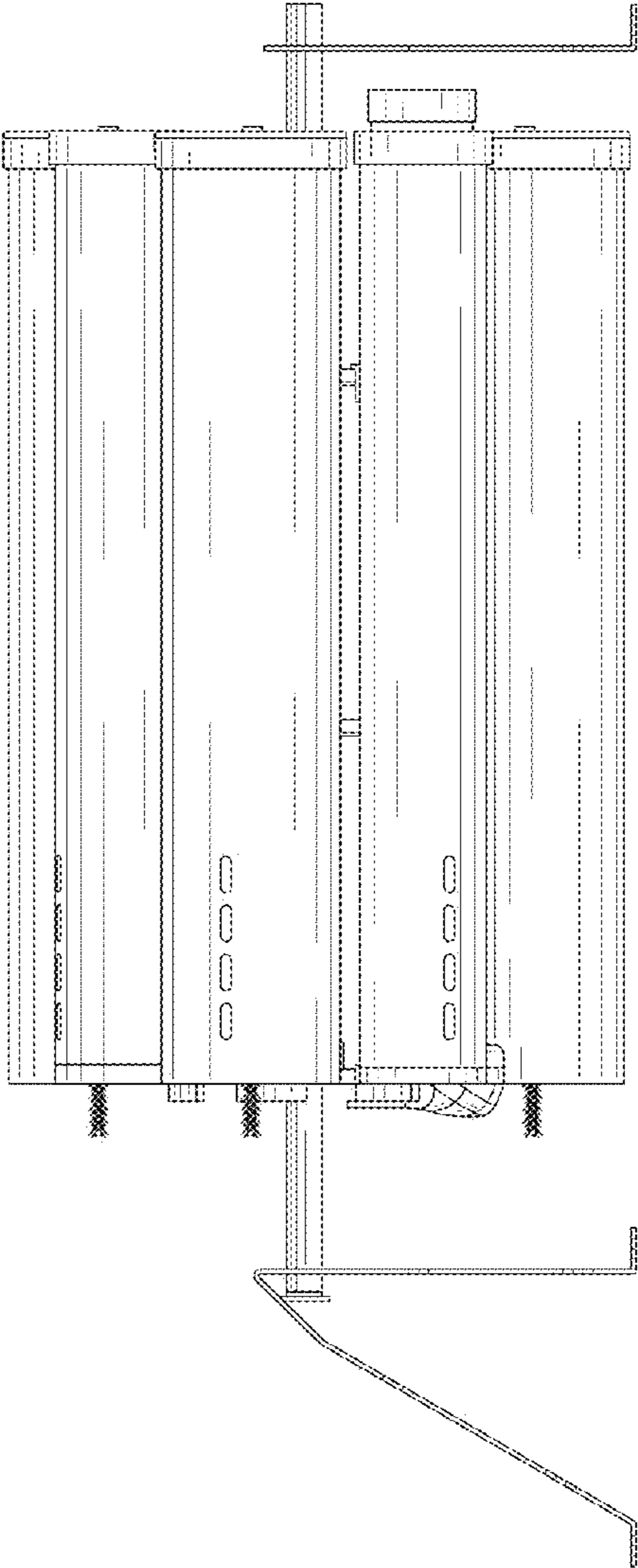
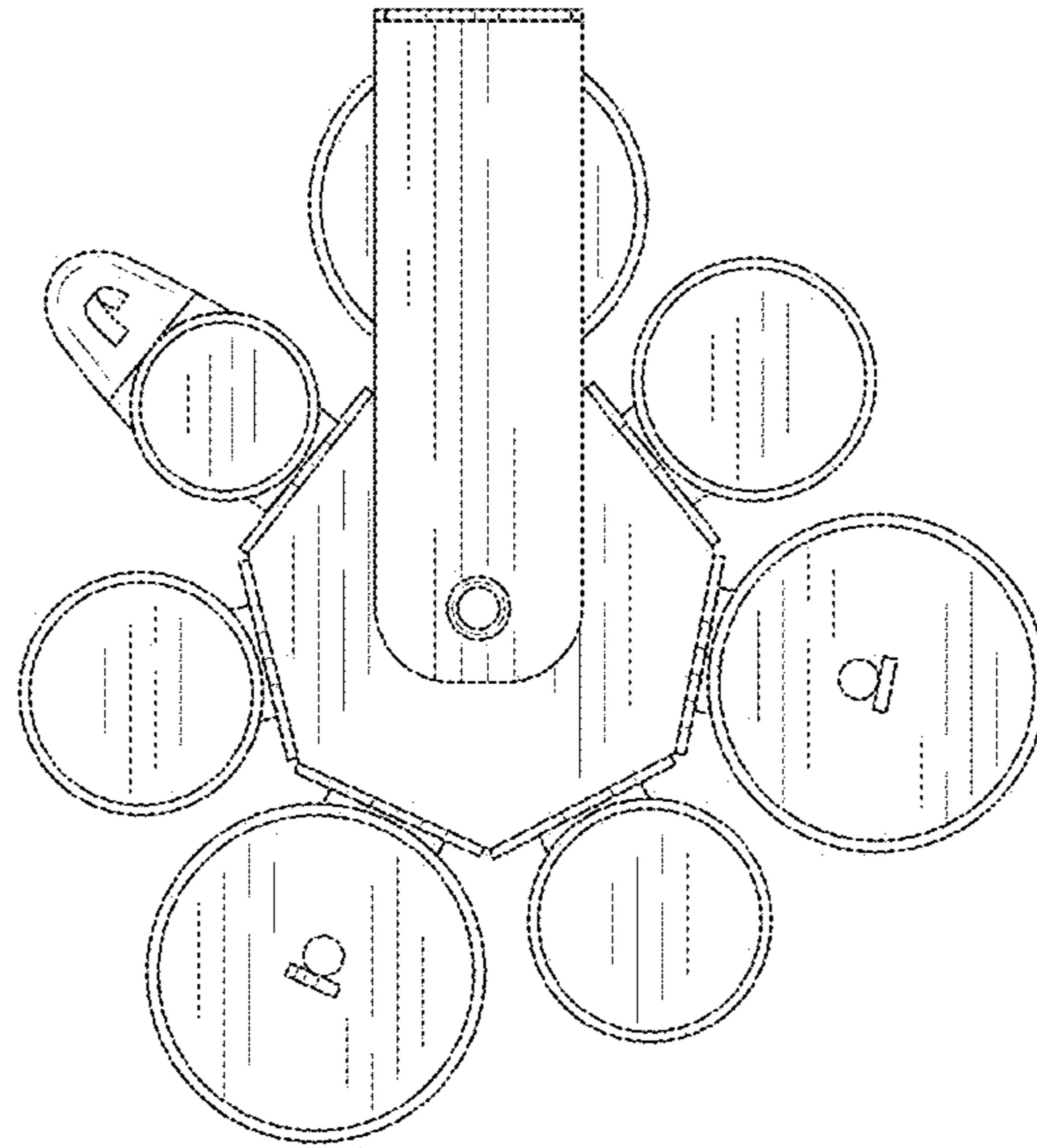
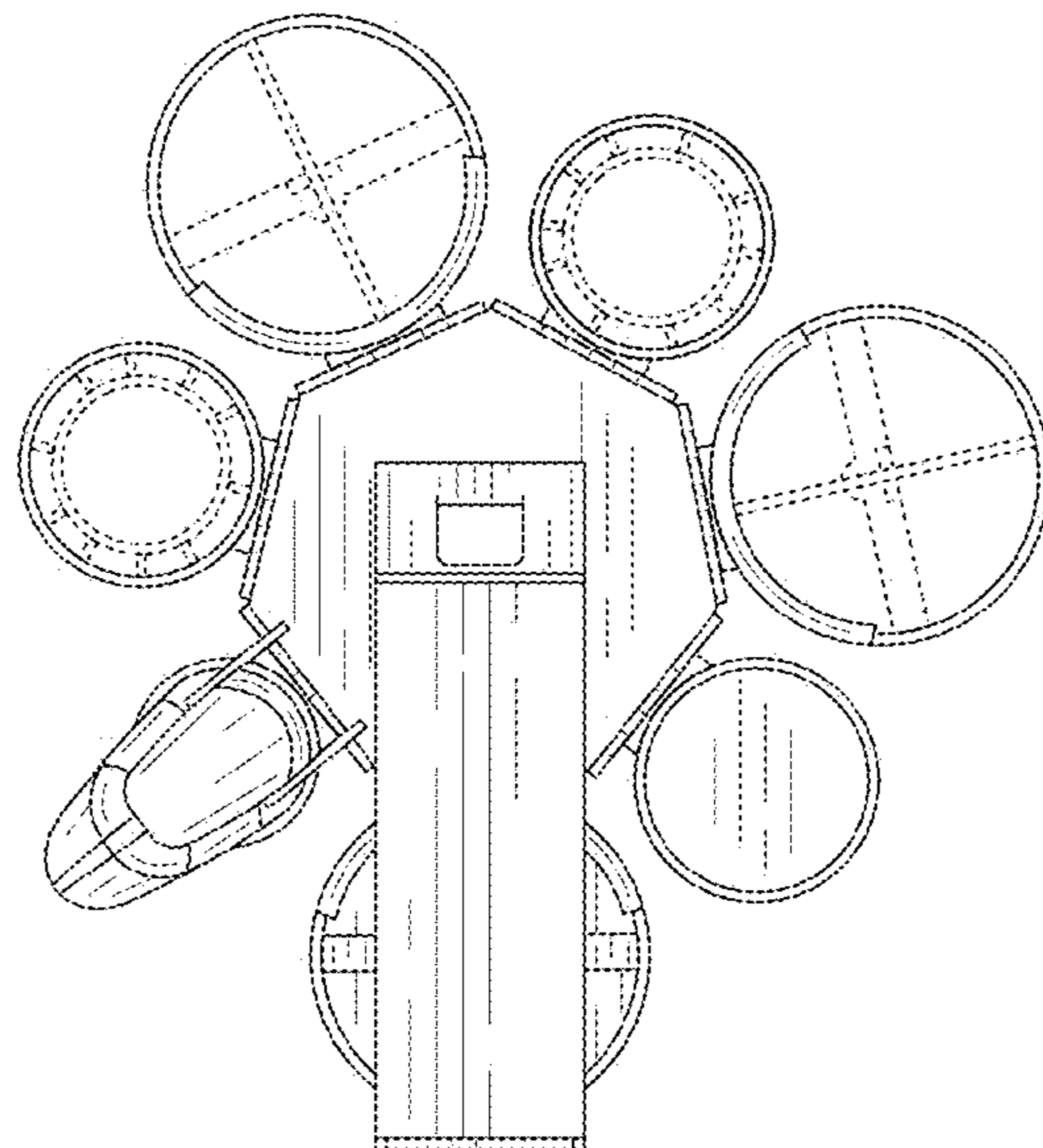


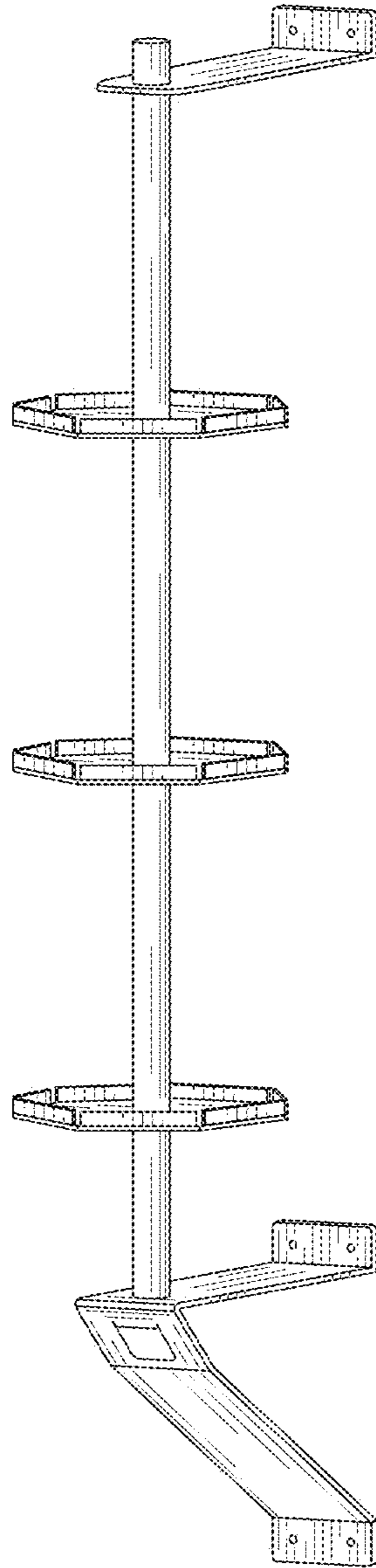
FIG. 5



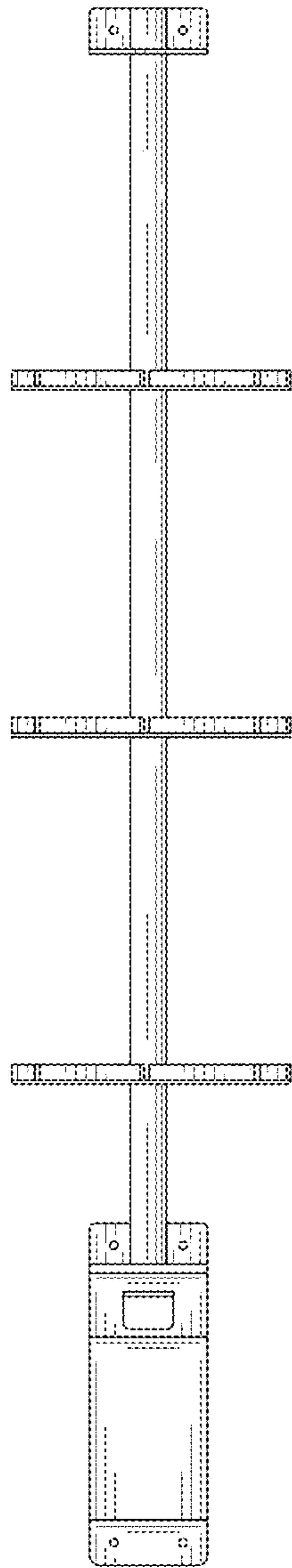
**FIG. 6**



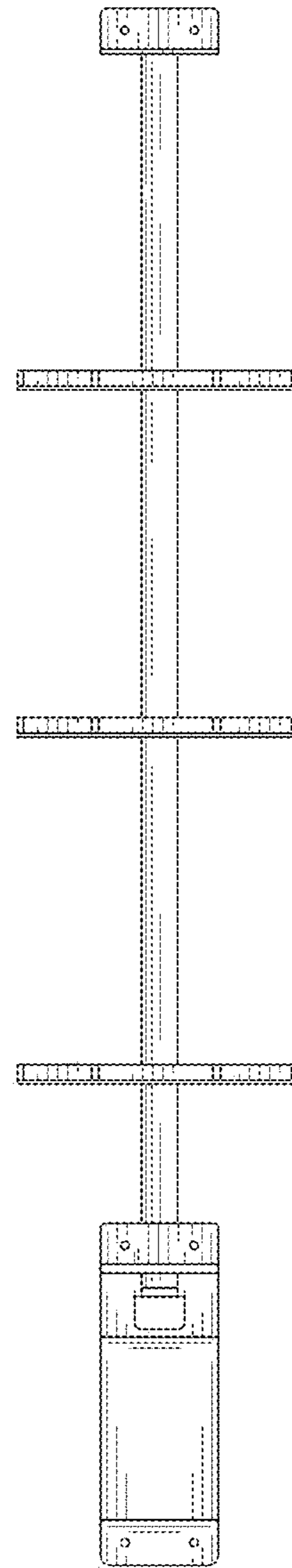
**FIG. 7**



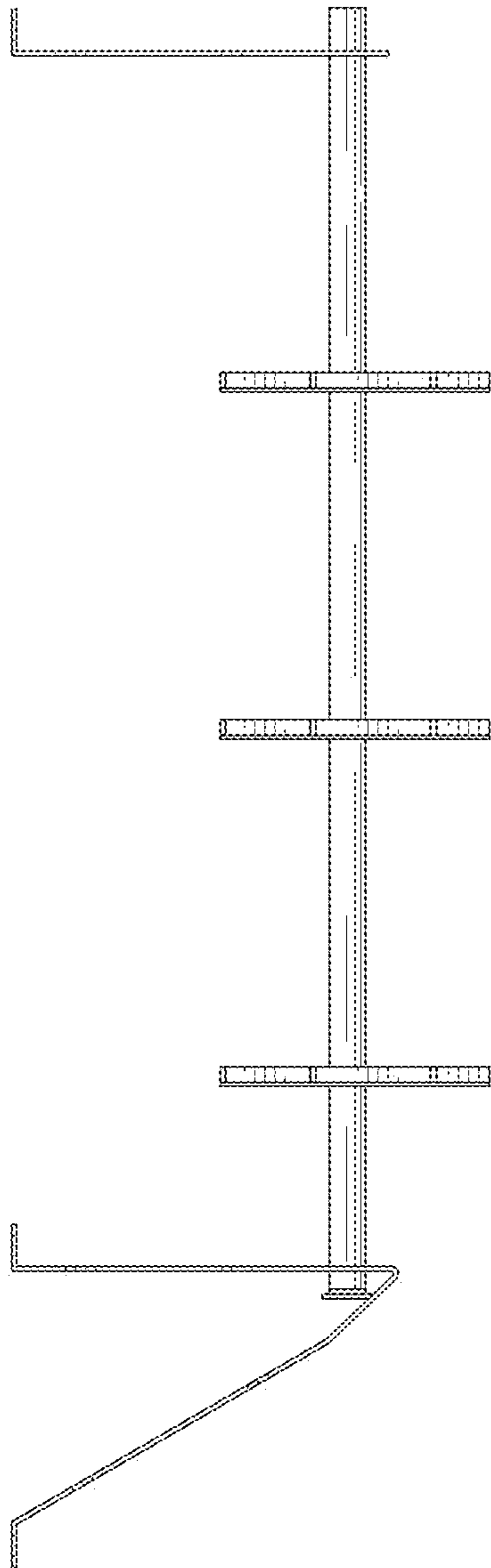
**FIG. 8**



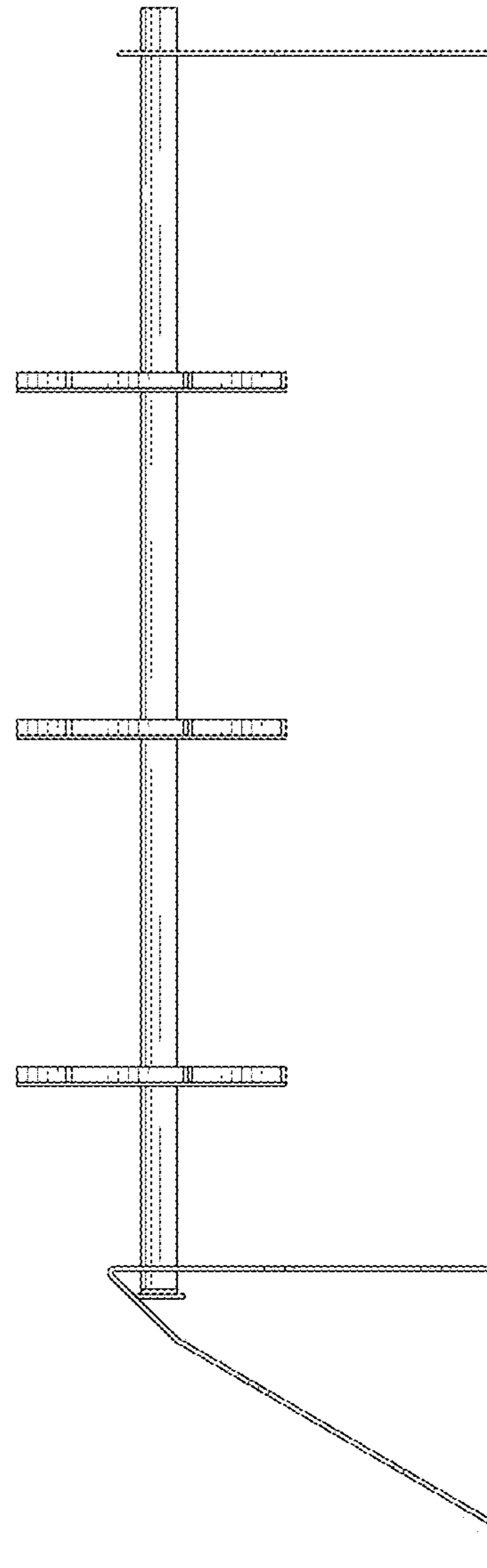
**FIG. 9**



**FIG. 10**

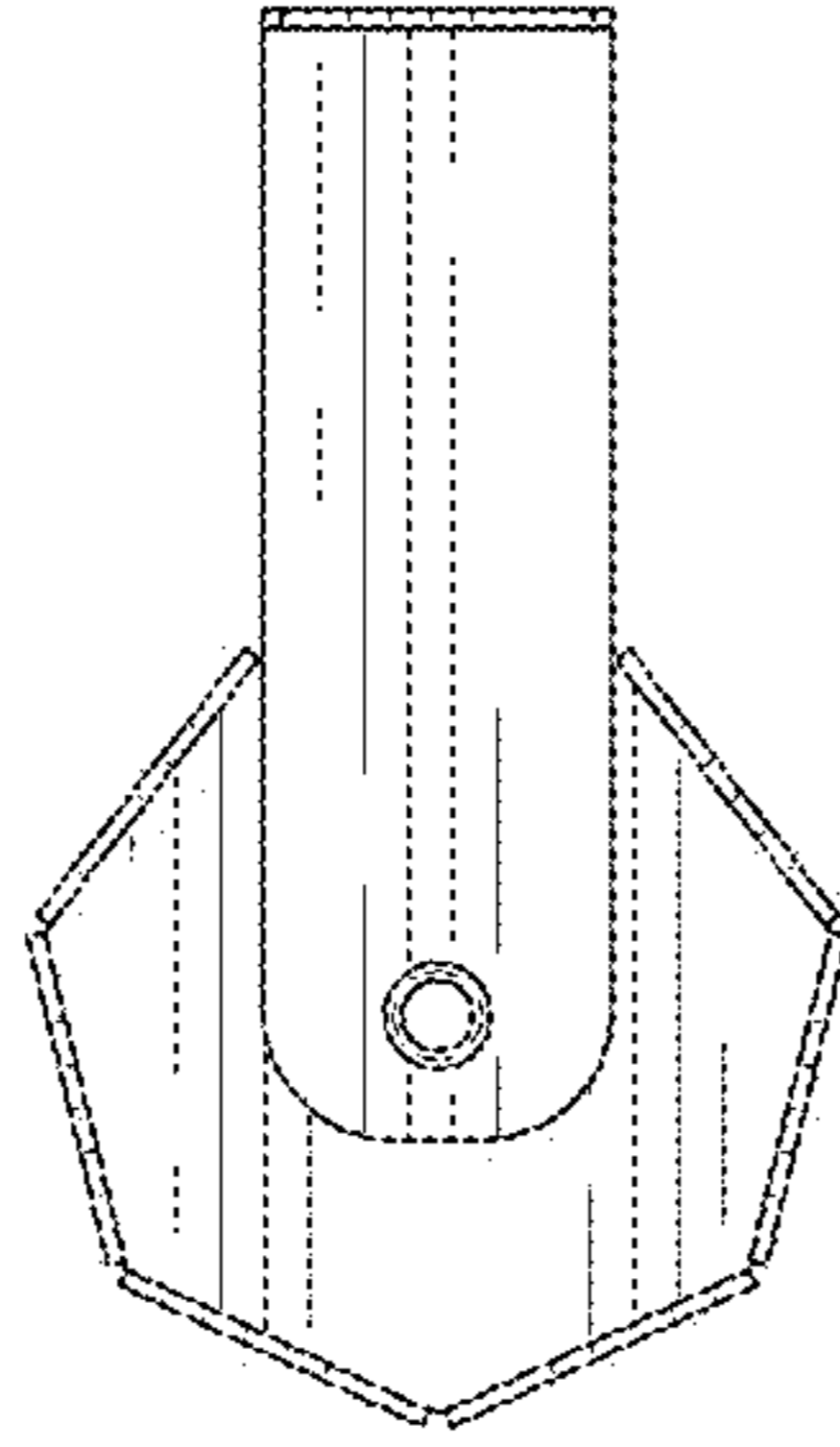


**FIG. 11**

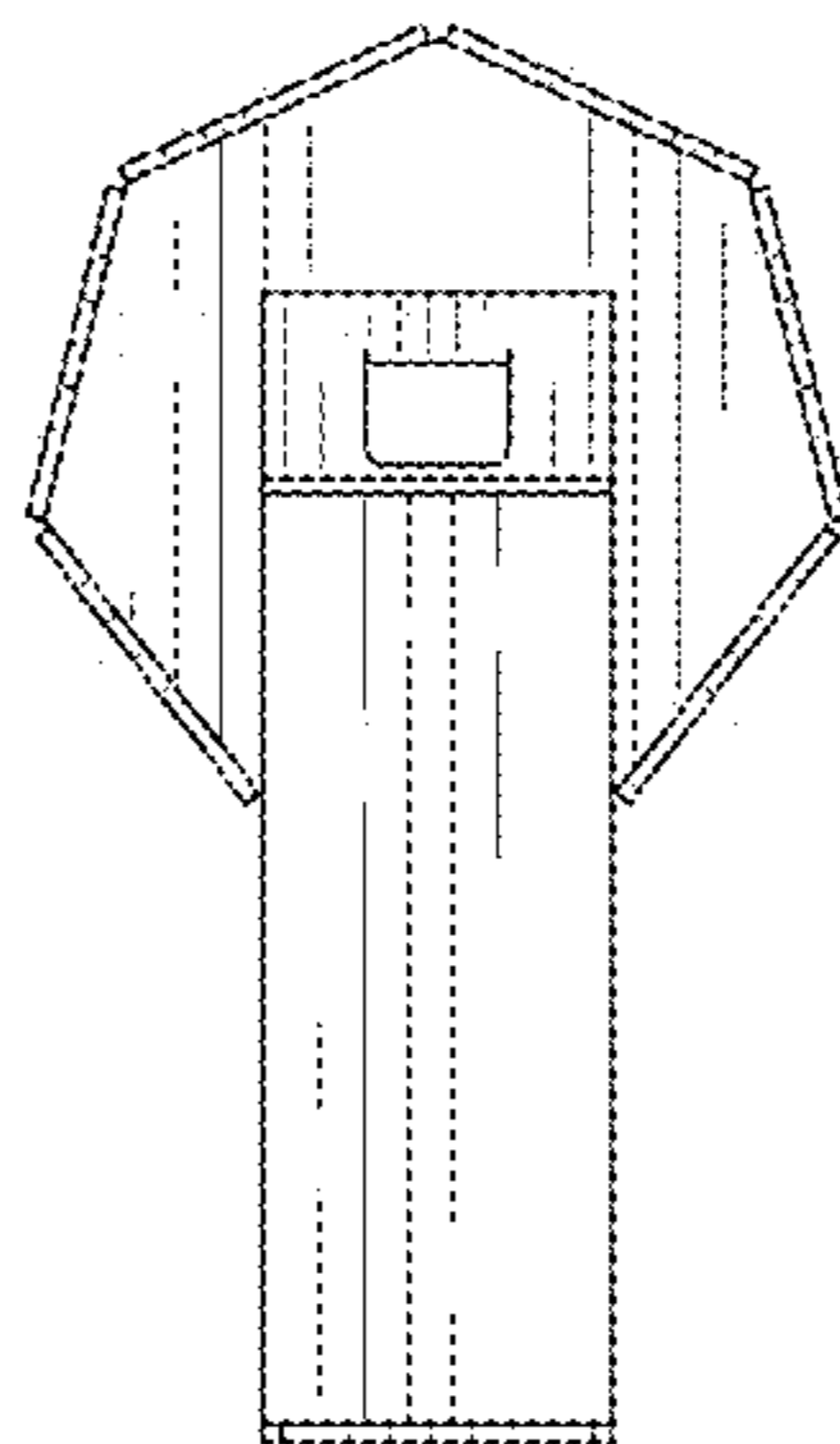


**FIG. 12**





**FIG. 13**



**FIG. 14**