



US00D751314S

(12) **United States Design Patent**  
**Meyer**

(10) **Patent No.:** **US D751,314 S**  
(45) **Date of Patent:** **\*\* Mar. 15, 2016**

- (54) **CHAIR**
- (71) Applicant: **Paul Louis Meyer, Gauteng (ZA)**
- (72) Inventor: **Paul Louis Meyer, Gauteng (ZA)**
- (\*\*) Term: **14 Years**
- (21) Appl. No.: **29/510,791**
- (22) Filed: **Dec. 3, 2014**
- (51) **LOC (10) Cl.** ..... **06-01**
- (52) **U.S. Cl.**  
USPC ..... **D6/375**
- (58) **Field of Classification Search**  
USPC ..... D6/334-336, 372, 373, 374, 375, 716,  
D6/716.1, 716.4  
CPC ..... A47C 4/02; A47C 4/03; A47C 3/12;  
A47C 7/16; A47C 7/022  
See application file for complete search history.

- D240,575 S \* 7/1976 Rinaldi ..... D6/372
- D252,840 S \* 9/1979 Scholten ..... D6/375
- D261,329 S \* 10/1981 Van Horn ..... D6/375
- D612,165 S \* 3/2010 Caggiano ..... D6/372
- D642,395 S \* 8/2011 Bladh ..... D6/372
- D646,498 S \* 10/2011 Blasini ..... D6/375

\* cited by examiner

*Primary Examiner* — Mimoso De  
(74) *Attorney, Agent, or Firm* — Tutunjian & Bitetto, P.C.

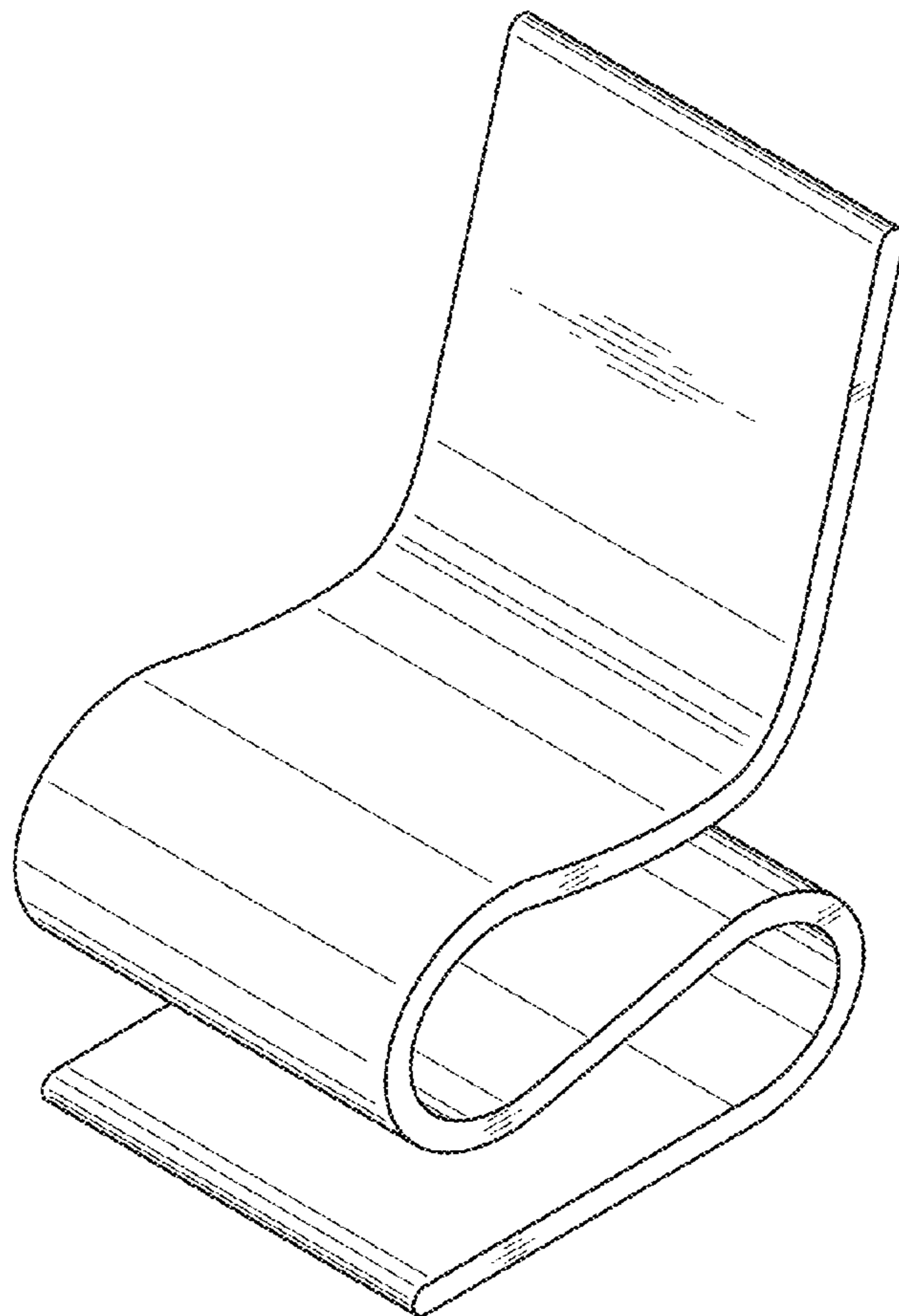
(57) **CLAIM**  
The ornamental design for a chair, as shown and described.

**DESCRIPTION**

FIG. 1 is a perspective view of the chair showing my new design;  
FIG. 2 is a front view thereof;  
FIG. 3 is a top view thereof;  
FIG. 4 is rear view thereof;  
FIG. 5 is a bottom view thereof;  
FIG. 6 is a right side view thereof; and,  
FIG. 7 is a left side view thereof.

- (56) **References Cited**  
U.S. PATENT DOCUMENTS  
D167,940 S \* 10/1952 Hofgesang ..... D6/375  
D225,705 S \* 1/1973 Torrey ..... D6/374

**1 Claim, 3 Drawing Sheets**



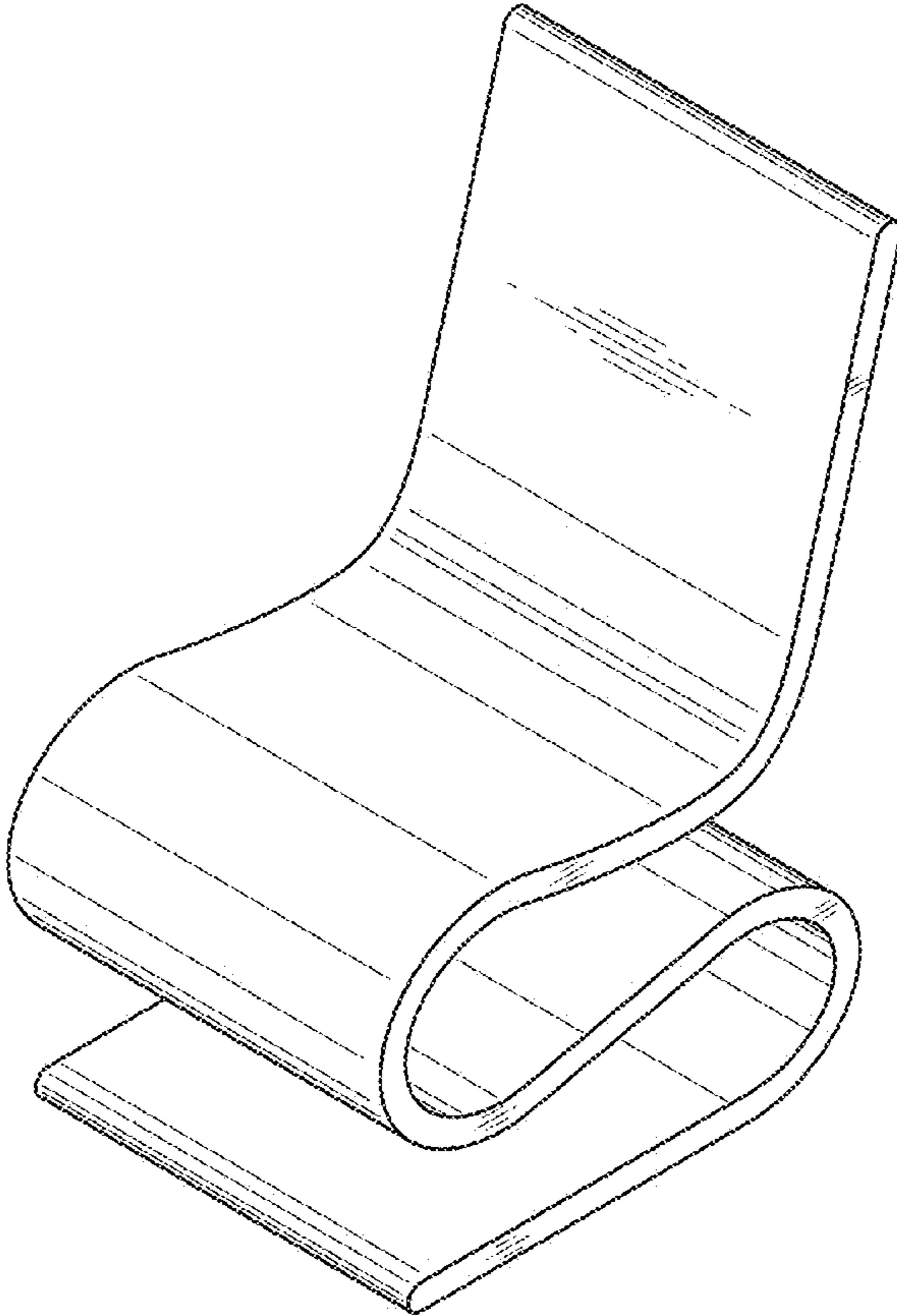


FIG. 1

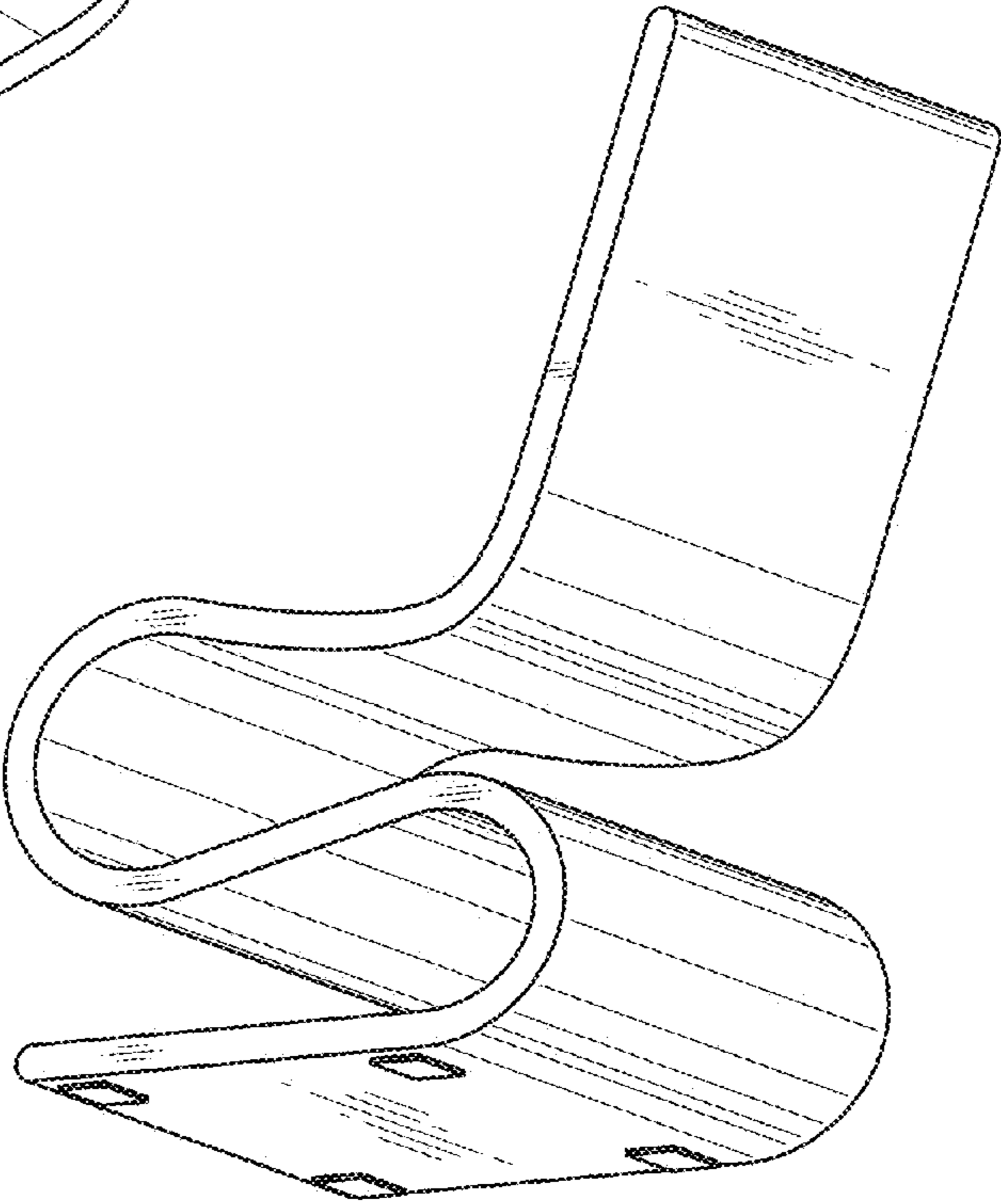


FIG. 2

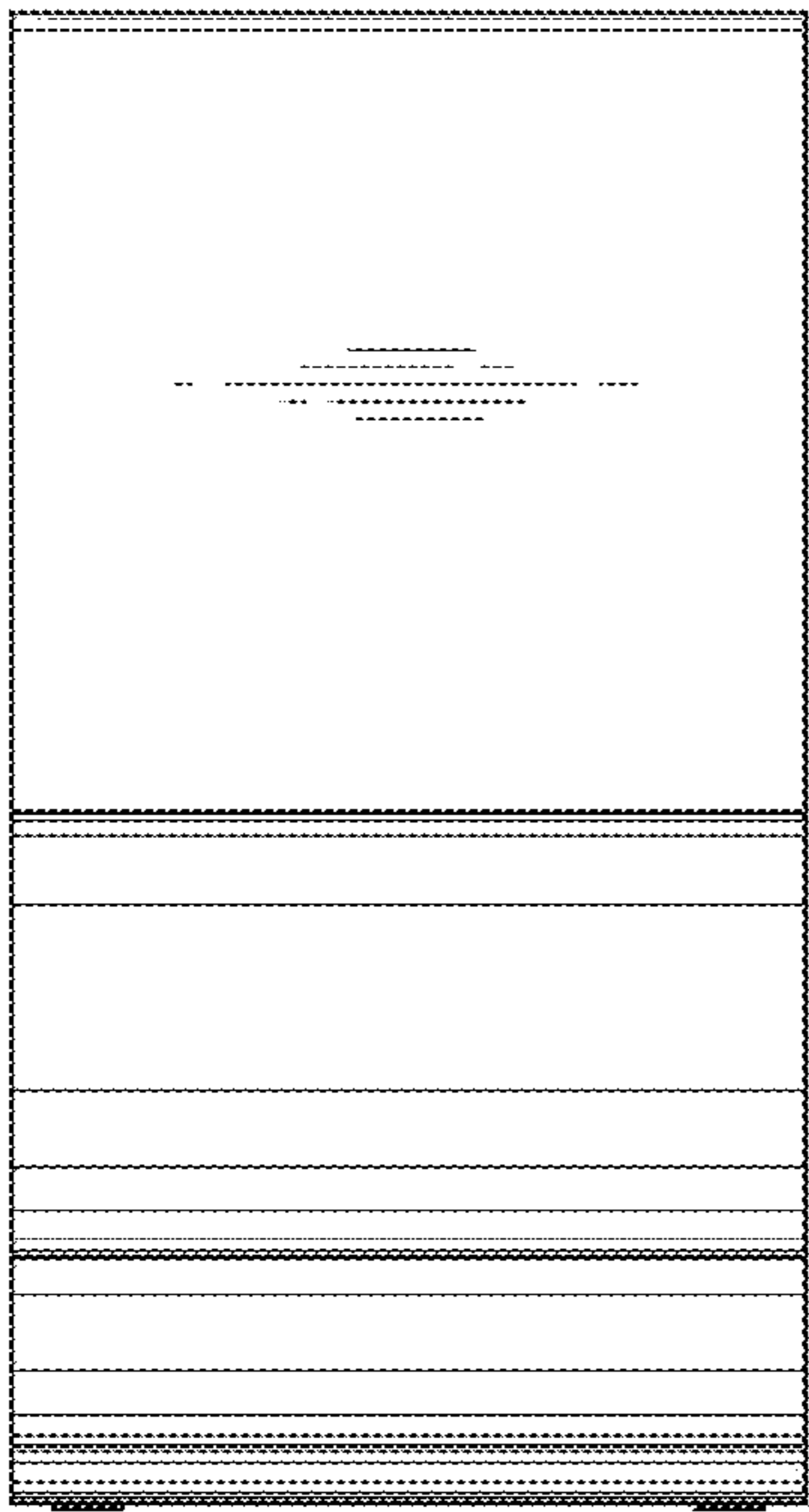


FIG. 3

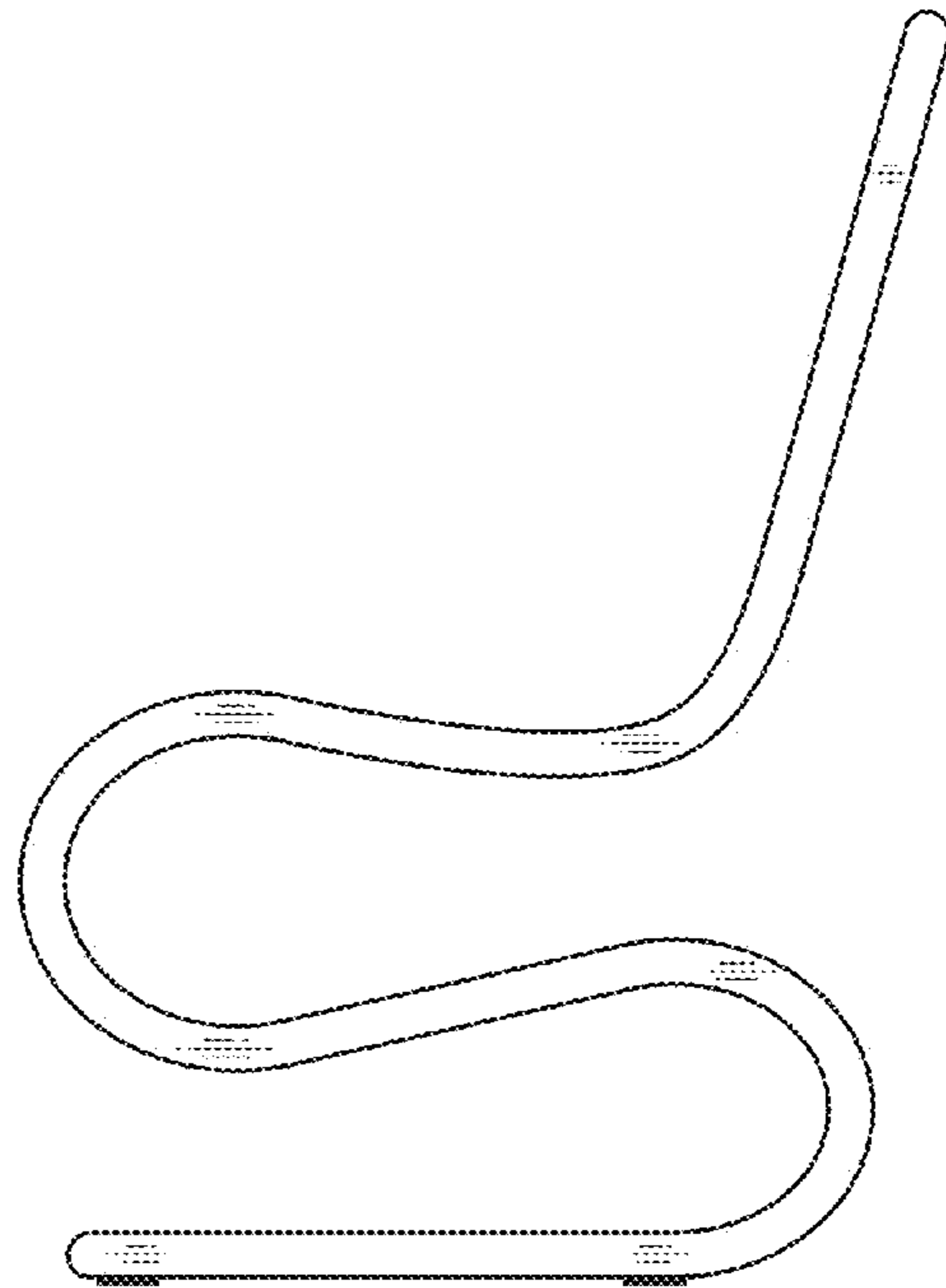


FIG. 4

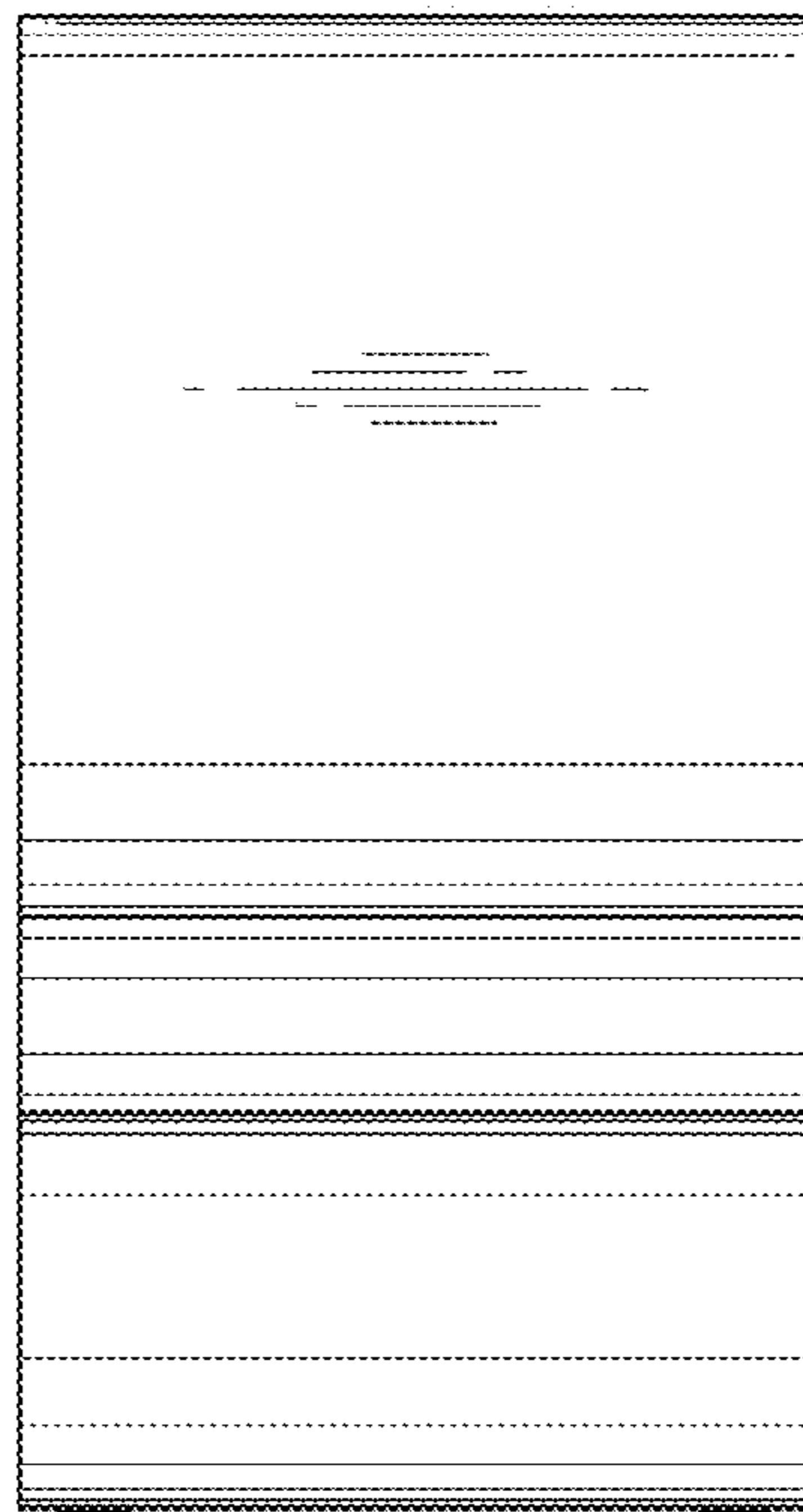


FIG. 5

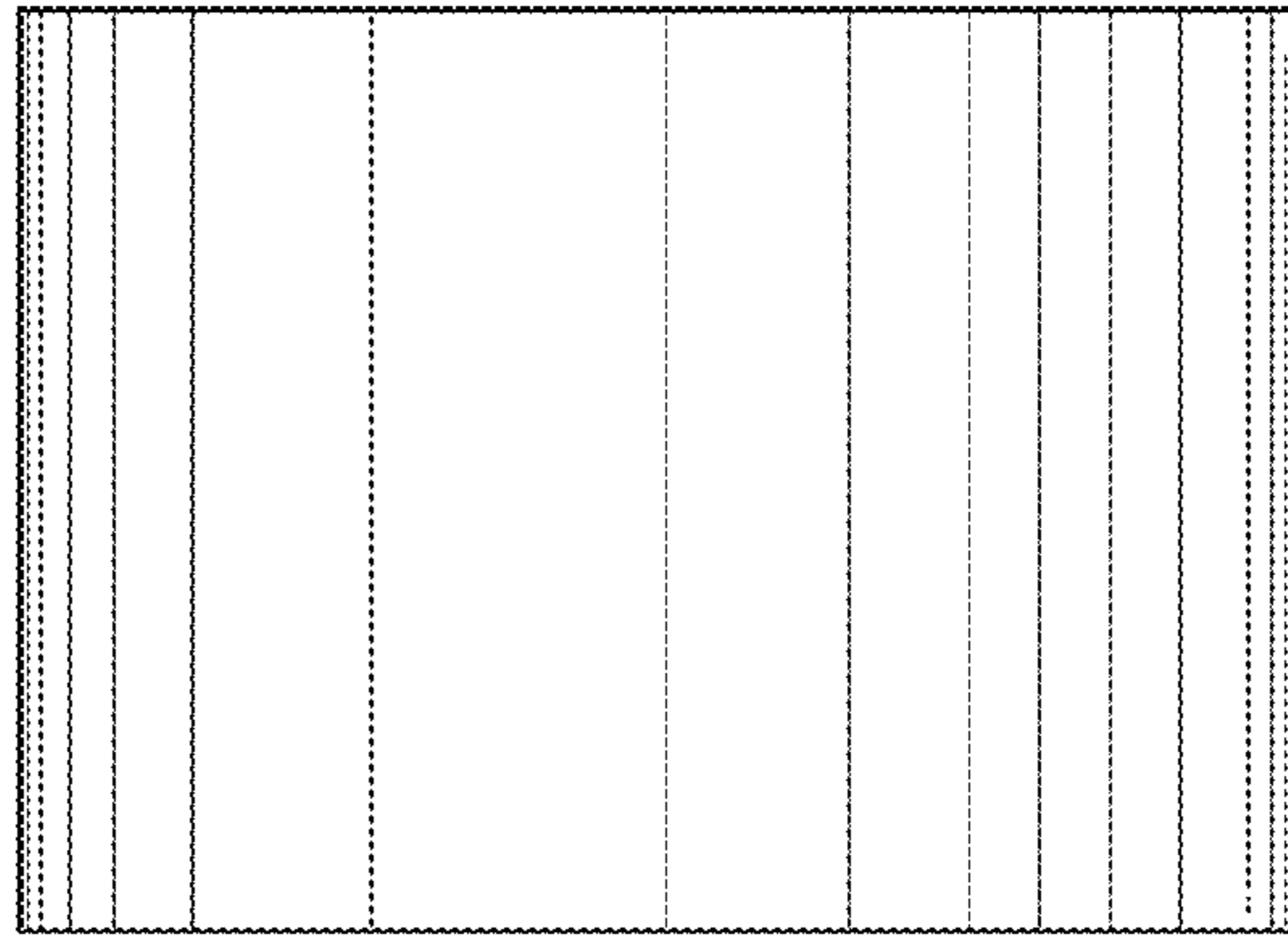


FIG. 6

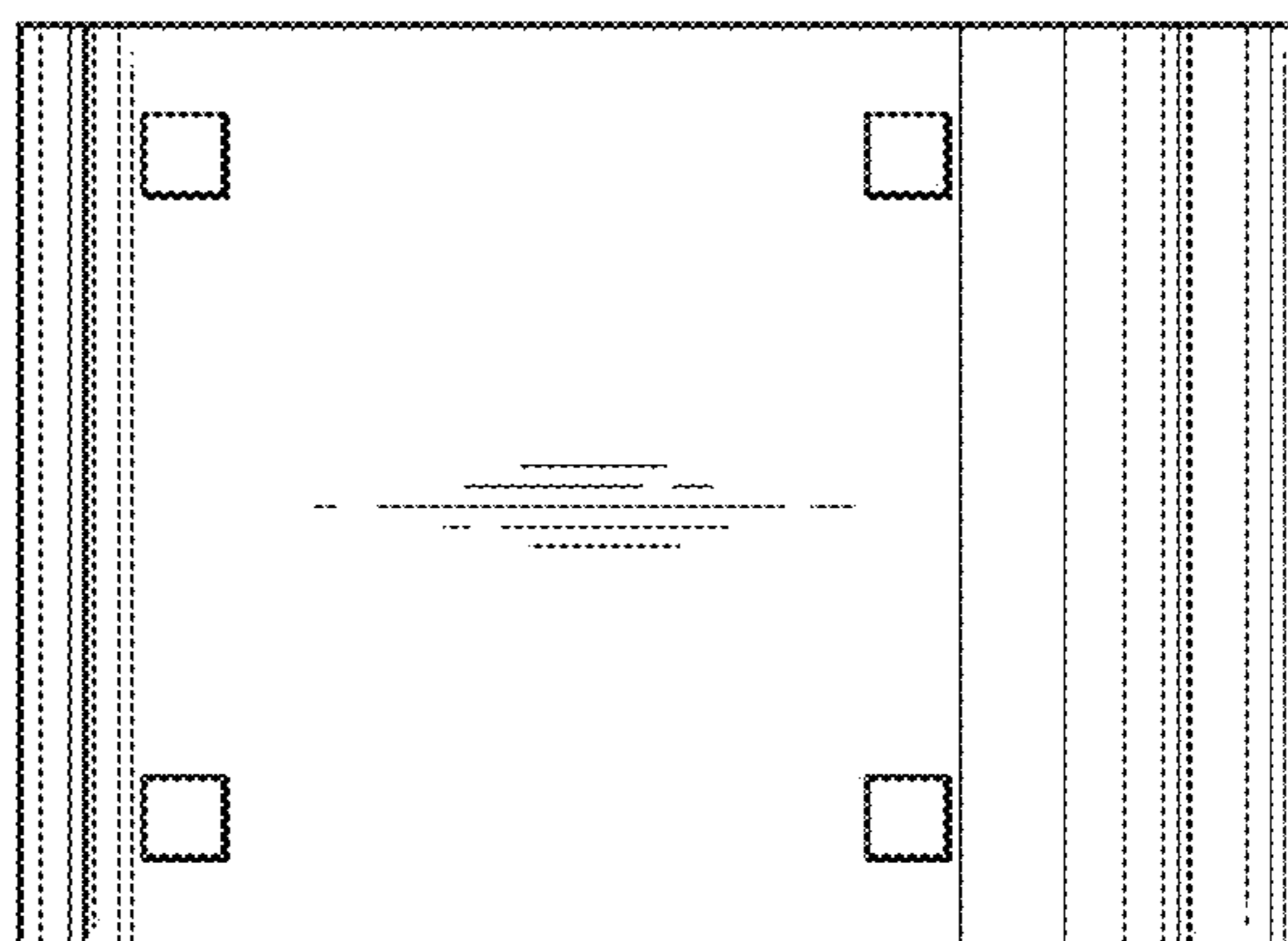


FIG. 7