



US00D751313S

(12) **United States Design Patent**
Palmer

(10) **Patent No.:** **US D751,313 S**
(45) **Date of Patent:** **** Mar. 15, 2016**

(54) **CHAIR**

(71) Applicant: **Benjamin James Palmer**, Sheffield
(NZ)

(72) Inventor: **Benjamin James Palmer**, Sheffield
(NZ)

(**) Term: **14 Years**

(21) Appl. No.: **29/511,177**

(22) Filed: **Dec. 8, 2014**

(30) **Foreign Application Priority Data**

Jun. 9, 2014 (NZ) 418915

(51) **LOC (10) Cl.** **06-01**

(52) **U.S. Cl.**
USPC **D6/371**

(58) **Field of Classification Search**
USPC D6/334-336, 371, 372, 373, 374, 376,
D6/379, 380, 716, 716.1, 716.2, 716.3,
D6/716.4
CPC A47C 4/02; A47C 4/03; A47C 4/025;
A47C 4/027; A47C 4/028; A47C 5/043;
A47C 7/40

See application file for complete search history.

(56) **References Cited**

U.S. PATENT DOCUMENTS

D237,329 S *	10/1975	Vogt et al.	D6/372
D249,205 S *	9/1978	Spencer	D6/373
D275,344 S *	9/1984	Jarry	D6/372
D276,007 S *	10/1984	Jarry	D6/372
D327,990 S *	7/1992	Glendinning	D6/379
D438,398 S *	3/2001	Frinier	D6/379
7,931,339 B1 *	4/2011	Stocker	A47C 7/40 297/440.15
D690,952 S *	10/2013	Becker	D6/374
D731,195 S *	6/2015	Versace	D6/371

* cited by examiner

Primary Examiner — Mimosa De

(74) *Attorney, Agent, or Firm* — Milord A. Keshishian

(57) **CLAIM**

The ornamental design for a chair, as shown and described.

DESCRIPTION

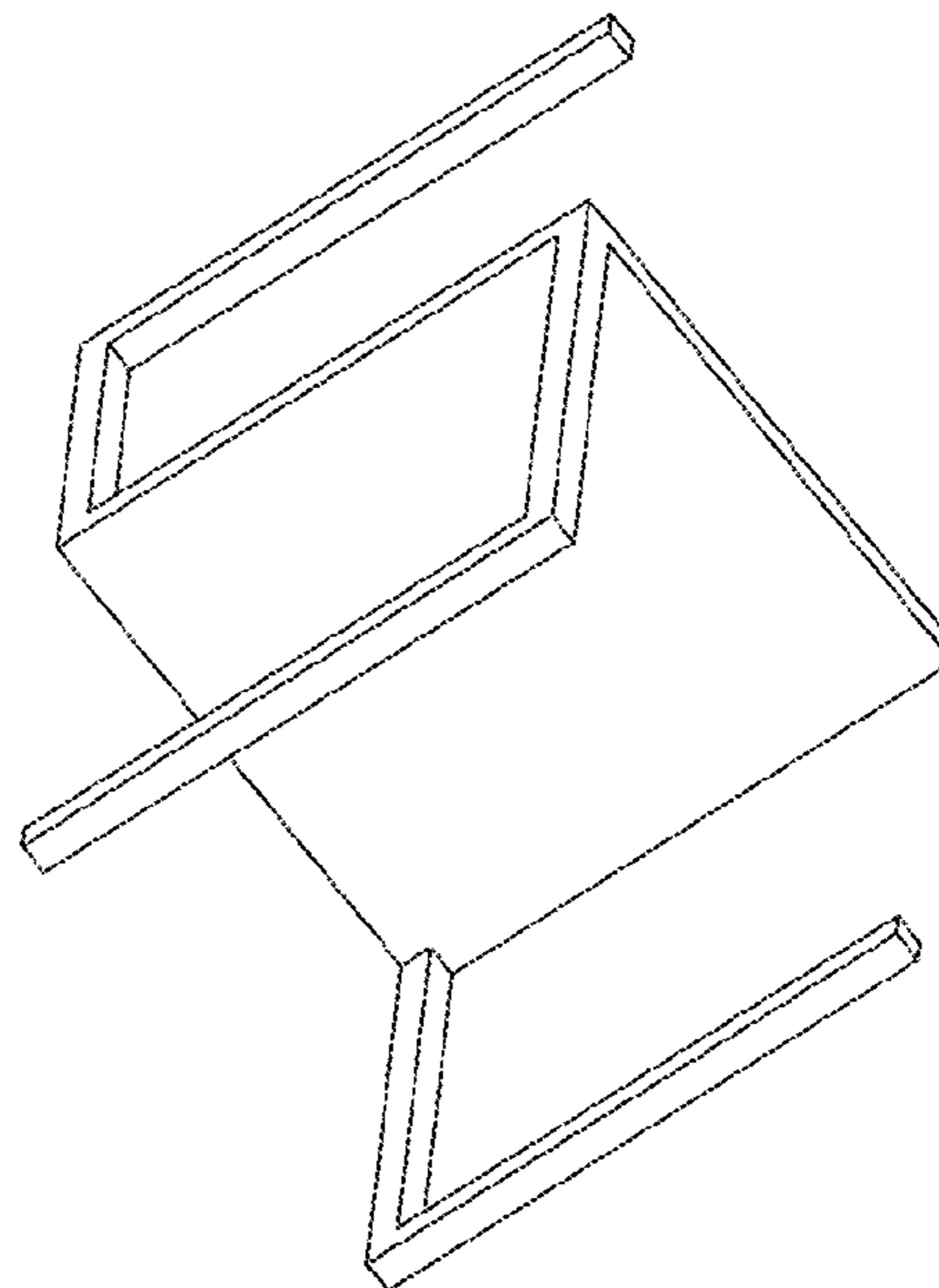
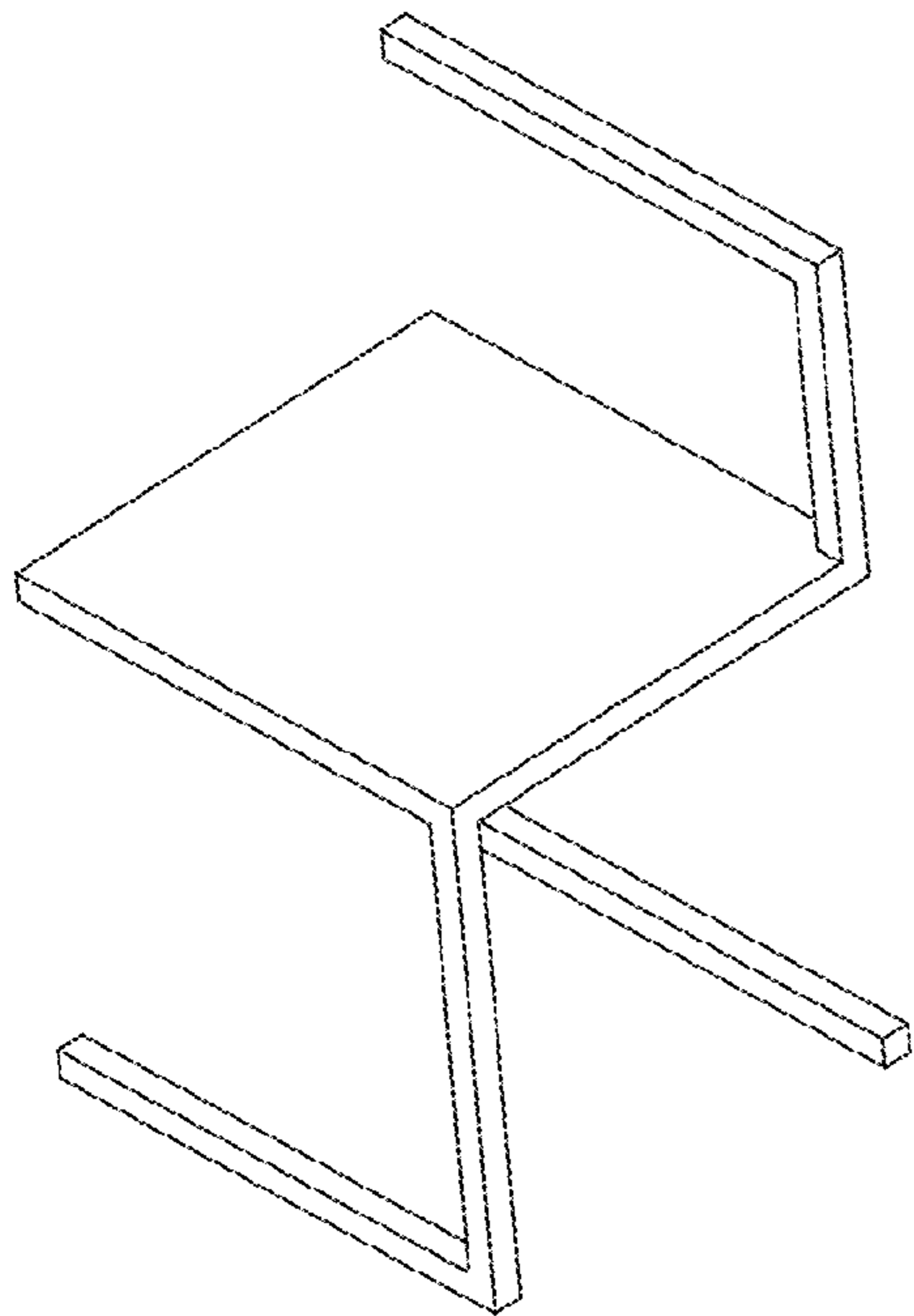
FIG. 1 is a perspective view showing the front and left sides of the chair;

FIG. 2 is a perspective view from the bottom and rear of the chair;

FIG. 3 is a front view thereof; and,

FIG. 4 is a rear view thereof.

1 Claim, 1 Drawing Sheet



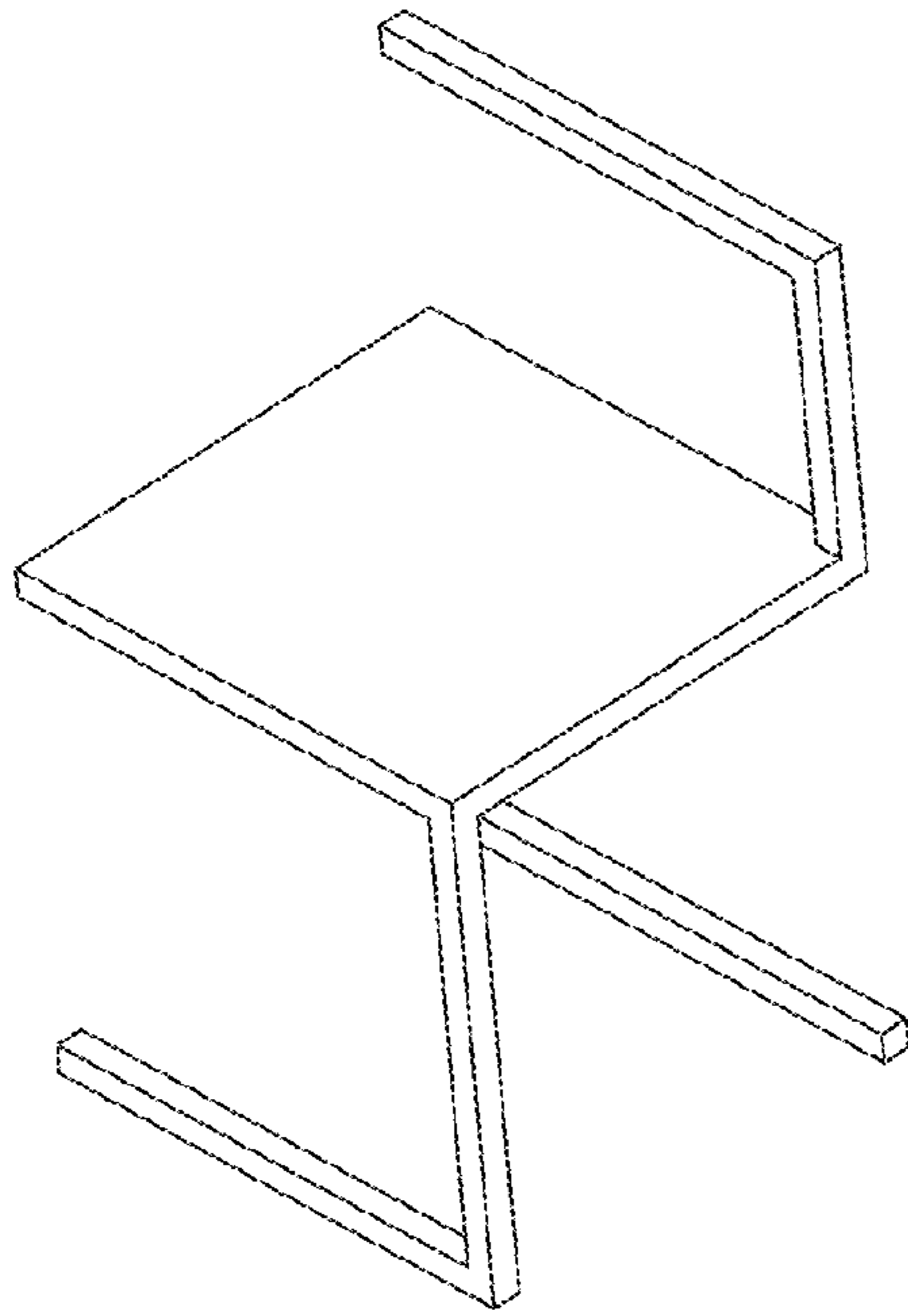


FIG. 1

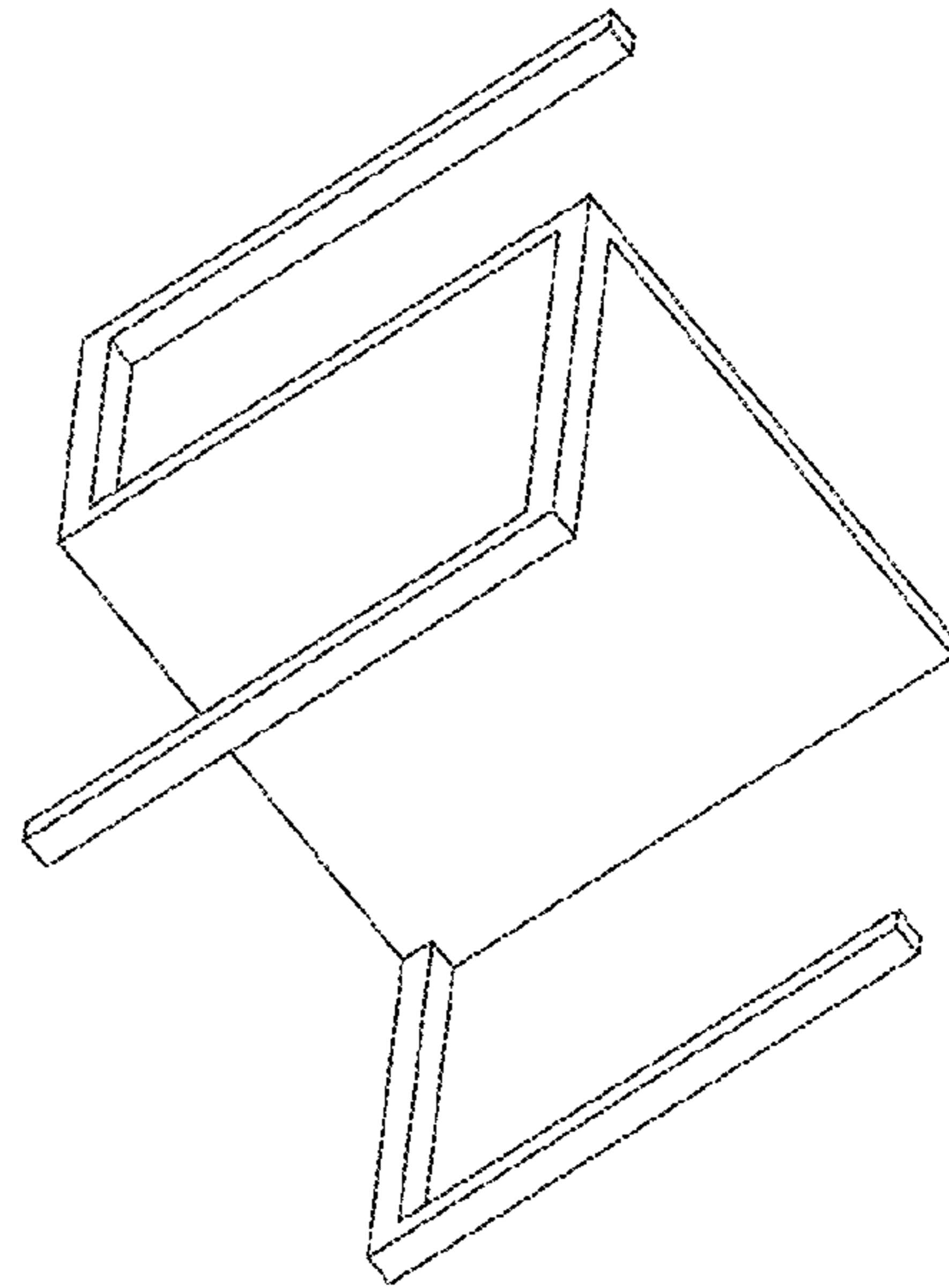


FIG. 2

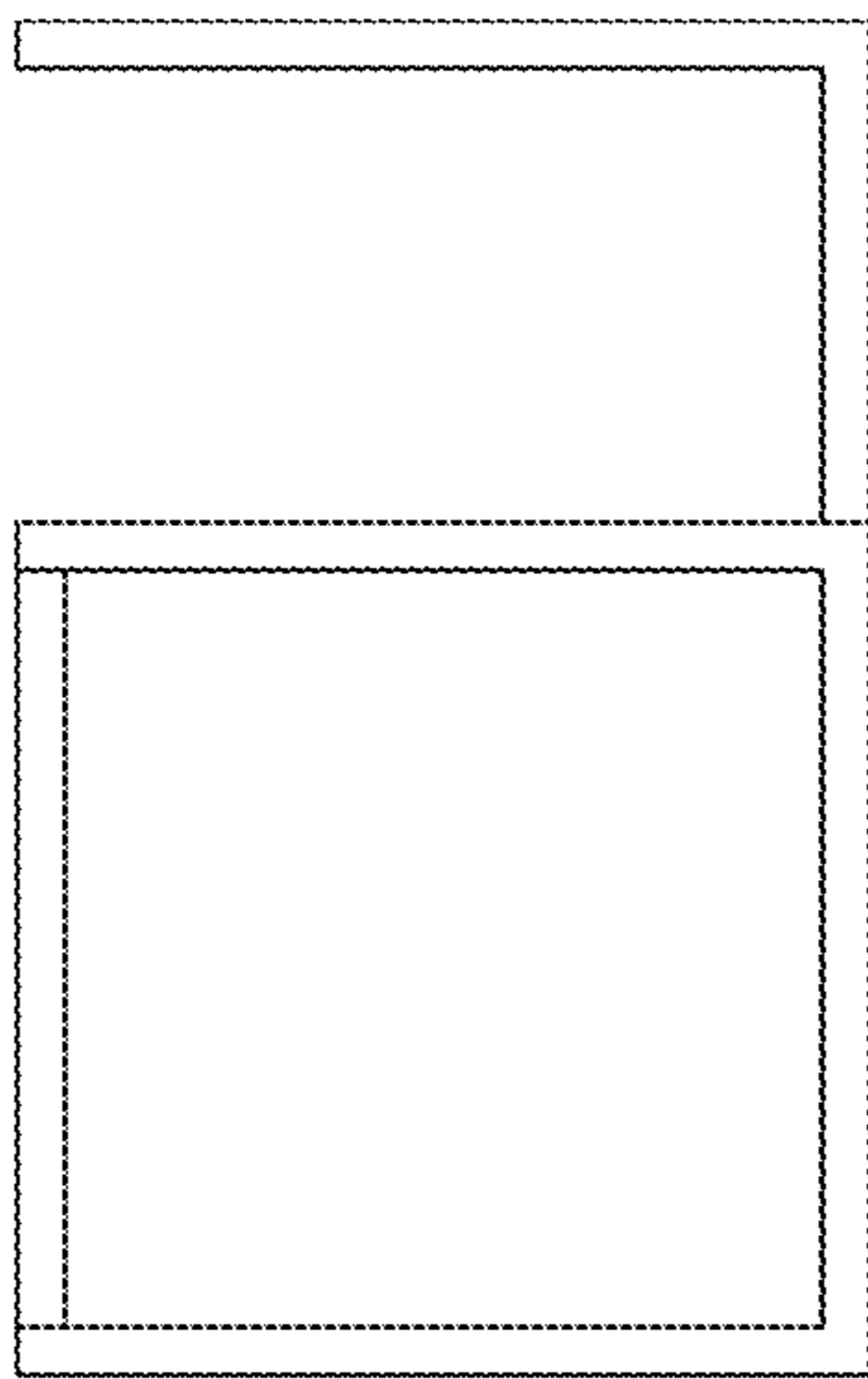


FIG. 3

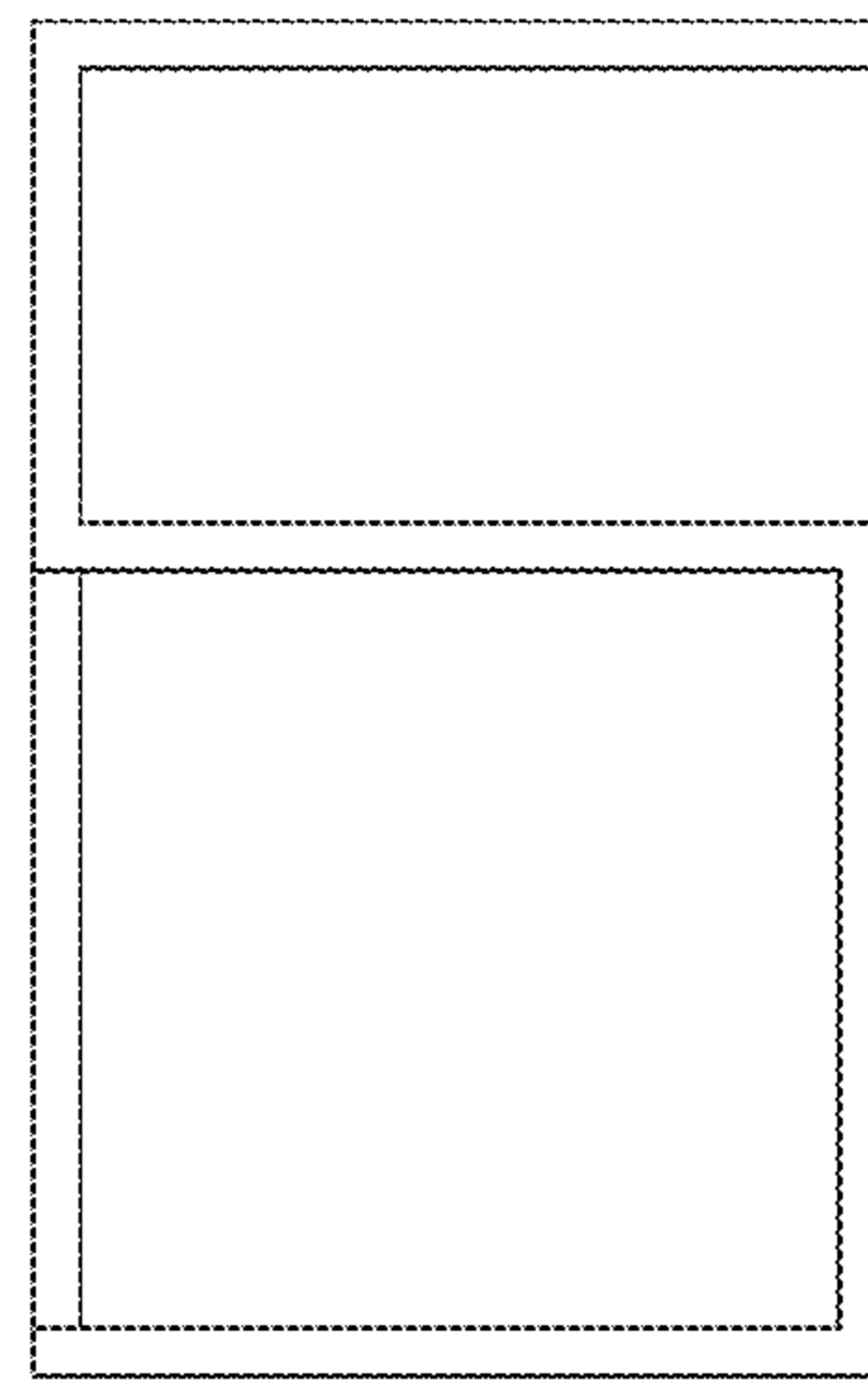


FIG. 4