



US00D751311S

(12) **United States Design Patent**
Schroeder

(10) **Patent No.:** **US D751,311 S**
(45) **Date of Patent:** **** Mar. 15, 2016**

(54) **SOFA**

(71) Applicant: **Minou Farkhondeh**, Duesseldorf (DE)

(72) Inventor: **Olaf Schroeder**, Frankfurt (DE)

(73) Assignee: **Minou Farkhondeh**, Duesseldorf (DE)

(**) Term: **14 Years**

(21) Appl. No.: **29/511,783**

(22) Filed: **Dec. 13, 2014**

(30) **Foreign Application Priority Data**

Jun. 16, 2014 (DE) 40 2014 100 508

(51) **LOC (10) Cl.** **06-01**

(52) **U.S. Cl.**
USPC **D6/364**

(58) **Field of Classification Search**
USPC D6/334–336, 361, 364, 371, 372, 373,
D6/374, 375, 381, 716, 716.1, 716.4
CPC A47C 3/16; A47C 7/50; A47C 7/18;
A47C 7/24; A47C 15/002

See application file for complete search history.

(56) **References Cited**

U.S. PATENT DOCUMENTS

D239,424 S *	4/1976	Offradl	D6/381
D257,454 S *	10/1980	Nash	D6/364
D562,582 S *	2/2008	Hackethal	D6/381
D584,900 S *	1/2009	Hackethal	D6/334
D617,112 S *	6/2010	Tsai	D6/381
D655,100 S *	3/2012	Yeung Ka Fei	D6/371
D686,002 S *	7/2013	Martin	D6/334
D687,235 S *	8/2013	Sage	D6/371

* cited by examiner

Primary Examiner — Mimosa De

(74) *Attorney, Agent, or Firm* — Joyce von Natzmer; Agris & Natzmer LLP

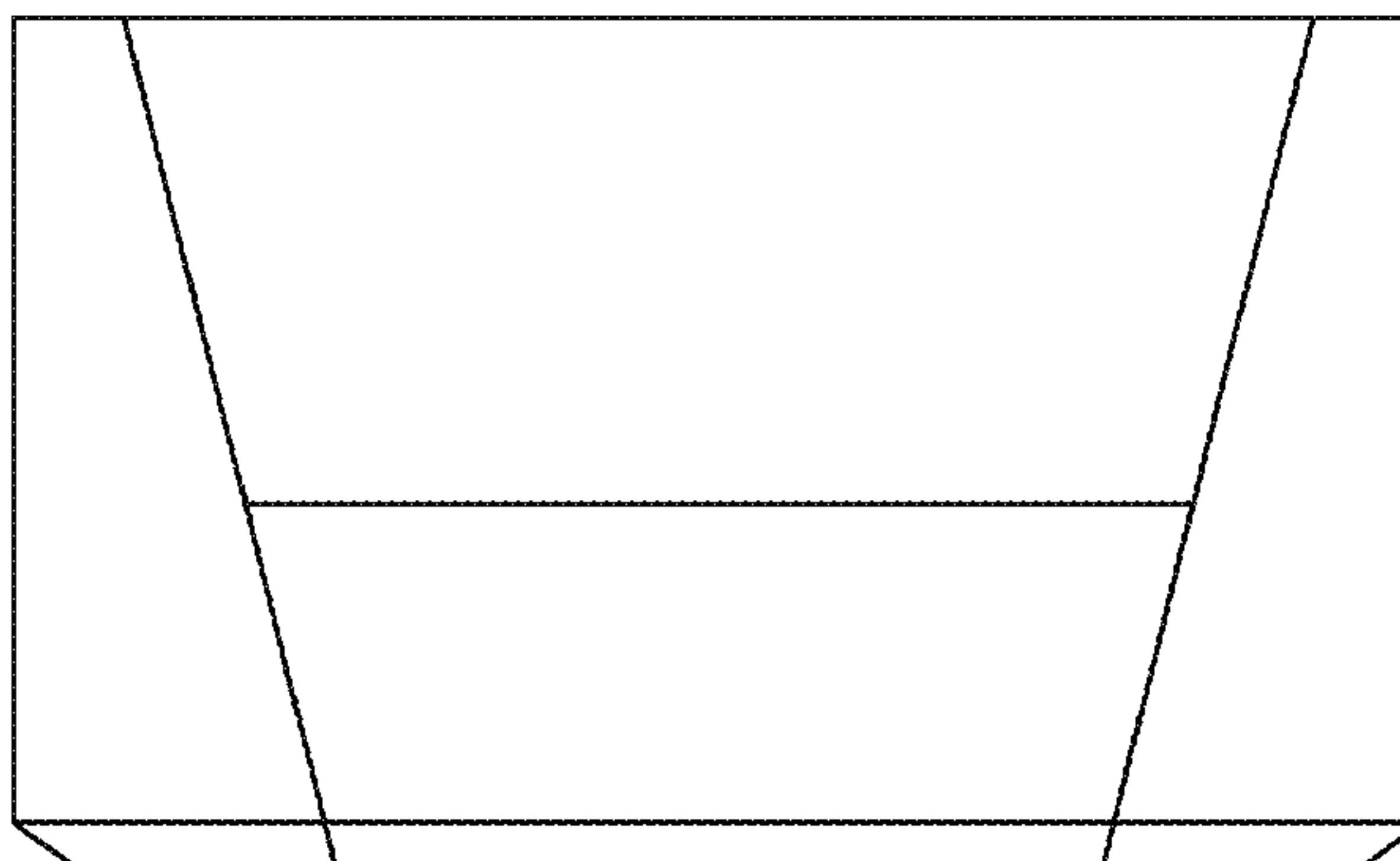
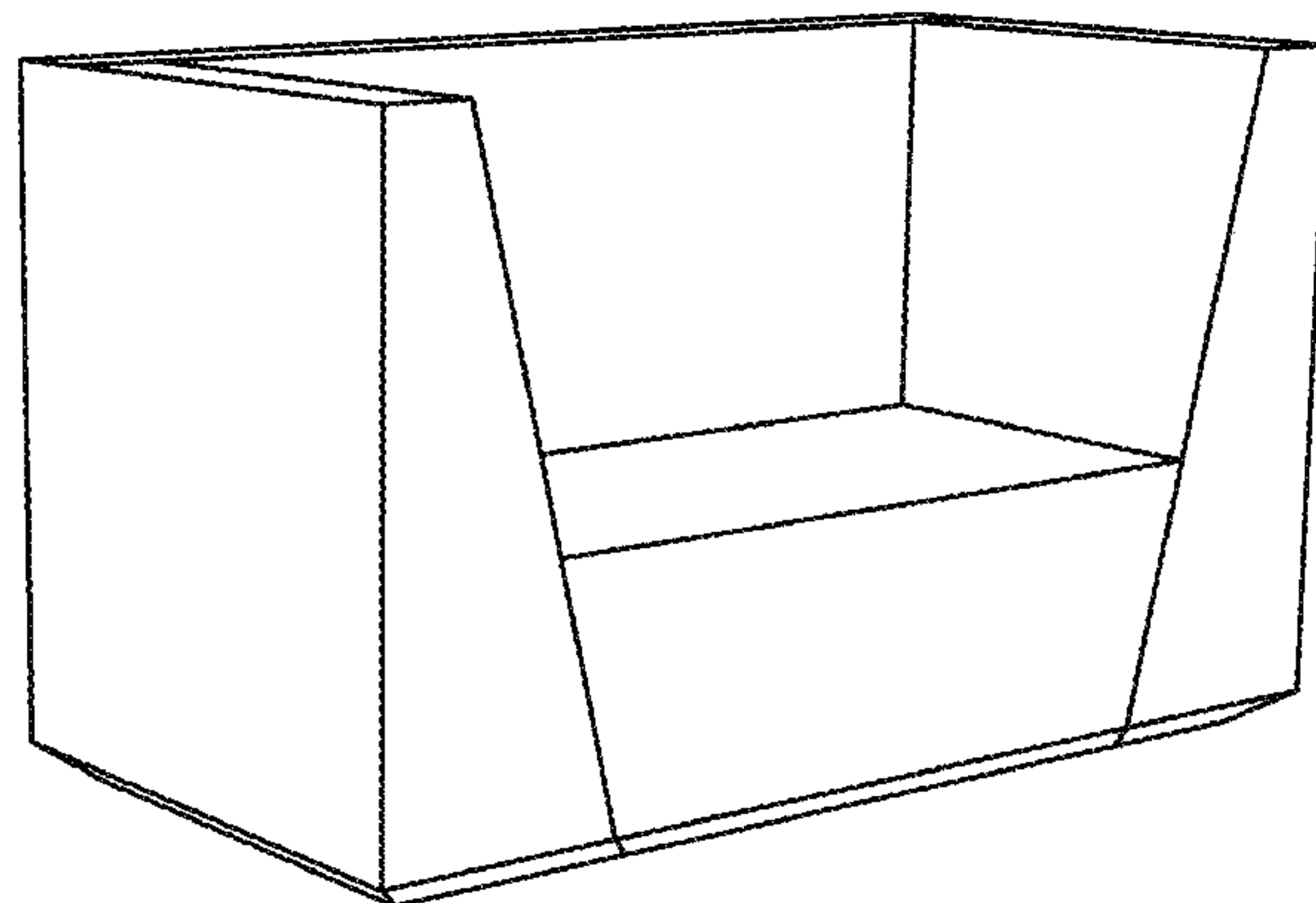
(57) **CLAIM**

I claim the ornamental design for a sofa, as shown and described.

DESCRIPTION

FIG. 1 is a perspective view of a first embodiment of a sofa showing my new design;
FIG. 2 is a front elevation view thereof;
FIG. 3 is a perspective view of a second embodiment of a sofa showing my new design;
FIG. 4 is a front elevation view thereof.
FIG. 5 is a perspective view of a third embodiment of a sofa showing my new design; and,
FIG. 6 is a front elevation view thereof.

1 Claim, 3 Drawing Sheets



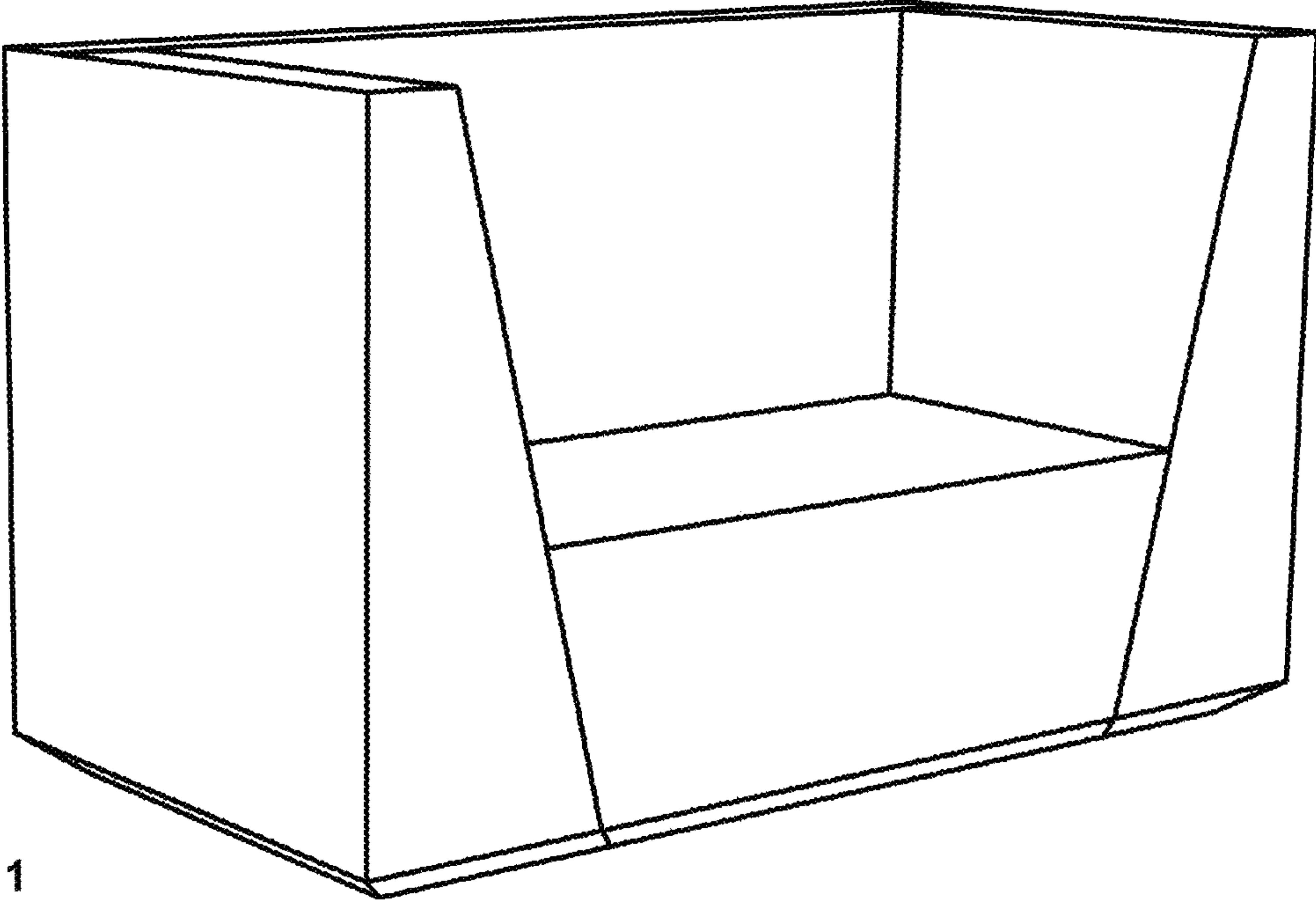


Fig. 1

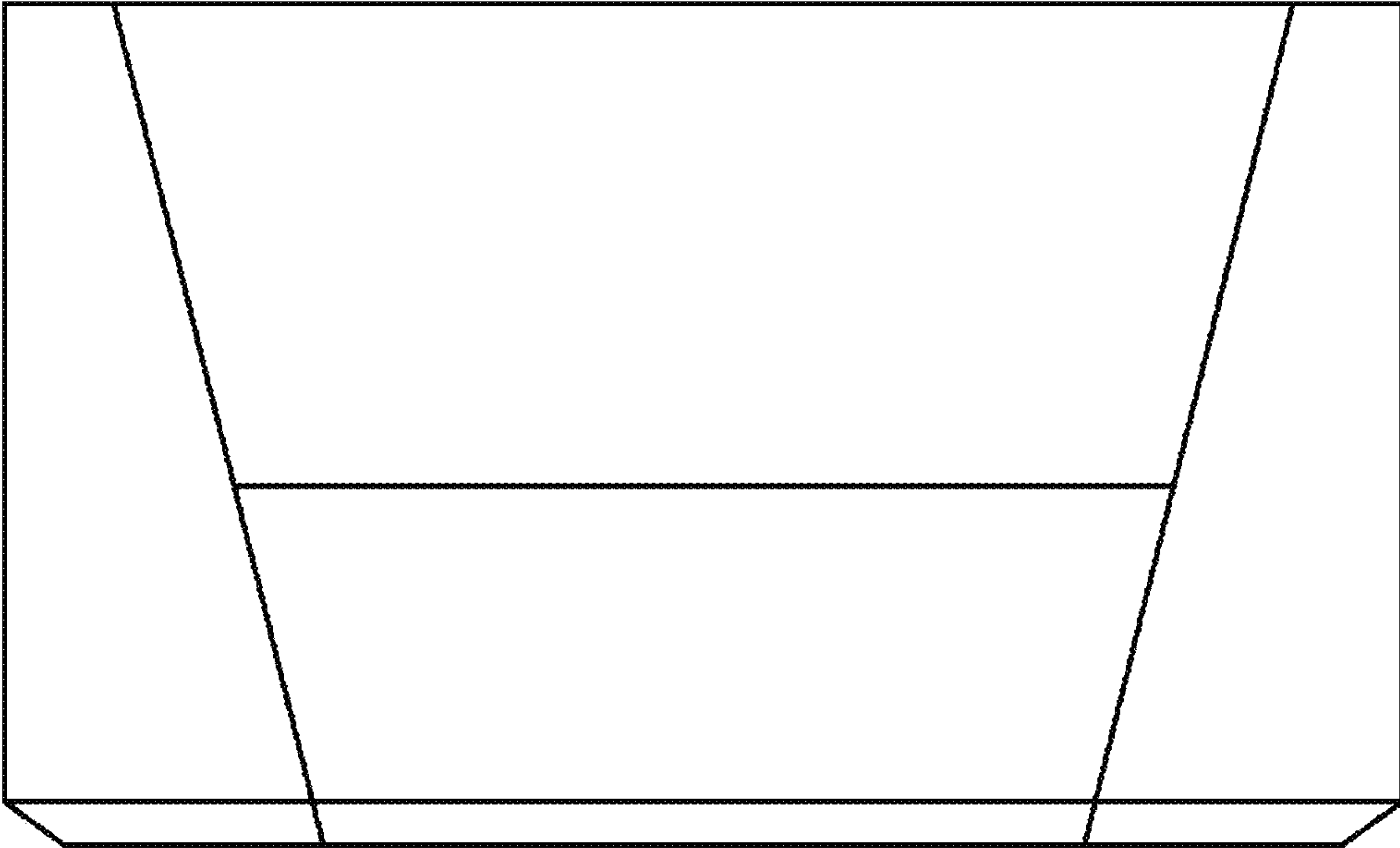


Fig. 2

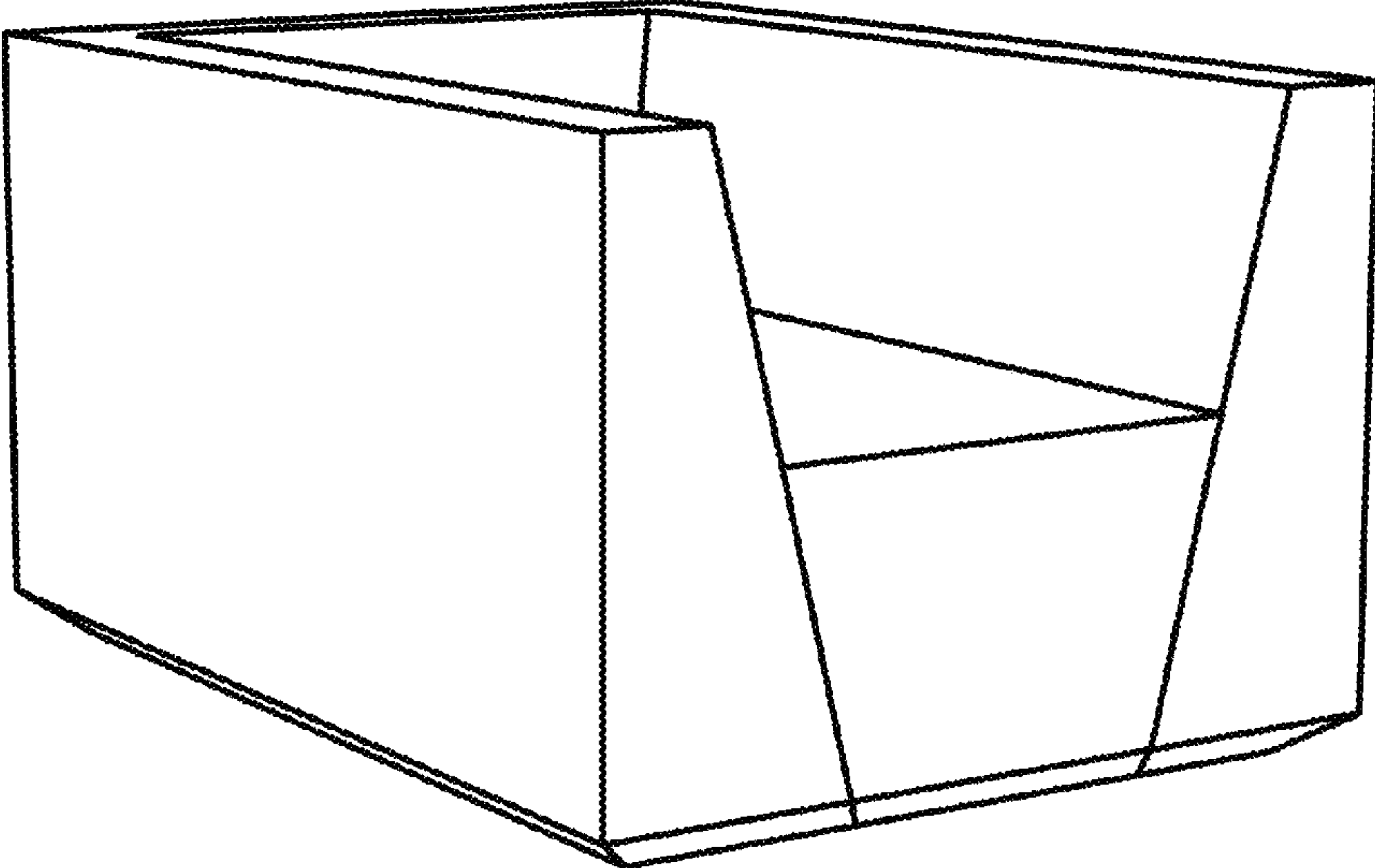


Fig. 3

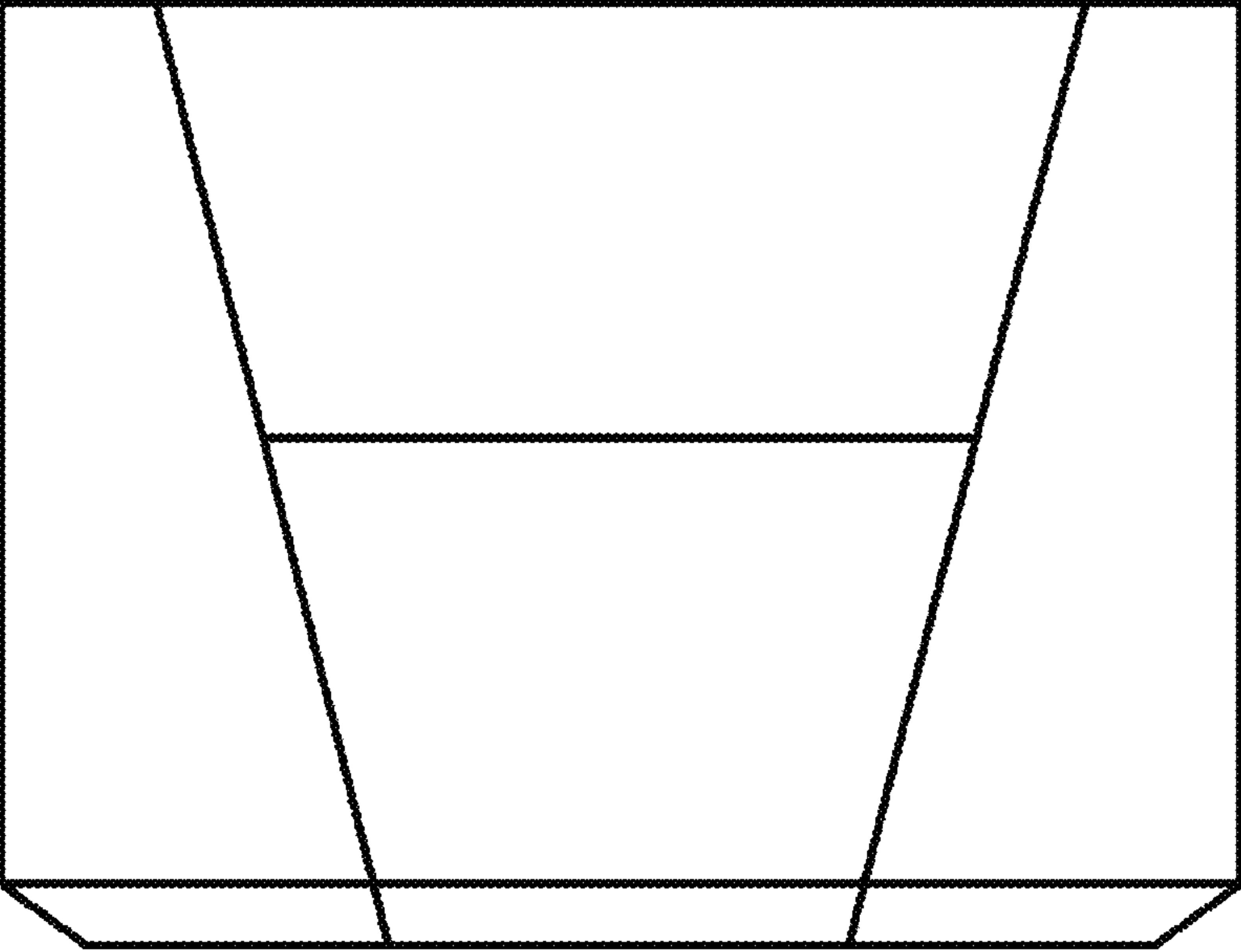


Fig. 4

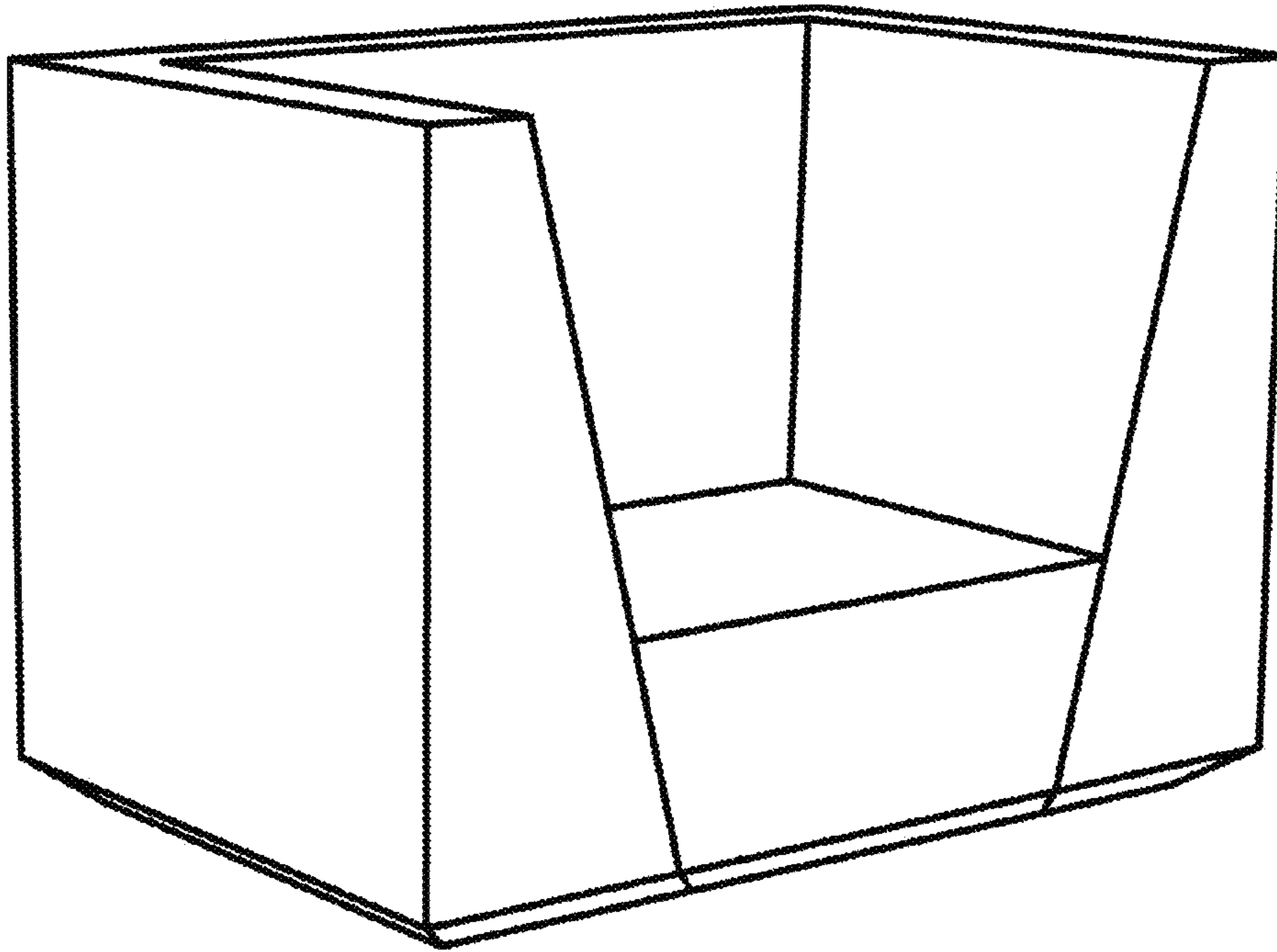


Fig. 5

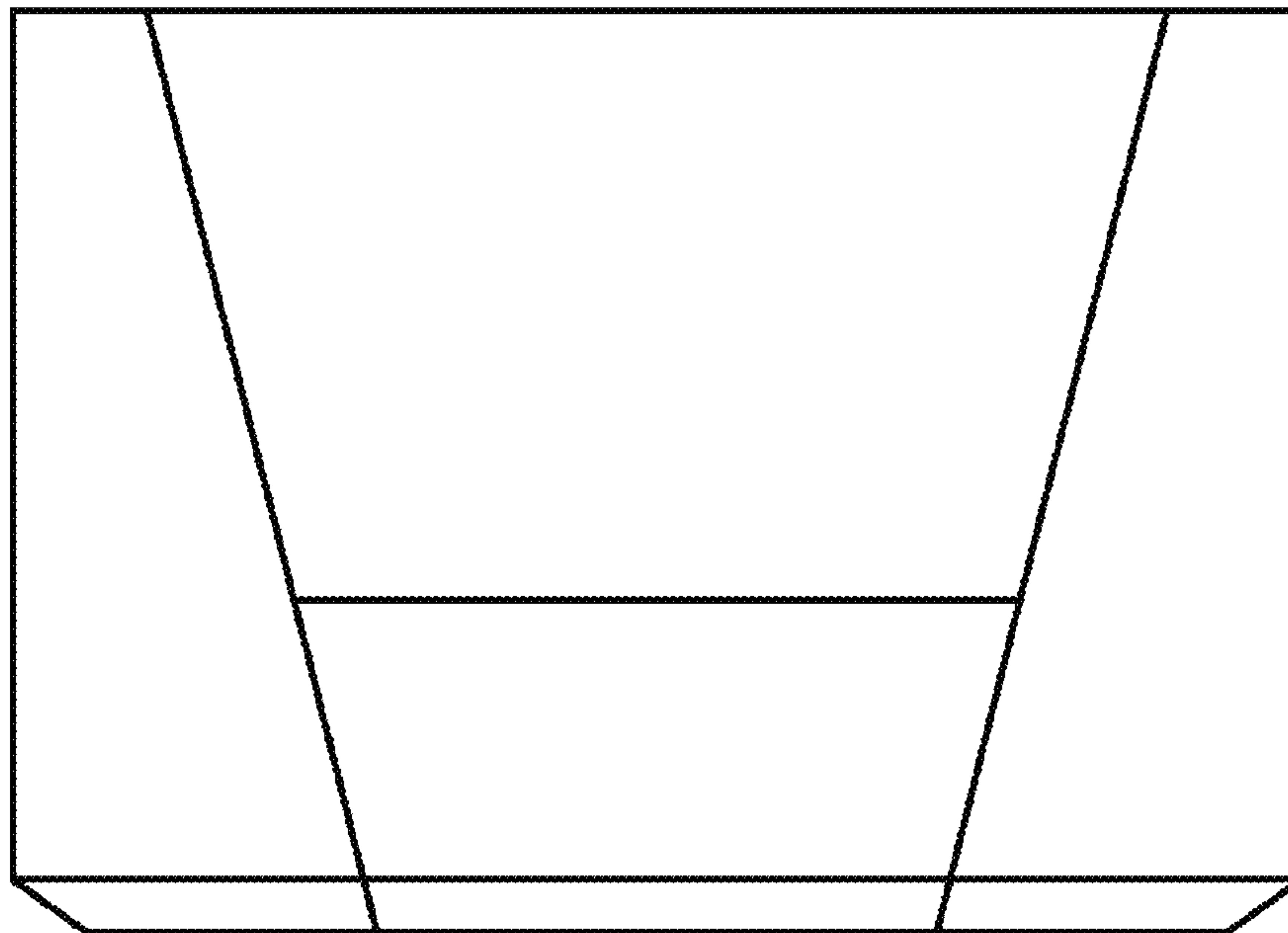


Fig. 6