



US00D751310S

(12) **United States Design Patent**
Schroeder

(10) **Patent No.:** **US D751,310 S**
(45) **Date of Patent:** **** Mar. 15, 2016**

(54) **SOFA**
(71) Applicant: **Minou Farkhondeh**, Duesseldorf (DE)
(72) Inventor: **Olaf Schroeder**, Frankfurt (DE)
(73) Assignee: **Minou Farkhondeh**, Duesseldorf (DE)
(**) Term: **14 Years**
(21) Appl. No.: **29/511,781**
(22) Filed: **Dec. 13, 2014**

(30) **Foreign Application Priority Data**
Jun. 16, 2014 (DE) 40 2014 100 508
(51) **LOC (10) Cl.** **06-01**
(52) **U.S. Cl.**
USPC **D6/364**
(58) **Field of Classification Search**
USPC D6/334-336, 364, 371, 372, 373, 374,
D6/375, 716, 716.1, 716.4
CPC A47C 3/16; A47C 7/50; A47C 7/18;
A47C 7/24; A47C 15/002
See application file for complete search history.

(56) **References Cited**
U.S. PATENT DOCUMENTS
D132,793 S * 6/1942 Reiss D6/364
3,606,461 A * 9/1971 Moriyama A47C 3/16
297/118
3,841,701 A * 10/1974 Sullivan A47C 15/002

297/248
D248,802 S * 8/1978 Iselin D6/364
D249,752 S * 10/1978 Eilersen D6/364
D261,953 S * 11/1981 Aronowitz D6/364
D261,955 S * 11/1981 Aronowitz D6/364
D262,163 S * 12/1981 Aronowitz D6/364
D262,164 S * 12/1981 Aronowitz D6/364
D264,027 S * 4/1982 Aronowitz D6/364
D267,759 S * 2/1983 Krabeepetcharat D6/364
D275,243 S * 8/1984 Tiffany, III D6/364
D544,231 S * 6/2007 Boutin D6/375
D725,396 S * 3/2015 Lee D6/371

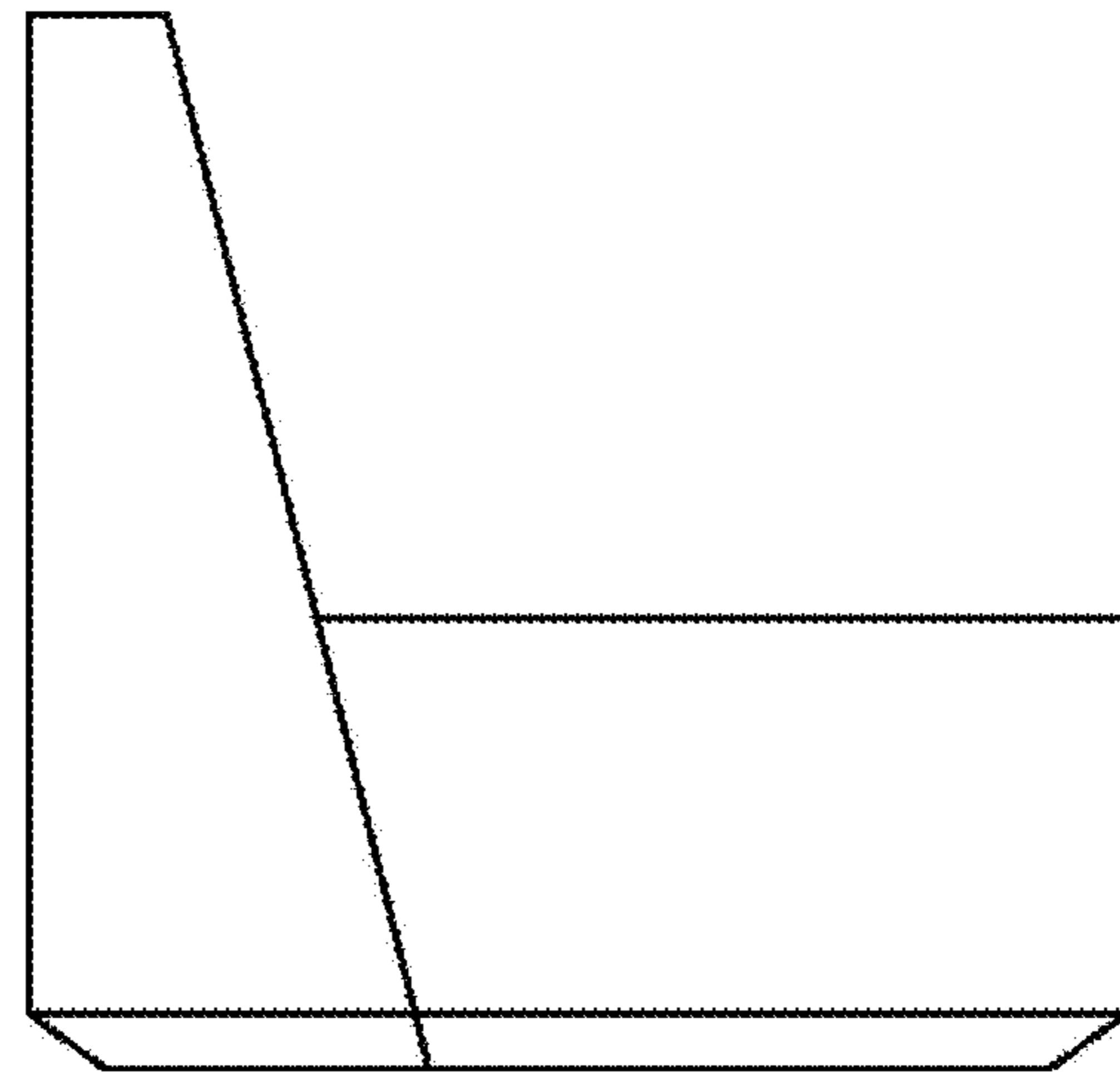
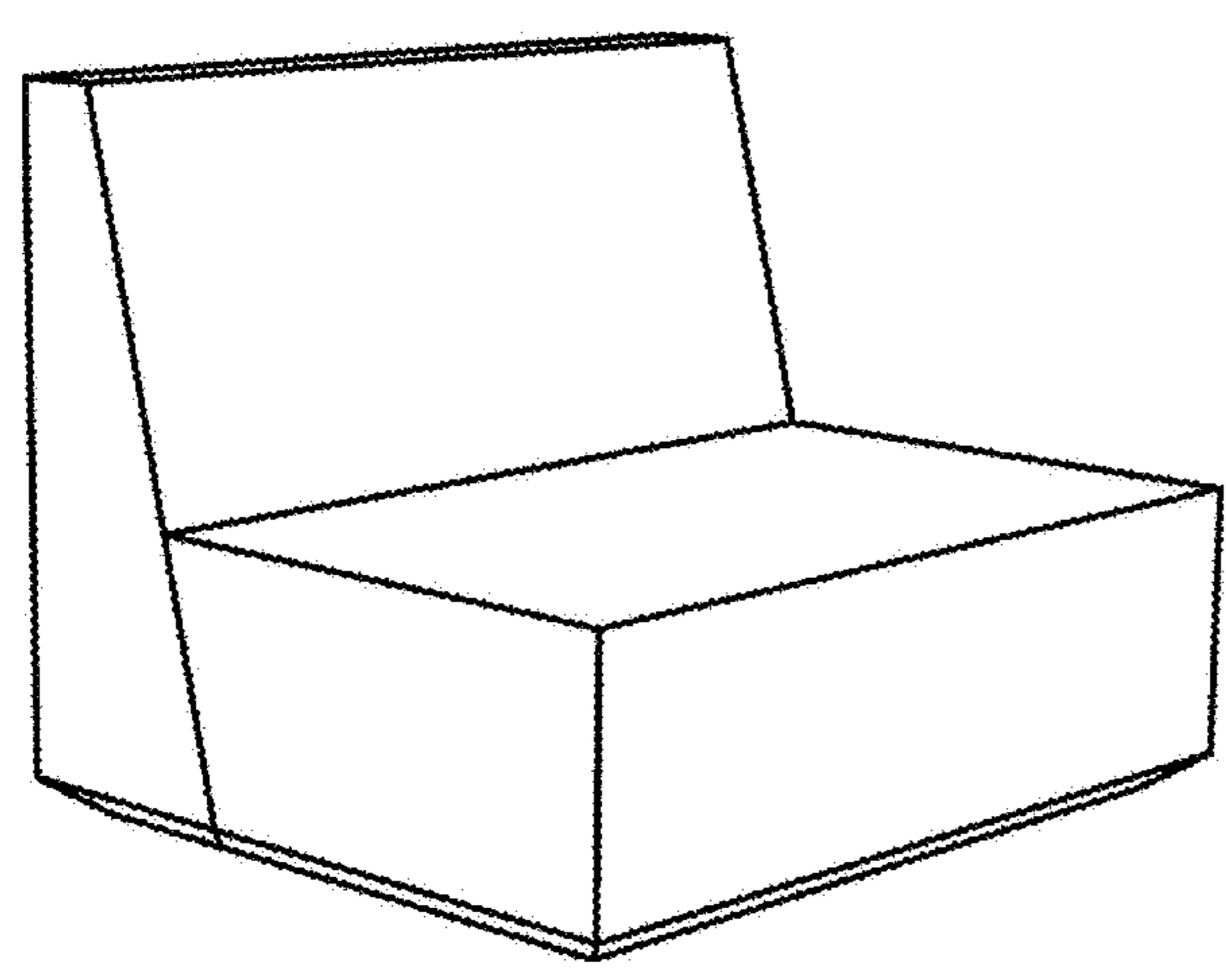
* cited by examiner
Primary Examiner — Mimosa De
(74) *Attorney, Agent, or Firm* — Joyce von Natzmer; Agris & von Natzmer LLP

(57) **CLAIM**
I claim the ornamental design for a sofa, as shown and described.

DESCRIPTION

FIG. 1 is a front perspective view of a first embodiment of a sofa showing my new design;
FIG. 2 is a side elevation view thereof;
FIG. 3 is a front perspective view of a second embodiment of a sofa showing my new design; and,
FIG. 4 is a front elevation view thereof.

1 Claim, 2 Drawing Sheets



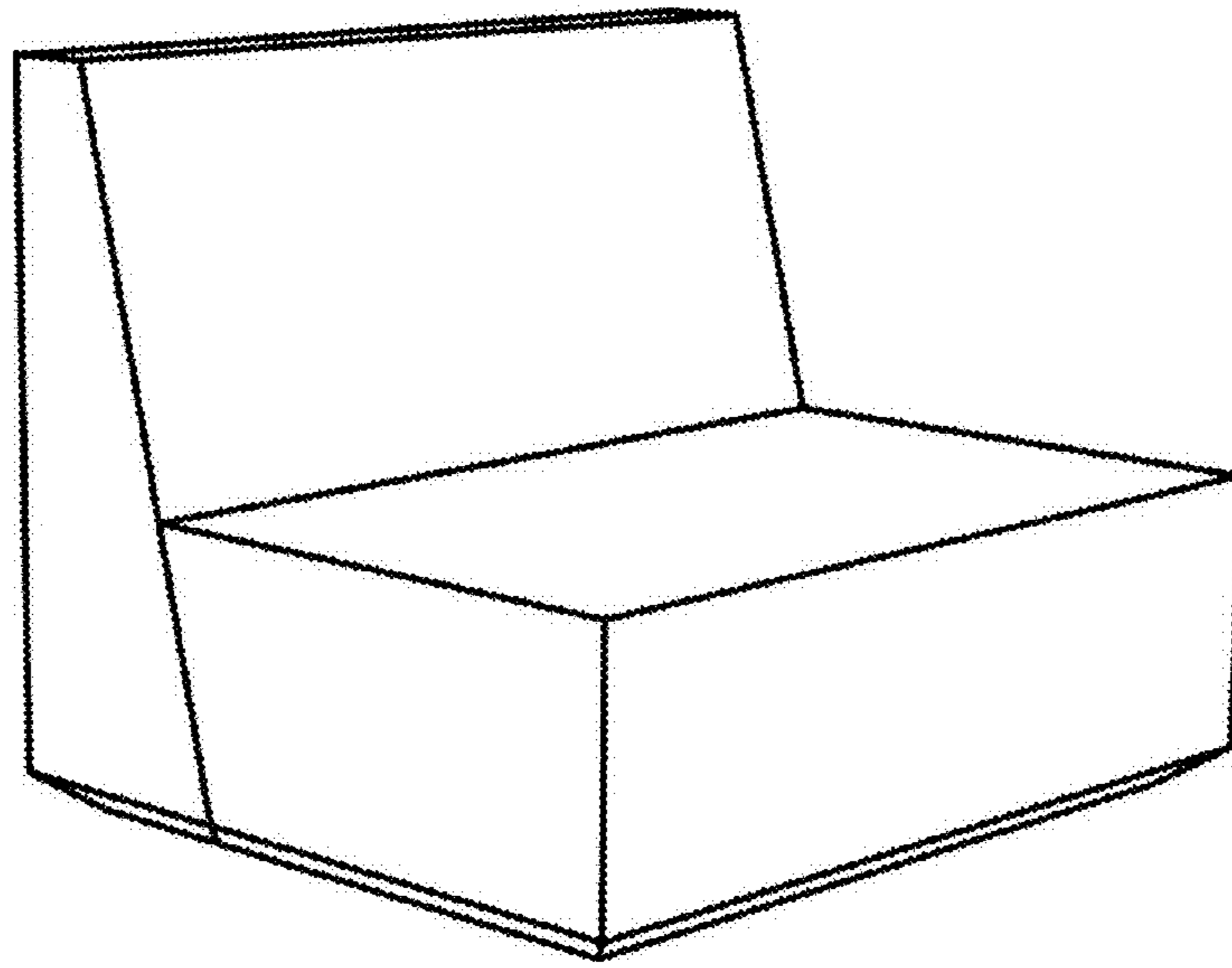


Fig. 1

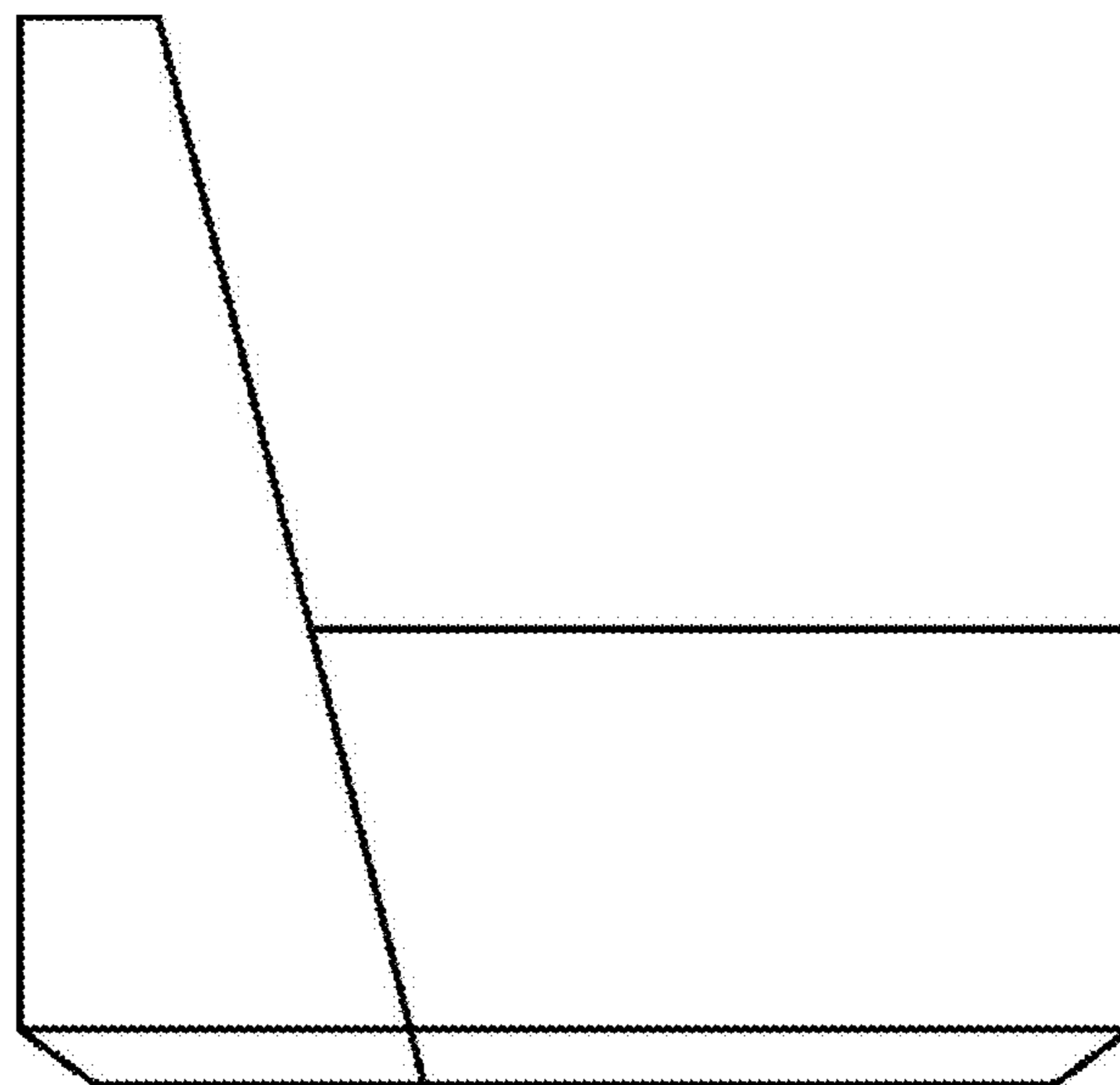


Fig. 2

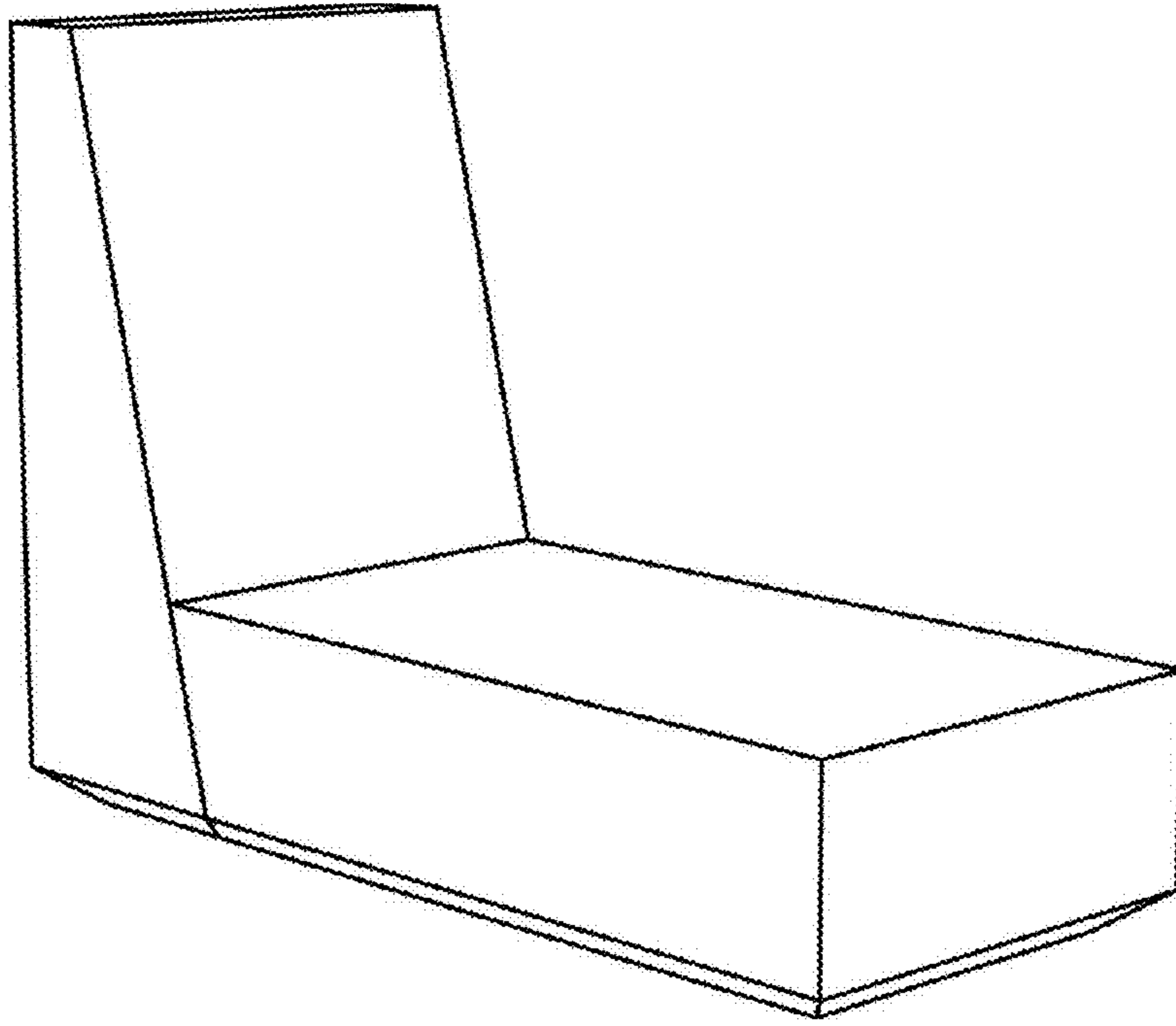


Fig. 3

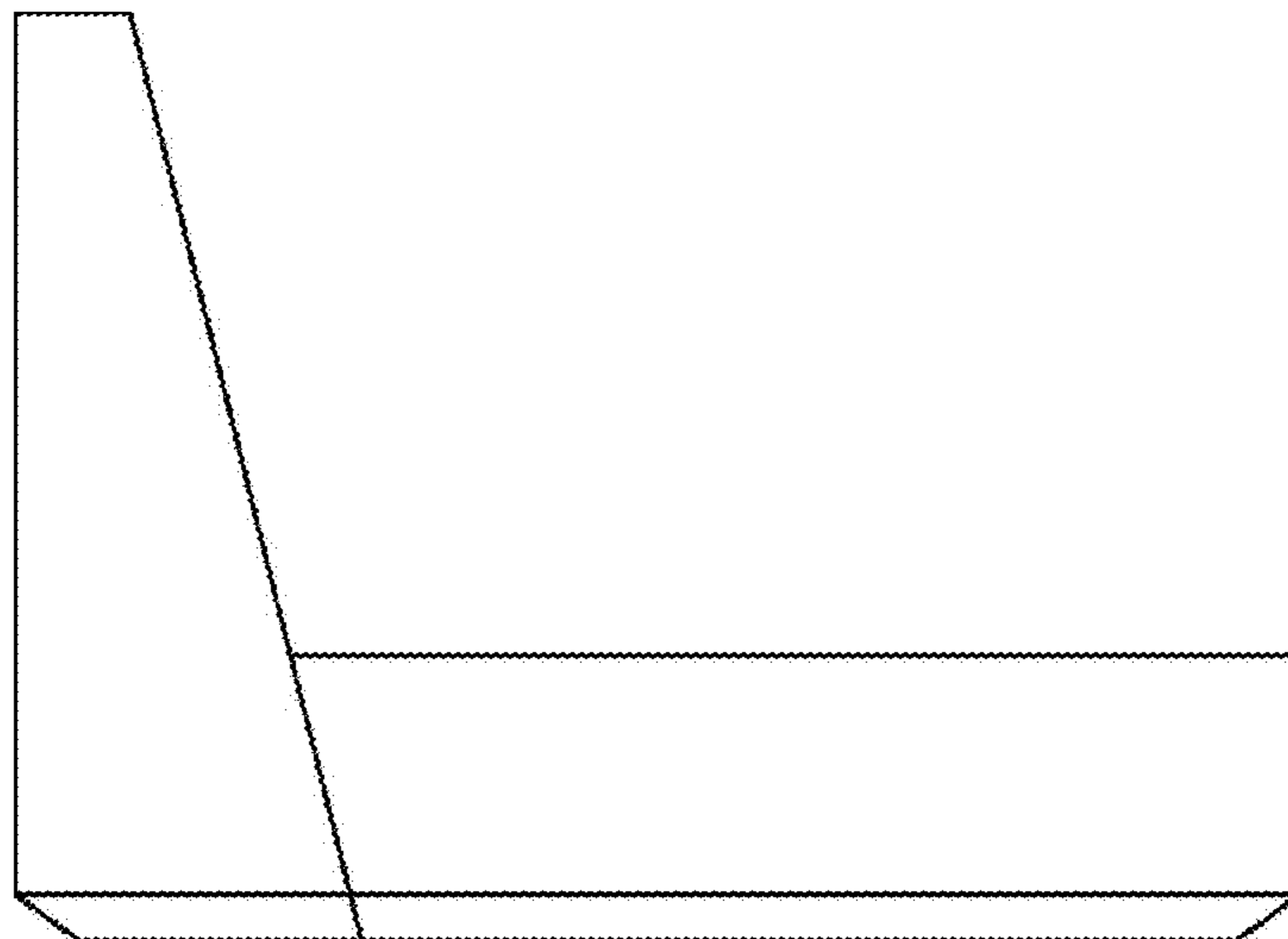


Fig. 4