



US00D751309S

(12) **United States Design Patent**
Habraken

(10) **Patent No.:** **US D751,309 S**
(45) **Date of Patent:** **** Mar. 15, 2016**

(54) **FOLDABLE STOOL**

D460,566 S * 7/2002 Henschel D25/65
(Continued)

(71) Applicant: **Kikkerland Design, Inc.**, New York, NY
(US)

(72) Inventor: **Jan Habraken**, New York, NY (US)

(73) Assignee: **Kikkerland Design, Inc.**, New York, NY
(US)

(**) Term: **14 Years**

(21) Appl. No.: **29/503,598**

(22) Filed: **Sep. 27, 2014**

(51) **LOC (10) Cl.** **06-01**

(52) **U.S. Cl.**
USPC **D6/353**; D25/65

(58) **Field of Classification Search**
USPC D6/333, 335, 340, 344, 347, 349-355,
D6/358, 360, 362-365, 381, 406.6, 563,
D6/564, 588, 589, 597, 598, 601, 688, 692,
D6/716, 716.1; D25/62-65

CPC A47C 1/14; A47C 3/00; A47C 3/04;
A47C 3/14; A47C 3/16; A47C 3/18; A47C
3/20; A47C 3/36; A47C 4/00; A47C 4/03;
A47C 4/28; A47C 4/30; A47C 4/38; A47C
4/42; A47C 4/48; A47C 5/02; A47C 5/04;
A47C 5/043; A47C 7/00-7/006; A47C 7/02;
A47C 9/00; A47C 9/02; A47C 9/002; A47C
9/007; A47C 9/0025; A47C 9/10; A47C
11/00; A47C 12/00; A47C 13/00; A47C
16/02; A47B 7/00-7/02; A47B 45/00; A47B
47/04-47/045; A47B 3/00; A47B 3/02;
A47B 3/04; A47B 3/12

See application file for complete search history.

(56) **References Cited**

U.S. PATENT DOCUMENTS

4,630,861 A * 12/1986 Henschel A47C 4/08
108/124

OTHER PUBLICATIONS

Foot Stool Fodable. [online] Retrieved Nov. 13, 2015 from URL:
<<http://www.aliexpress.com/item/Home-Kitchen-Garden-Beige-Plastic-Multi-Purpose-Folding-Step-Foot-Stool-Foldable-Portable-Mini-Table-Chair/32297559732.html>>.*

(Continued)

Primary Examiner — Susan Bennett Hattan

Assistant Examiner — Vy Koenig

(74) *Attorney, Agent, or Firm* — Charles H. Jew

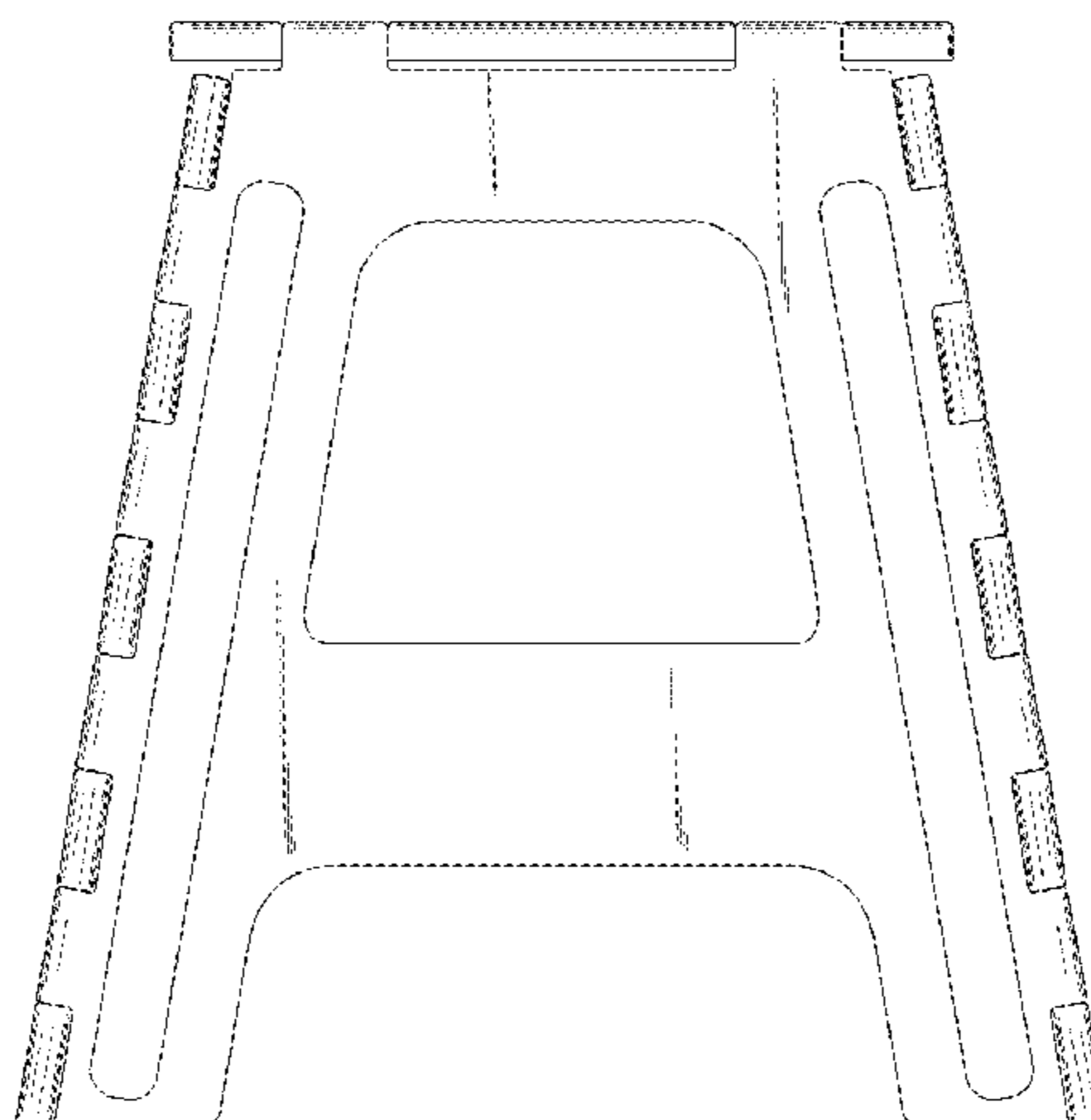
(57) **CLAIM**

The ornamental design for a foldable stool, as shown and described.

DESCRIPTION

FIG. 1 is a front elevational view of the foldable stool in an open position showing my design;
FIG. 2 is a rear elevational view in an open position;
FIG. 3 is a right side elevational view an open position;
FIG. 4 is a left side elevational view an open position;
FIG. 5 is a top plan view in an open position;
FIG. 6 is a bottom plan view in an open position;
FIG. 7 is a front perspective view in an open position;
FIG. 8 is a top plan view in a folded position;
FIG. 9 is a bottom plan view in a folded position;
FIG. 10 is a left side elevational view in a folded position;
FIG. 11 is a right side elevational view in a folded position;
FIG. 12 is a front elevational view in a folded position;
FIG. 13 is a rear elevational view in a folded position; and,
FIG. 14 is a front perspective view in a folded position.
The broken lines shown in FIG. 6 depict portions of the foldable stool that form no part of the claimed design.

1 Claim, 6 Drawing Sheets



(56)

References Cited

OTHER PUBLICATIONS

U.S. PATENT DOCUMENTS

D554,875 S *	11/2007	Emert	D6/353
D577,833 S *	9/2008	Eveleth	D25/65
D586,923 S *	2/2009	Eveleth	D25/65
D609,927 S *	2/2010	Floer	D6/350
D615,667 S *	5/2010	Dunn	D25/65
D639,080 S	6/2011	van der Lande	
D644,032 S *	8/2011	Eveleth	D6/353
D668,070 S *	10/2012	Kim	D6/353
D707,975 S	7/2014	Habraken	

Folding Step Stool. [online] Retrieved Nov. 13, 2015 from URL:

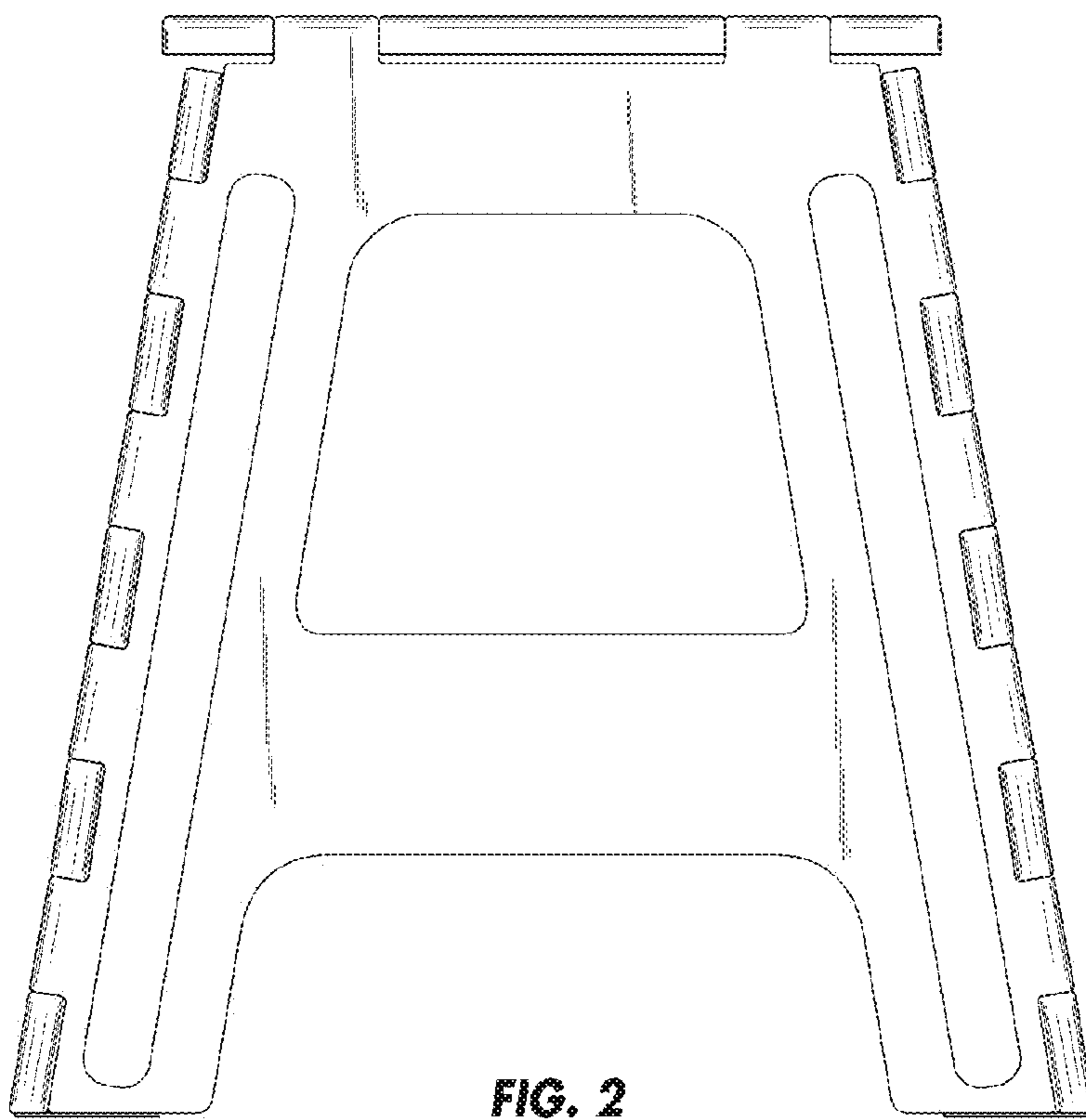
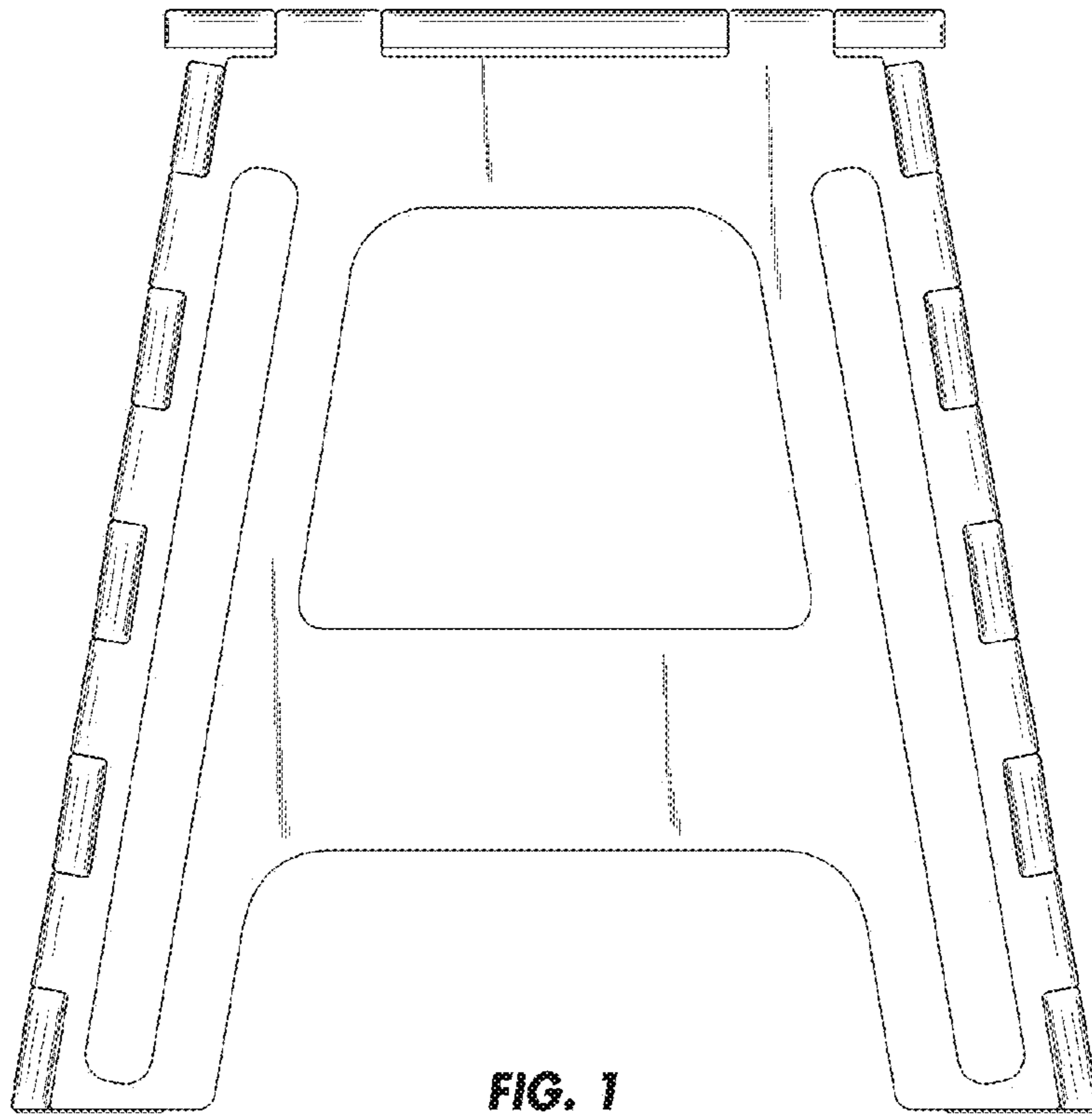
<<http://www.mileskimball.com/buyfoldingstepstool311826>>.*

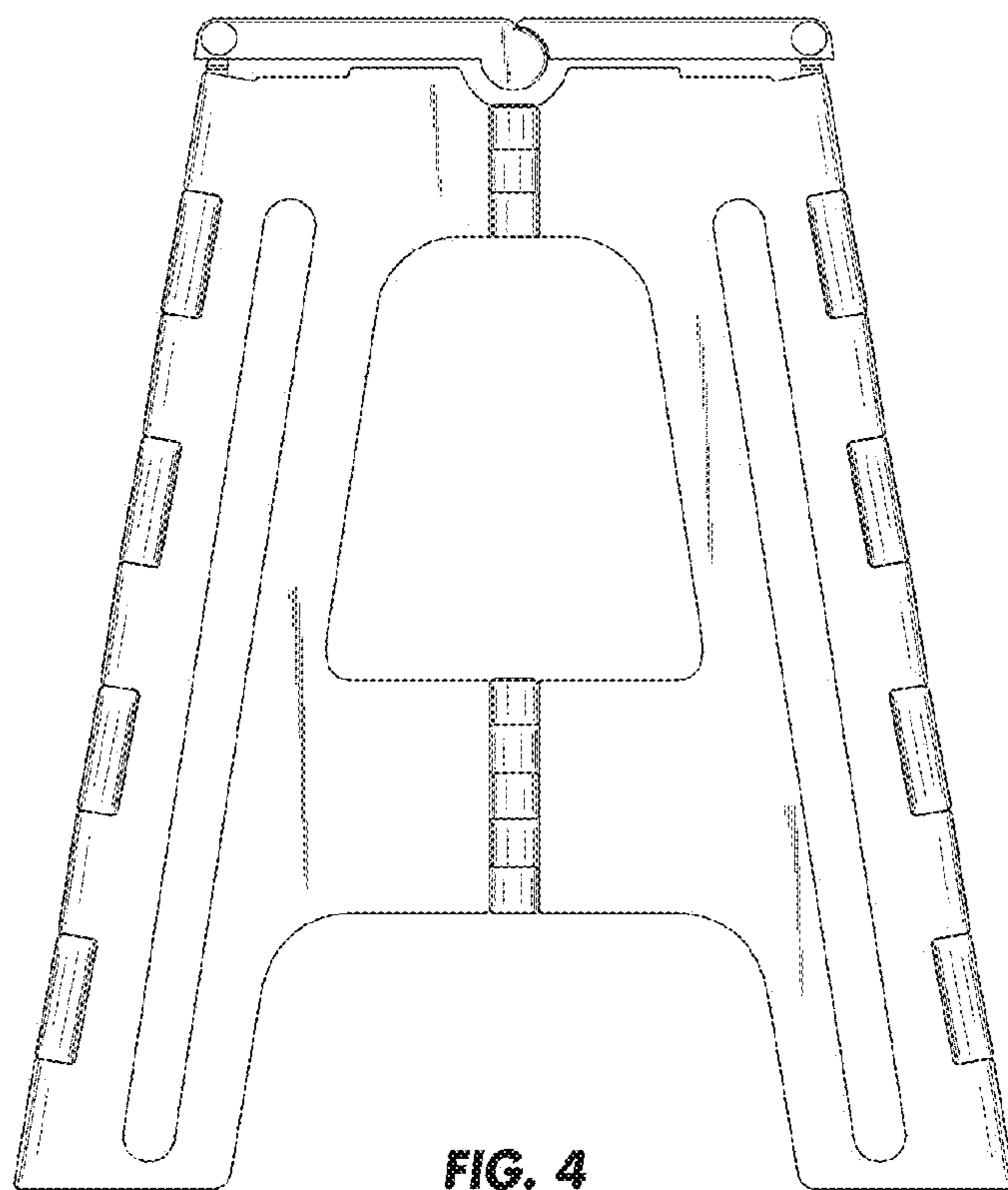
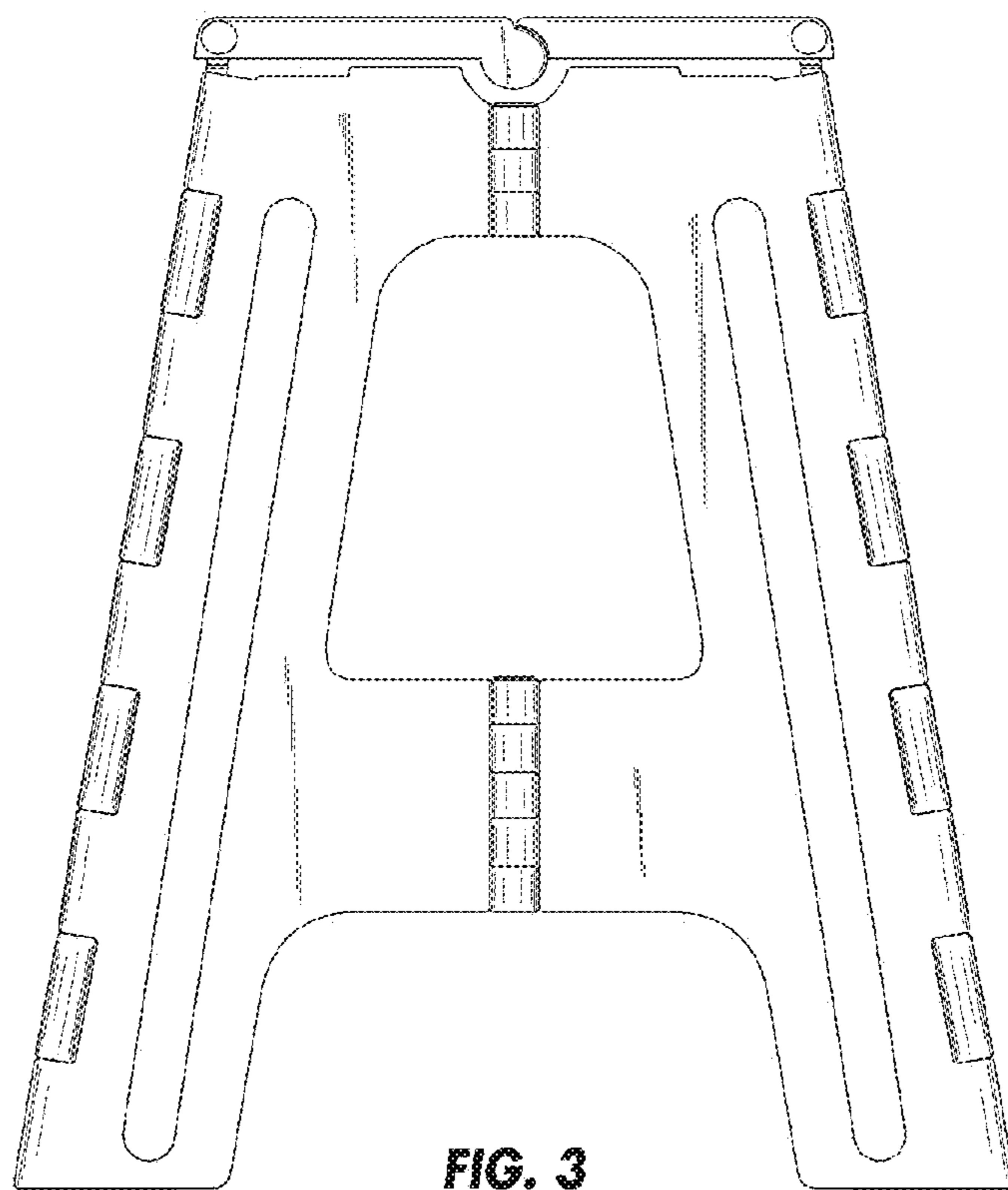
Step Stool Folding Tall Black. [online] Retrieved Nov. 13, 2015 from

URL: <[http://www.kikkerland.com/products/](http://www.kikkerland.com/products/stepstoolfoldingtallblack/)

[stepstoolfoldingtallblack/](http://www.kikkerland.com/products/stepstoolfoldingtallblack/)>.*

* cited by examiner





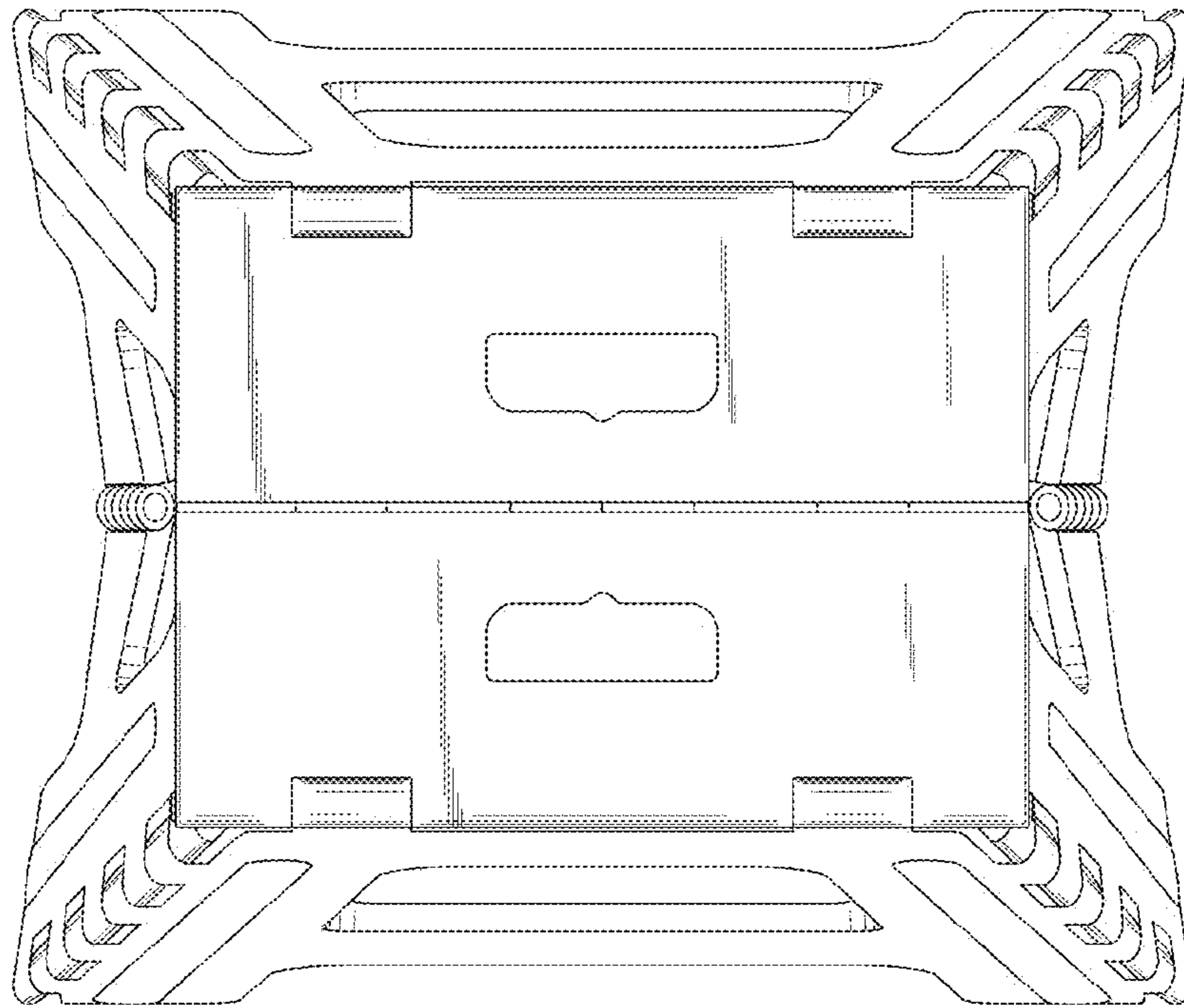


FIG. 5

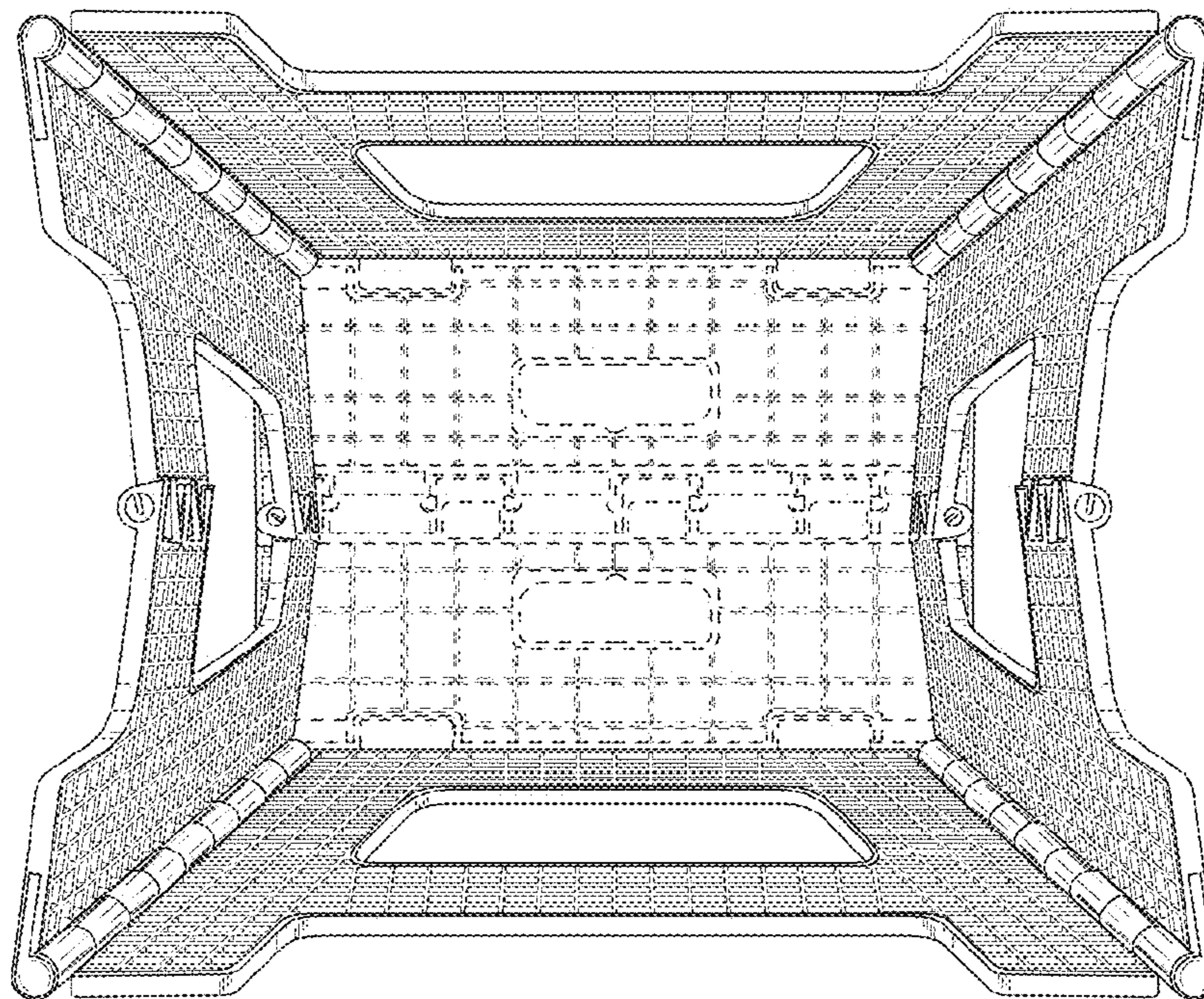


FIG. 6

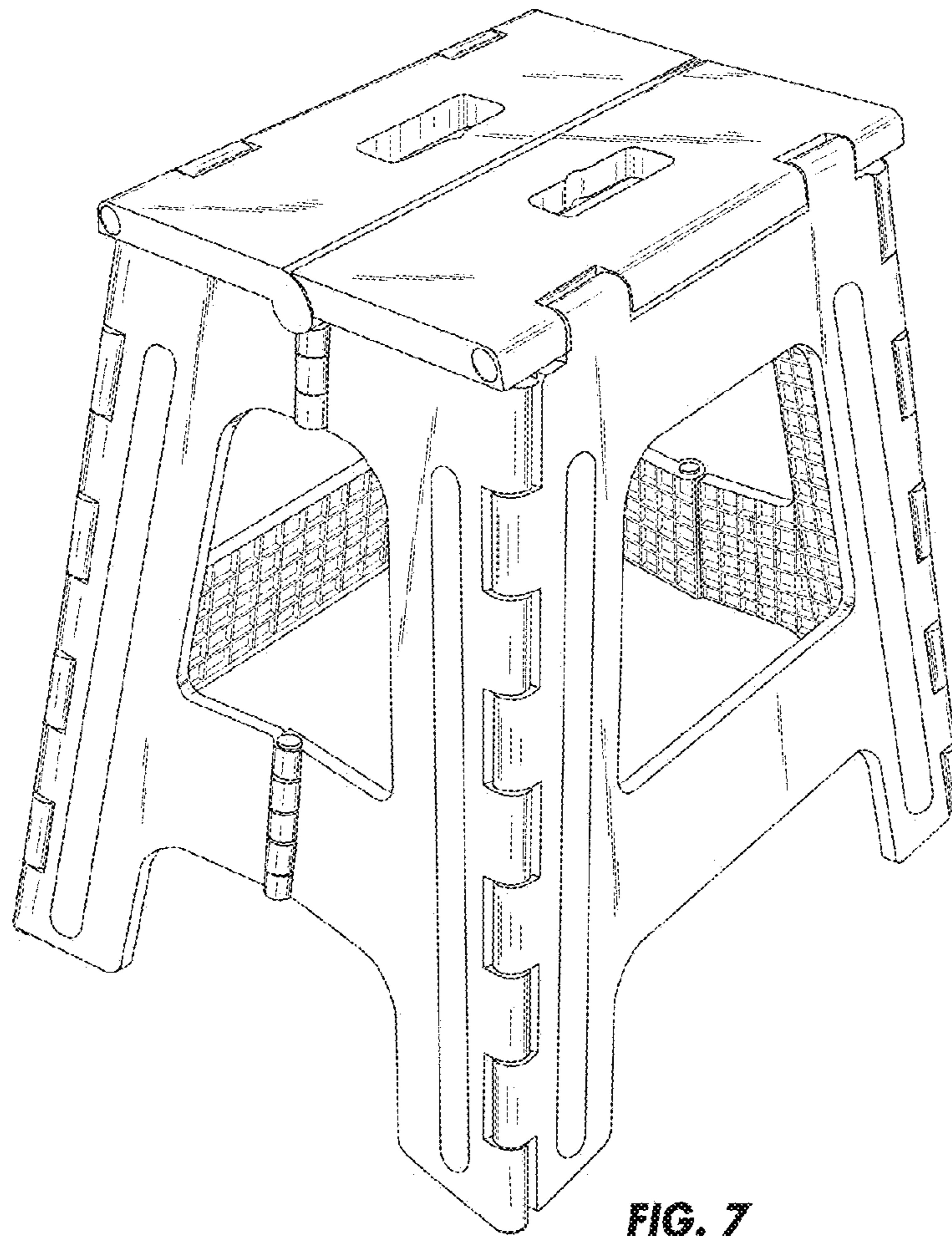


FIG. 7

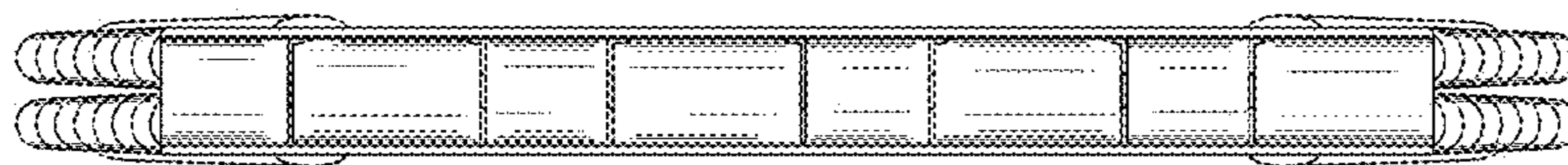


FIG. 8

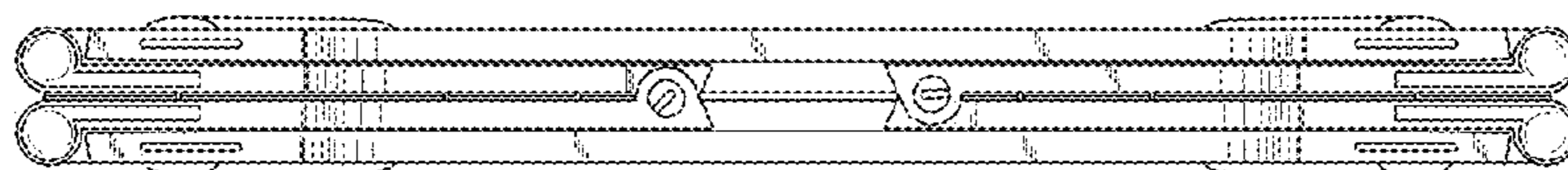


FIG. 9

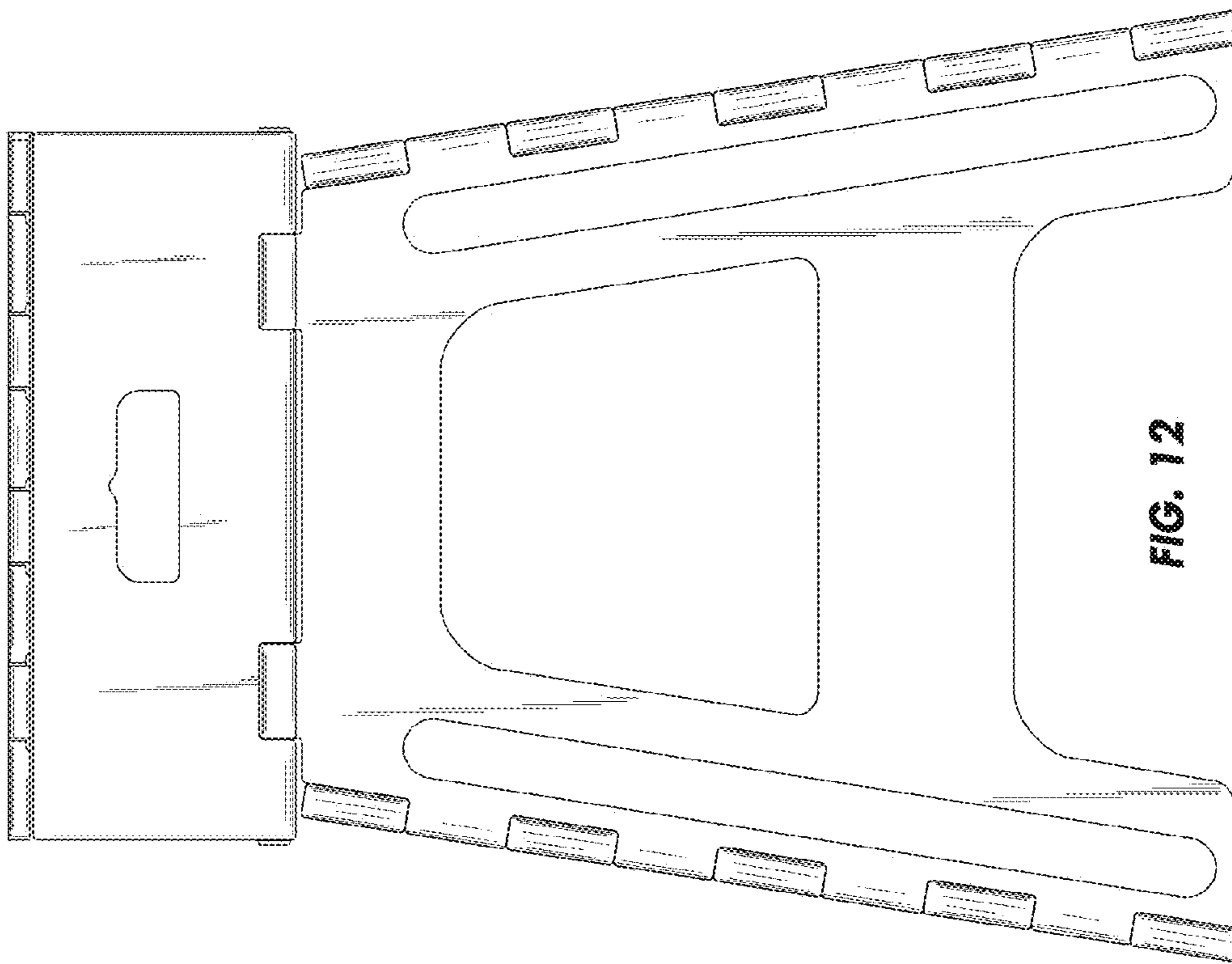


FIG. 12



FIG. 11



FIG. 10

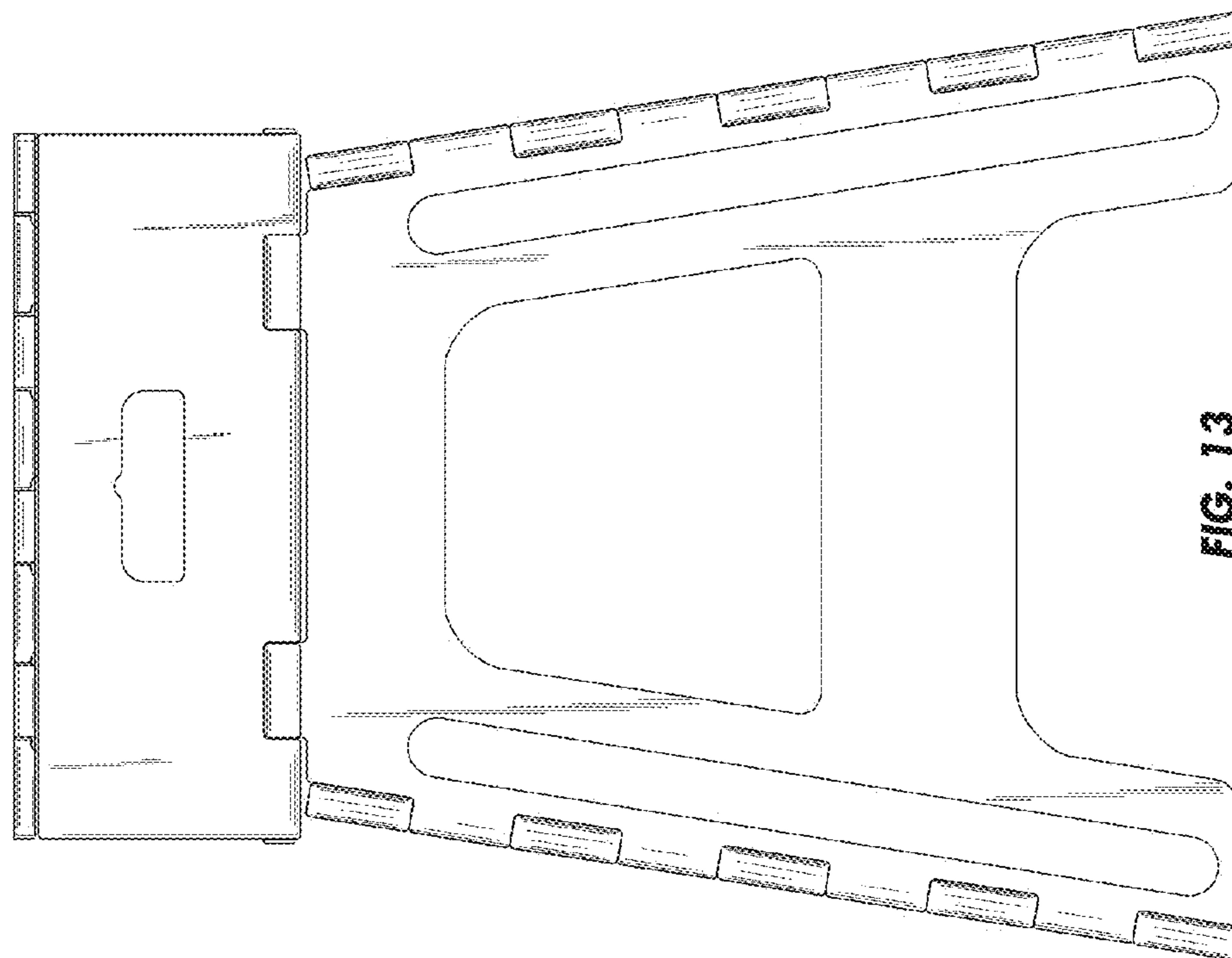


FIG. 13

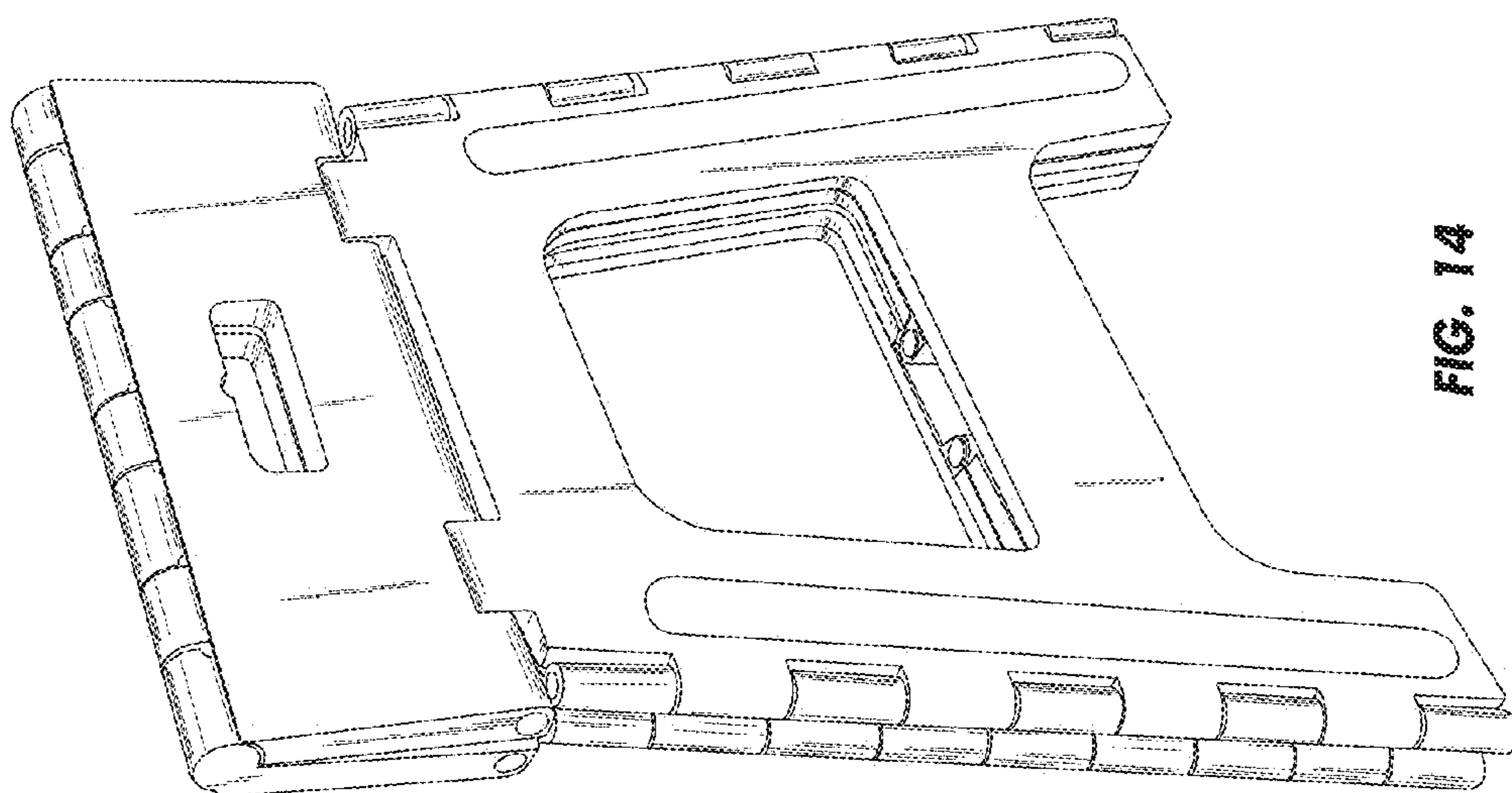


FIG. 14