



US00D751306S

(12) **United States Design Patent**
Winningham

(10) **Patent No.:** **US D751,306 S**
(45) **Date of Patent:** **** Mar. 15, 2016**

(54) **CHAIR**
(71) Applicant: **Mark Winningham**, Amanda Park, WA (US)
(72) Inventor: **Mark Winningham**, Amanda Park, WA (US)
(**) Term: **14 Years**
(21) Appl. No.: **29/521,933**
(22) Filed: **Mar. 26, 2015**
(51) **LOC (10) Cl.** **06-01**
(52) **U.S. Cl.**
USPC **D6/336**
(58) **Field of Classification Search**
USPC D6/334, 335, 336, 338, 349, 355, 381, D6/716, 716.1; 297/118, 119, 135, 144, 297/232, 445.1, 448.1, 452.18, 156, 175, 297/216.1; 5/12.1, 12.2
CPC A47C 1/02; A47C 1/12; A47C 11/00; A47C 17/00; A47C 17/02; A47C 4/52; A47C 9/00
See application file for complete search history.

5,251,961 A * 10/1993 Pass A47C 9/005 297/423.1
D343,067 S * 1/1994 Pass D6/330
D369,691 S * 5/1996 Haynes D6/335
5,715,625 A * 2/1998 West, III F41A 23/16 42/94
5,988,738 A * 11/1999 Blessing A47B 3/14 297/141
6,058,641 A * 5/2000 Vecqueray F41A 23/12 248/425
6,895,709 B1 * 5/2005 Krien A47B 83/02 42/94
D605,862 S * 12/2009 Weeks D6/338
8,297,706 B2 * 10/2012 Matthews A01M 31/02 297/423.11
D685,585 S * 7/2013 Udagawa D6/338
D709,295 S * 7/2014 Winebrenner D6/338
D742,655 S * 11/2015 Opsvik D6/333
9,185,973 B2 * 11/2015 Udagawa A47B 83/02
2008/0096741 A1 * 4/2008 Bradley A47C 9/00 482/130

* cited by examiner

Primary Examiner — Sandra Snapp
(74) *Attorney, Agent, or Firm* — Vincent G. LoTempio; Kloss, Stenger & LoTempio; David Stephenson

(57) **CLAIM**
The ornamental design for a chair, as shown and described.

(56) **References Cited**

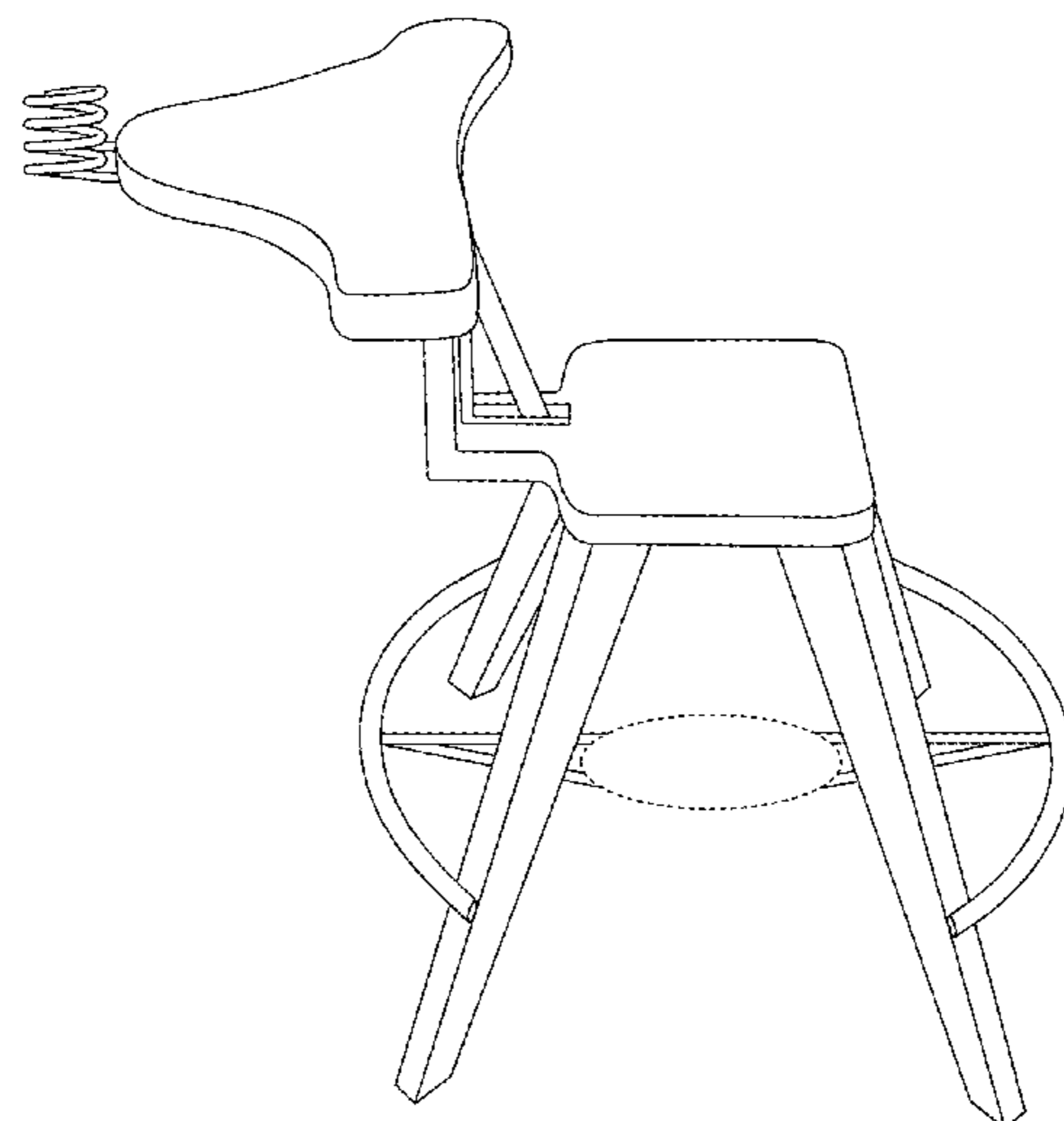
U.S. PATENT DOCUMENTS

2,702,584 A * 2/1955 Williams A47C 7/42 297/124
D190,906 S * 7/1961 Blumenshine D6/335
D271,727 S * 12/1983 Opsvik D6/330
D283,858 S * 5/1986 Opsvik D6/335
4,614,378 A * 9/1986 Picou A47C 13/00 297/118
D292,453 S * 10/1987 Opsvik D6/300
D292,756 S * 11/1987 Opsvik D6/300
4,921,303 A * 5/1990 White A47C 9/00 297/156
5,060,410 A * 10/1991 Mueller F16M 11/00 42/94

DESCRIPTION

FIG. 1 is a left side view showing my new design;
FIG. 2 is a back side view thereof;
FIG. 3 is a right side view thereof;
FIG. 4 is a front side view thereof;
FIG. 5 is a top view thereof;
FIG. 6 is a bottom view thereof; and,
FIG. 7 is a perspective view of the chair thereof.
The broken-line oval placard is a portion of the chair which forms no part of the claimed design.

1 Claim, 7 Drawing Sheets



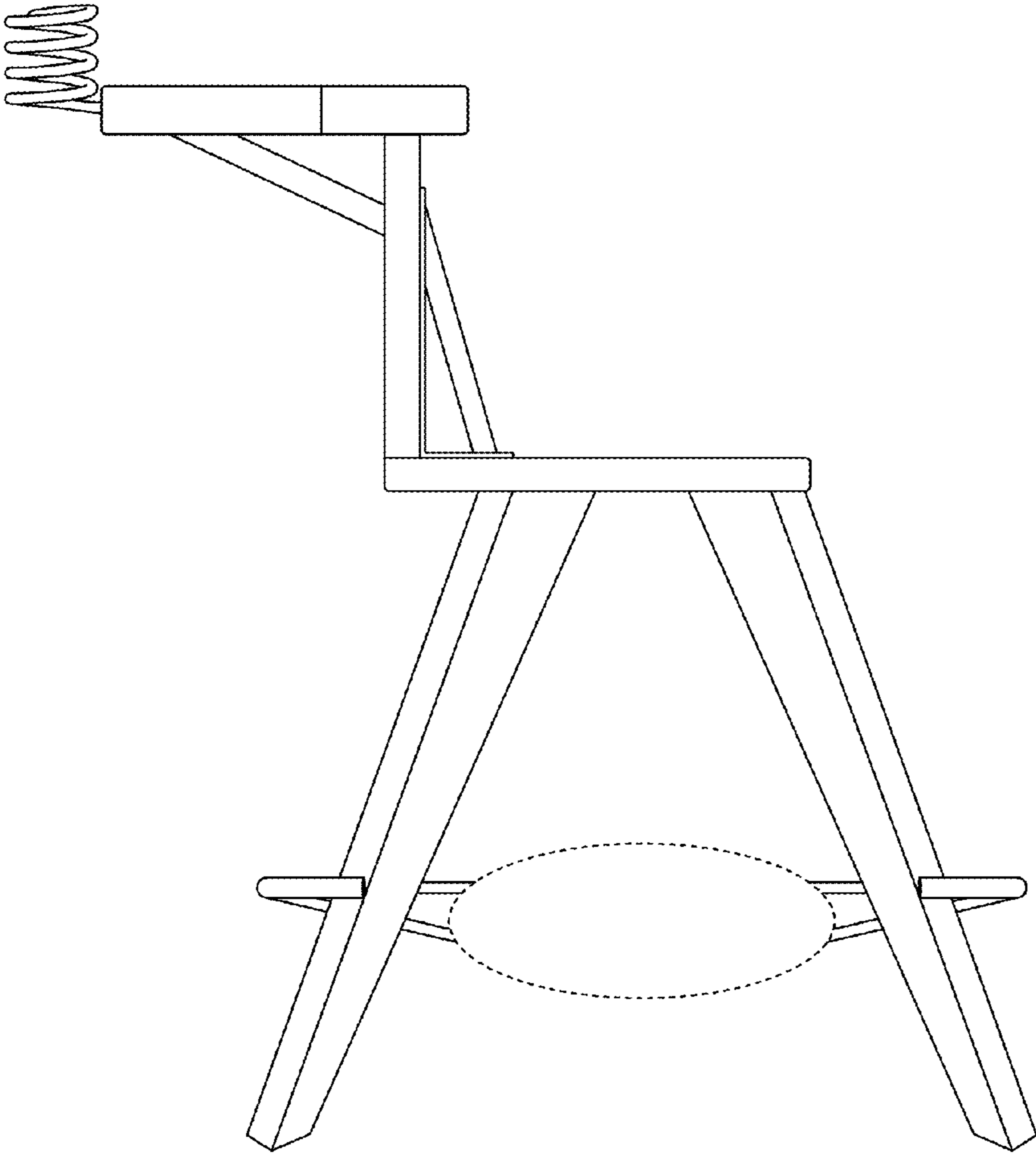


FIG. 1

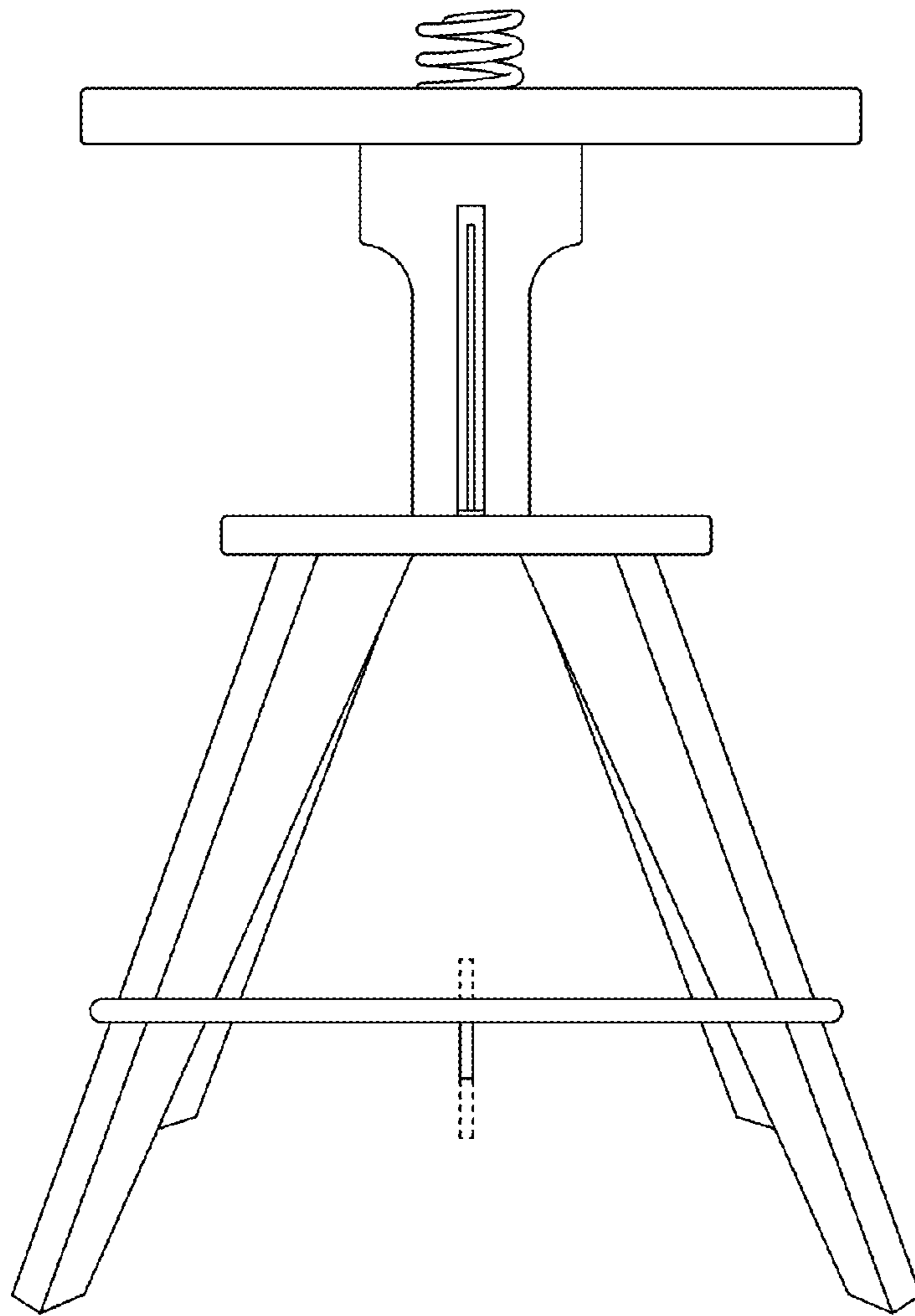


FIG. 2

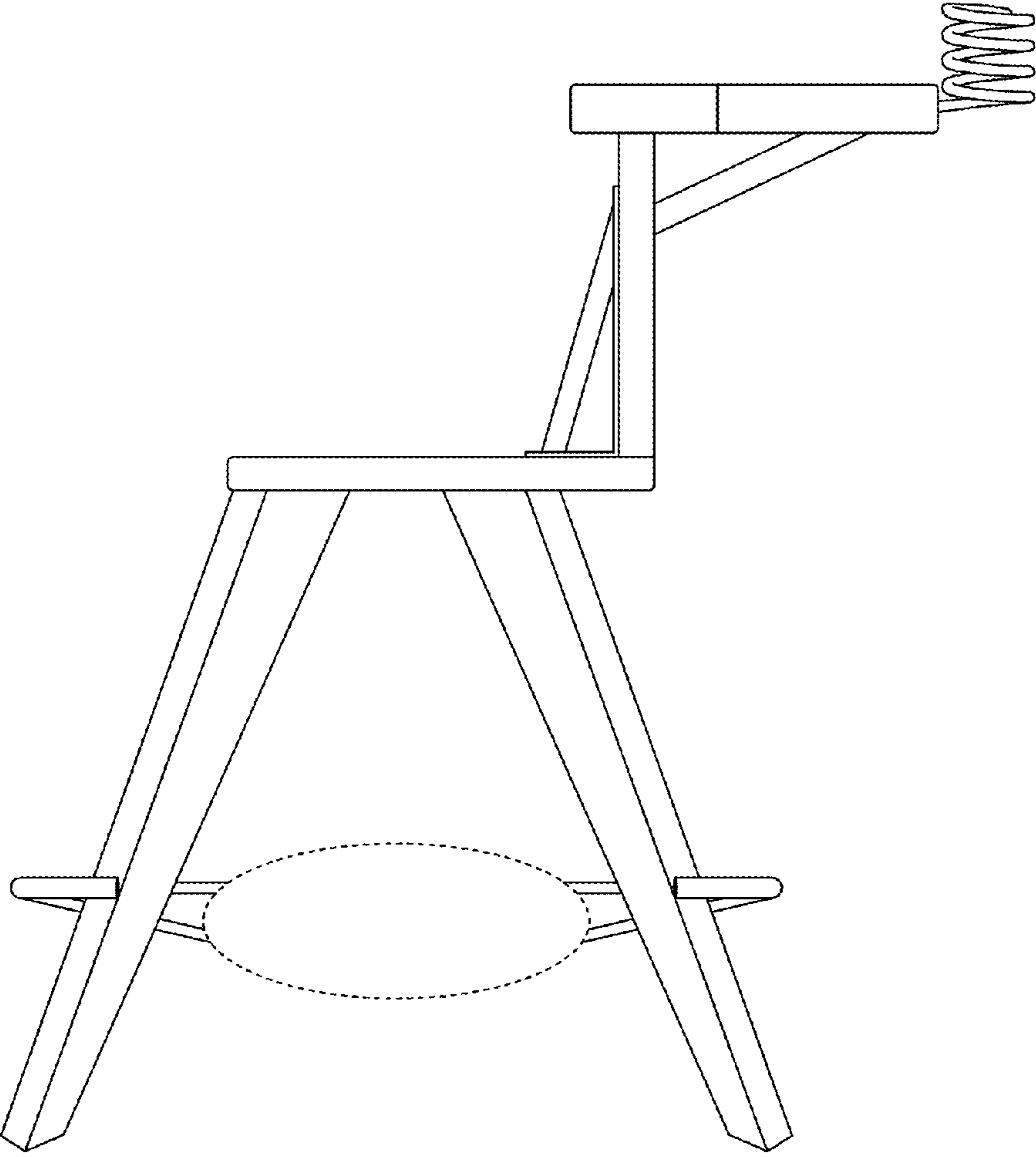


FIG. 3

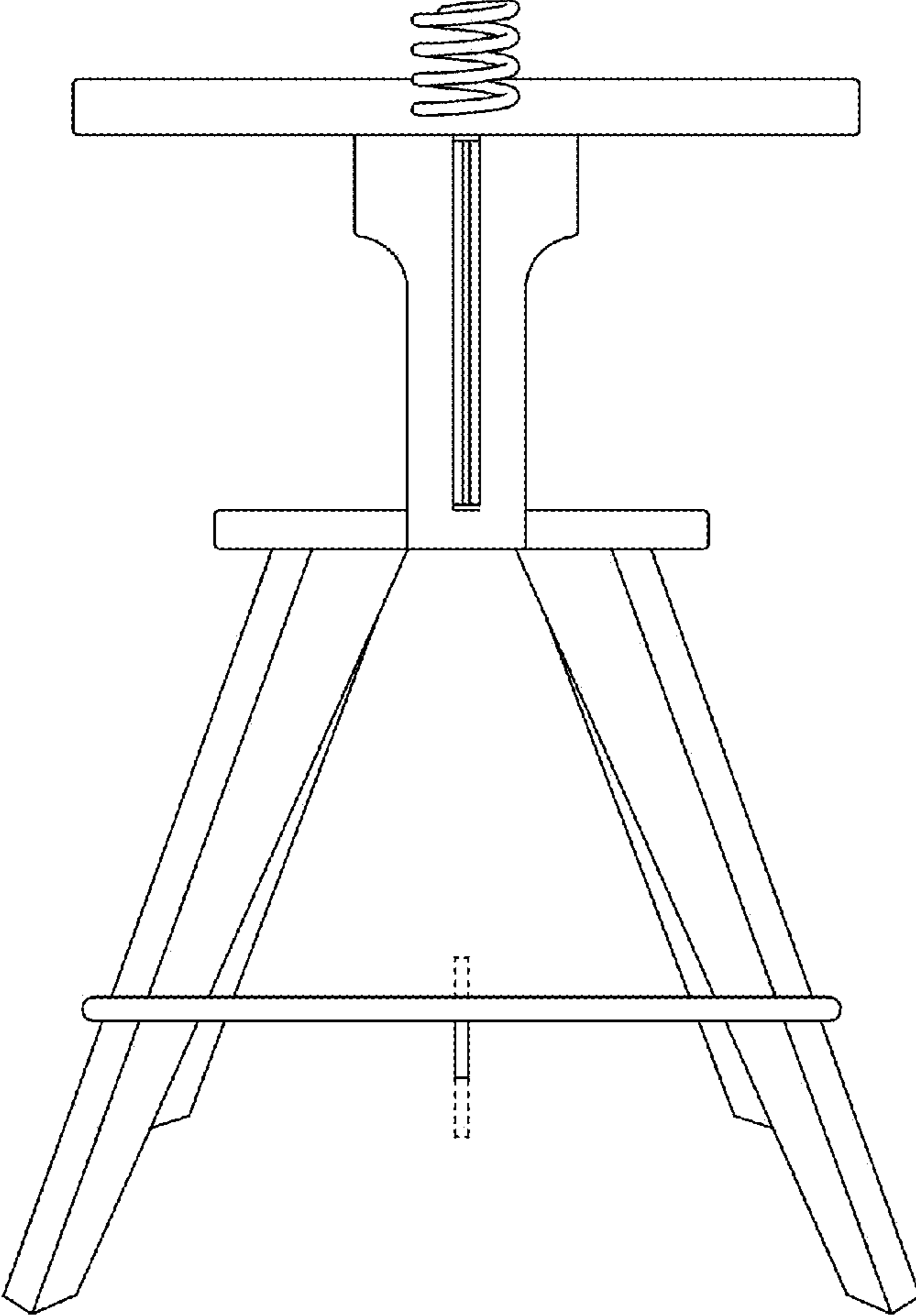


FIG. 4

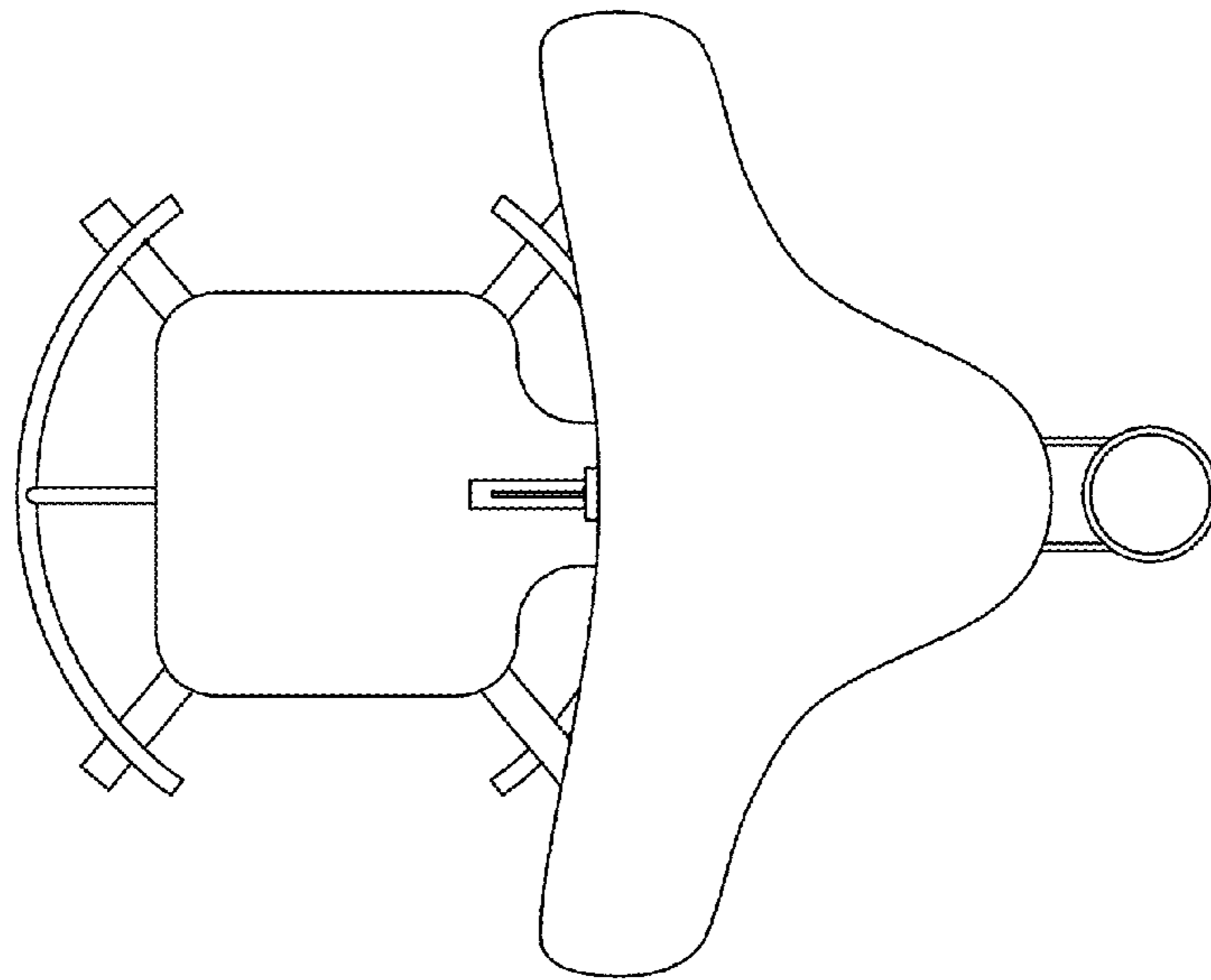


FIG. 5

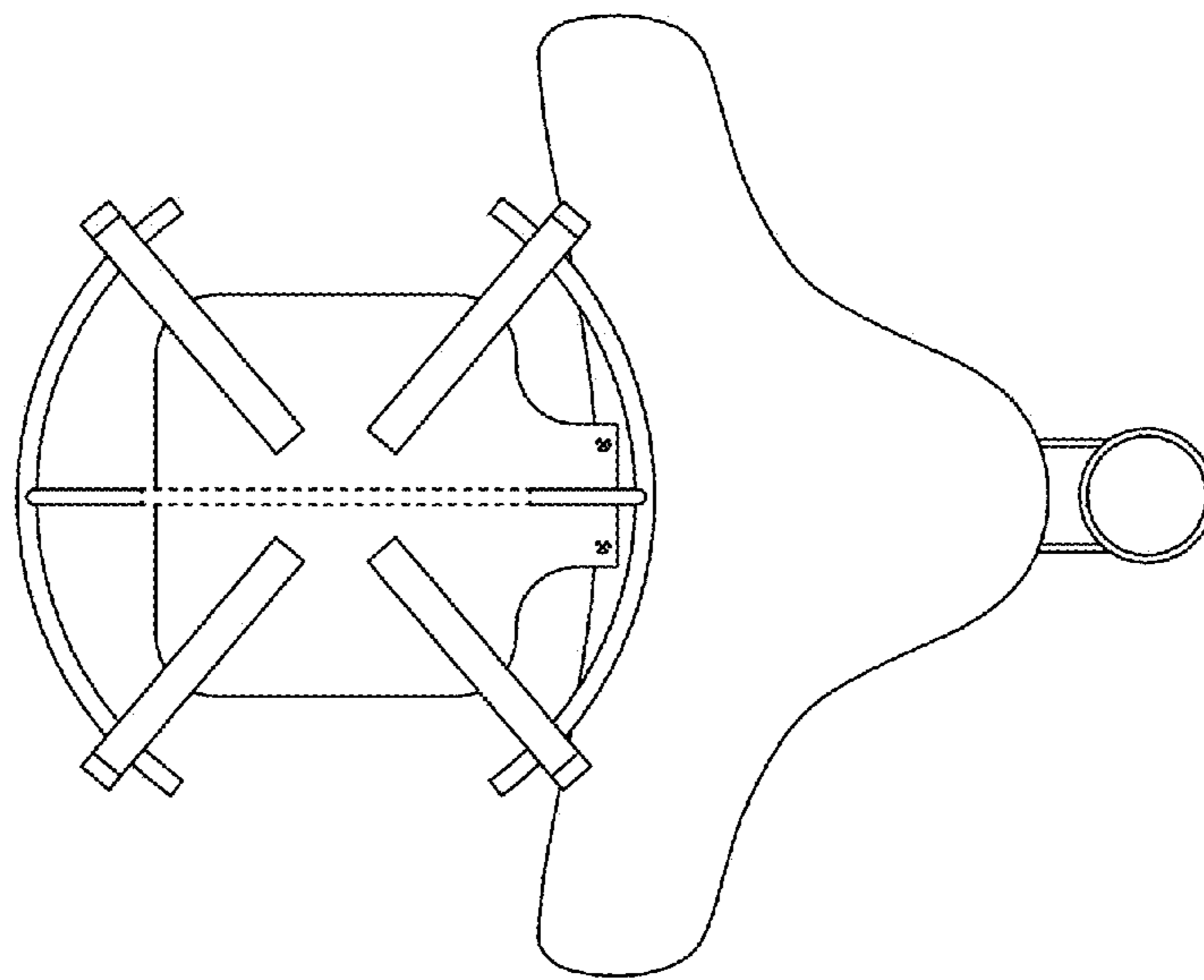


FIG. 6

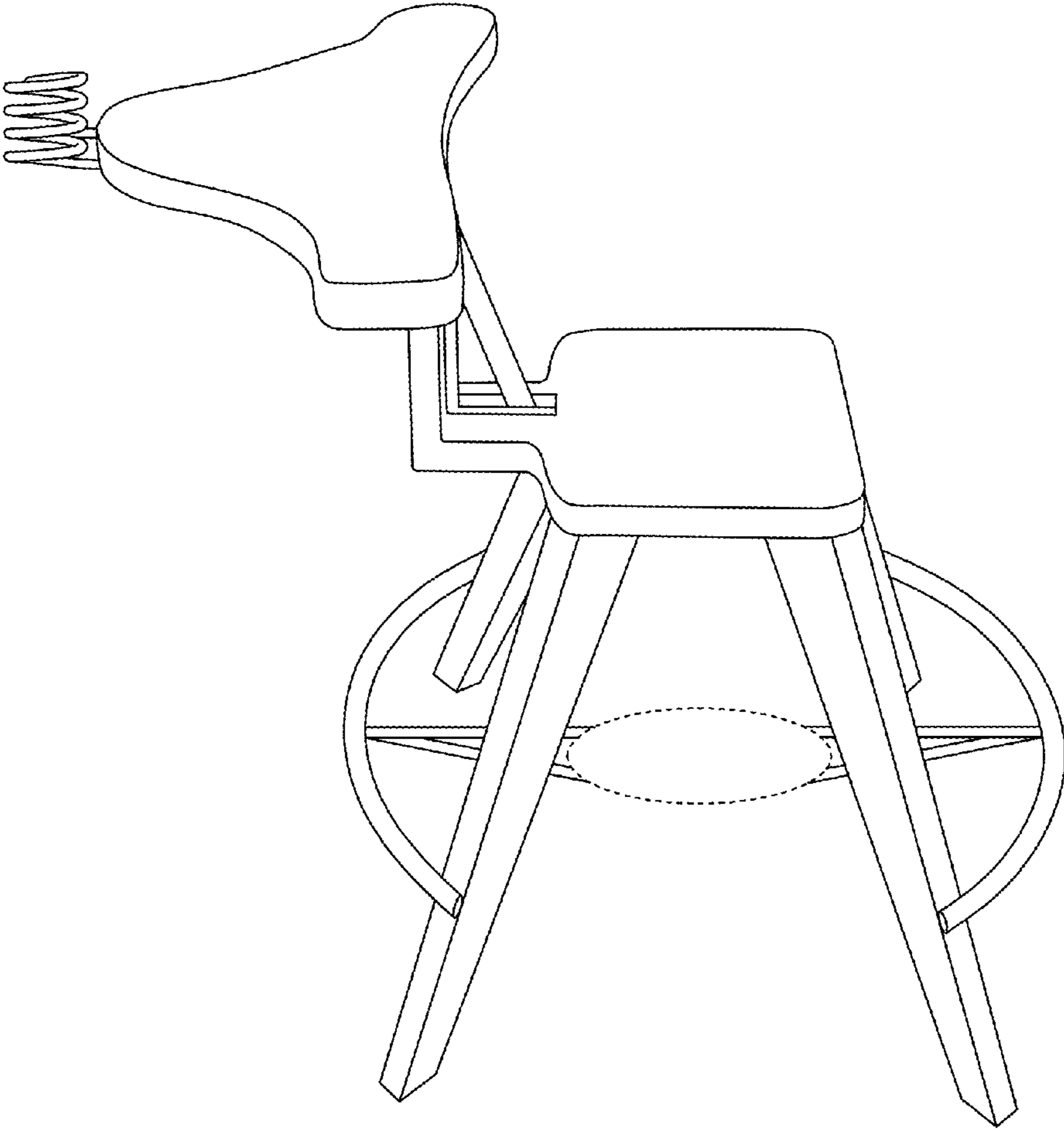


FIG. 7