



US00D751305S

(12) **United States Design Patent**
Robbins et al.

(10) **Patent No.:** **US D751,305 S**
(45) **Date of Patent:** **** Mar. 15, 2016**

(54) **BASSINET FRAME**

(71) Applicant: **Graco Children's Products Inc.,**
Atlanta, GA (US)

(72) Inventors: **Chad Robbins, Atlanta, GA (US); Jon**
Hee Lee, Atlanta, GA (US)

(73) Assignee: **Graco Children's Products, Inc.,**
Atlanta, GA (US)

(**) Term: **14 Years**

(21) Appl. No.: **29/492,708**

(22) Filed: **Jun. 2, 2014**

(51) **LOC (10) Cl.** **06-01**

(52) **U.S. Cl.**
USPC **D6/333**

(58) **Field of Classification Search**
USPC D6/333, 348, 334, 335, 344, 361, 375;
297/16.1, 258.1, 270.2, 452.13,
297/440.24, 271.6; D21/412, 688
CPC A47C 3/029; A47C 3/025; A47C 3/021;
A47C 3/0252; A47C 9/002
See application file for complete search history.

(56) **References Cited**

U.S. PATENT DOCUMENTS

D168,270	S	*	11/1952	Lamb	D6/348
D168,342	S	*	12/1952	Goldberg	D6/361
5,694,655	A	*	12/1997	Shepler et al.	5/105
D440,412	S	*	4/2001	Huang	D6/333
D492,851	S	*	7/2004	Kane	D6/333
D513,130	S	*	12/2005	Canna et al.	D6/333
D601,358	S	*	10/2009	Yu	D6/344
D604,055	S	*	11/2009	Plested et al.	D6/333
D651,817	S	*	1/2012	Horn et al.	D6/344
D655,113	S	*	3/2012	Wiegmann et al.	D6/500
8,146,989	B2	*	4/2012	Godiska et al.	297/217.4
8,197,005	B2	*	6/2012	Hopke et al.	297/344.17
D690,947	S	*	10/2013	Gillett	D6/344
8,834,282	B2	*	9/2014	Sclare et al.	472/119

8,845,028	B2	*	9/2014	Miller	297/354.12
D737,063	S	*	8/2015	Lin	D6/344
2003/0160478	A1	*	8/2003	Cheng	297/16.1
2004/0217643	A1	*	11/2004	Piwko et al.	297/452.13
2008/0143155	A1	*	6/2008	Arnold et al.	297/217.4
2013/0156490	A1	*	6/2013	Schroeder	403/104

OTHER PUBLICATIONS

Tiny Love, 3-in-1 Rocker Napper, https://web.archive.org/web/*/http://store.tinylove.com/baby-gear/3-in-1-rocker-napper-red, Aug. 28, 2012 (retrieved Oct. 17, 2015).*

* cited by examiner

Primary Examiner — Carla Jobe Wright
Assistant Examiner — Holly E Thurman

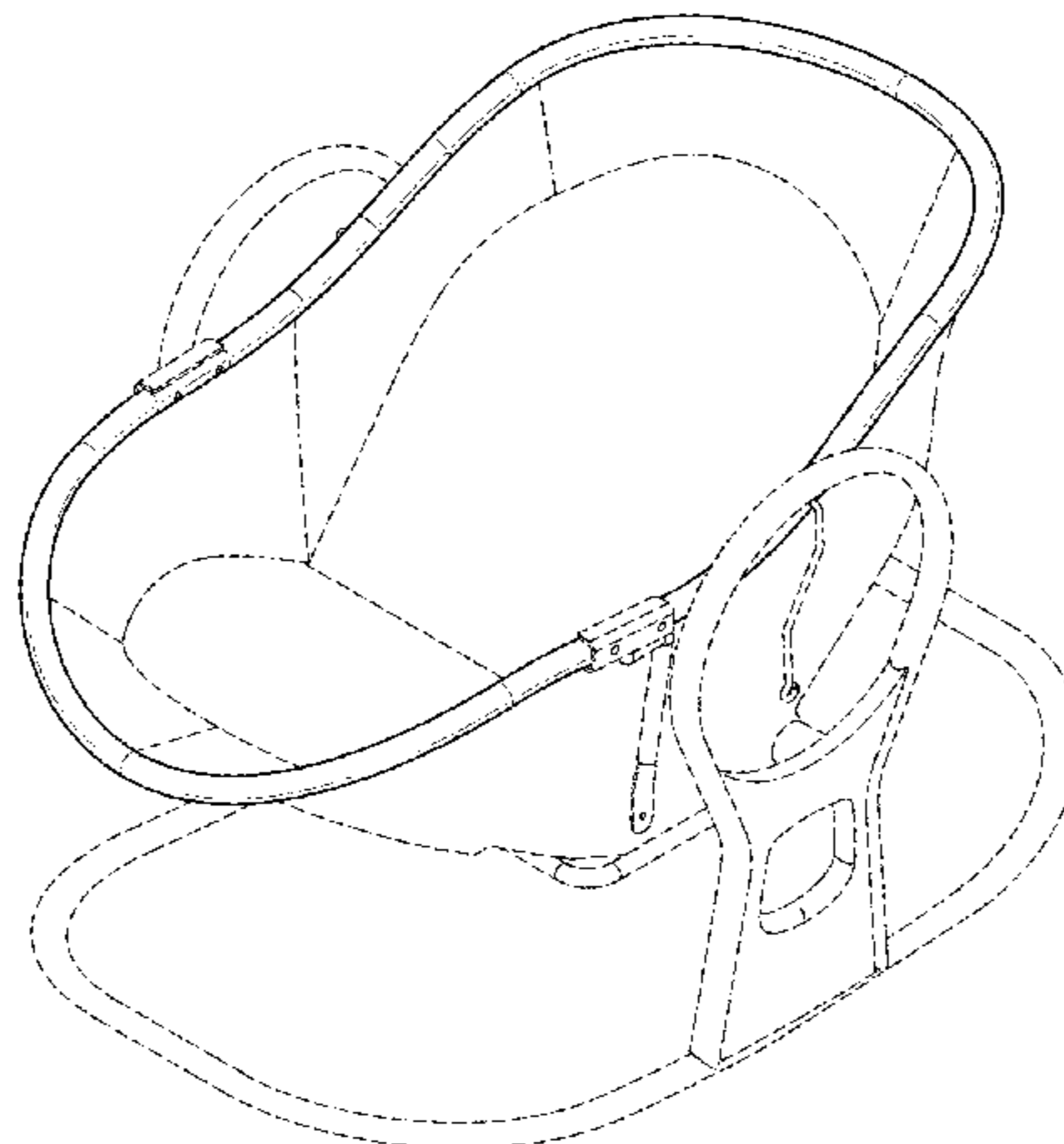
(57) **CLAIM**

The ornamental design for a "bassinet frame," as shown and described.

DESCRIPTION

FIG. 1 is a front, right side perspective view of a bassinet frame showing our new design;
FIG. 2 is a left elevational view thereof;
FIG. 3 is a right elevational view thereof;
FIG. 4 is a top plan view thereof;
FIG. 5 is a bottom plan view thereof;
FIG. 6 is a rear elevational view thereof;
FIG. 7 is a front elevational view thereof;
FIG. 8 is a front, right side perspective view thereof, shown in a reclined orientation;
FIG. 9 is a left elevational view thereof;
FIG. 10 is a right elevational view thereof;
FIG. 11 is a top plan view thereof;
FIG. 12 is a bottom plan view thereof;
FIG. 13 is a rear elevational view thereof; and,
FIG. 14 is a front elevational view thereof.
The subject matter shown in dashed lines is for illustrative purposes and forms no part of the claimed design.

1 Claim, 14 Drawing Sheets



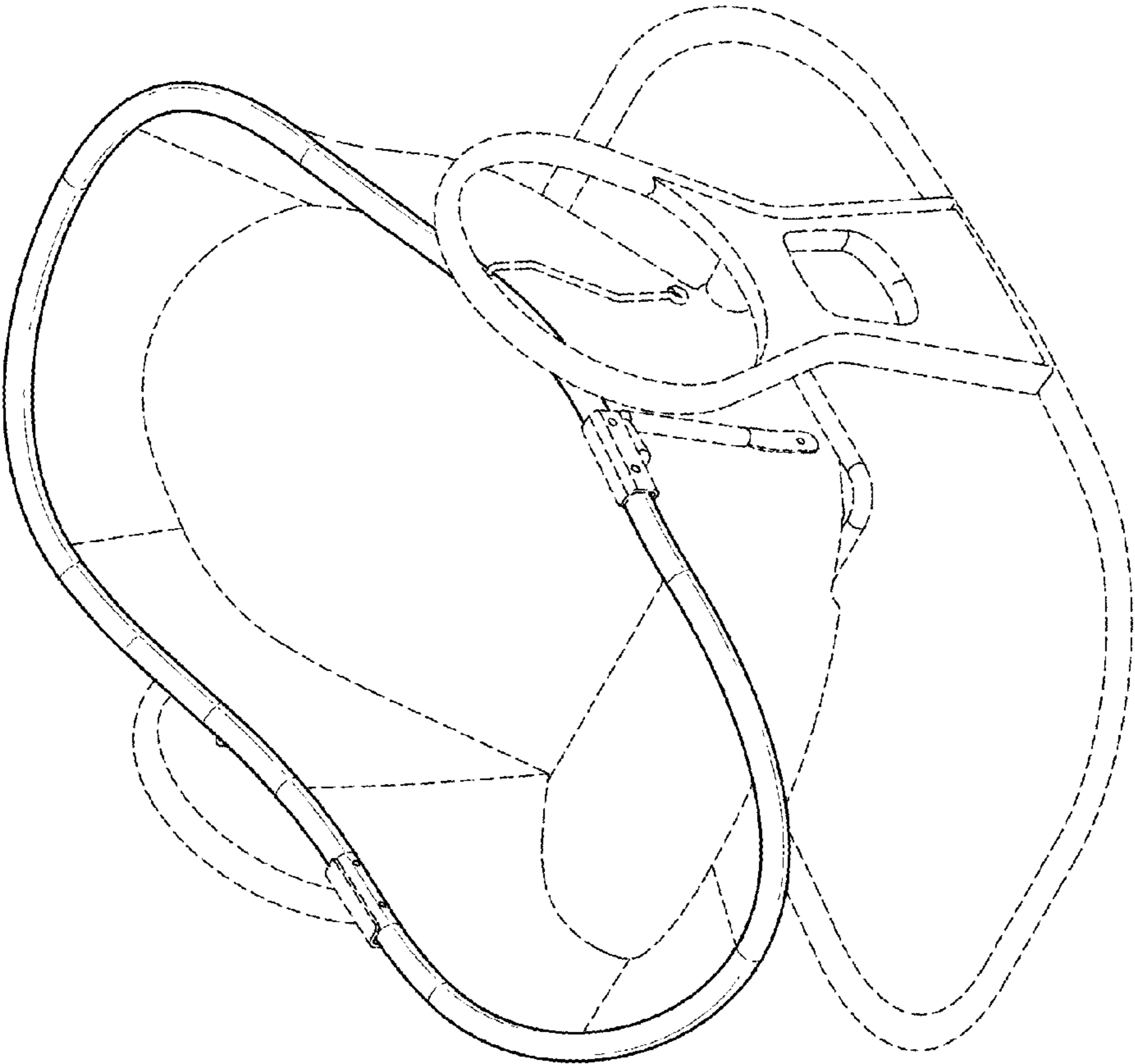


FIG. 1

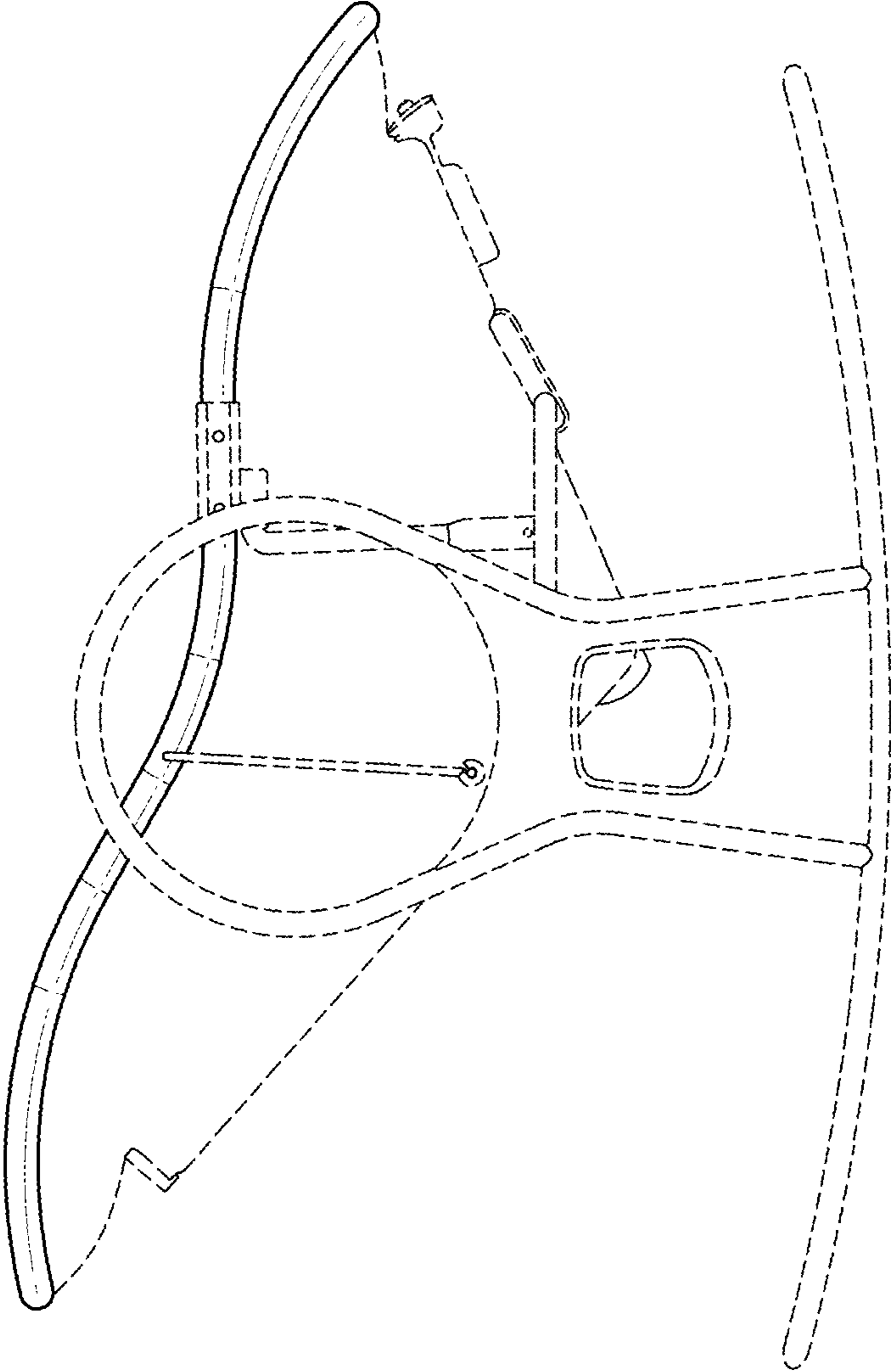


FIG. 2

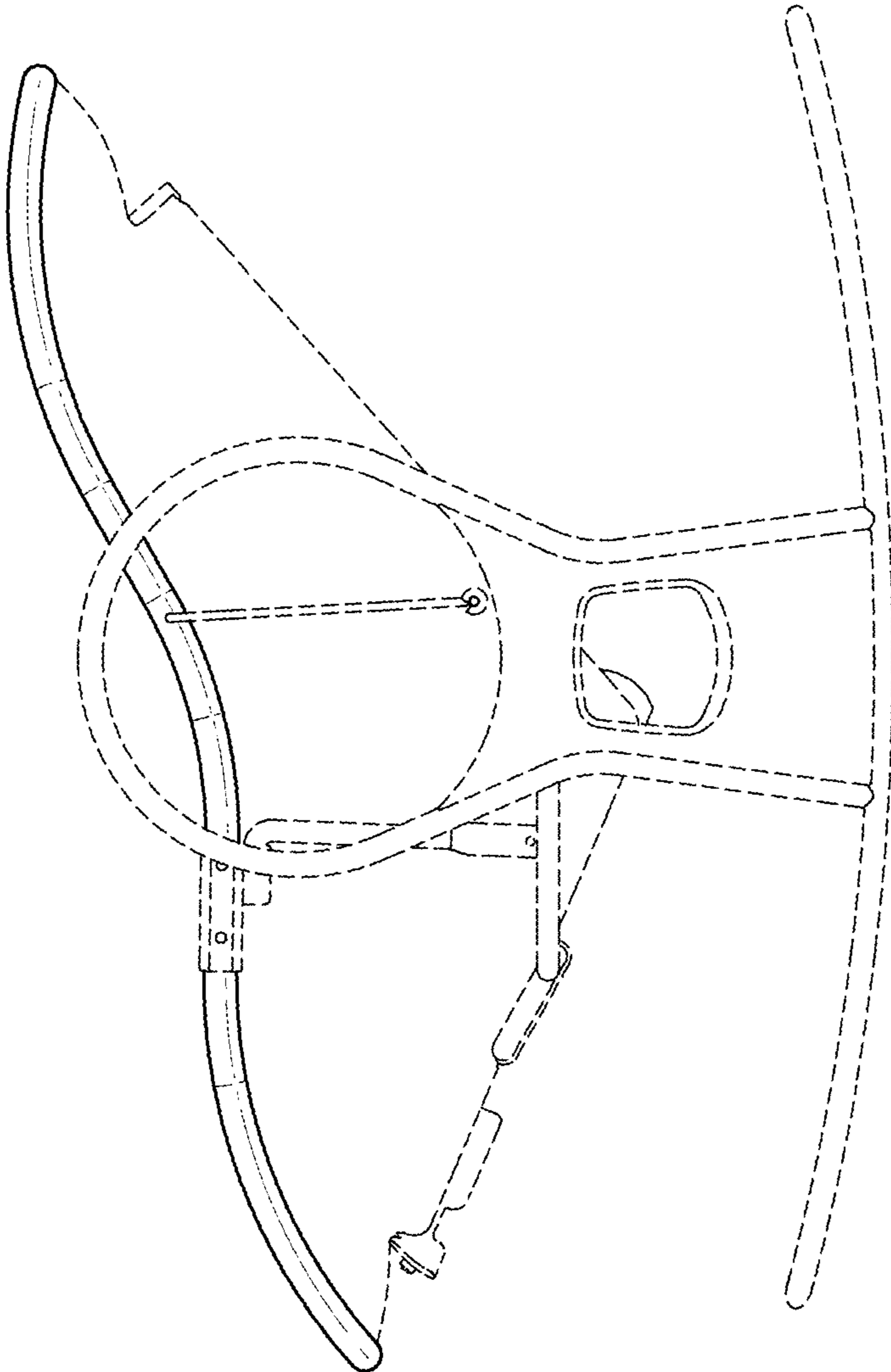


FIG. 3

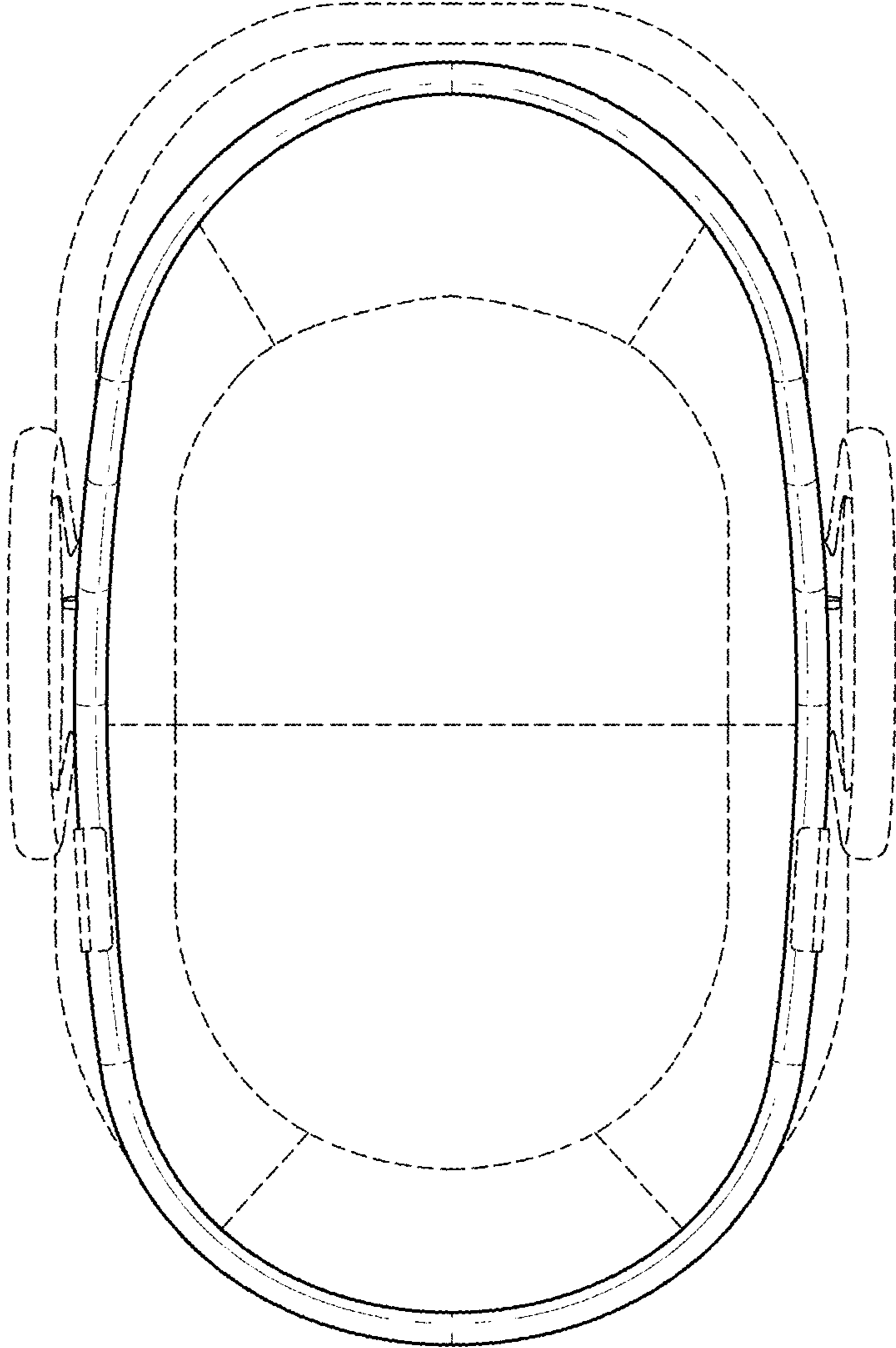


FIG. 4

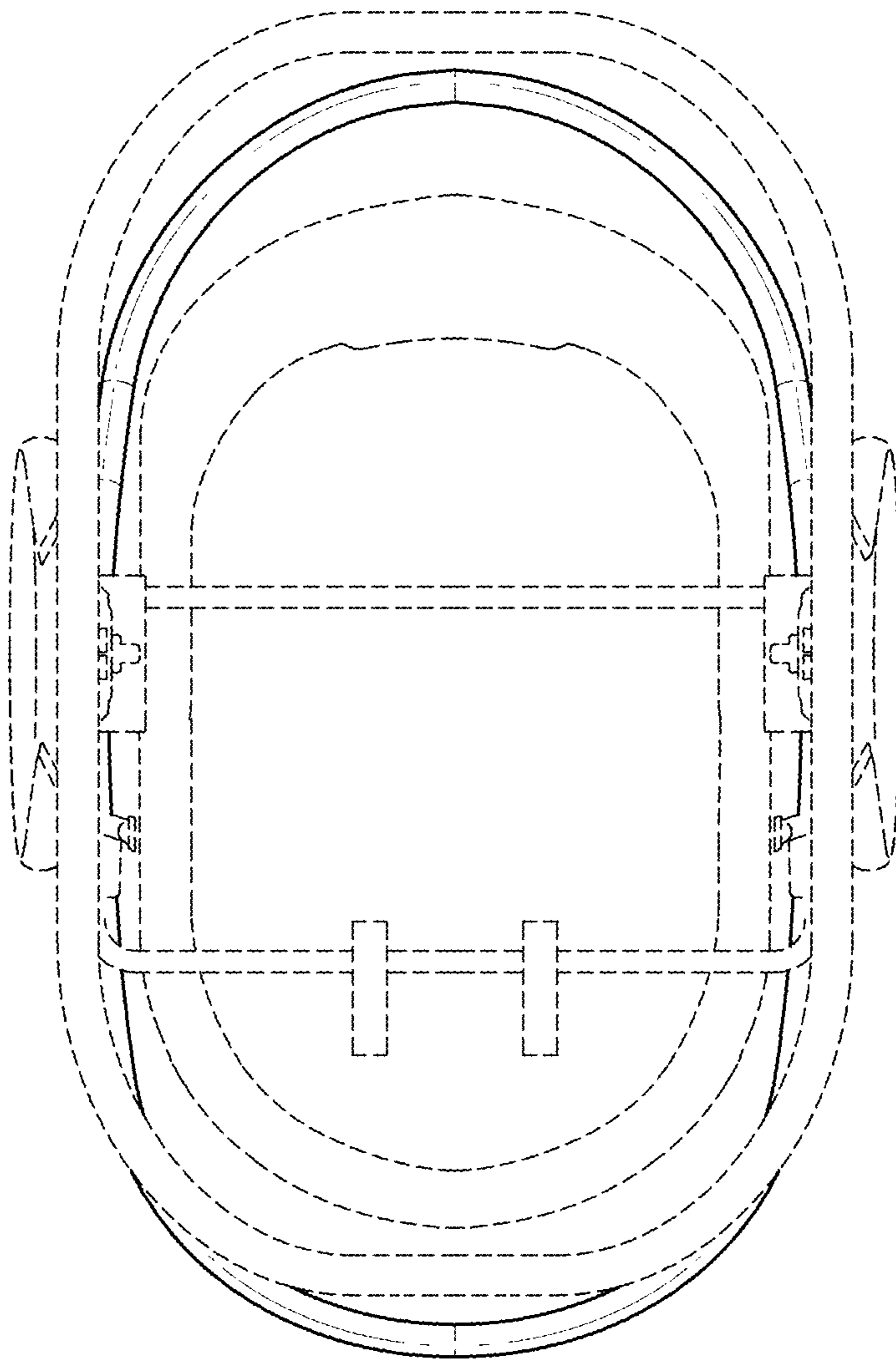


FIG. 5

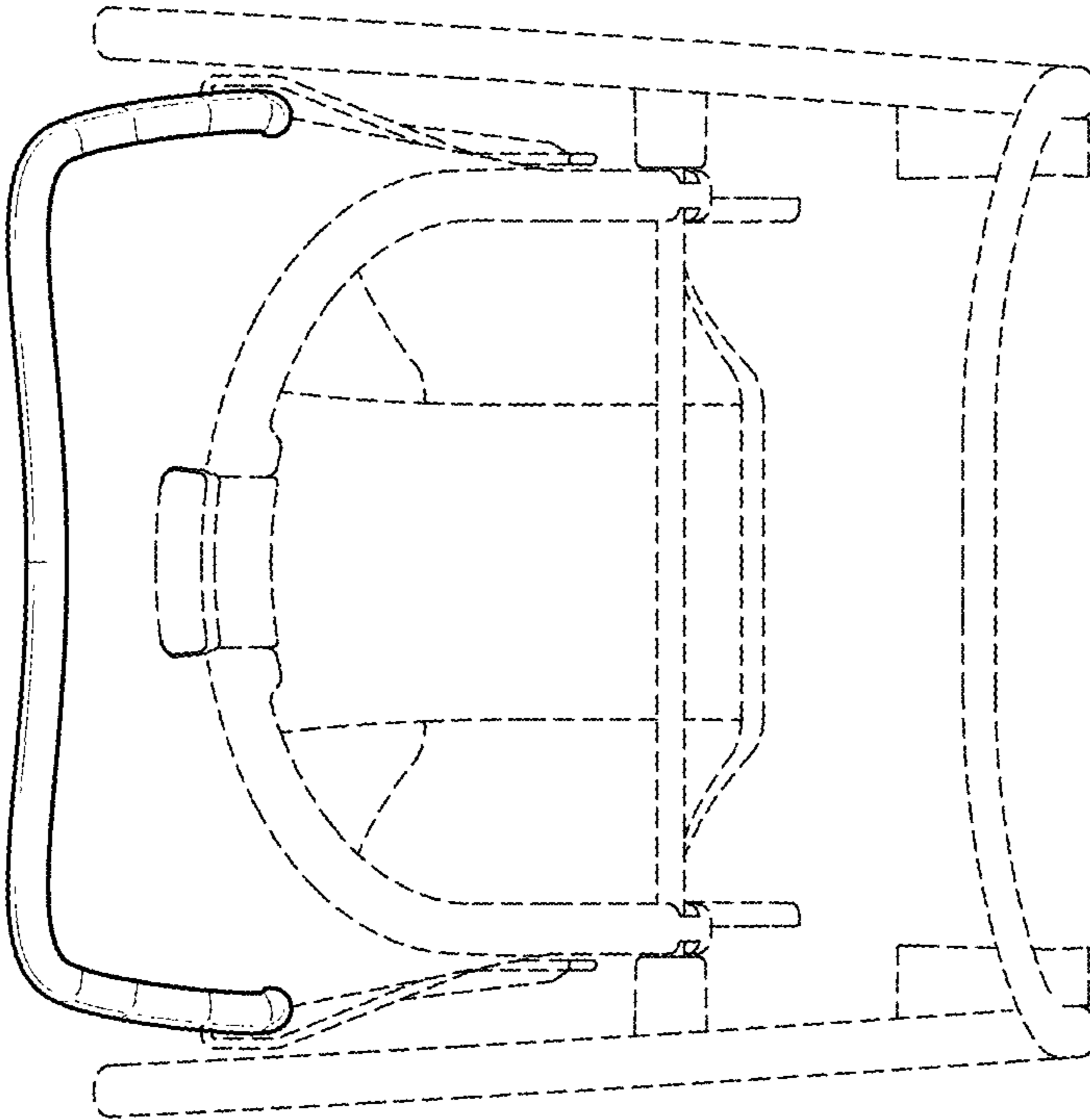


FIG. 6

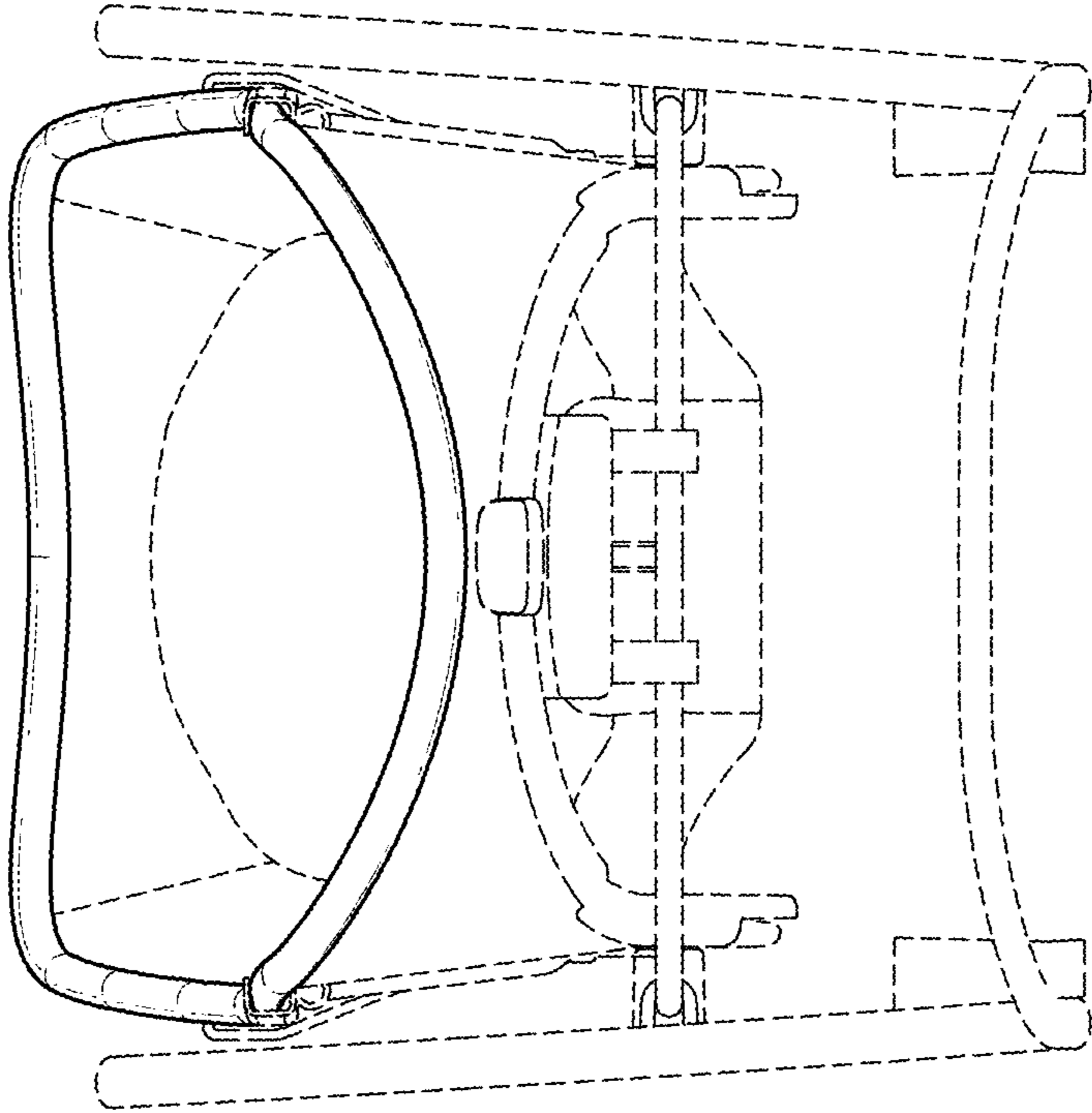


FIG. 7

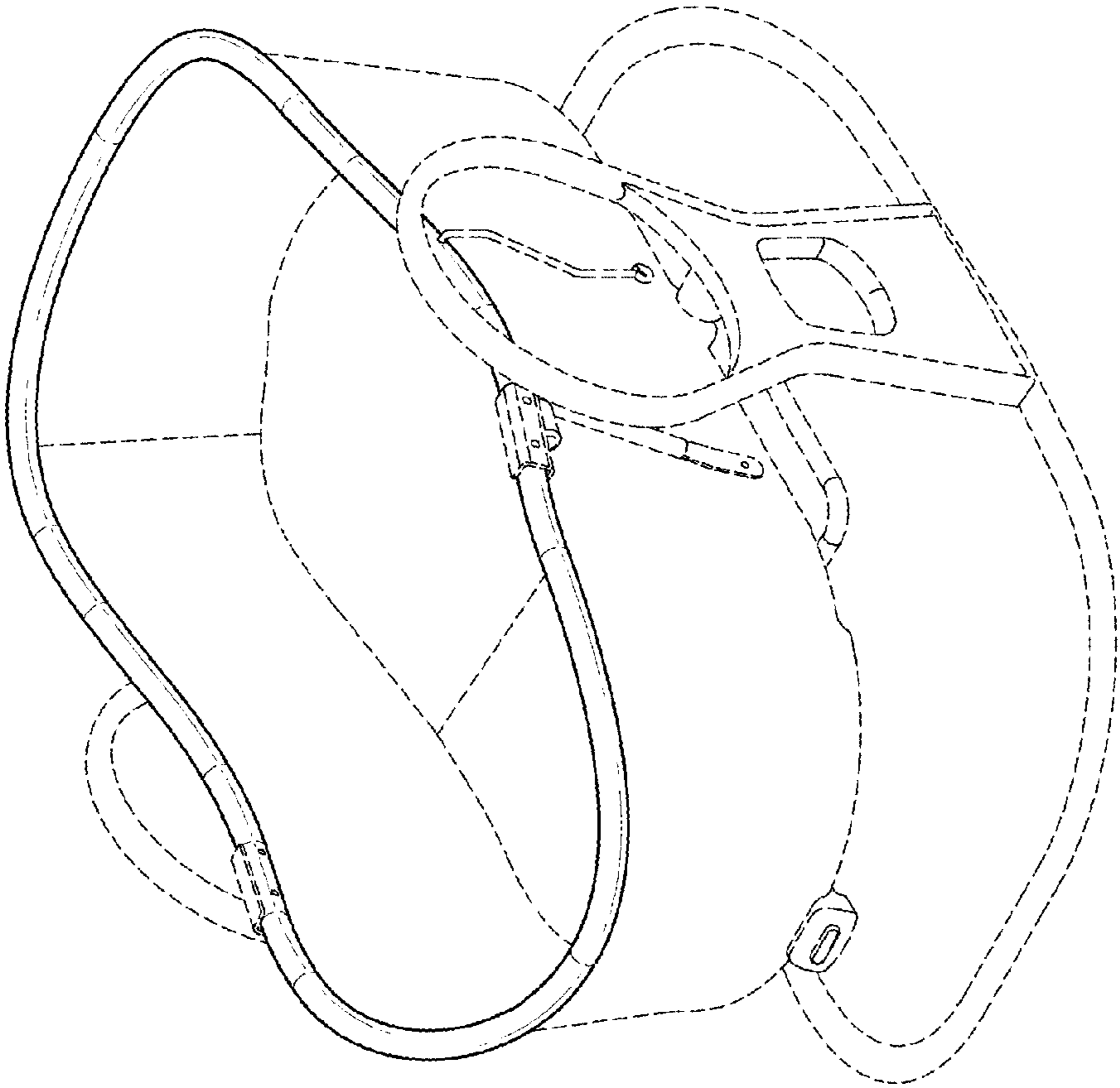


FIG. 8

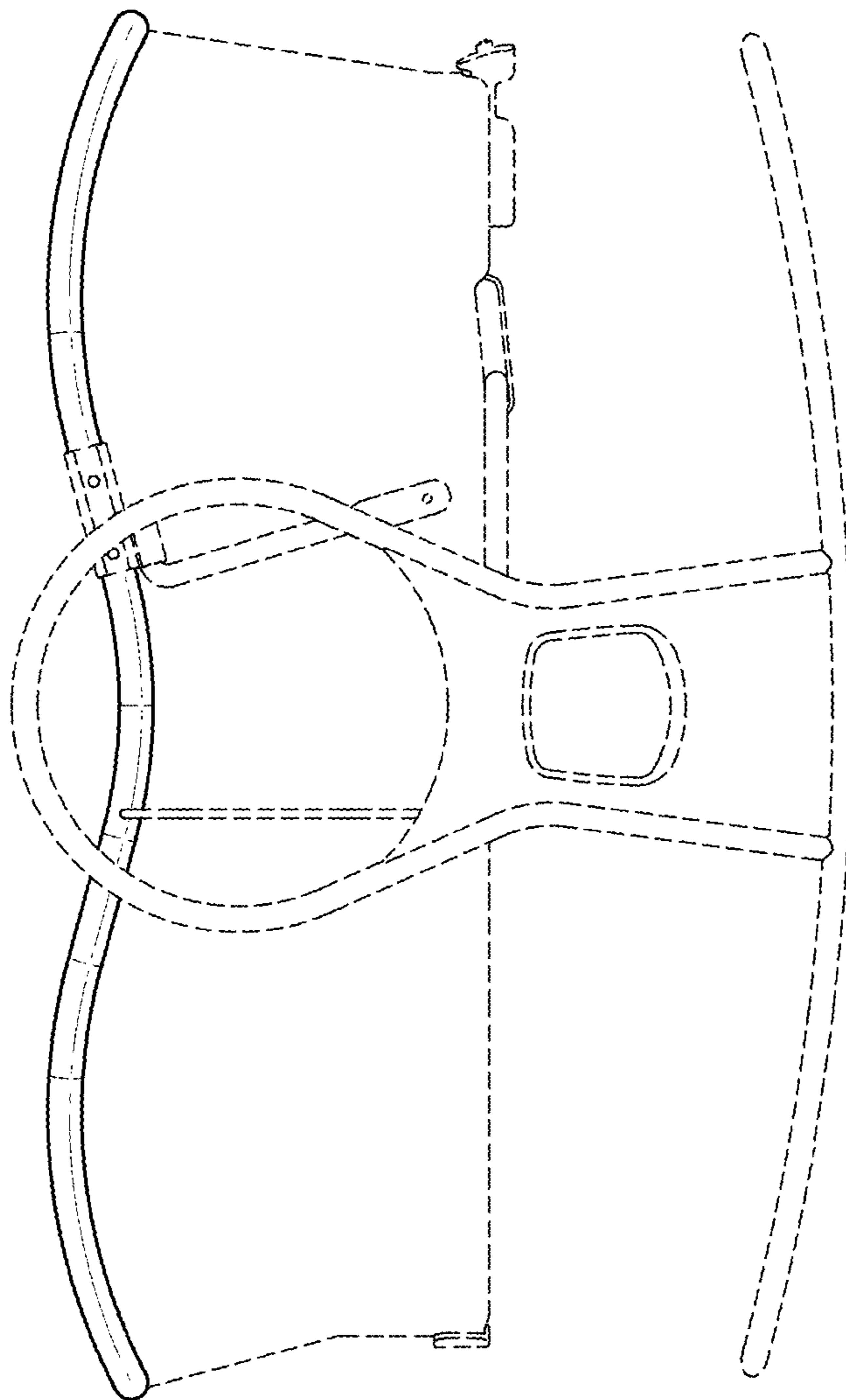


FIG. 9

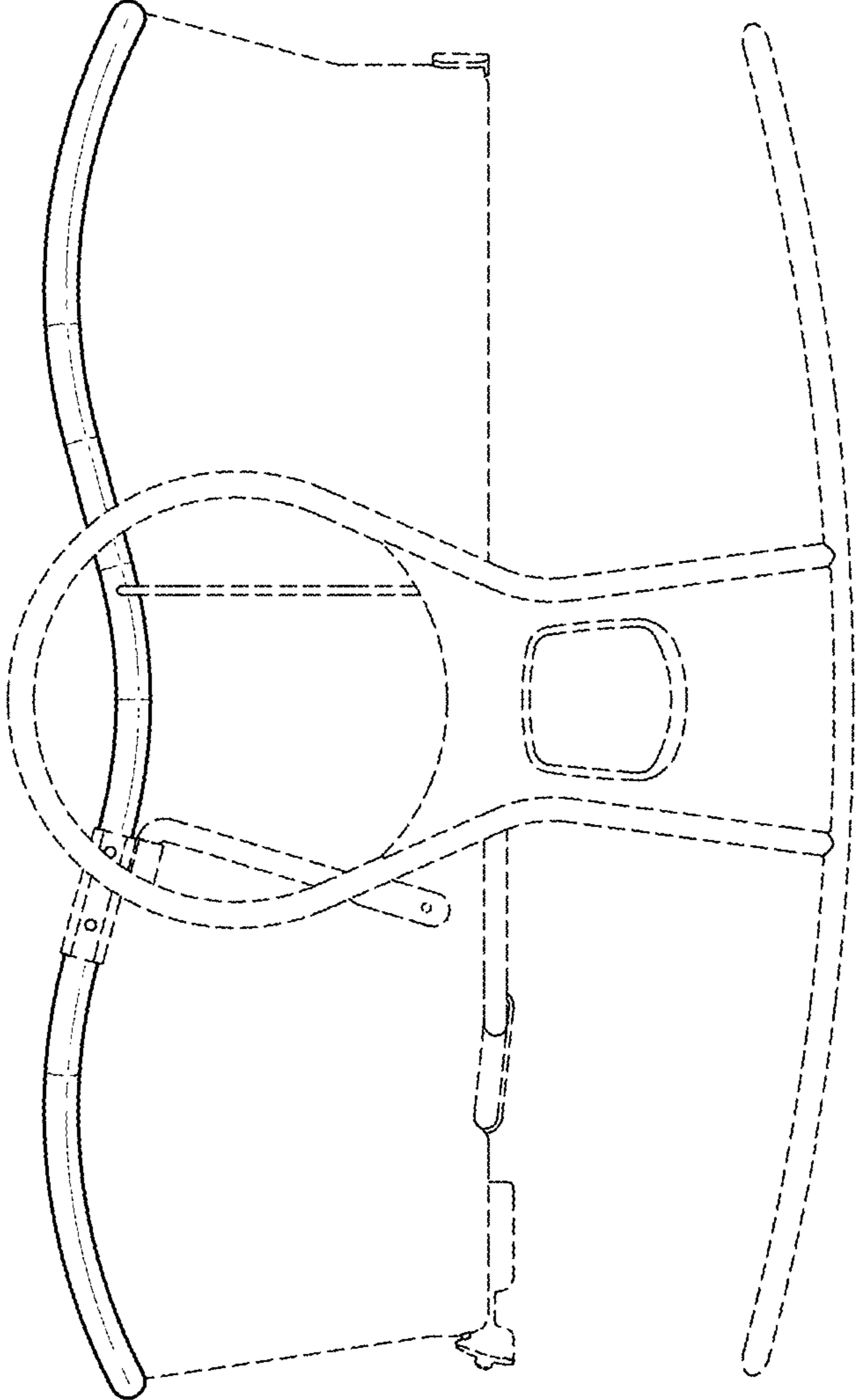


FIG. 10

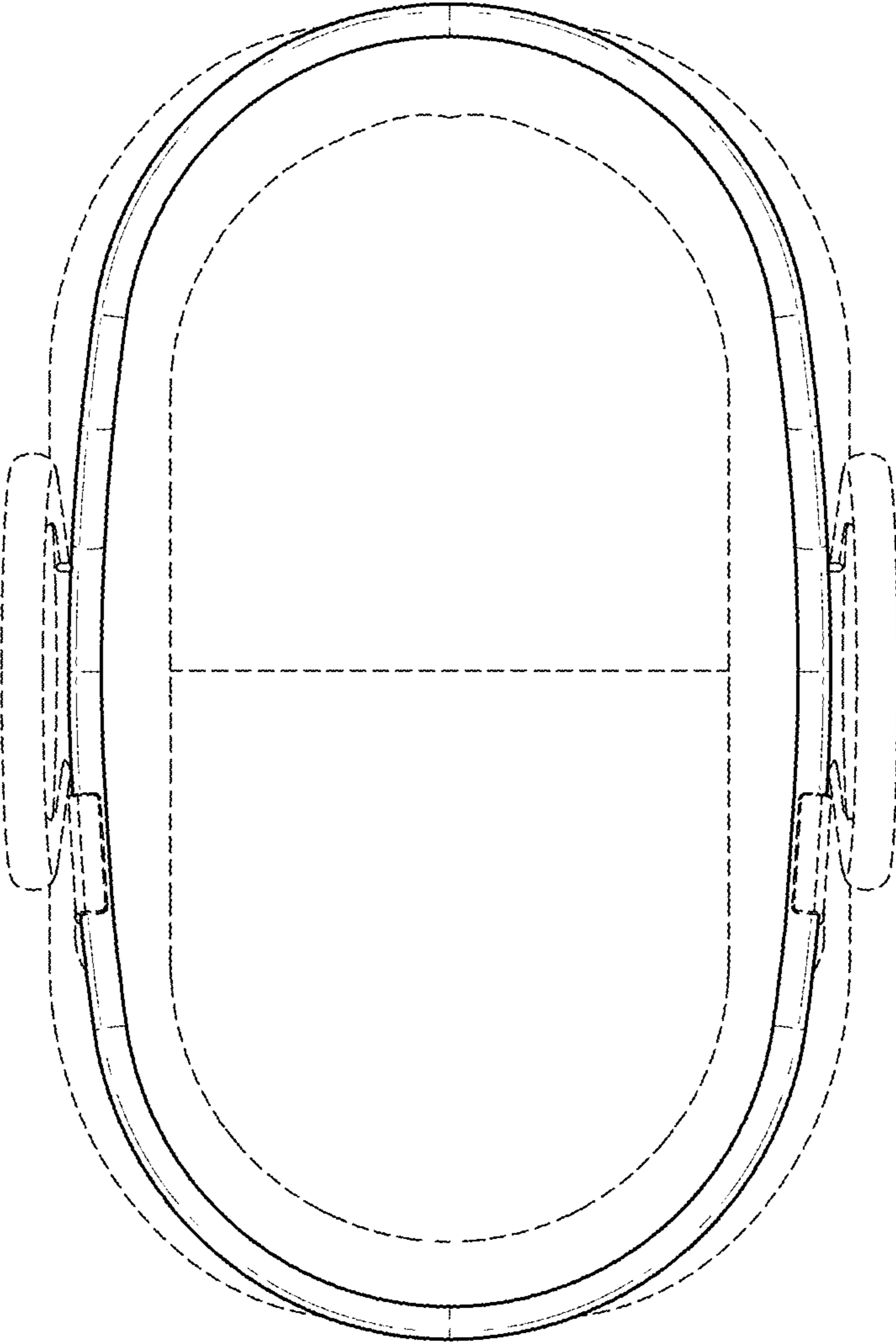


FIG. 11

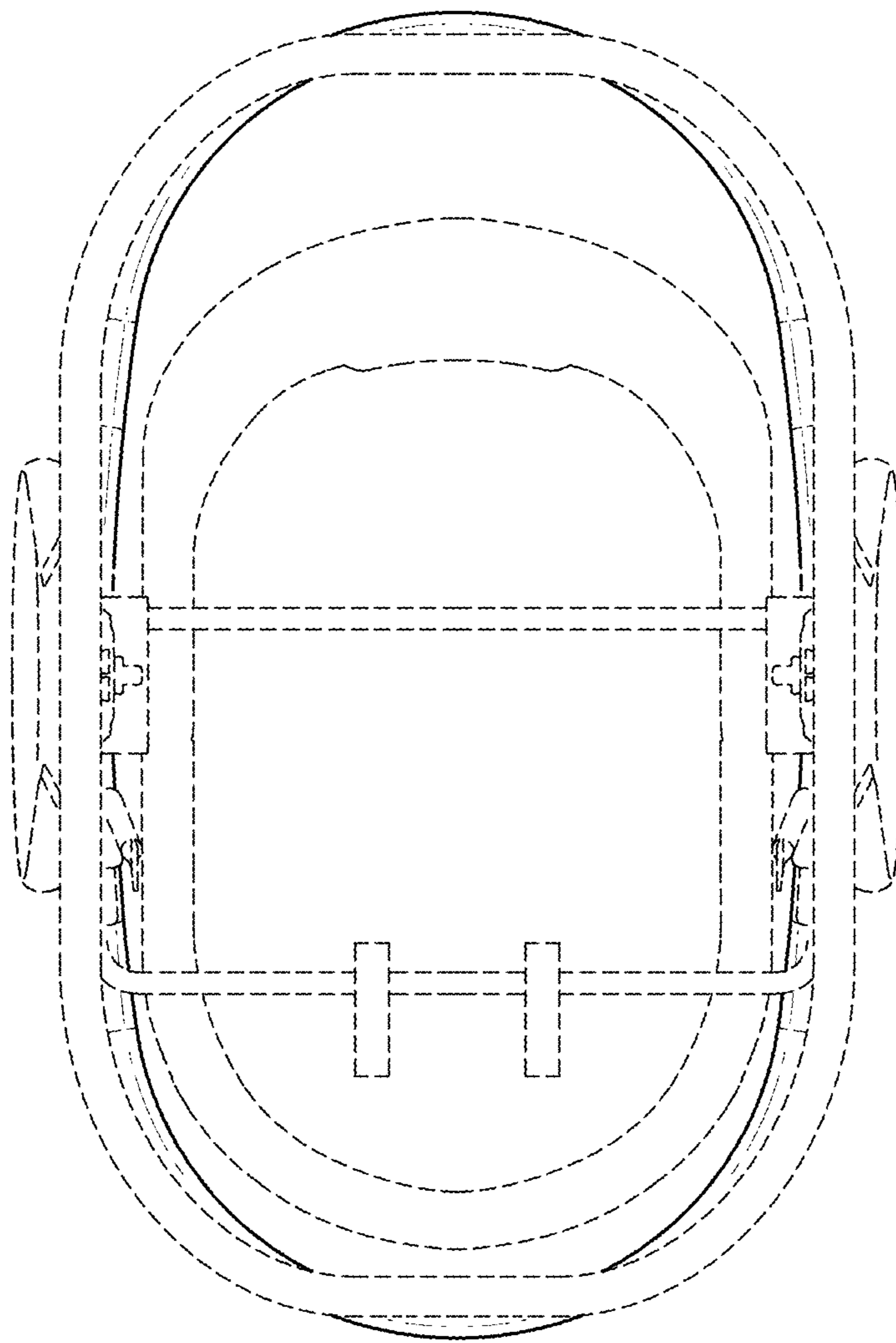


FIG. 12

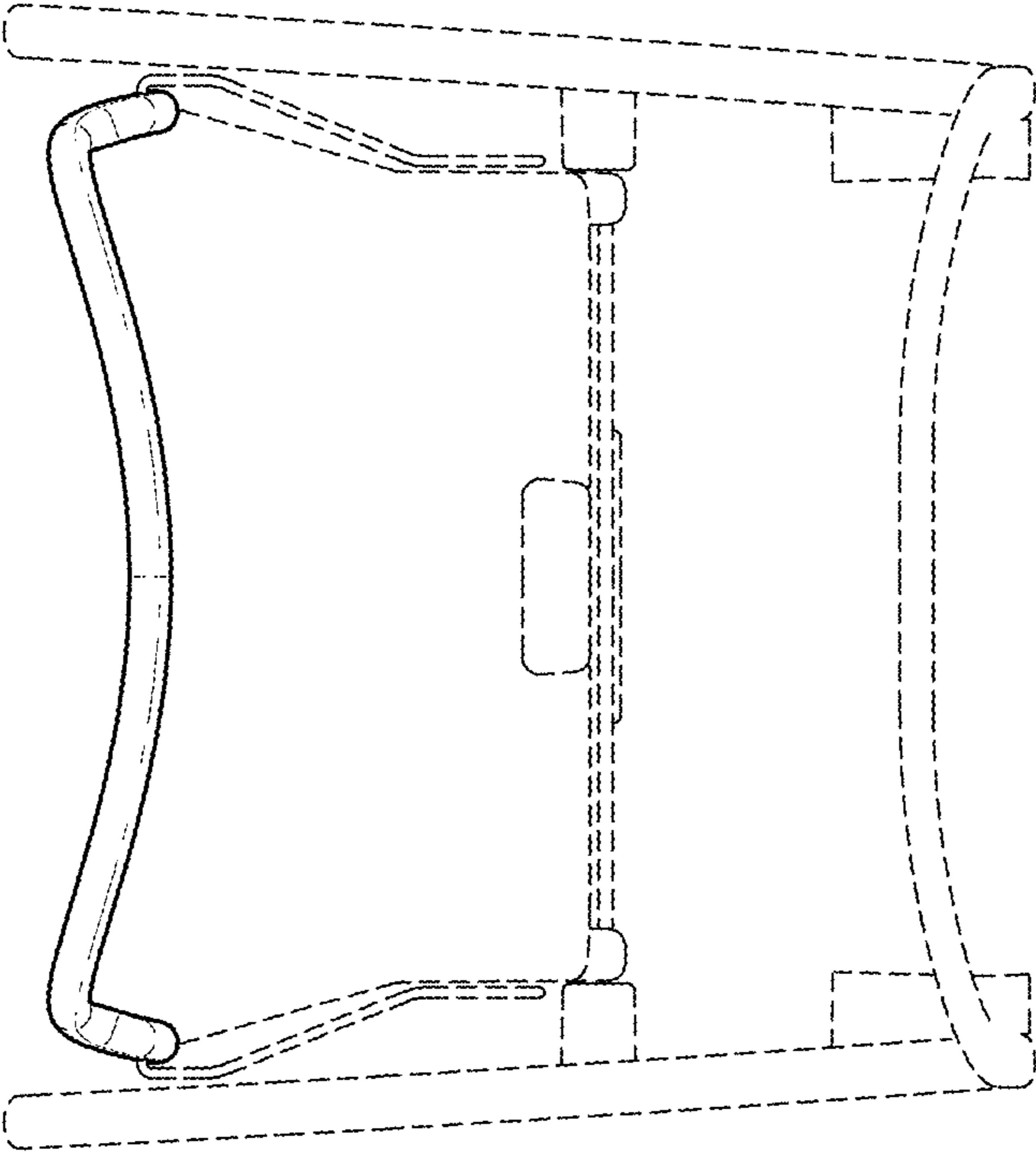


FIG. 13

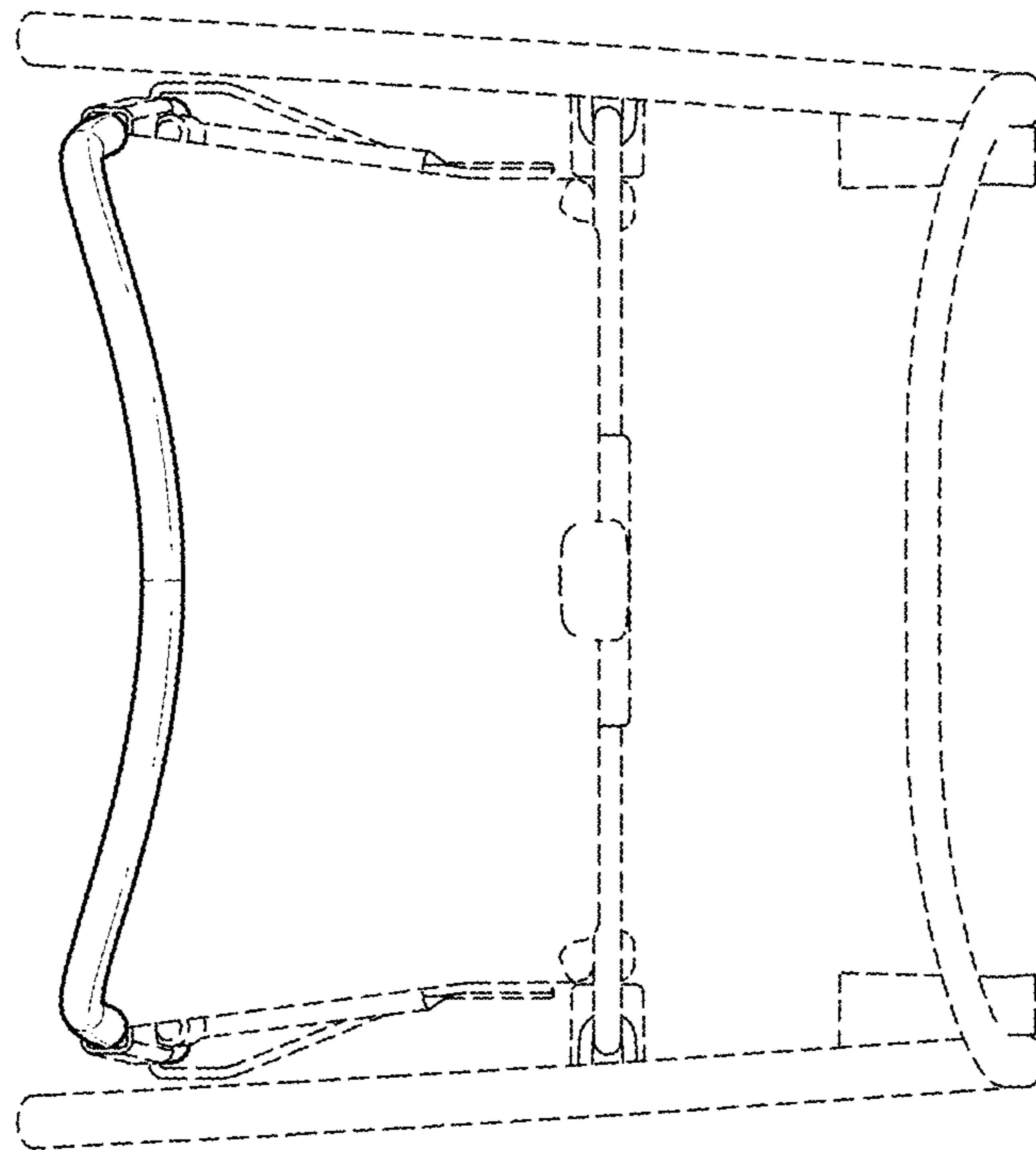


FIG. 14