



US00D751303S

(12) **United States Design Patent**
Musi Navarro

(10) **Patent No.:** **US D751,303 S**
(45) **Date of Patent:** **** Mar. 15, 2016**

- (54) **FRAME**
- (71) Applicant: **David Alberto Musi Navarro**, Garcia (MX)
- (72) Inventor: **David Alberto Musi Navarro**, Garcia (MX)
- (**) Term: **14 Years**
- (21) Appl. No.: **29/481,548**
- (22) Filed: **Feb. 6, 2014**

Related U.S. Application Data

- (63) Continuation-in-part of application No. 29/415,607, filed on Mar. 13, 2012, now abandoned.
- (51) **LOC (10) Cl.** **06-07**
- (52) **U.S. Cl.**
USPC **D6/300**
- (58) **Field of Classification Search**
USPC D6/300-14, 568, 664.1; 40/700, 735, 40/744, 721, 745-747, 768, 777-779, 790, 40/798; 359/838
CPC A47G 1/08; A47G 1/02; A47G 2200/08; A45D 42/10; F21V 33/004
See application file for complete search history.

(56) **References Cited**

U.S. PATENT DOCUMENTS

D24,474 S *	7/1895	Smirl et al.	D6/300
D37,219 S *	11/1904	Benza	D6/300
D38,780 S *	9/1907	Smirl et al.	D6/300
3,823,499 A *	7/1974	Gilbert	40/741
3,936,968 A *	2/1976	Gilbert	40/783
5,579,596 A *	12/1996	Kovacs et al.	40/739
D722,263 S *	2/2015	Musi Navarro	D9/424

OTHER PUBLICATIONS

Mooseo, available Jul. 18, 2012, [online], [site visited Mar. 4, 2015]. Available from internet, <URL: <https://trademarks.justia.com/856/80/mooseo-85680949.html>>.*

Clover Mirror, available Sep. 13, 2013, [online], [site visited Mar. 4, 2015]. Available from internet, <URL: http://www.target.com/p/threshold-clover-mirror-gold/-/A-14639952#prodSlot=_1_2>.*
TMTOMH Personalized Frame, available Mar. 18, 2014, [online], [site visited Mar. 4, 2015], Available from internet, <URL: <http://too-much-time.com/2014/03/personalized-frames-with-mod-podge-rocks-stencils.html>>.*
DIY Painted Frame, available Jul. 4, 2012, [online], [site visited Mar. 4, 2015], Available from internet, <URL: <http://www.sheknows.com/living/articles/962227/easy-diy-painted-frame>>.*
Scallop Edged Frame, available Mar. 25, 2014, [online], [site visited Mar. 4, 2015], Available from internet, <URL: <http://www.johnlewis.com/decopatch-flat-scallop-edged-photo-frame/p231896713>>.*
Bead Frame, available Dec. 13, 2012, [online], [site visited Mar. 4, 2015], Available from internet, <URL: <http://www.firemountaingems.com/itemdetails/h207222mb>>.*

* cited by examiner

Primary Examiner — Cathron Brooks
Assistant Examiner — Teddy Falloway
(74) *Attorney, Agent, or Firm* — Shannon L Warren

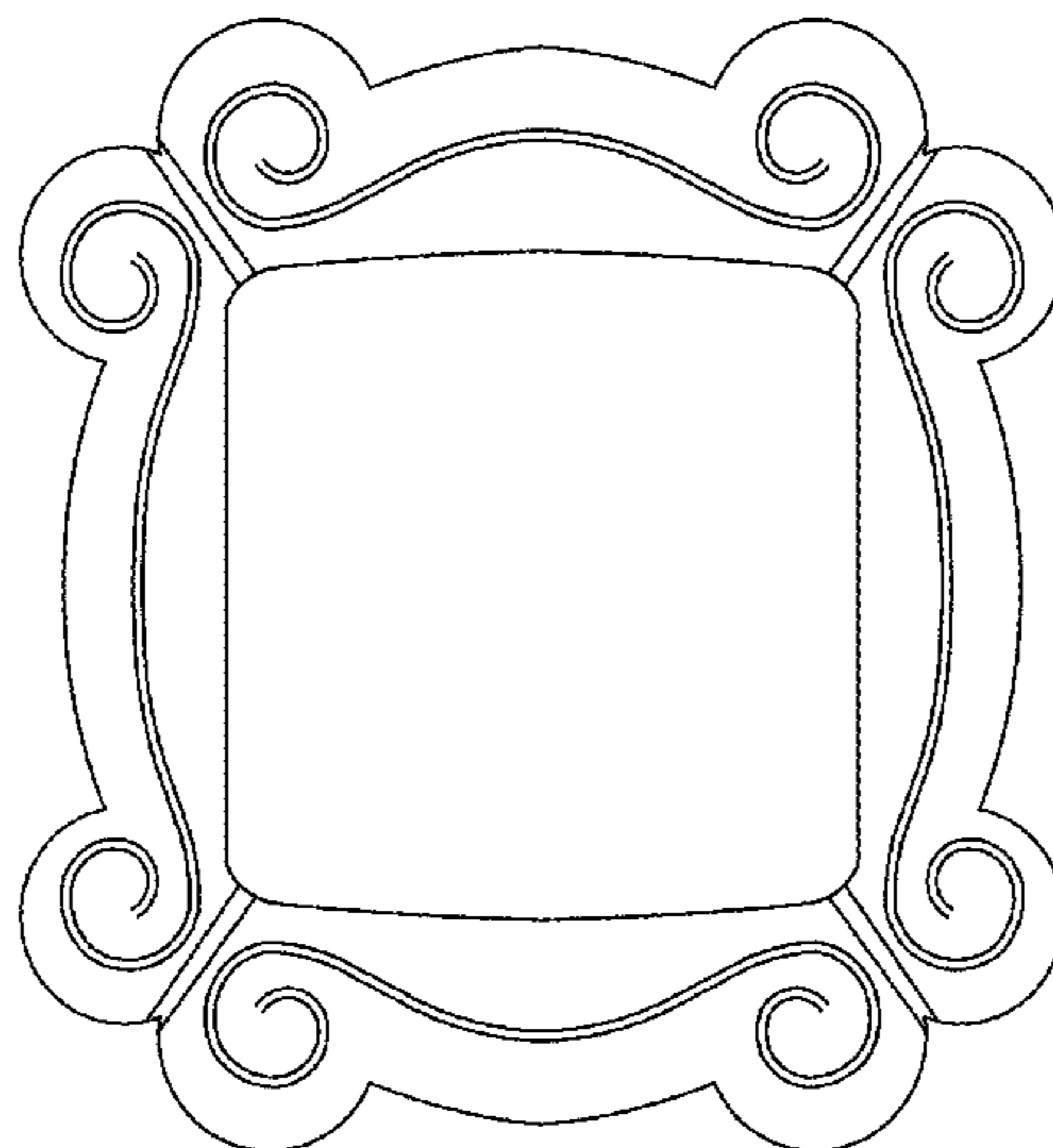
(57) **CLAIM**

The ornamental design for a frame, as shown and described.

DESCRIPTION

FIG. 1 is a top view of my new design for a frame;
FIG. 2 is a first side view thereof;
FIG. 3 is a front view thereof;
FIG. 4 is a second side view thereof;
FIG. 5 is a bottom view thereof;
FIG. 6 is a back side view thereof;
FIG. 7 is a perspective front view thereof, with a dashed line call out identifying a portion of the frame which will be illustrated in detail in FIG. 9;
FIG. 8 is a perspective back view thereof;
FIG. 9 is an enlarged partial view of FIG. 7;
FIG. 10 is an enlarged detail view of FIG. 9; and,
FIG. 11 is a further enlarged view of FIG. 9.
Only one corner of the frame has been shown in detail, however, all four corners are symmetrical, as illustrated.

1 Claim, 6 Drawing Sheets



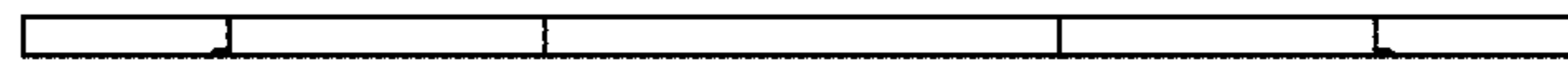


FIG. 1

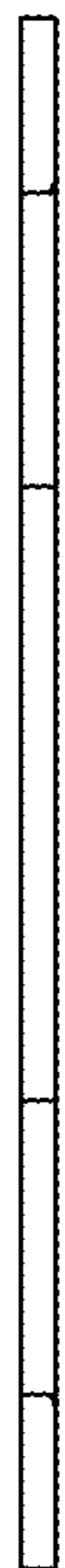


FIG. 2

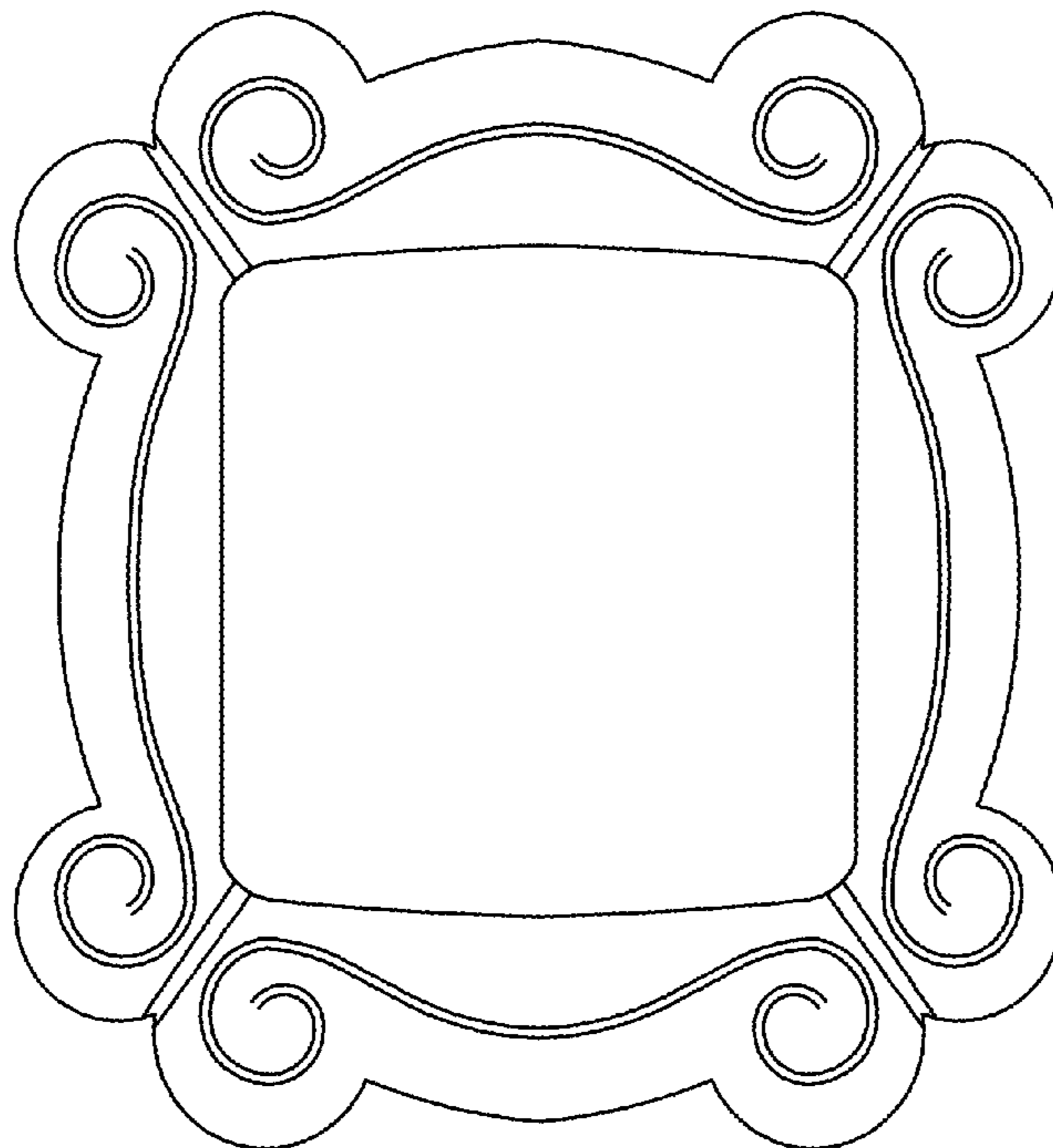


FIG. 3



FIG. 4

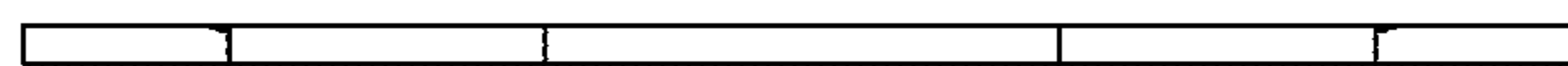


FIG. 5

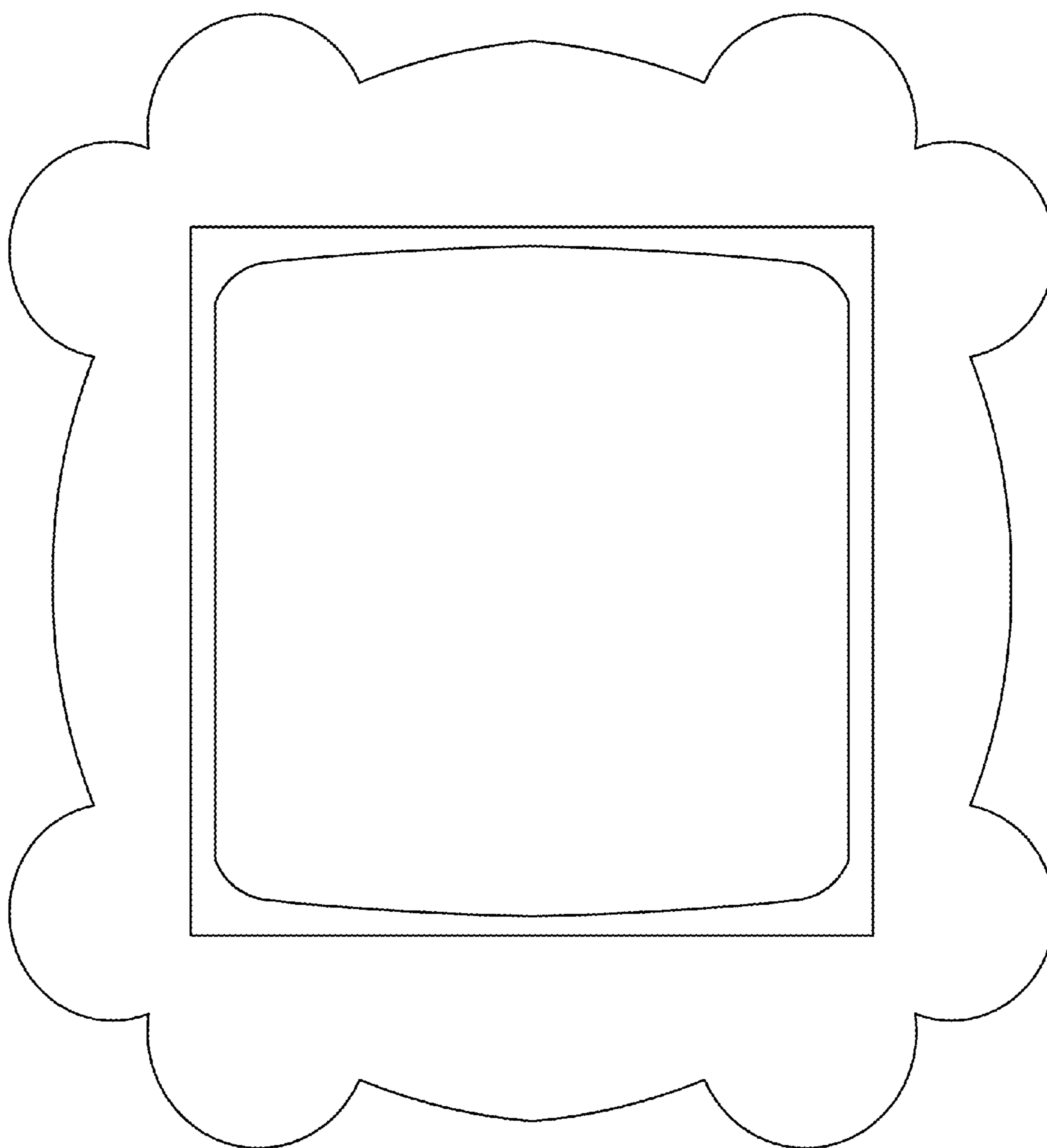


FIG. 6

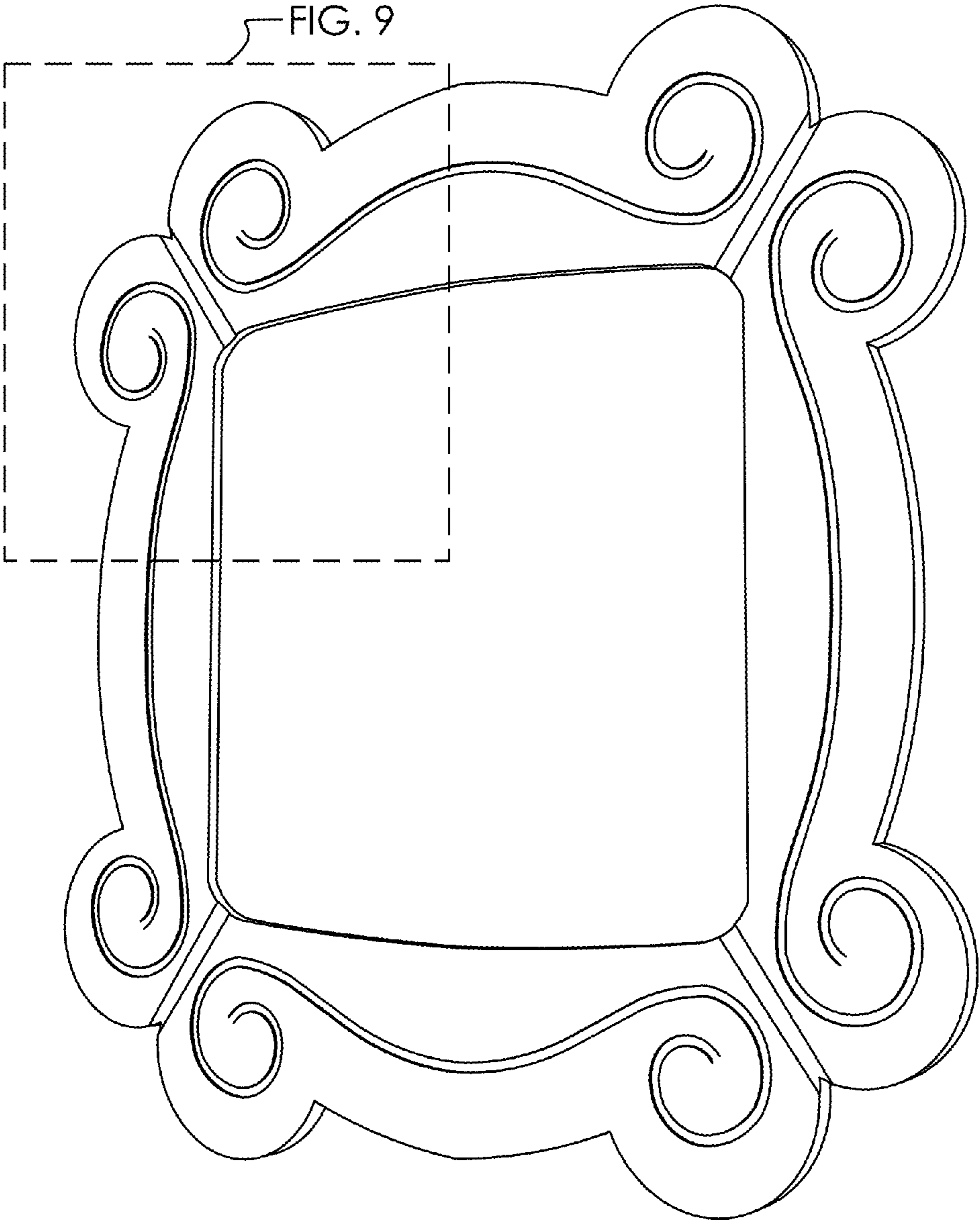


FIG. 7

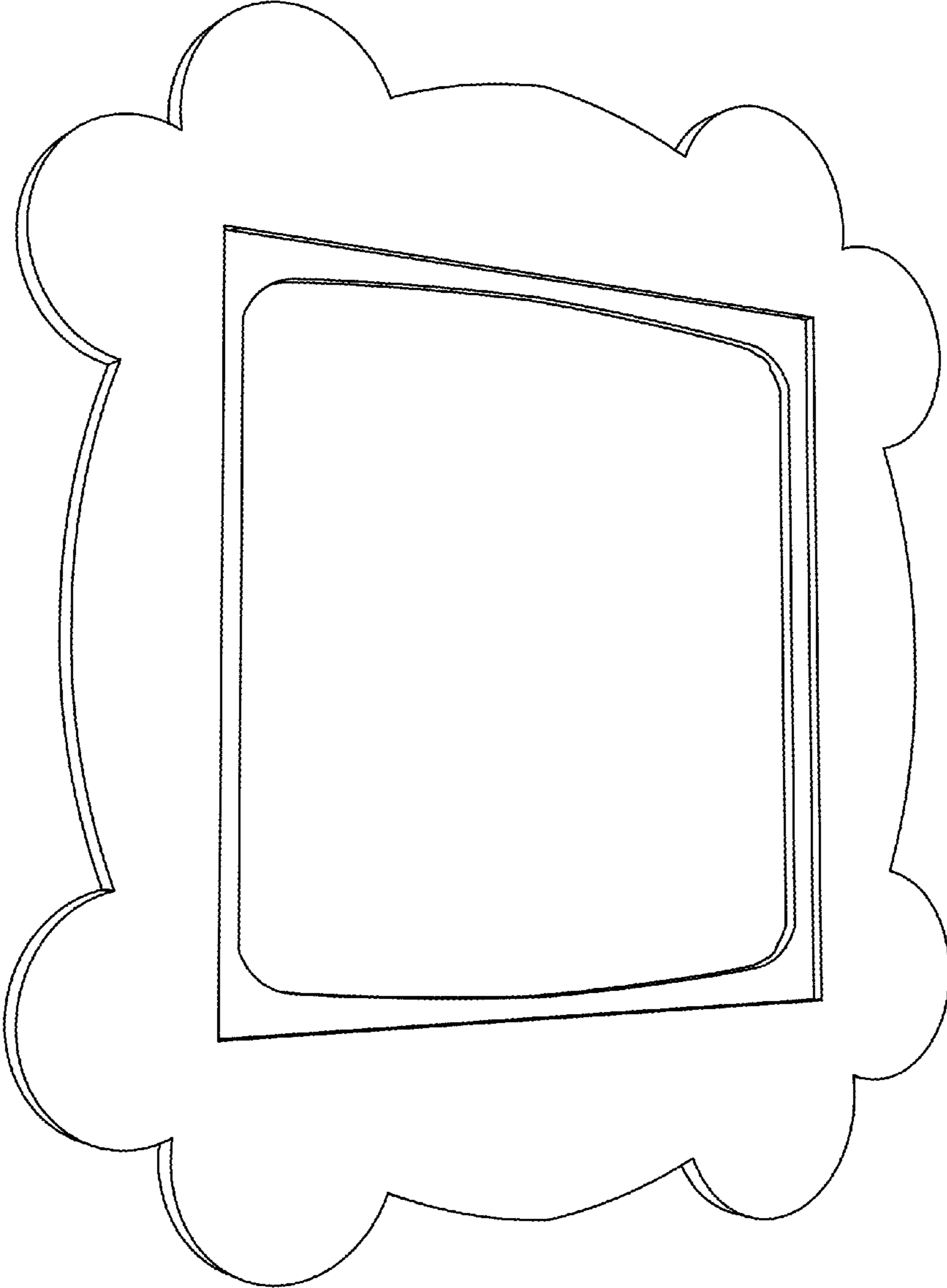


FIG. 8

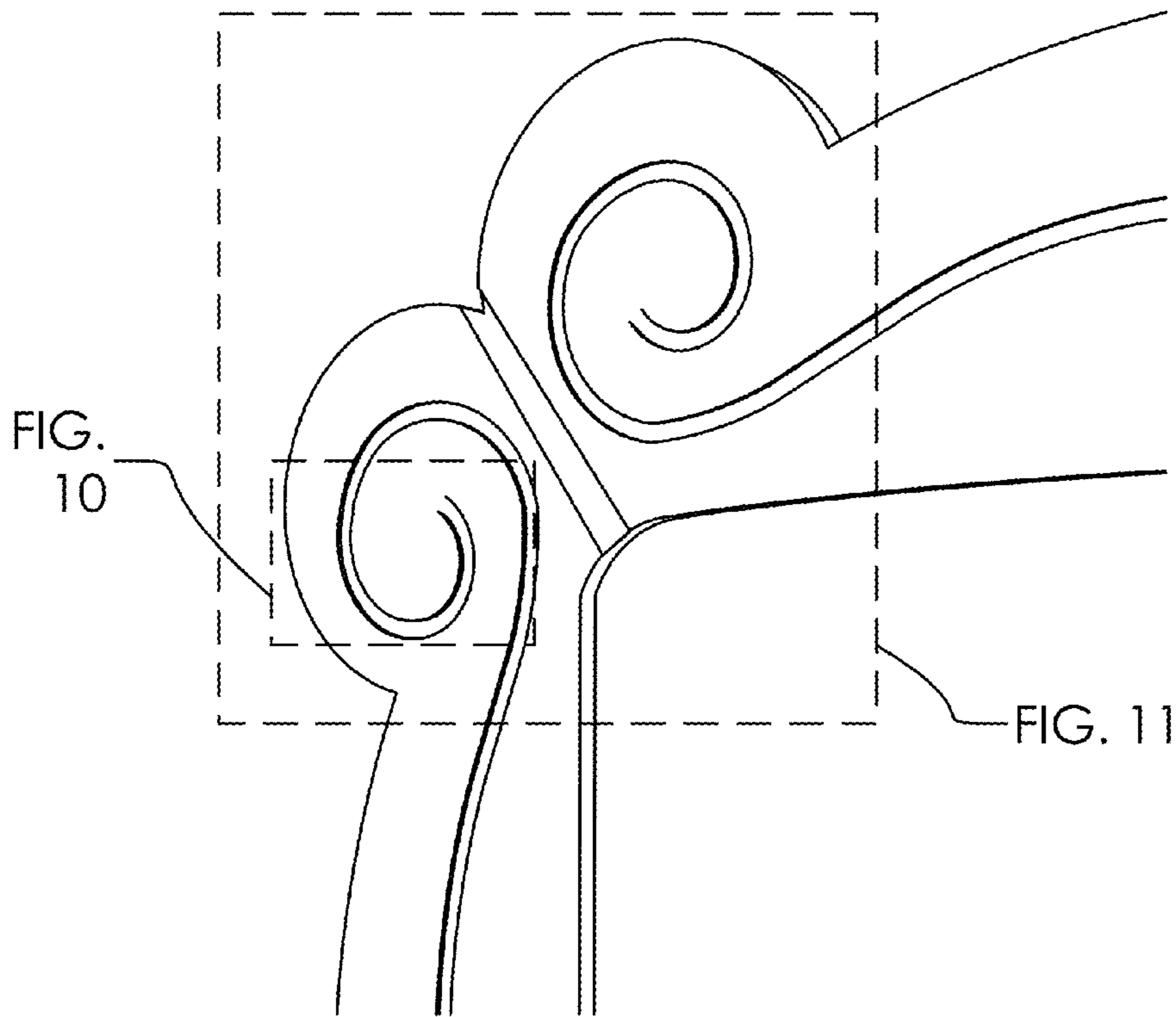


FIG. 9

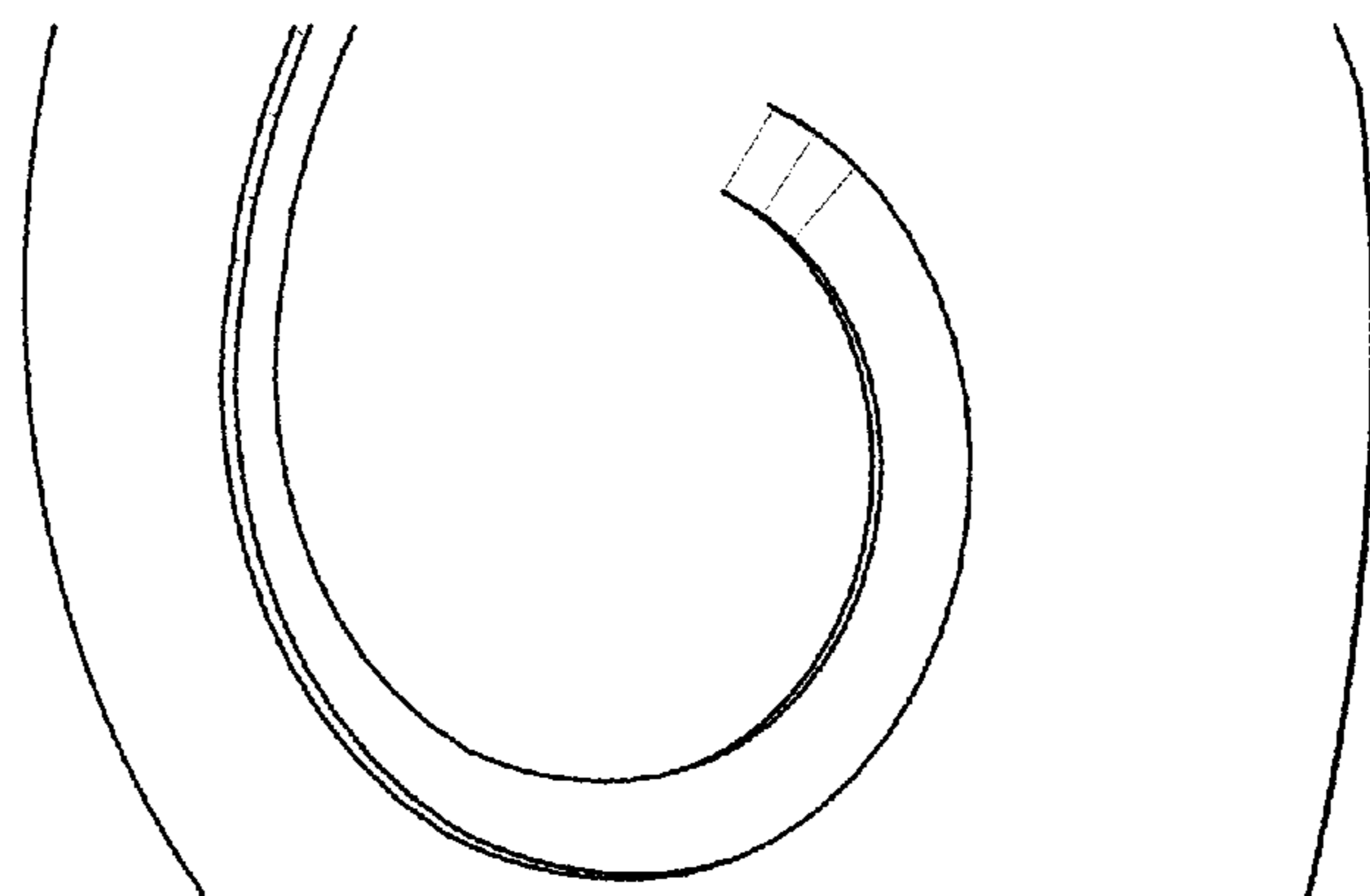


FIG. 10

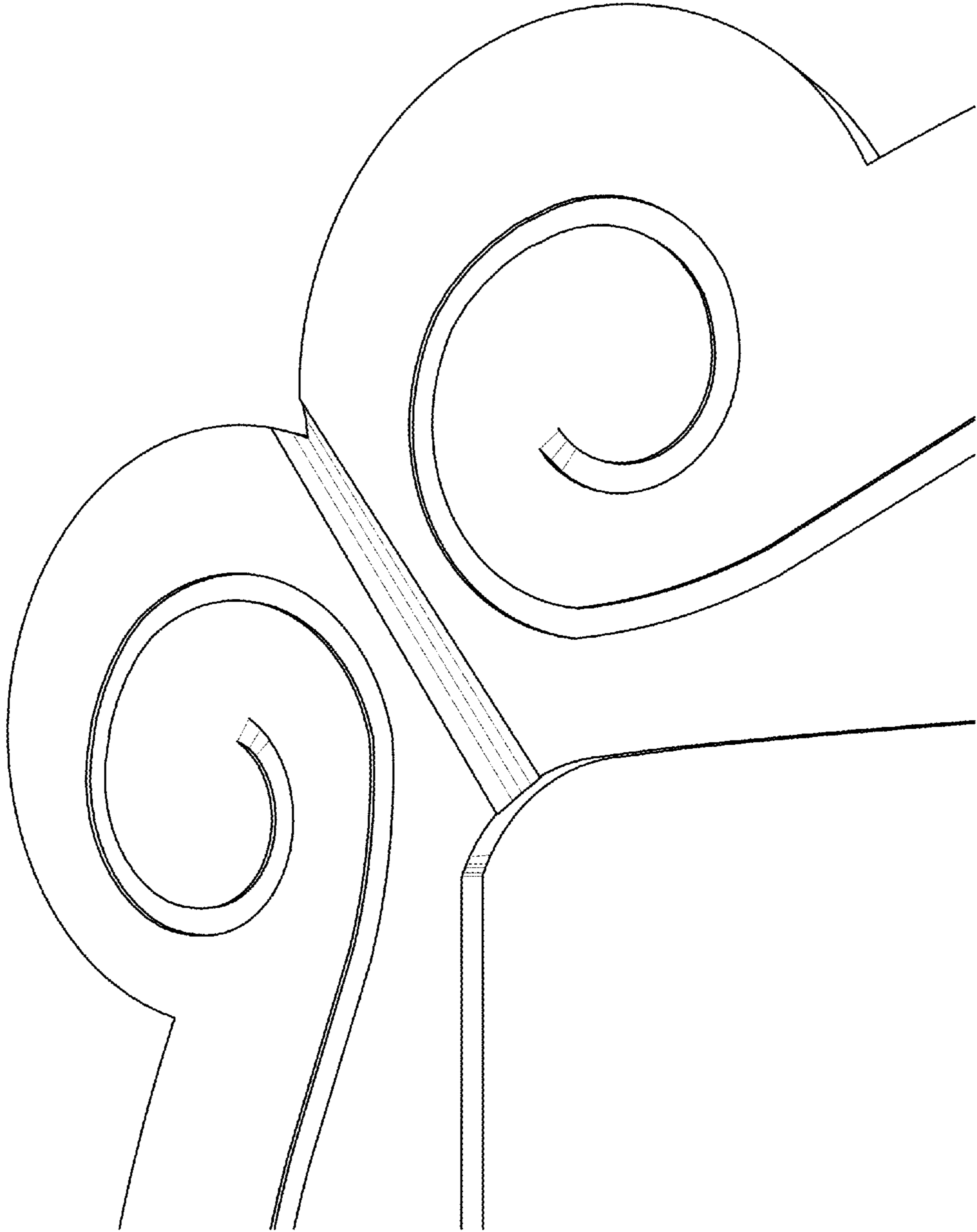


FIG. 11