



US00D751292S

(12) **United States Design Patent**
Couzyn

(10) **Patent No.:** **US D751,292 S**
(45) **Date of Patent:** **** Mar. 15, 2016**

- (54) **STRAP**
- (71) Applicant: **Rhys James Couzyn, Ballito (ZA)**
- (72) Inventor: **Rhys James Couzyn, Ballito (ZA)**
- (**) Term: **14 Years**
- (21) Appl. No.: **29/436,281**
- (22) Filed: **Nov. 2, 2012**
- (51) **LOC (10) Cl.** **03-02**
- (52) **U.S. Cl.**
USPC **D3/315**
- (58) **Field of Classification Search**
USPC D3/315, 284, 273, 313, 905, 282, 259;
220/500, 527, 528; 206/372-379;
D9/415; D8/71; 211/70.6; 248/310,
248/312; 340/568.8, 628; 169/51, 73
See application file for complete search history.

| | | | | | |
|--------------|------|---------|-----------------|-------|---------|
| 6,124,796 | A * | 9/2000 | Hincher | | 340/628 |
| 7,650,948 | B2 * | 1/2010 | Rousseau et al. | | 169/51 |
| D650,586 | S * | 12/2011 | Hutcheson | | D3/316 |
| 2007/0209809 | A1 * | 9/2007 | Jacobson et al. | | 169/73 |
| 2009/0250582 | A1 * | 10/2009 | Ziaylek | | 248/312 |

* cited by examiner

Primary Examiner — Susan Bennett Hattan
Assistant Examiner — Charles Hanson
(74) *Attorney, Agent, or Firm* — Young & Thompson

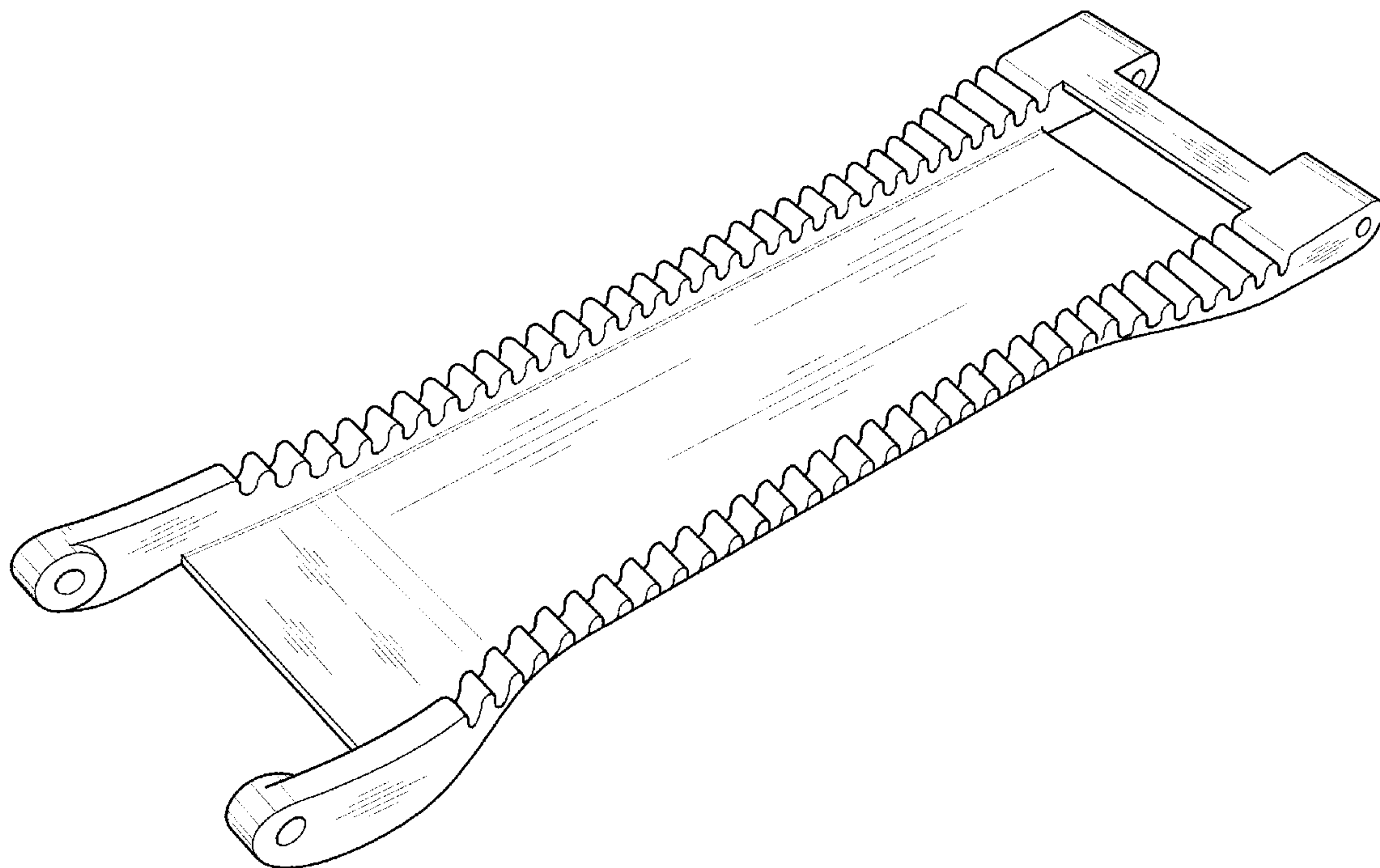
- (56) **References Cited**
U.S. PATENT DOCUMENTS
2,524,639 A * 10/1950 Saunders 294/154
4,270,722 A * 6/1981 Batchelder 248/310
4,360,802 A * 11/1982 Pinto 340/568.8
D273,348 S * 4/1984 Risch et al. D3/259
D280,953 S * 10/1985 Paul D3/316

(57) **CLAIM**
The ornamental design for a strap, as shown and described.

DESCRIPTION

FIG. 1 is a front, side, and bottom perspective view of a strap showing the new design;
FIG. 2 is a front elevation view thereof;
FIG. 3 is a side elevation view thereof;
FIG. 4 is a top plan view thereof;
FIG. 5 is a bottom plan view thereof; and,
FIG. 6 is a cross-sectional view thereof along the line shown at line 6-6 in FIG. 4.
The Figures are shown in different scales.

1 Claim, 6 Drawing Sheets



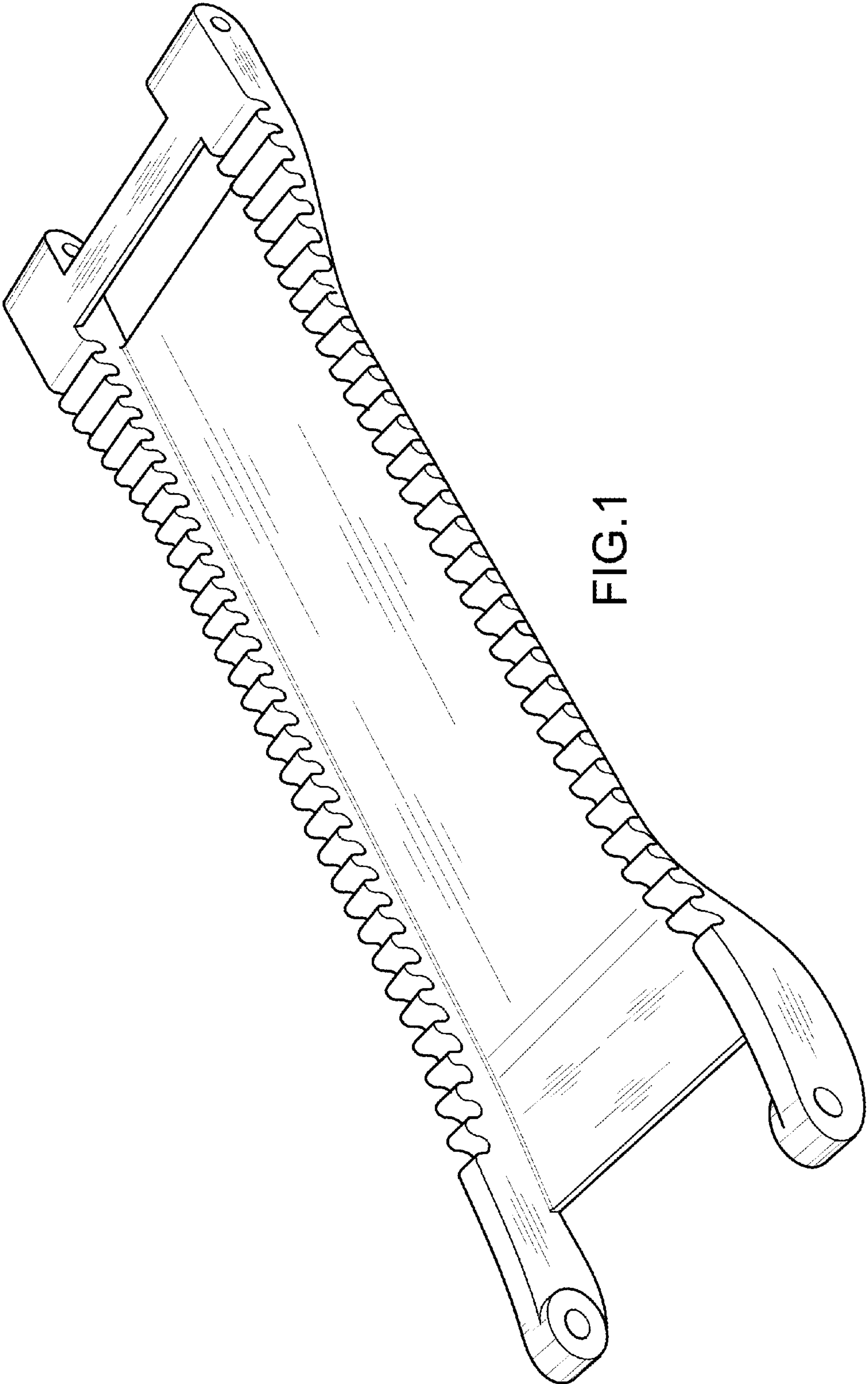


FIG. 1

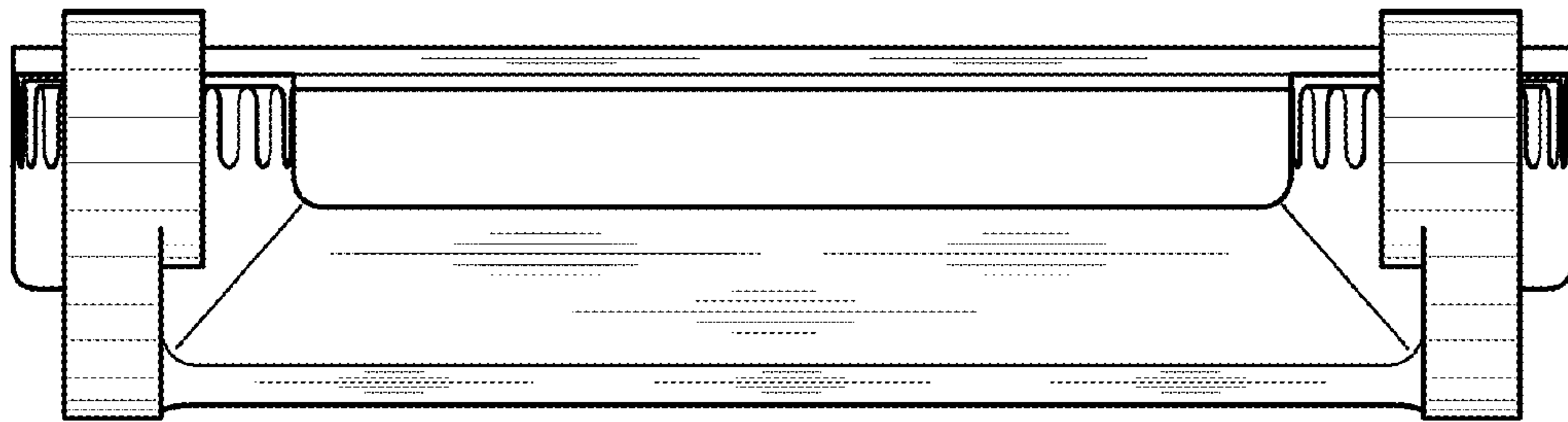


FIG.2

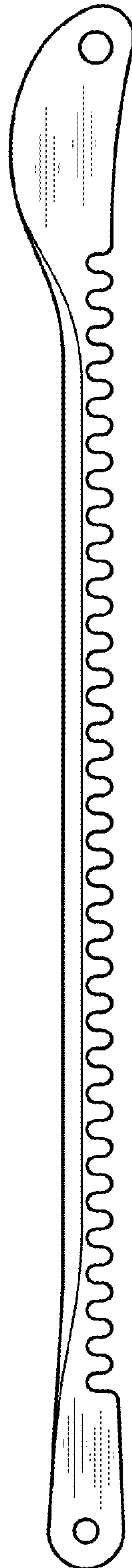


FIG.3

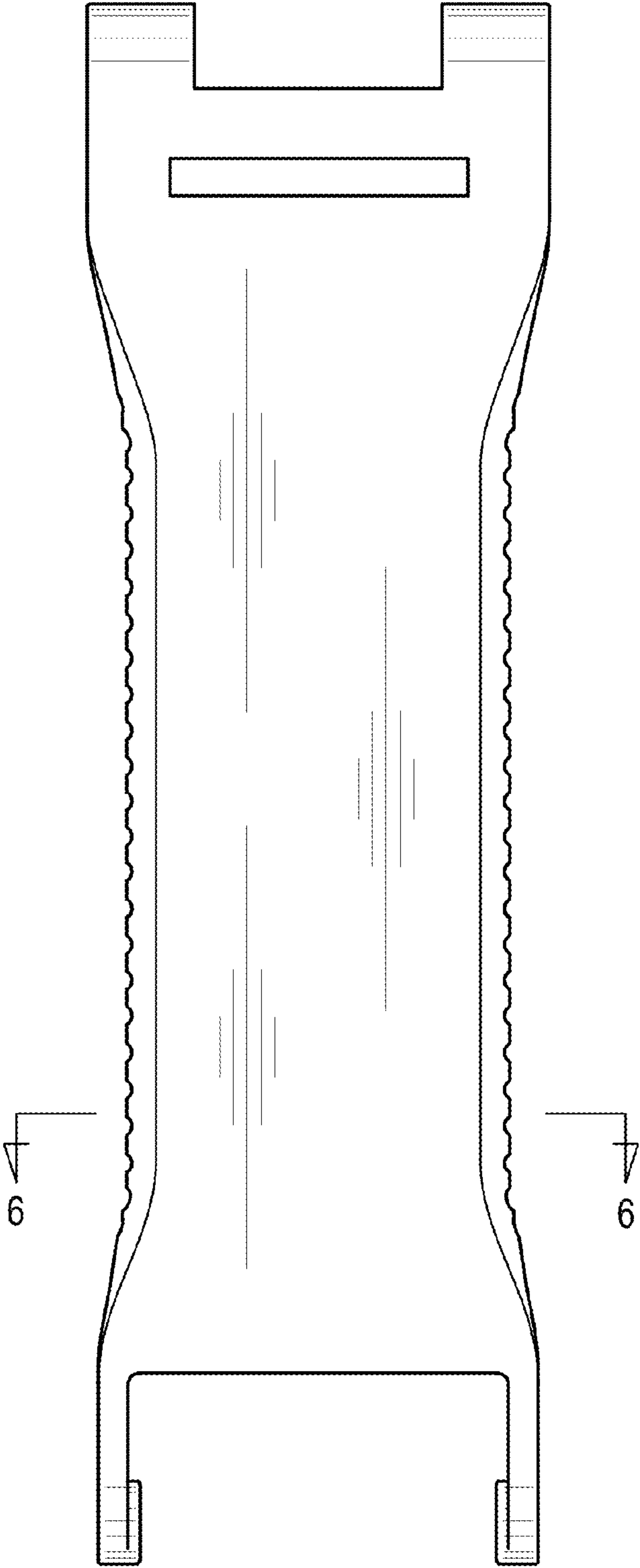


FIG.4

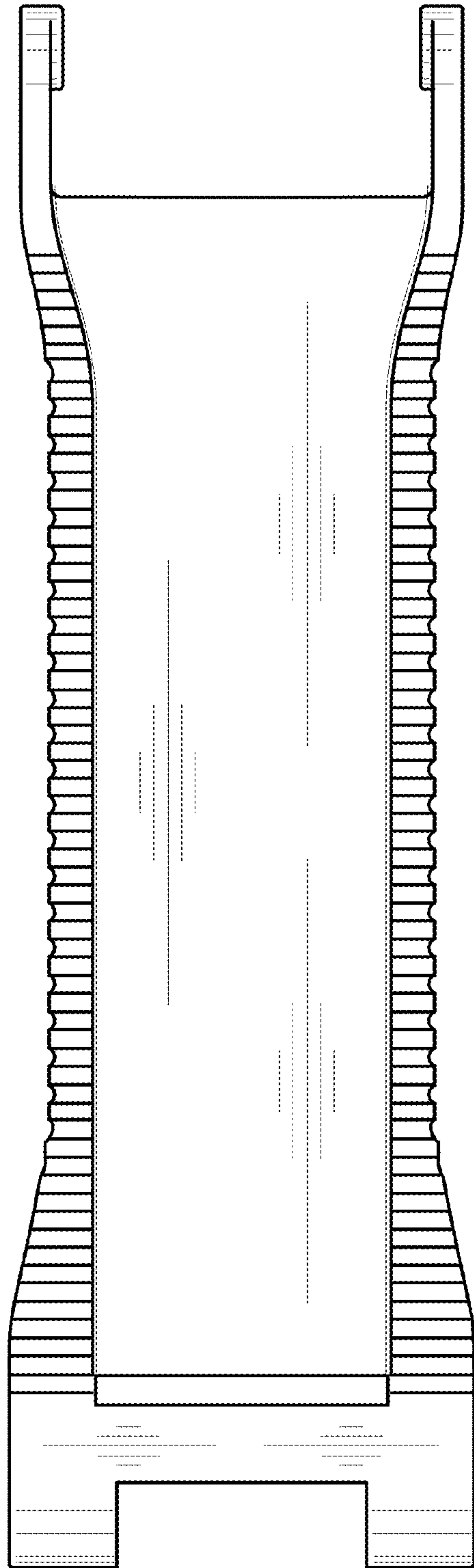


FIG.5

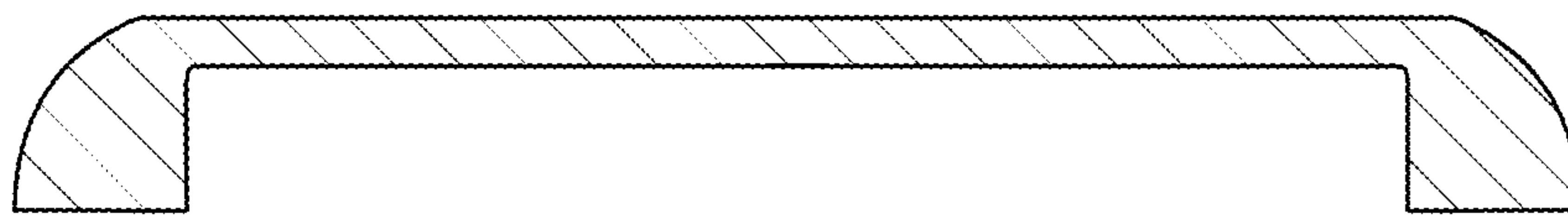


FIG.6