



US00D751291S

(12) **United States Design Patent**
MacNeil et al.

(10) **Patent No.:** **US D751,291 S**
(45) **Date of Patent:** **** Mar. 15, 2016**

- (54) **BOOT TRAY**
- (71) Applicant: **MacNeil IP LLC**, Bolingbrook, IL (US)
- (72) Inventors: **David F. MacNeil**, Hinsdale, IL (US);
Frederick W. Masanek, Jr., Barrington, IL (US)
- (**) Term: **14 Years**
- (21) Appl. No.: **29/515,143**
- (22) Filed: **Jan. 20, 2015**
- (51) **LOC (10) Cl.** **03-01**
- (52) **U.S. Cl.**
USPC **D3/304**
- (58) **Field of Classification Search**
USPC D3/304, 315, 328; D2/642; D7/550.1,
D7/554.3
CPC B65D 1/34; B65D 81/02; B65D 81/3813
See application file for complete search history.

- 6,648,154 B2 * 11/2003 Awalt A47F 7/0071
211/126.1
- D669,685 S * 10/2012 Legreca D3/304
- D733,392 S * 7/2015 Link D2/642
- 2015/0282667 A9* 10/2015 Tingley A21B 3/15
220/573.4

* cited by examiner

Primary Examiner — Kelley Donnelly
(74) *Attorney, Agent, or Firm* — Perkins IP Law Group LLC;
Jefferson Perkins

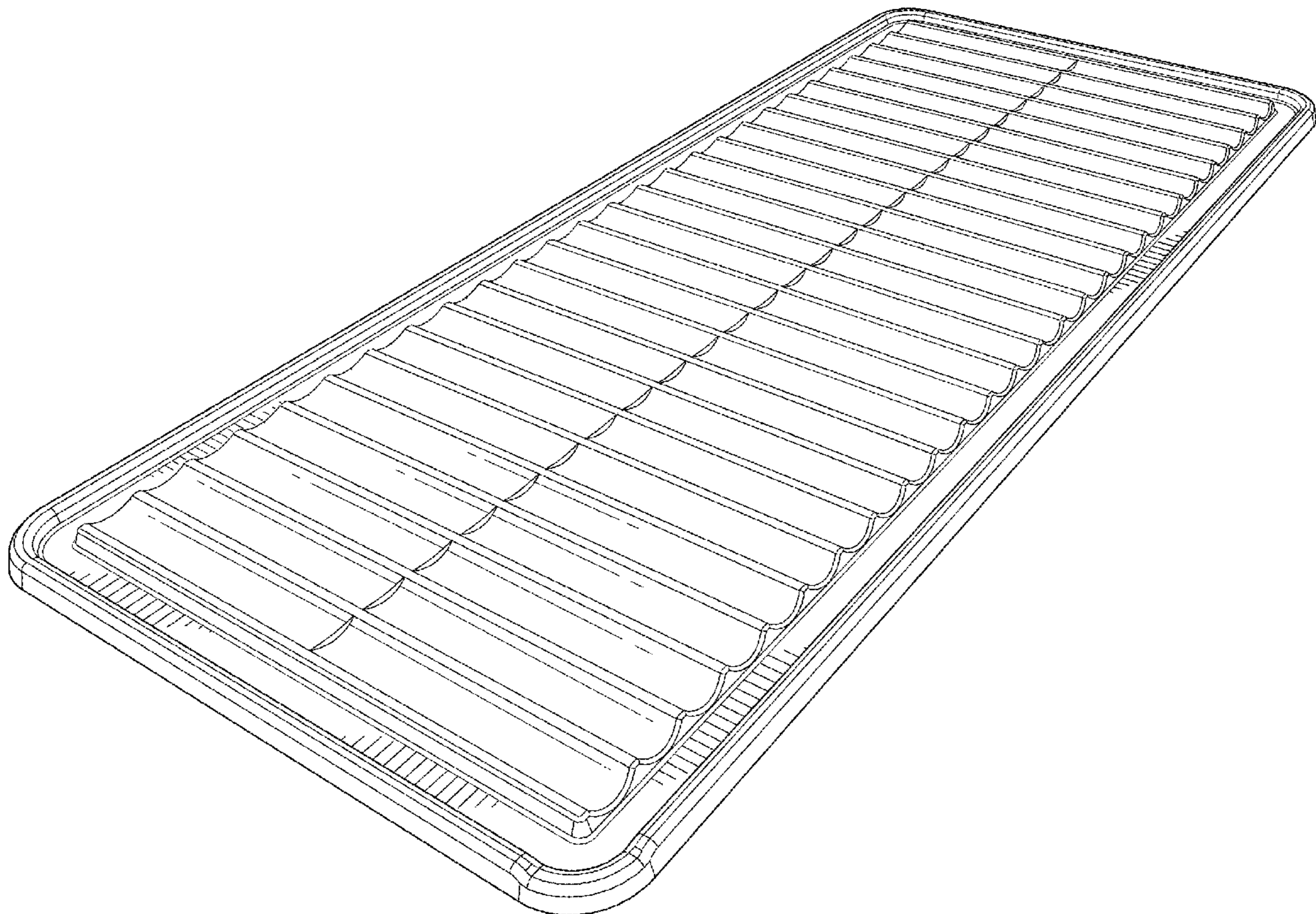
(57) **CLAIM**
We claim a novel design for a boot tray, as shown and described.

DESCRIPTION

FIG. 1 is a top perspective view of the tray;
FIG. 2 is a plan view of the tray;
FIG. 3 is a front view of the tray;
FIG. 4 is a back view of the tray;
FIG. 5 is a left side view of the tray;
FIG. 6 is a right side view of the tray; and,
FIG. 7 is a magnified sectional view taken substantially along
Line 7-7 of FIG. 2.
The bottom surface of the tray is unadorned and forms no
portion of the design.

1 Claim, 3 Drawing Sheets

- (56) **References Cited**
U.S. PATENT DOCUMENTS
D451,347 S * 12/2001 Kleckauskas D7/359
D472,710 S * 4/2003 Dembicks D3/313
D480,736 S * 10/2003 Wright D15/90



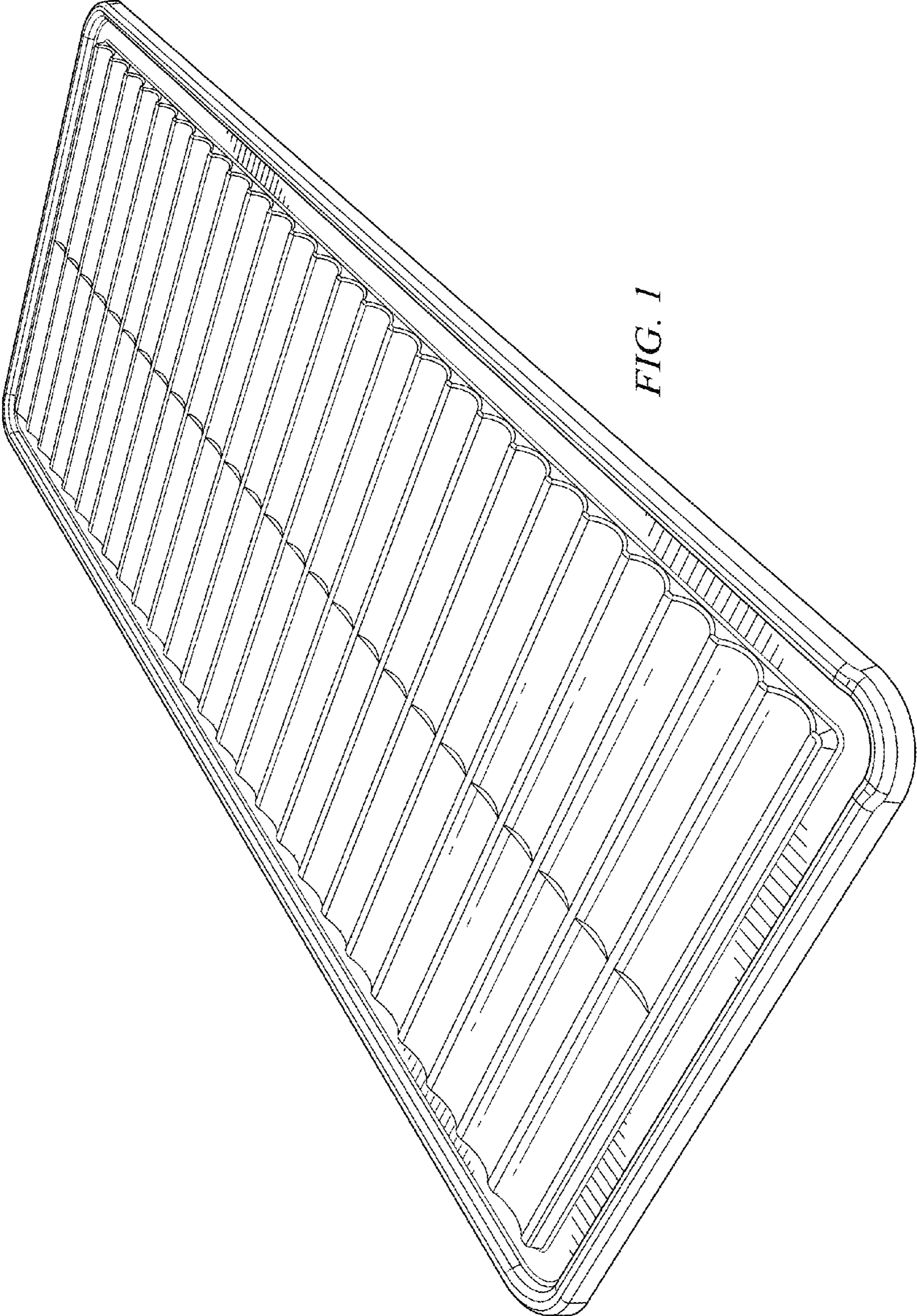


FIG. 1

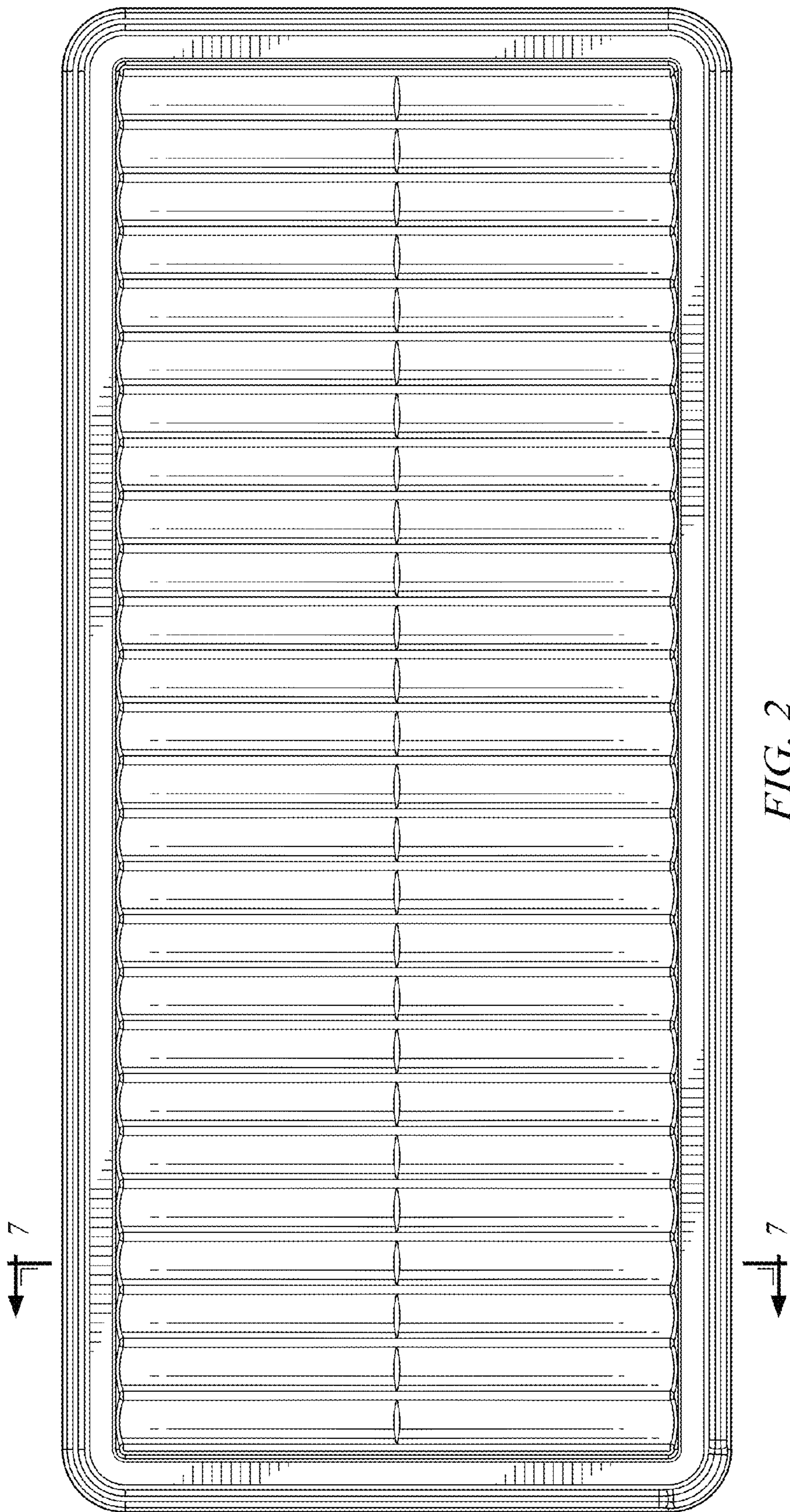


FIG. 2



FIG. 3



FIG. 4



FIG. 5

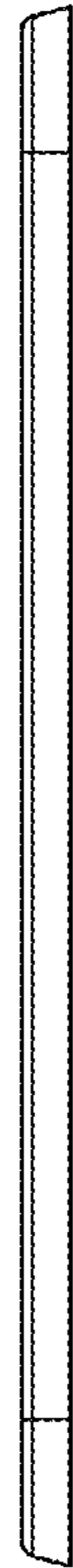


FIG. 6



FIG. 7